



US00D464850S

(12) **United States Design Patent**
Nelson

(10) **Patent No.:** **US D464,850 S**

(45) **Date of Patent:** **** Oct. 29, 2002**

(54) **WATER BOTTLE HOLDER/DISPENSER**

4,317,551 A 3/1982 Bishop

(76) Inventor: **Robert A Nelson**, 98 Princeton Rd.,
South Venice, FL (US) 34293

* cited by examiner

Primary Examiner—Terry A. Wallace

(**) Term: **14 Years**

(57) **CLAIM**

(21) Appl. No.: **29/148,512**

The ornamental design for a water bottle holder/dispenser,
as shown and described.

(22) Filed: **Sep. 21, 2001**

DESCRIPTION

(51) **LOC (7) Cl.** **07-06**

(52) **U.S. Cl.** **D7/621**

(58) **Field of Search** D7/619, 621; 211/81;
248/139–142

FIG. 1 is a front elevational view of the water bottle holder/dispenser of the present invention;
FIG. 2 is a rear elevational view of the water bottle holder/dispenser of FIG. 1;
FIG. 3 is a top plan view of the water bottle holder/dispenser of FIG. 1;

FIG. 4 is a bottom plan view of the water bottle holder/dispenser of FIG. 1; and,

FIG. 5 is a left side elevational of the water bottle holder/dispenser of FIG. 1, the right view being a mirror image thereof.

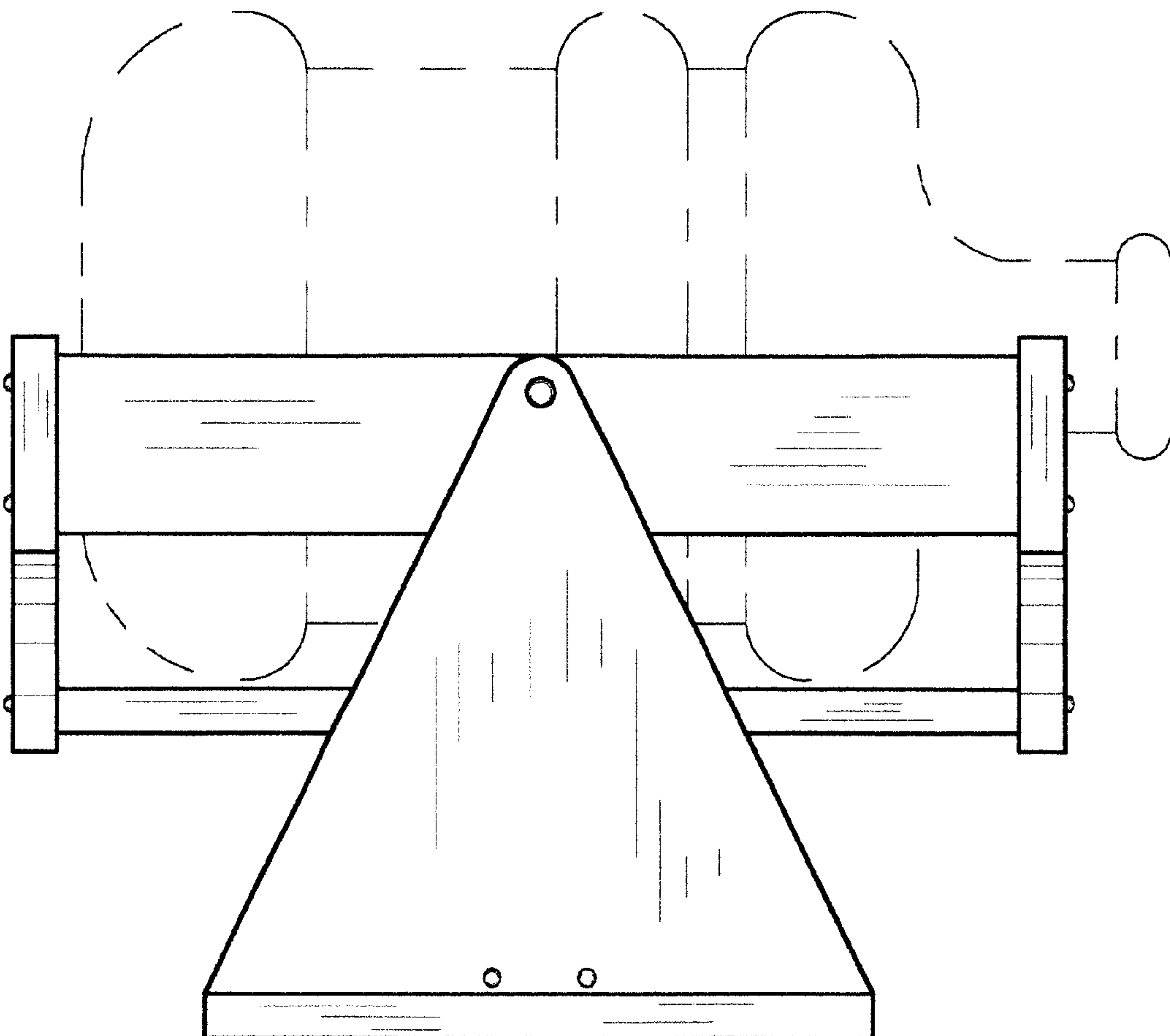
The broken lines are for illustrative purposes only and form no part of the claimed design.

(56) **References Cited**

U.S. PATENT DOCUMENTS

711,339 A	10/1902	Park	
1,742,041 A	12/1929	Mangold	
1,942,741 A	1/1934	Austin	
2,324,747 A	* 7/1943	Weissert	248/142 X
2,470,154 A	5/1949	Fitzgerald	
2,505,723 A	* 4/1950	Rees	248/142
2,807,430 A	* 9/1957	Medlock	248/141 X
D256,649 S	9/1980	Zerowin	

1 Claim, 3 Drawing Sheets



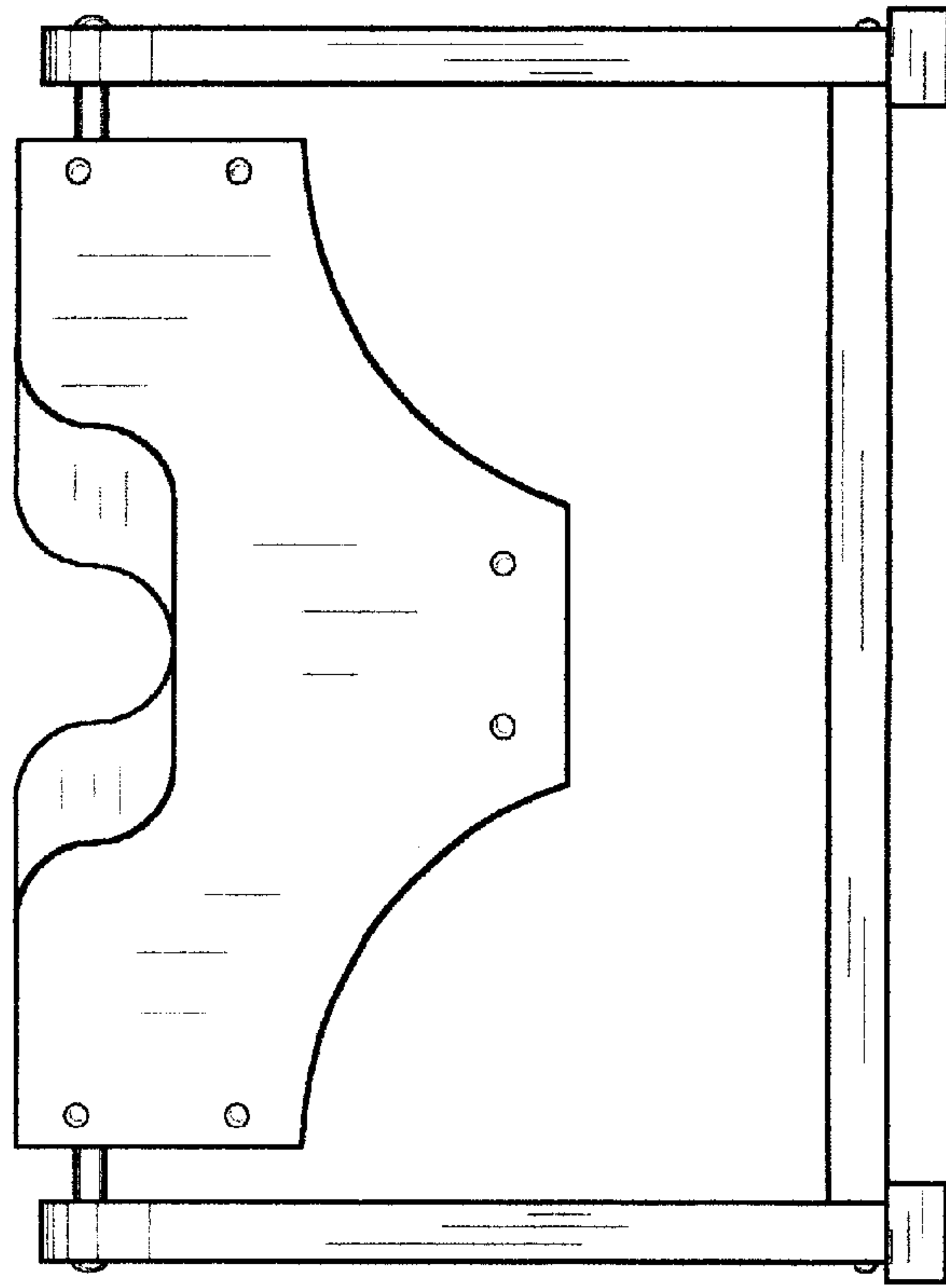


FIG. 1

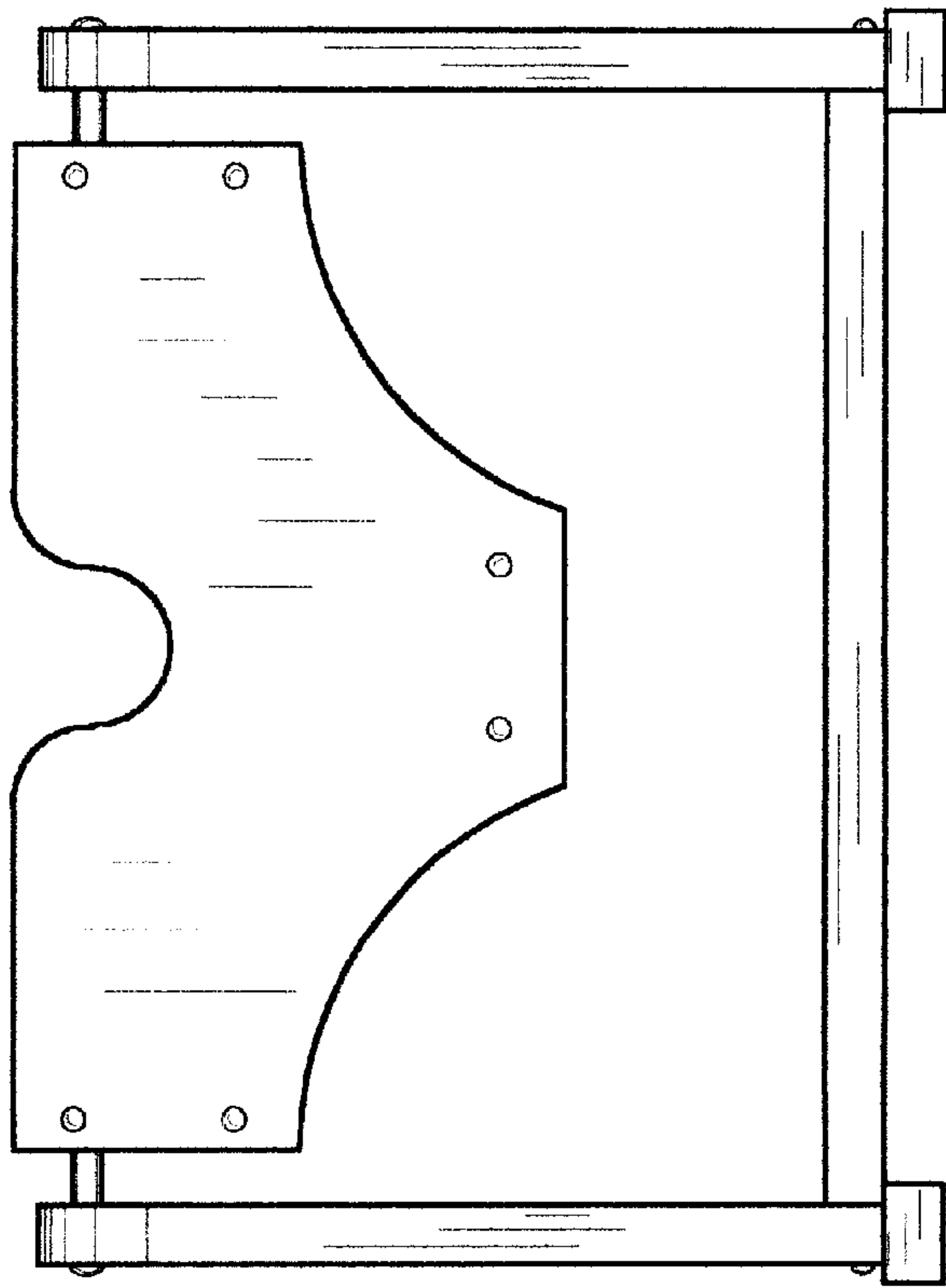


FIG. 2

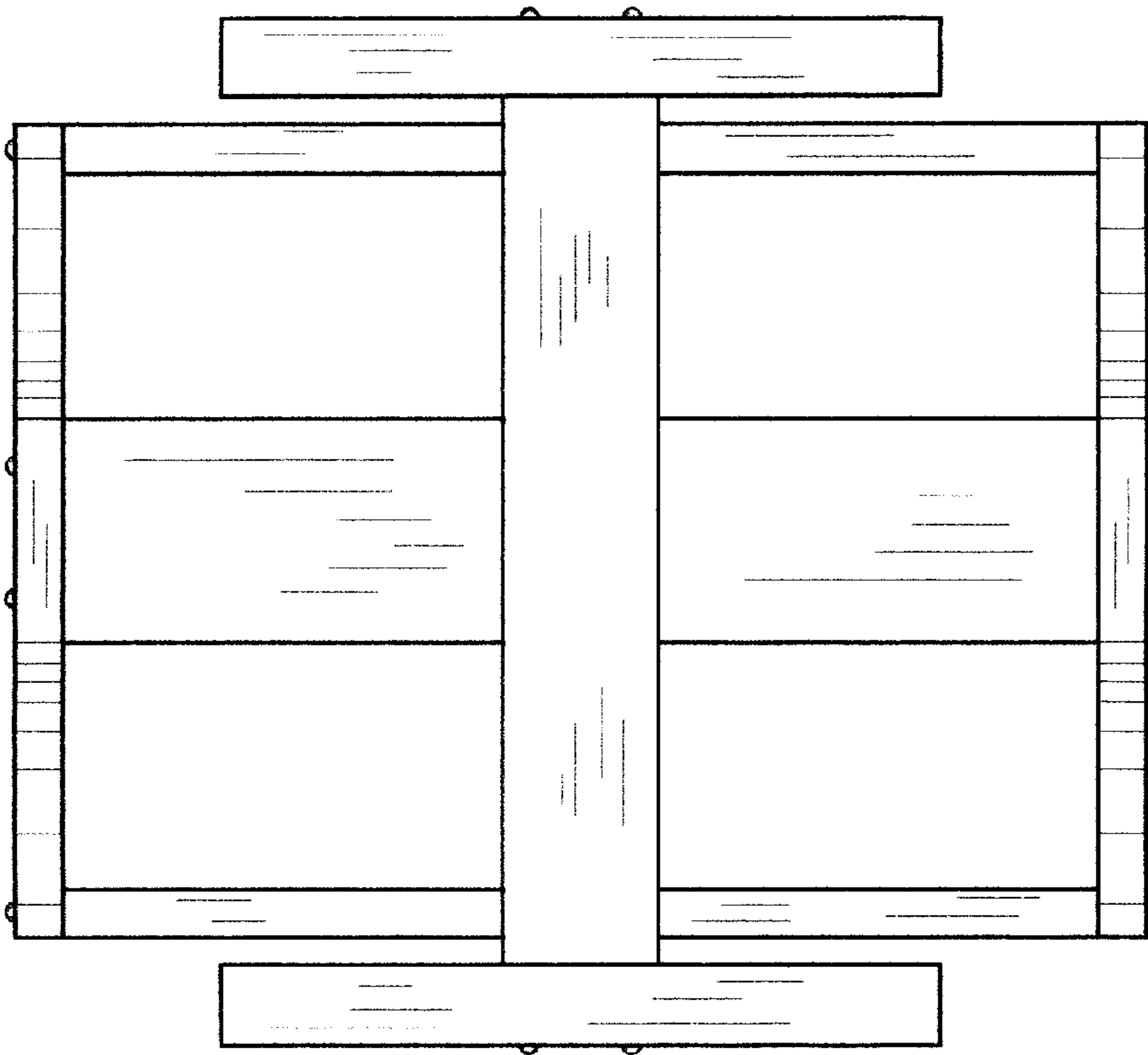


FIG. 4

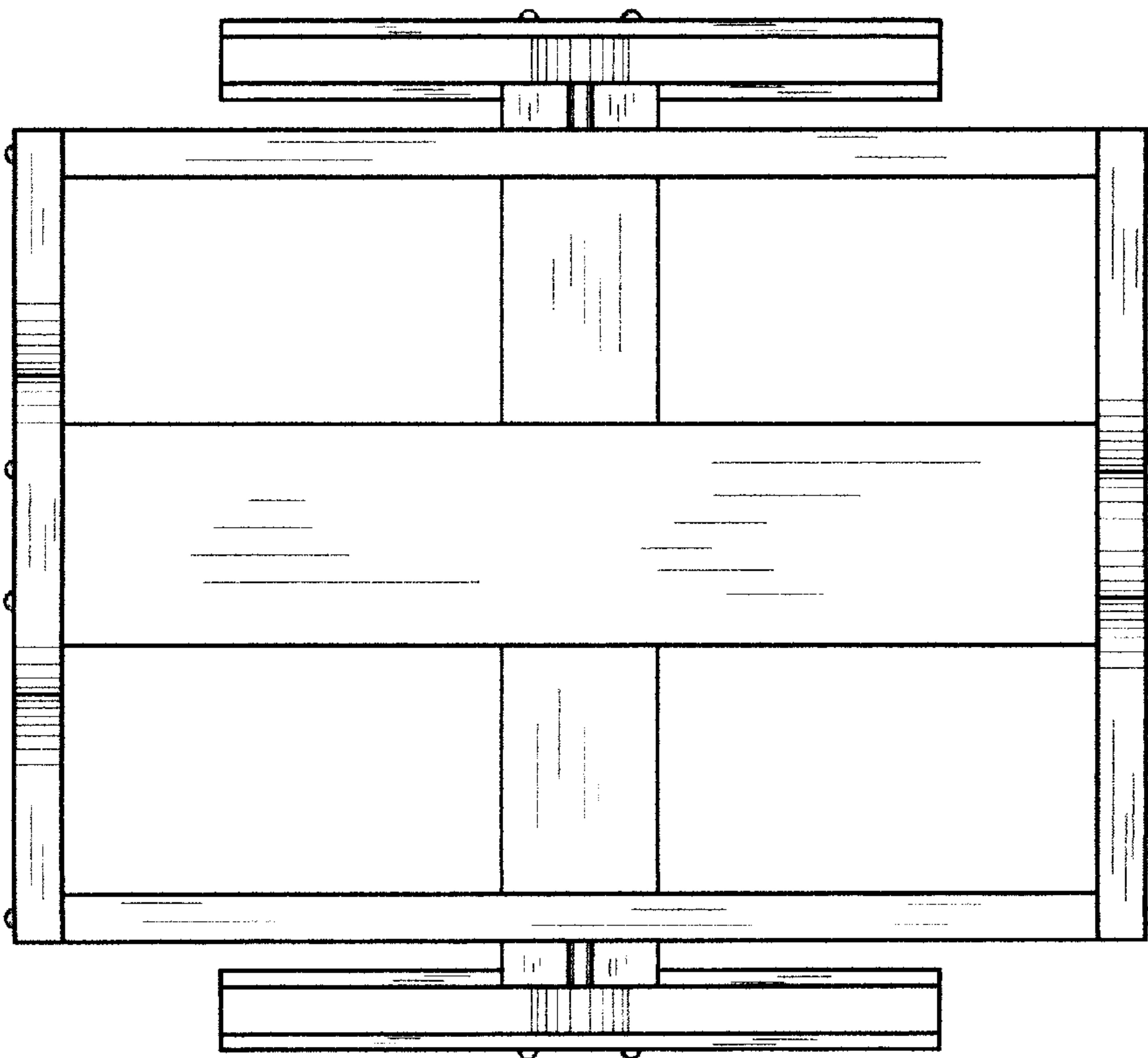


FIG. 3

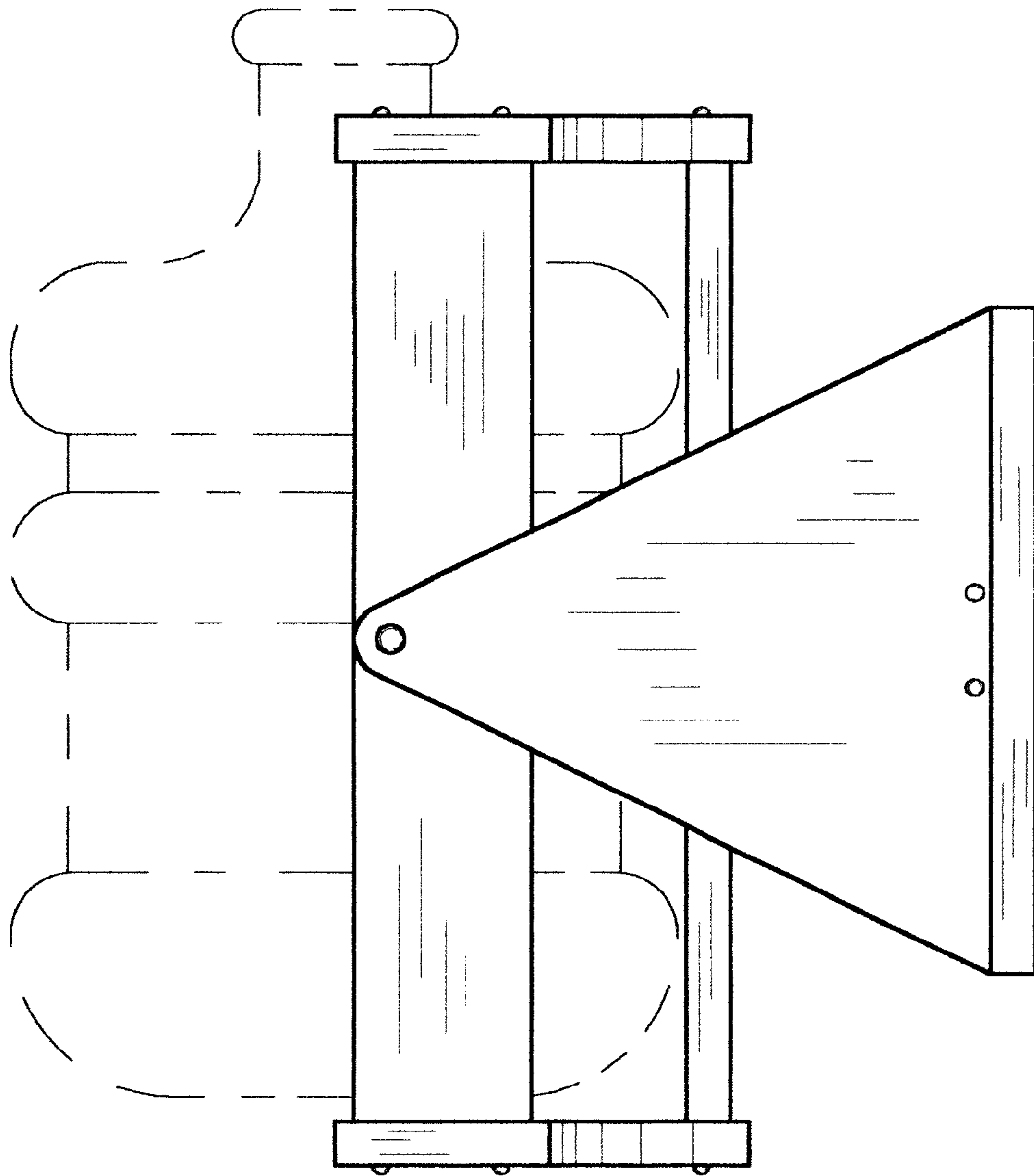


FIG. 5