



US00D464844S

(12) **United States Design Patent**  
**Pai**

(10) **Patent No.:** **US D464,844 S**

(45) **Date of Patent:** **\*\* Oct. 29, 2002**

(54) **ROASTER**

D420,244 S \* 2/2000 Pai ..... D7/332

D436,284 S \* 1/2001 Mak ..... D7/332

D446,678 S \* 8/2001 Pai ..... D7/337

(76) Inventor: **Lucas Pai**, 8 Fl.-2, No. 160, Sec. 1,  
Chung-Kang Rd., Taichung (TW)

\* cited by examiner

(\*\*) Term: **14 Years**

*Primary Examiner*—Ruth McInroy

(21) Appl. No.: **29/151,766**

(74) *Attorney, Agent, or Firm*—Alan Kamrath; Rider,  
Bennett, Egan & Arundel, LLP

(22) Filed: **Dec. 10, 2001**

(57) **CLAIM**

(51) **LOC (7) Cl.** ..... **07-02**

The ornamental design for a roaster, as shown.

(52) **U.S. Cl.** ..... **D7/337**

**DESCRIPTION**

(58) **Field of Search** ..... D7/332, 334–337,  
D7/402–404; 126/25 R, 25 A, 25 AA, 9 R,  
9 B, 29–30, 41 R; 99/421 R, 444

FIG. 1 is a perspective view of a roaster showing my new design;

FIG. 2 is a front elevational view thereof;

FIG. 3 is a rear elevational view thereof;

FIG. 4 is a left side view thereof;

FIG. 5 is a right side view thereof;

FIG. 6 is a top plan view thereof; and,

FIG. 7 is a bottom plain view thereof.

(56) **References Cited**

**U.S. PATENT DOCUMENTS**

D282,619 S \* 2/1986 Fitzgerald et al. .... D7/332

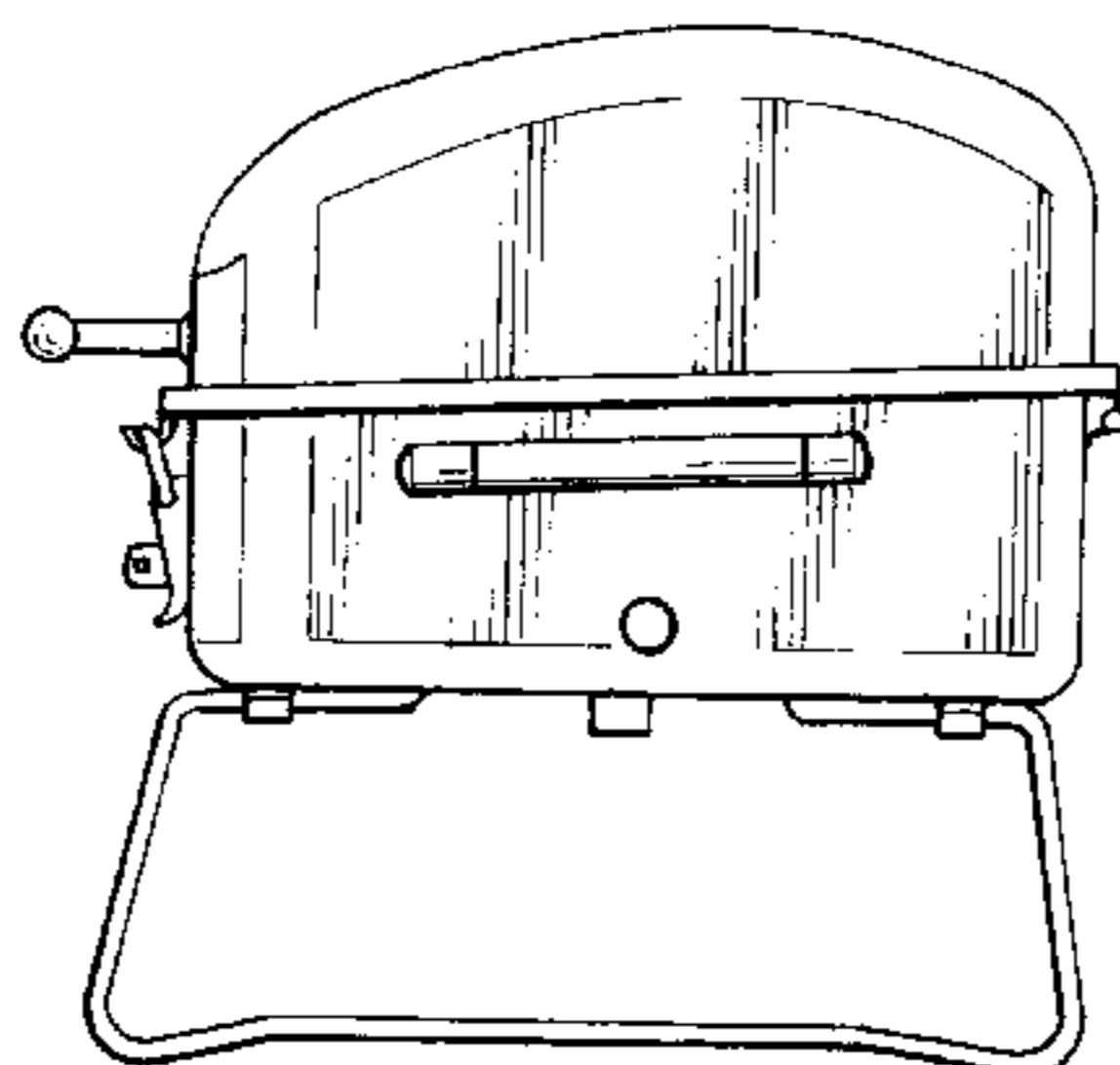
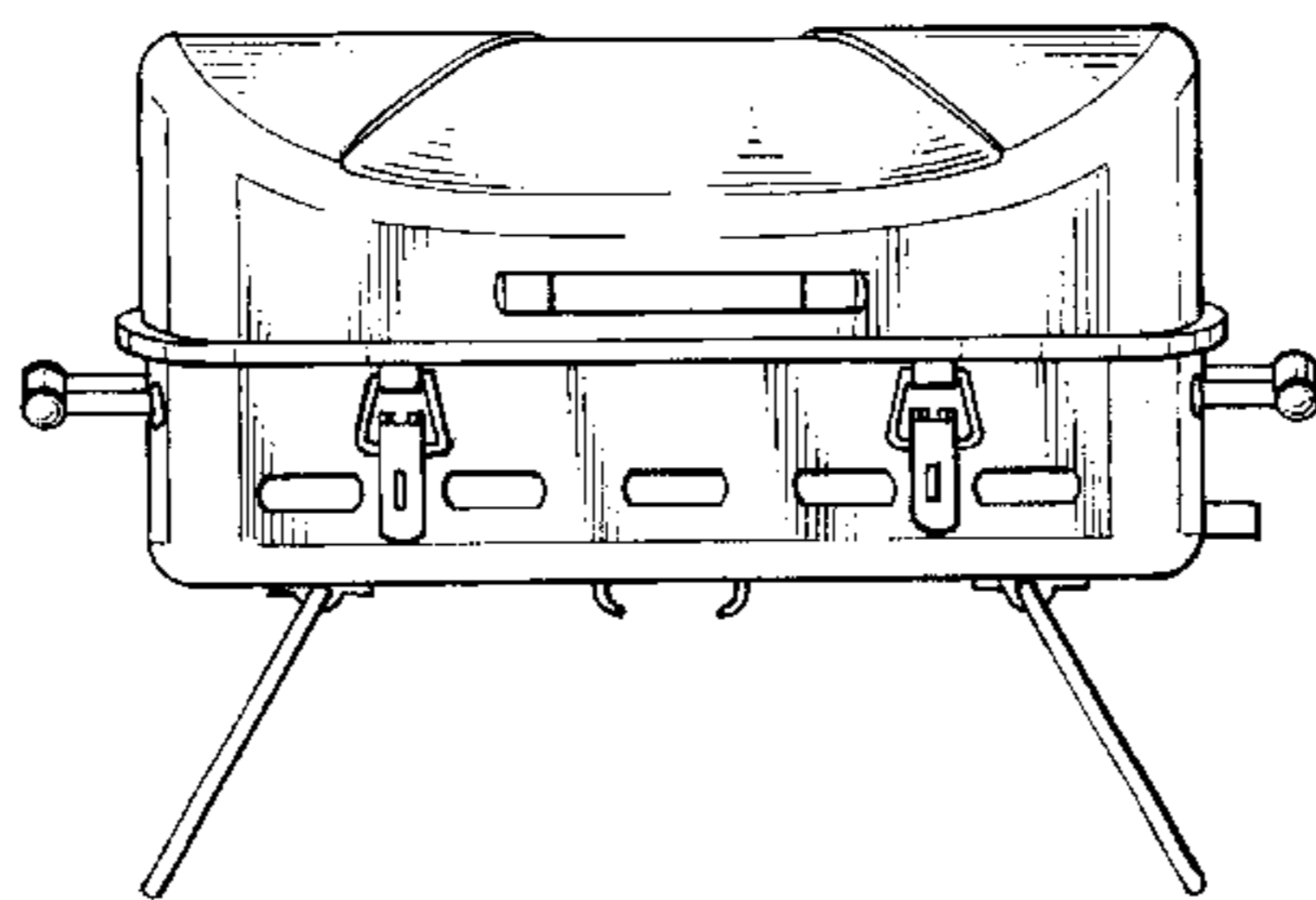
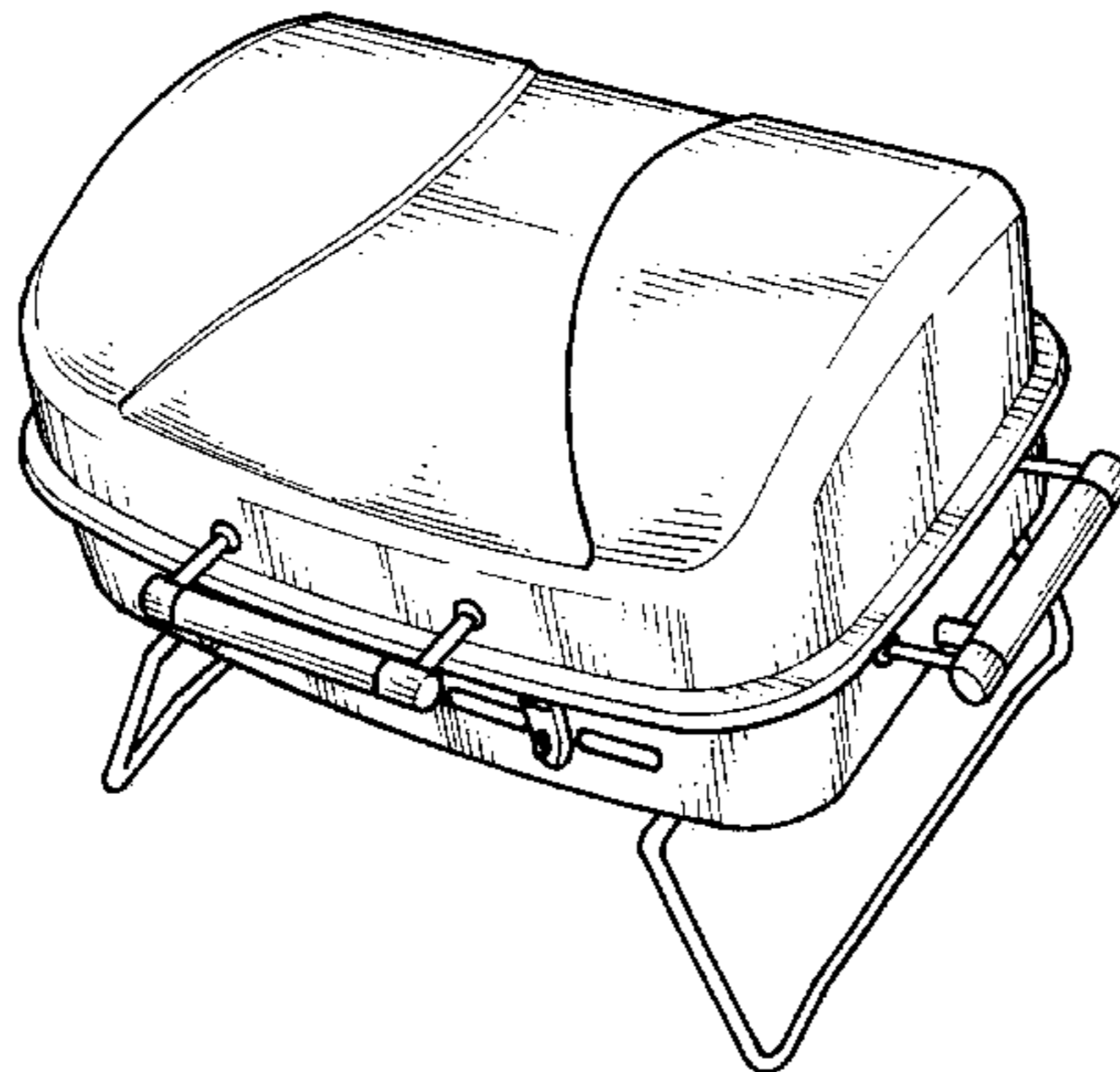
D302,641 S \* 8/1989 Elmburg ..... D7/332

5,394,590 A \* 3/1995 Yu ..... 16/357

5,499,573 A \* 3/1996 Lin ..... 99/337

D415,925 S \* 11/1999 Pai ..... D7/337

**1 Claim, 4 Drawing Sheets**



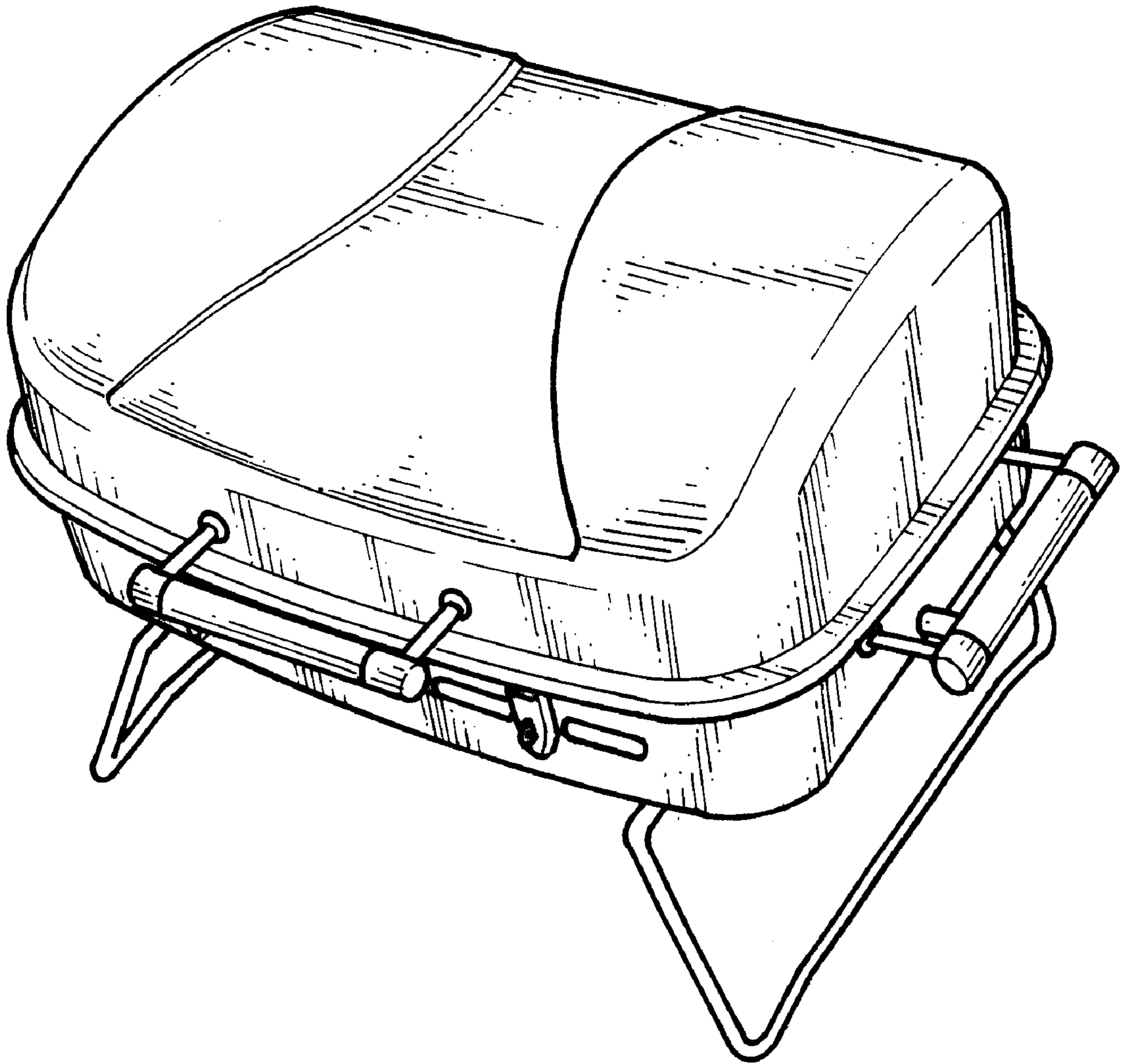


FIG. 1

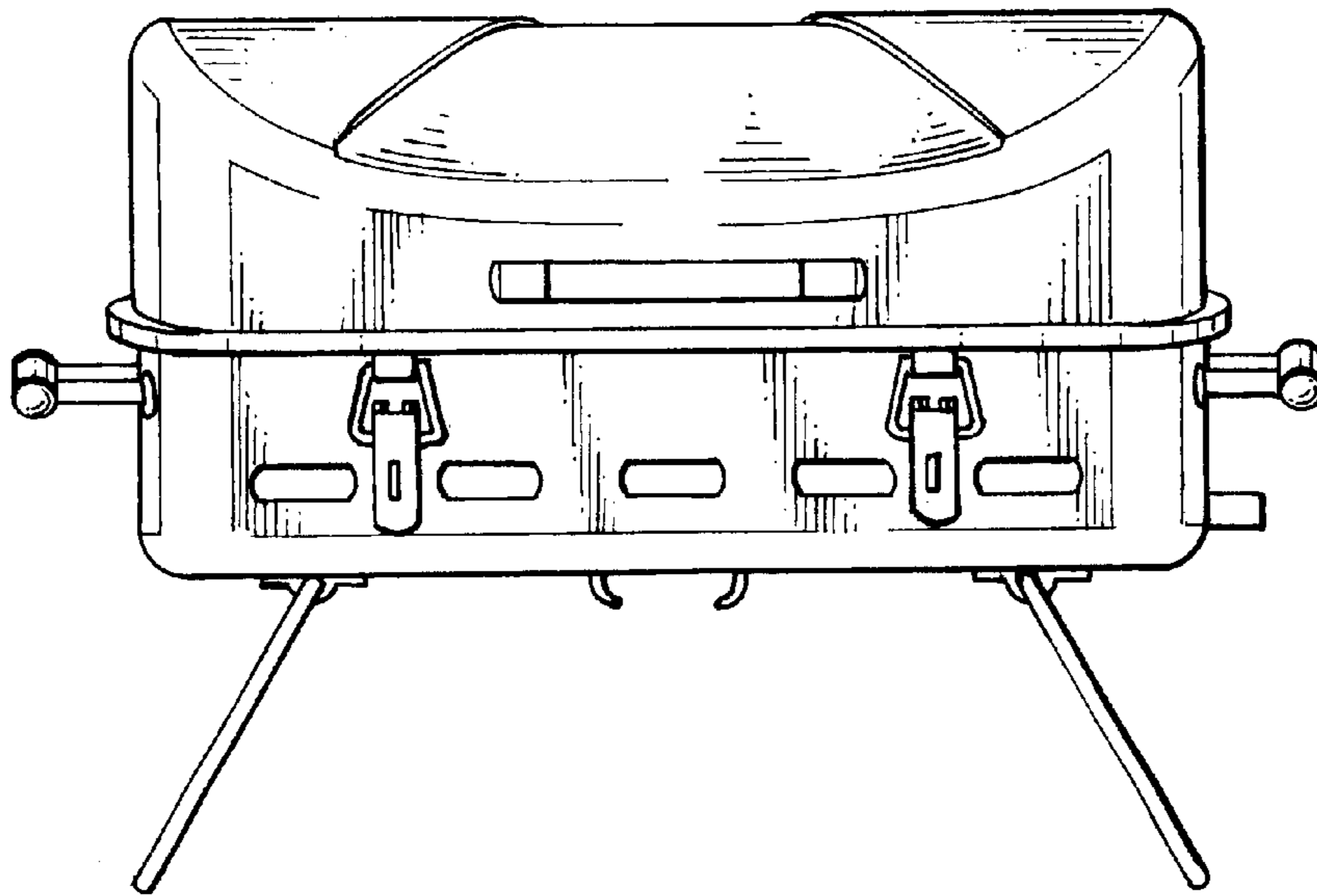


FIG. 2

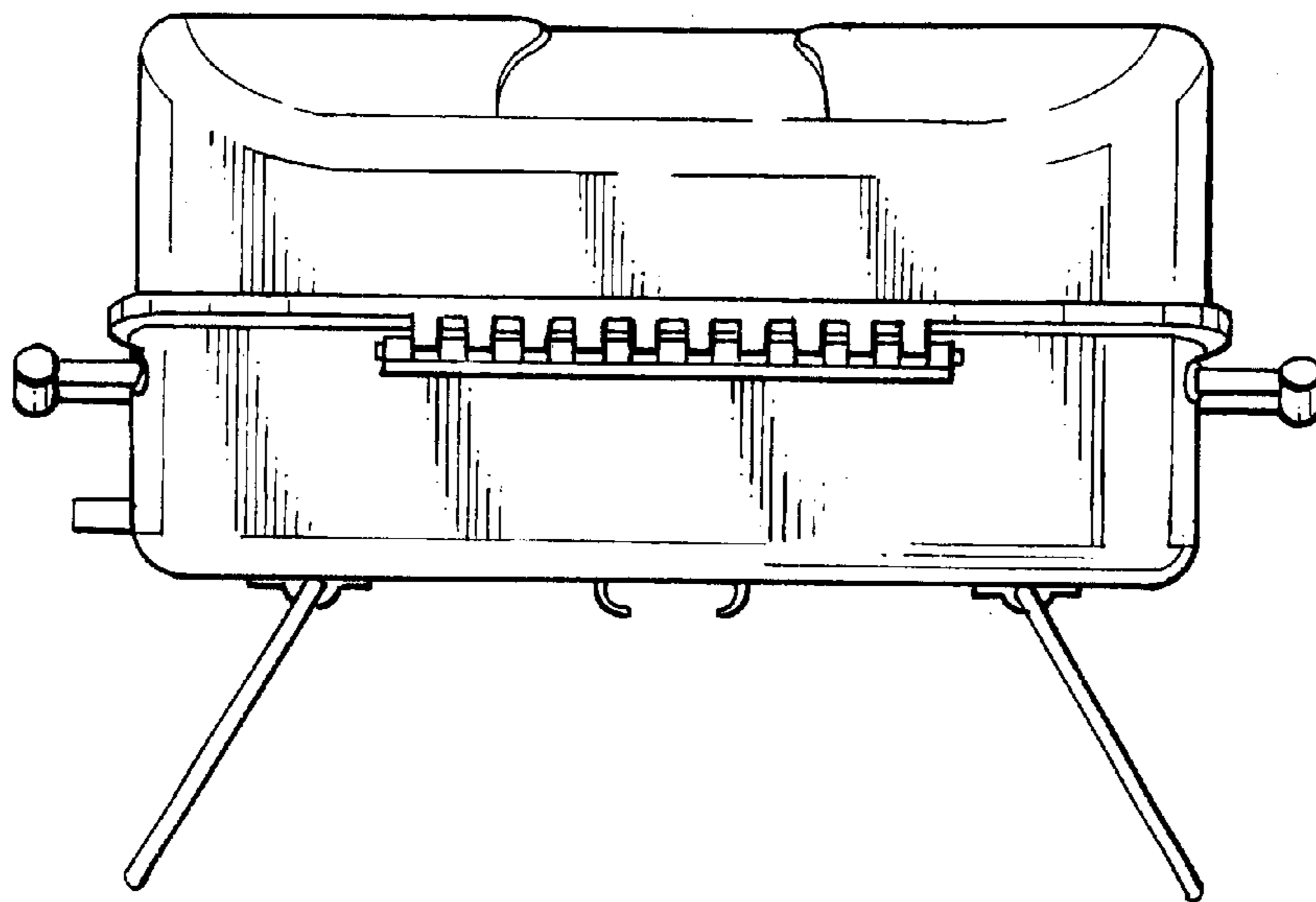


FIG. 3

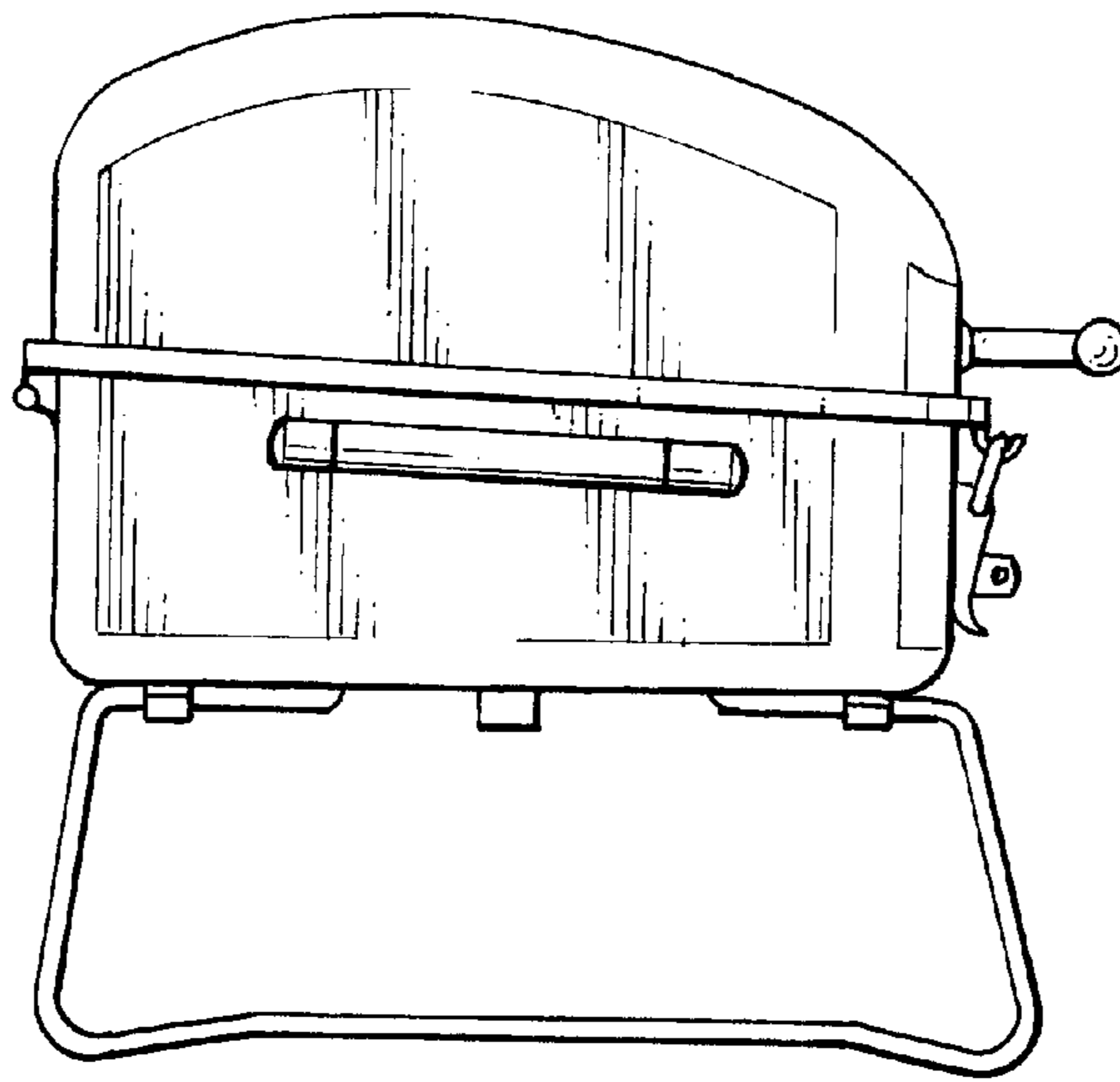


FIG. 4

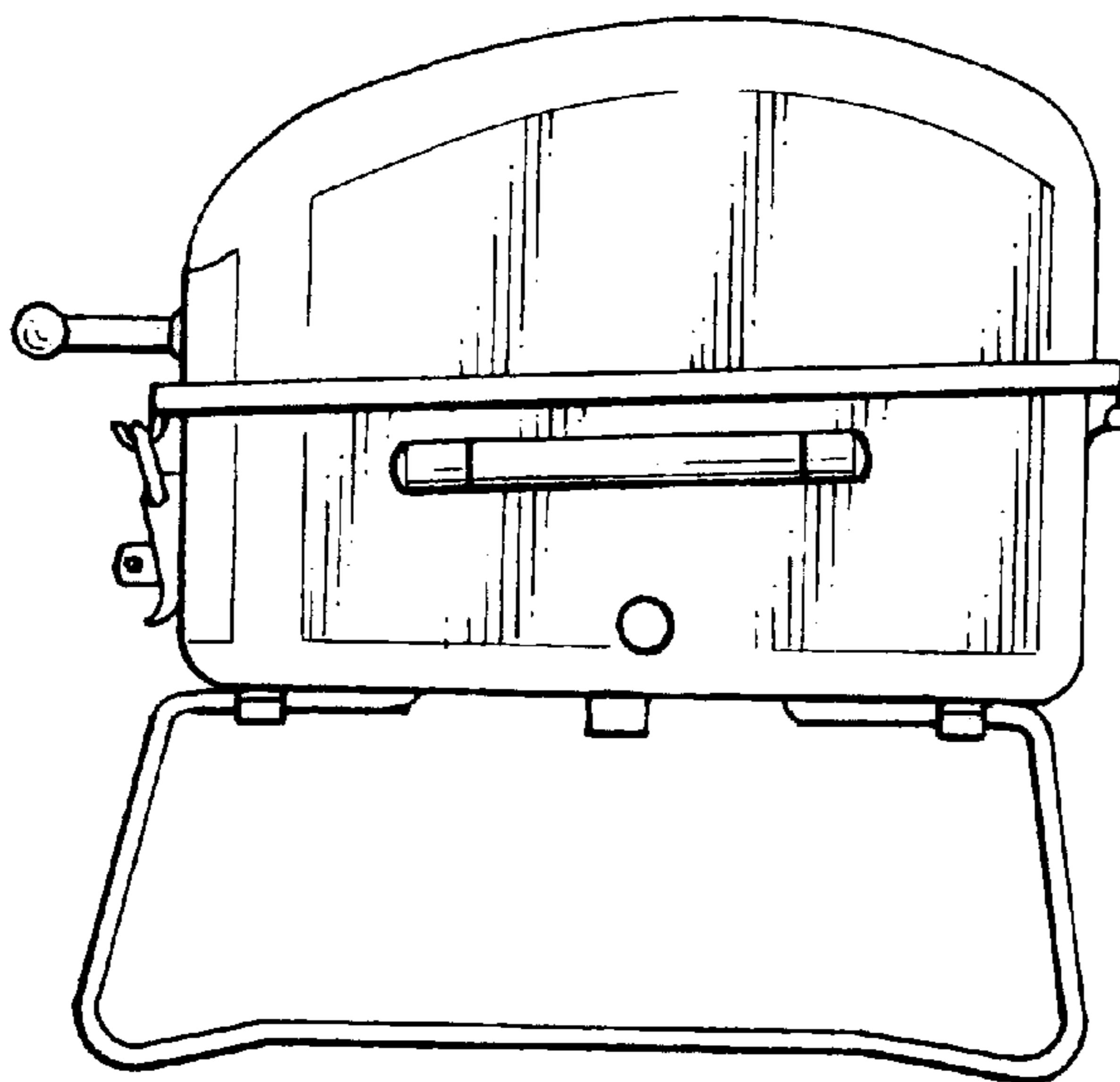


FIG. 5

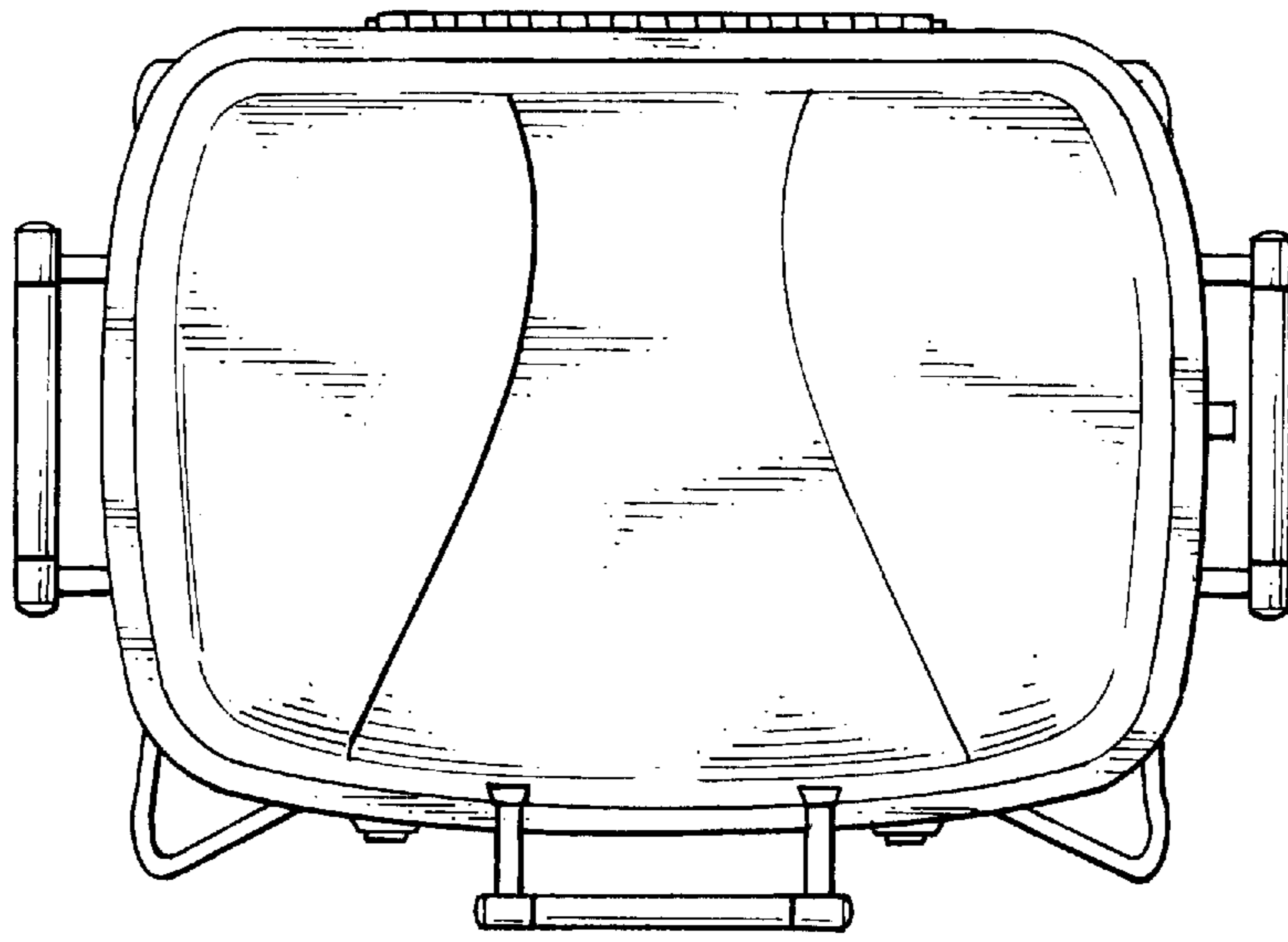


FIG. 6

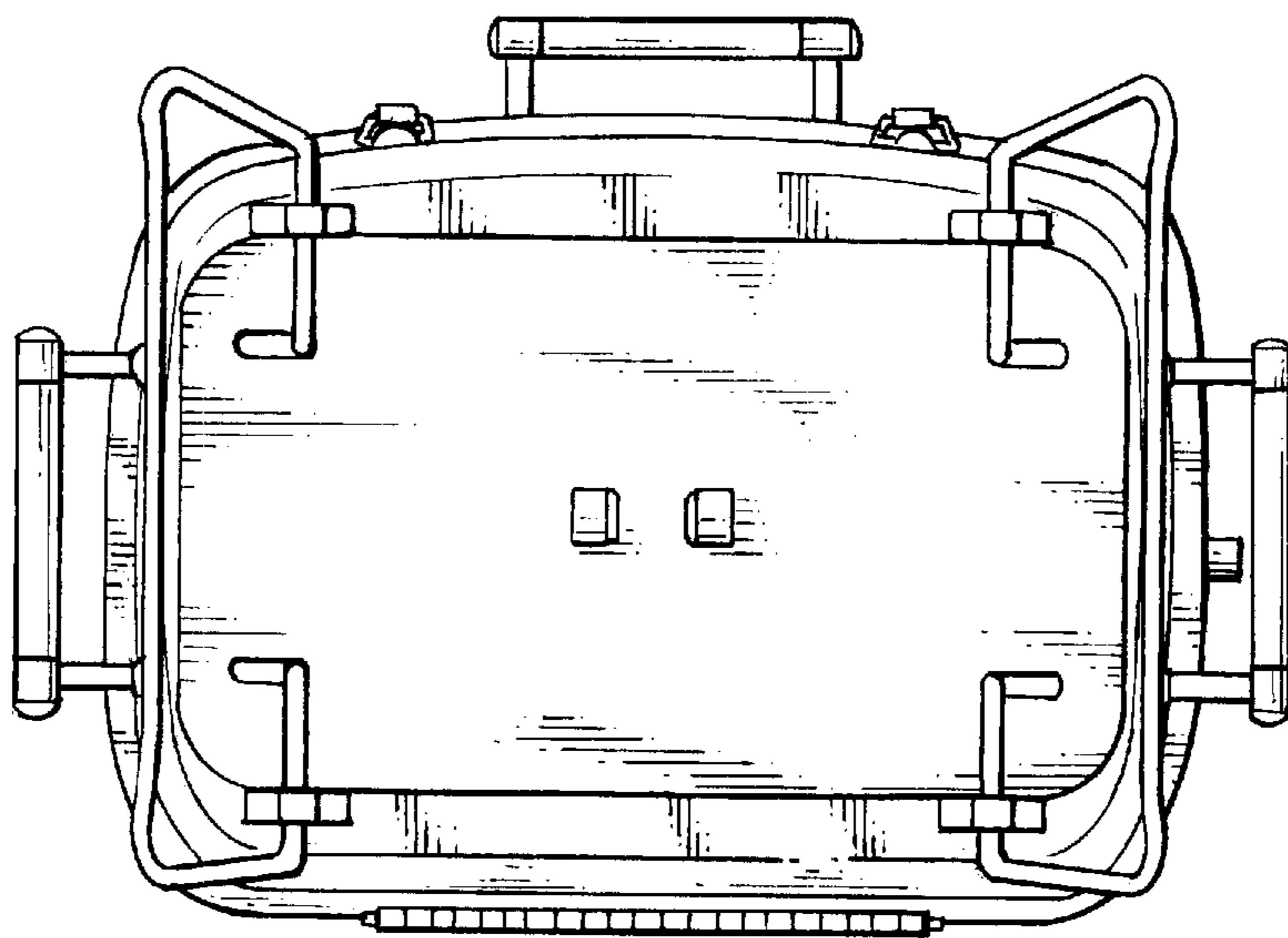


FIG. 7