



US00D464838S

(12) **United States Design Patent**
Shea

(10) **Patent No.:** **US D464,838 S**

(45) **Date of Patent:** **** Oct. 29, 2002**

(54) **MERCHANDISING DISPLAY STRUCTURE**

(76) Inventor: **Thomas M. Shea**, 984 Livernois, Troy, MI (US) 48083

(**) Term: **14 Years**

(21) Appl. No.: **29/152,853**

(22) Filed: **Dec. 28, 2001**

Related U.S. Application Data

(60) Division of application No. 29/133,775, filed on Dec. 6, 2000, now Pat. No. Des. 459,626, and a continuation-in-part of application No. 29/128,094, filed on Aug. 17, 2000, which is a continuation-in-part of application No. 29/107,556, filed on Jul. 8, 1999, now Pat. No. Des. 432,844, which is a continuation-in-part of application No. 09/225,671, filed on Jan. 5, 1999, now Pat. No. 6,070,747, which is a continuation-in-part of application No. 08/829,837, filed on Apr. 1, 1997, now Pat. No. 6,199,706, which is a continuation-in-part of application No. 08/599,407, filed on Nov. 26, 1995, now Pat. No. 5,660,286, said application No. 29/133,775, is a continuation-in-part of application No. 29/128,076, filed on Aug. 17, 2000, which is a continuation-in-part of application No. 09/280,285, filed on Mar. 29, 1999, now Pat. No. 6,202,866, which is a continuation-in-part of application No. 09/225,671, filed on Jan. 5, 1999, now Pat. No. 6,070,747, which is a continuation-in-part of application No. 08/888,558, filed on Jul. 7, 1997, now Pat. No. 5,957,422.

(51) **LOC (7) Cl.** **06-04**

(52) **U.S. Cl.** **D6/567**

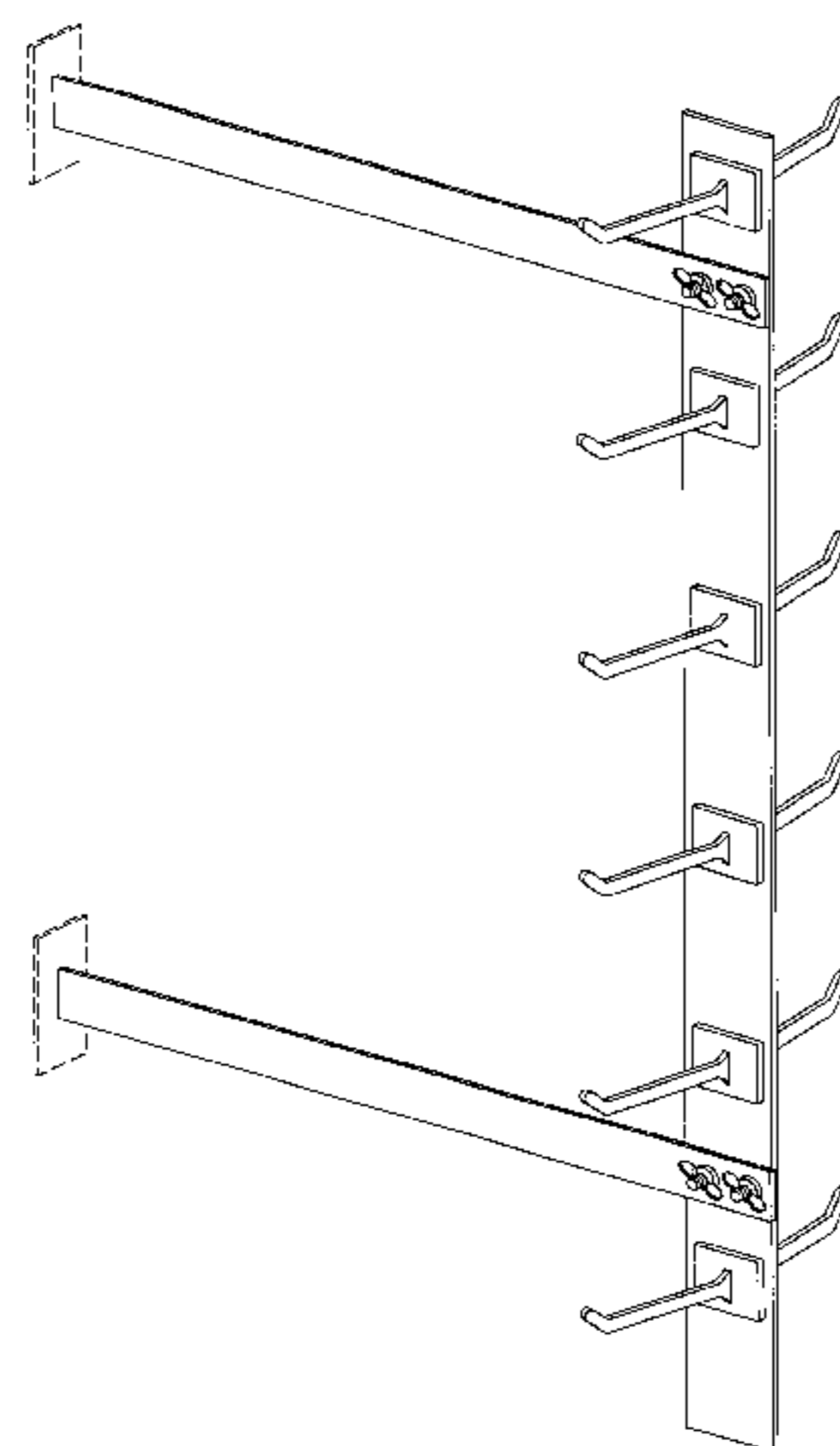
(58) **Field of Search** D6/566, 567, 552, D6/553; 211/13.1, 86.01, 87.01, 181.1, 182; 248/235, 302

(56) **References Cited**

U.S. PATENT DOCUMENTS

431,110 A 7/1890 Driver
2,020,991 A 11/1935 Brody
2,935,210 A 5/1960 Cohen
3,018,898 A 1/1962 Frazelle
3,087,624 A 4/1963 Hucker
3,125,042 A 3/1964 Mapson
3,191,776 A 6/1965 Tokash
3,200,960 A 8/1965 Banse

3,221,893 A 12/1965 Glaberson et al.
3,285,208 A 11/1966 Cohen
3,513,606 A 5/1970 Jones
3,586,284 A 6/1971 Riebold
3,677,415 A 7/1972 Radek
3,743,105 A 7/1973 David
3,935,357 A 1/1976 Padovani
4,159,814 A 7/1979 Fibus
4,171,052 A 10/1979 Winn
4,181,230 A 1/1980 Acuff
4,286,006 A 8/1981 Boelter
4,340,144 A 7/1982 Cousins
4,461,443 A 7/1984 Dauman
4,629,075 A 12/1986 Hutten
4,697,712 A 10/1987 Valiulis
4,718,627 A 1/1988 Fast et al.
4,720,016 A 1/1988 Kay
4,767,012 A 8/1988 Simmons
4,770,303 A 9/1988 Boyd
4,911,392 A 3/1990 Fast
4,919,280 A 4/1990 Phillips
5,014,954 A 5/1991 Merl
D320,719 S 10/1991 Kolsrud et al.
5,090,725 A 2/1992 Feldner
5,096,070 A 3/1992 Jaynes
5,104,269 A 4/1992 Hardison
D327,187 S 6/1992 Swon
5,269,408 A 12/1993 Otis et al.
5,284,259 A 2/1994 Conway et al.
5,303,830 A 4/1994 Metcalf
5,370,249 A 12/1994 Harvey et al.
5,386,916 A 2/1995 Valiulis
5,405,022 A 4/1995 Rissley
5,415,370 A 5/1995 Valiulis
5,443,167 A 8/1995 Menaged et al.
5,505,318 A 4/1996 Goff
5,505,319 A 4/1996 Todd, Jr.
5,526,944 A 6/1996 Merl
5,547,088 A 8/1996 Belokin et al.
5,553,721 A 9/1996 Gebka
5,556,064 A 9/1996 Cowe
5,620,104 A 4/1997 Maglione
5,657,884 A 8/1997 Zilinear, III
5,660,286 A 8/1997 Shea
D384,534 S * 10/1997 Kiggins D6/567
5,678,702 A 10/1997 Menaged et al.
D390,398 S * 2/1998 Baker et al. D6/566
5,762,207 A 6/1998 Maglione
5,833,181 A 11/1998 Des Noyers



5,957,422 A 9/1999 Shea
6,070,747 A 6/2000 Shea

* cited by examiner

Primary Examiner—Brian N. Vinson
(74) Attorney, Agent, or Firm—Gifford, Krass, Groh,
Sprinkle, Anderson & Citkowski, P.C.

(57) **CLAIM**

I claim the ornamental design for a merchandising display structure, as shown and described.

DESCRIPTION

FIG. 1 is a top, front, and left side perspective view of a

merchandising display structure showing my new design;
FIG. 2 is a left side elevational view thereof;
FIG. 3 is a top plan view thereof;
FIG. 4 is a front elevational view thereof;
FIG. 5 is a right side elevational view thereof;
FIG. 6 is a rear elevational view thereof; and,
FIG. 7 is a bottom plan view thereof.

The broken-line disclosure of plates at the point of attachment of the two arms to a vertical surface are for illustrative purposes only and form no part of the claimed design, and the hook elements shown in the first figure are omitted for convenience of illustration in the remaining views.

1 Claim, 3 Drawing Sheets

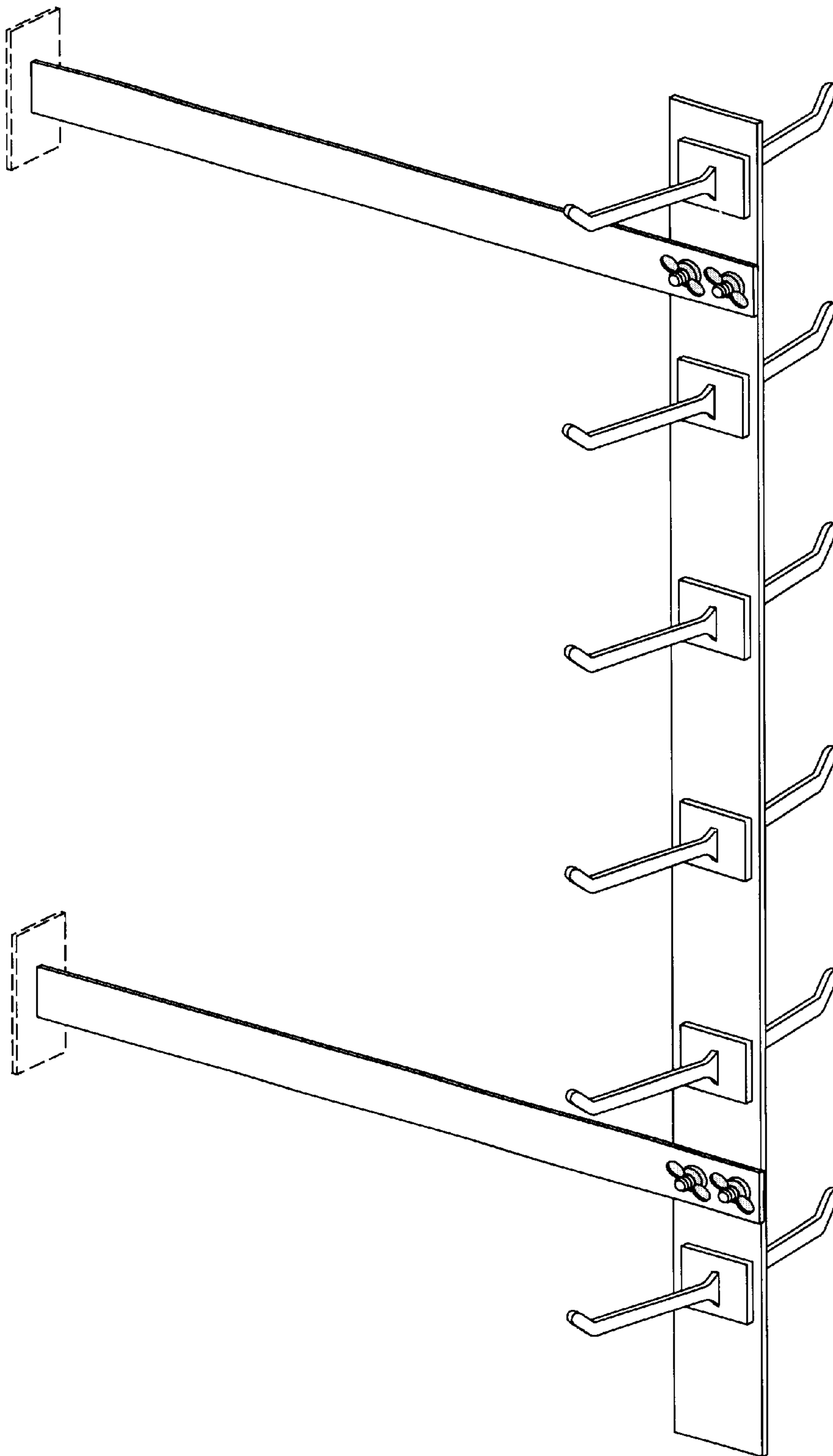


Fig-1



Fig-3

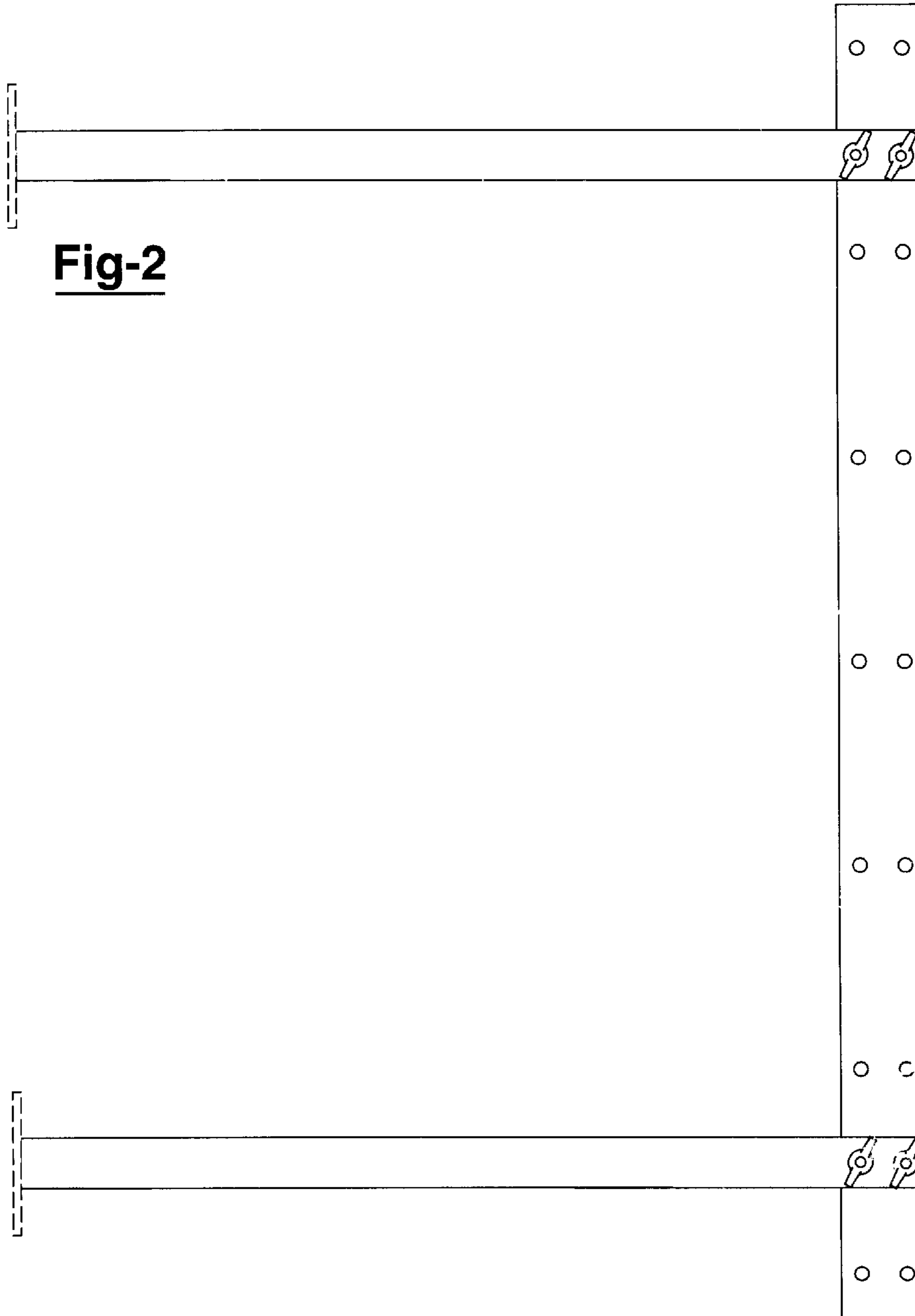


Fig-2



Fig-4

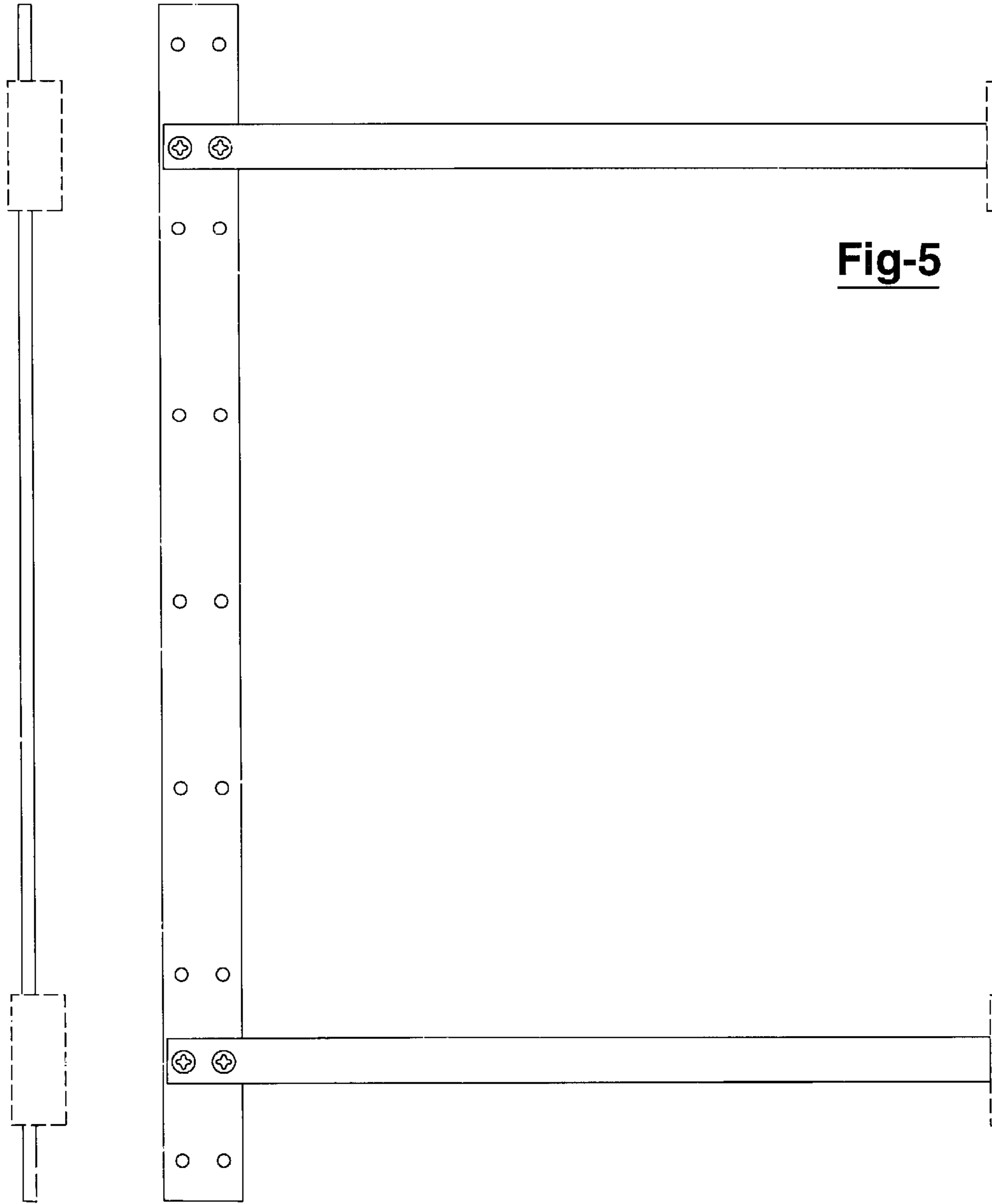


Fig-5

Fig-6

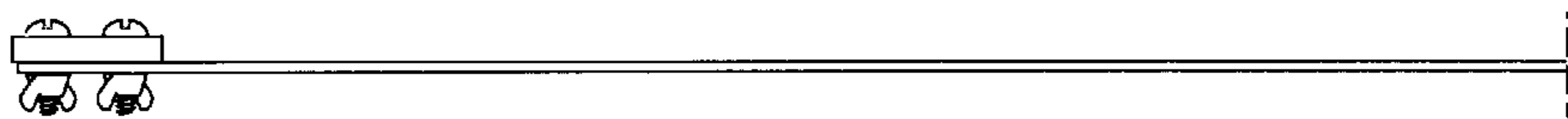


Fig-7