



US00D464837S

(12) **United States Design Patent**  
**Shea**

(10) **Patent No.: US D464,837 S**

(45) **Date of Patent: \*\* Oct. 29, 2002**

(54) **MERCHANDISING DISPLAY STRUCTURE**

(76) Inventor: **Thomas M. Shea**, 984 Livernois, Troy, MI (US) 48083

(\*\*) Term: **14 Years**

(21) Appl. No.: **29/152,802**

(22) Filed: **Dec. 28, 2001**

**Related U.S. Application Data**

(60) Division of application No. 29/128,076, filed on Aug. 17, 2000, which is a continuation-in-part of application No. 09/280,285, filed on Mar. 29, 1999, now Pat. No. 6,202,866, which is a continuation-in-part of application No. 09/225,671, filed on Jan. 5, 1999, now Pat. No. 6,070,747, and a continuation-in-part of application No. 08/888,558, filed on Jul. 7, 1997, now Pat. No. 5,957,422.

(51) **LOC (7) Cl. .... 06-04**

(52) **U.S. Cl. .... D6/567; D6/514**

(58) **Field of Search** ..... D6/552, 553, 566, D6/567, 513, 514, 512; 211/86.01, 87.01, 57.1, 59.1, 103, 105.3, 105.1, 113, 181.1, 182; 248/251, 302, 309.1, 309.2, 317

(56) **References Cited**

**U.S. PATENT DOCUMENTS**

431,110 A	7/1890	Driver
2,020,991 A	11/1935	Brody
2,935,210 A	5/1960	Cohen
3,018,898 A	1/1962	Frazelle
3,087,624 A	4/1963	Hucker
3,200,960 A	8/1965	Banse
3,221,893 A	12/1965	Glaberson et al.
3,513,606 A	5/1970	Jones

3,677,415 A	7/1972	Radek
3,935,357 A	1/1976	Padovani
4,159,814 A	7/1979	Fibus
4,181,230 A	1/1980	Acuff
4,286,006 A	8/1981	Boelter
4,340,144 A	7/1982	Cousins
4,461,443 A	7/1984	Dauman
4,629,075 A	12/1986	Hutten
4,697,712 A	10/1987	Valiulis
4,718,627 A	1/1988	Fast et al.
4,720,016 A	1/1988	Kay
4,767,012 A	8/1988	Simmons
4,770,303 A	9/1988	Boyd
4,911,392 A	3/1990	Fast

(List continued on next page.)

*Primary Examiner*—Brian N. Vinson  
(74) *Attorney, Agent, or Firm*—Gifford, Krass, Groh, Sprinkle, Anderson & Citkowski, P.C.

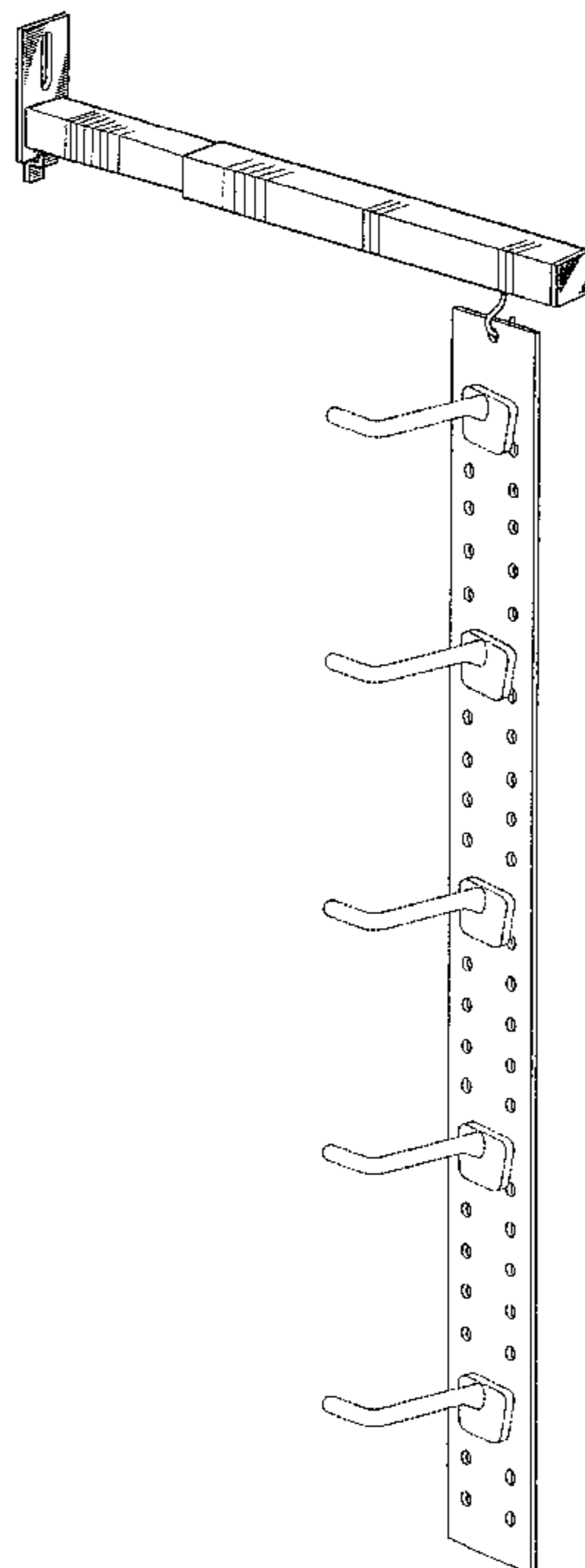
(57) **CLAIM**

I claim the ornamental design for a merchandising display structure, as shown and described.

**DESCRIPTION**

FIG. 1 is a top, front, and right side perspective view of a merchandising display structure showing my new design, the broken-line disclosure of hooks being for illustrative purposes only and forming no part of the claimed design; FIG. 2 is an enlarged front elevational view thereof, with the bottom portion of the panel being omitted for convenience of illustration; and, FIG. 3 is an enlarged right side elevational view thereof, with the bottom portion of the panel being omitted for convenience of illustration.

**1 Claim, 2 Drawing Sheets**



# US D464,837 S

Page 2

---

## U.S. PATENT DOCUMENTS

4,919,280 A	4/1990	Phillips	5,526,944 A	6/1996	Merl
D320,719 S	10/1991	Kolsrud et al.	5,547,088 A	8/1996	Belokin et al.
5,090,725 A	2/1992	Feldner	5,553,721 A	9/1996	Gebka
5,096,070 A	3/1992	Jaynes	5,556,064 A	9/1996	Cowe
5,104,269 A	4/1992	Hardison	5,620,104 A	4/1997	Maglione
D327,187 S	6/1992	Swon	5,657,884 A	8/1997	Zilincar, III
5,269,408 A	12/1993	Otis et al.	5,660,286 A	8/1997	Shea
5,284,259 A	2/1994	Conway et al.	D384,534 S	* 10/1997	Kiggins ..... D6/567
5,370,249 A	12/1994	Harvey et al.	5,678,702 A	10/1997	Managed et al.
5,386,916 A	2/1995	Valiulis	D390,398 S	* 2/1998	Baker et al. .... D6/566
5,405,022 A	4/1995	Rissley	5,762,207 A	6/1998	Maglione
5,415,370 A	5/1995	Valiulis	5,833,181 A	11/1998	Des Noyers
5,443,167 A	8/1995	Menaged et al.	5,957,422 A	9/1999	Shea
5,505,318 A	4/1996	Goff	6,070,747 A	6/2000	Shea
5,505,319 A	4/1996	Todd, Jr.	D435,381 S	* 12/2000	Shea ..... D6/566

\* cited by examiner

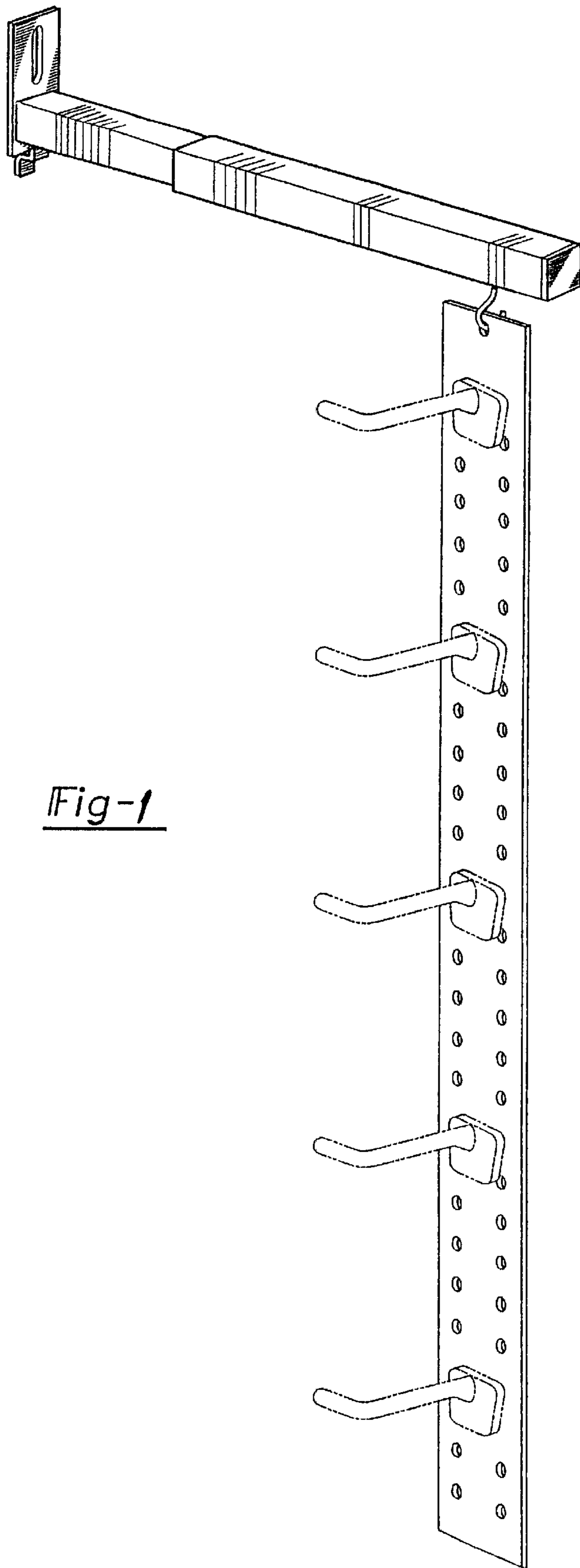


Fig-1

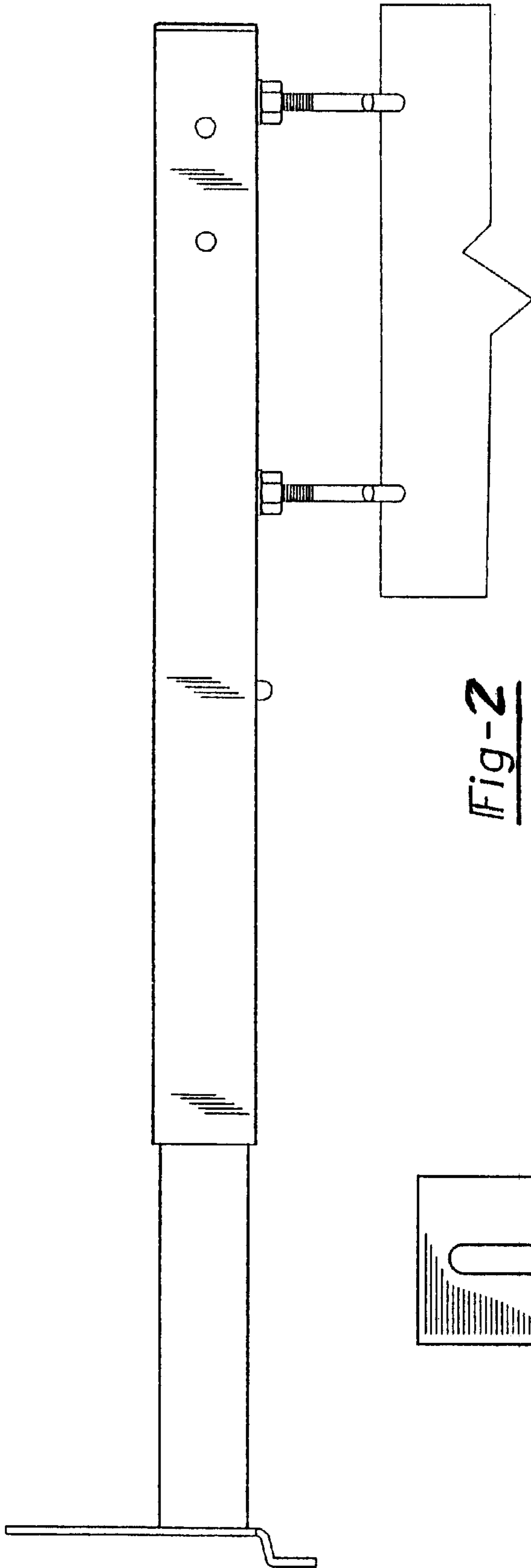


Fig-2

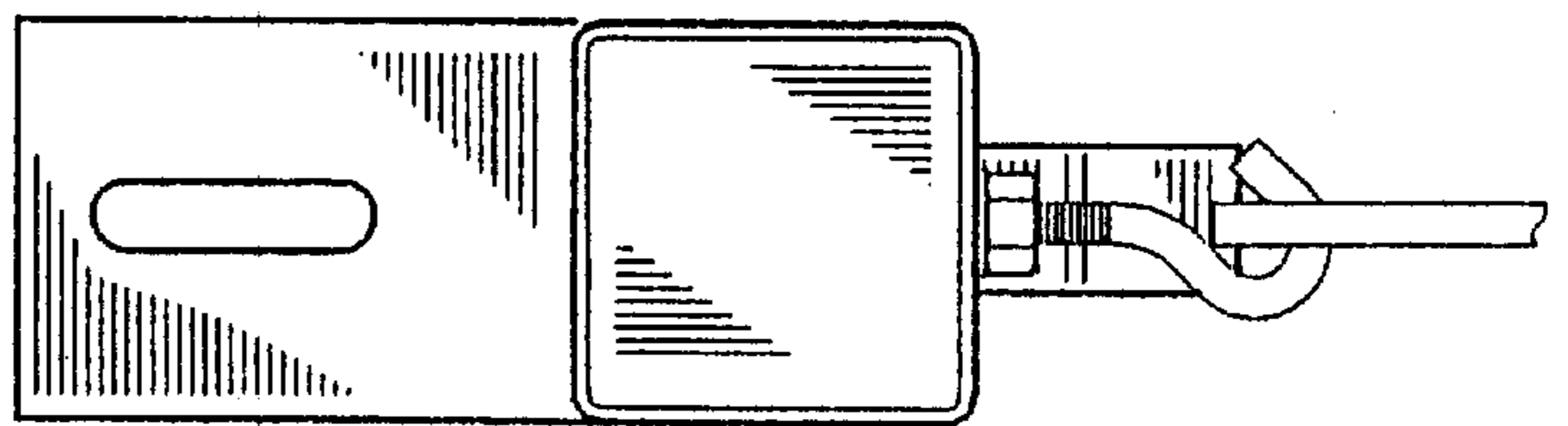


Fig-3