



US00D464836S

(12) **United States Design Patent**
Barrera

(10) **Patent No.:** **US D464,836 S**

(45) **Date of Patent:** **** Oct. 29, 2002**

(54) **FOOTBALL HOLDER**

(76) Inventor: **Alberto Barrera**, 55 Bethune St., Suite 914C, New York, NY (US) 10014

(**) Term: **14 Years**

(21) Appl. No.: **29/147,486**

(22) Filed: **Aug. 29, 2001**

(51) **LOC (7) Cl.** **08-08**

(52) **U.S. Cl.** **D6/552**

(58) **Field of Search** D6/552; 211/13.1, 211/14; 248/309.1, 309.2

(56) **References Cited**

U.S. PATENT DOCUMENTS

3,231,993	*	2/1966	Levy	211/14	X
3,559,935	*	2/1971	Gardner	211/14	X
5,377,829	*	1/1995	Bahl	211/14	X
6,029,826	*	2/2000	Clay	211/14	

* cited by examiner

Primary Examiner—Brian N. Vinson

(74) *Attorney, Agent, or Firm*—Selitto, Behr & Kim

(57) **CLAIM**

The ornamental design for a football holder, as shown and described.

DESCRIPTION

FIG. 1 is a perspective view of a football holder showing my new design;

FIG. 2 is a top plan view thereof;

FIG. 3 is a bottom plan view thereof;

FIG. 4 is a front elevational view thereof;

FIG. 5 is a rear elevational view thereof;

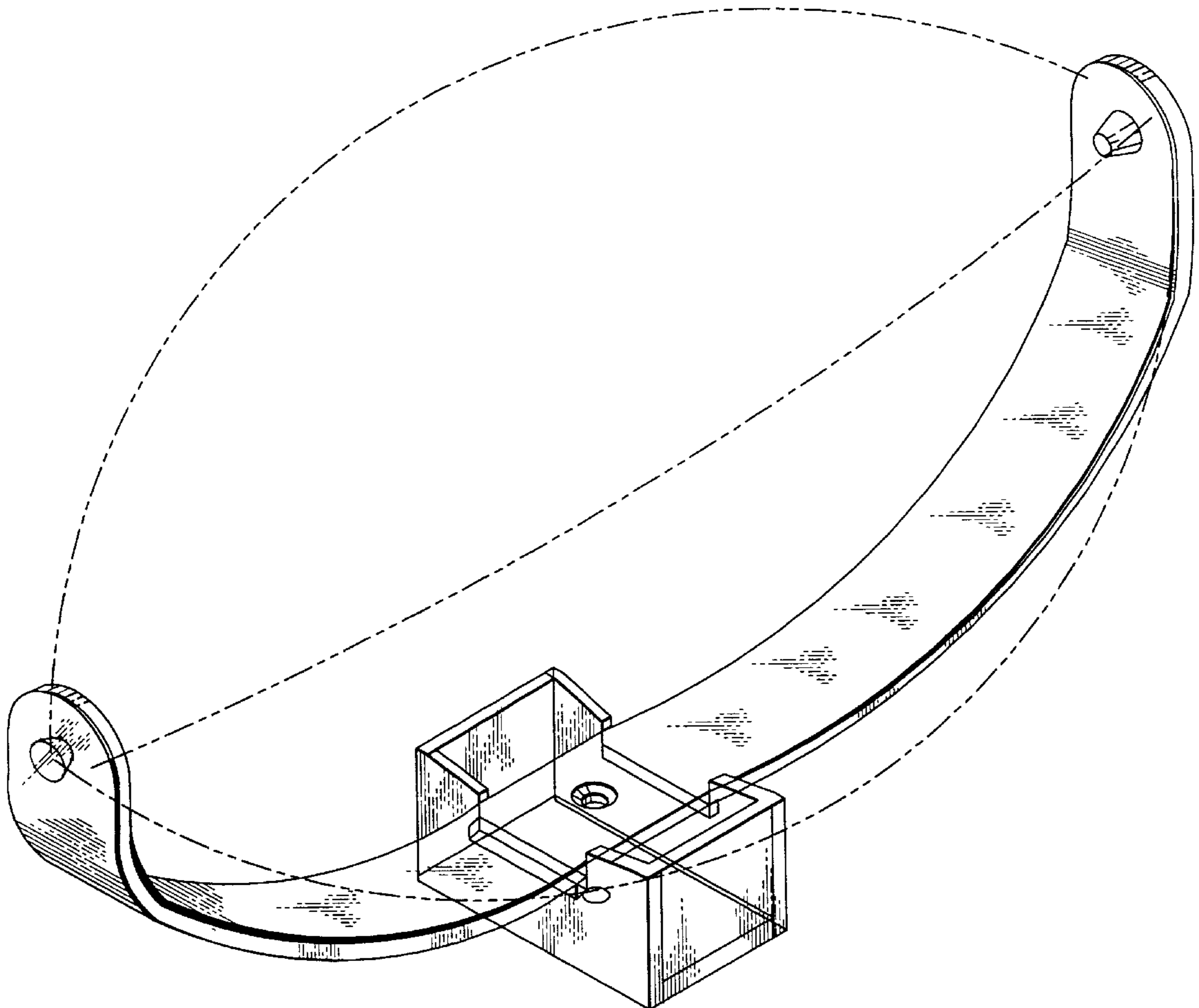
FIG. 6 is a right side elevational view thereof;

FIG. 7 is a left side elevational view thereof; and,

FIG. 8 is a perspective view of an alternate embodiment of the design shown in FIG. 1.

The broken-line disclosure of a football in the views is for illustrative purposes only and forms no part of the claimed design.

1 Claim, 5 Drawing Sheets



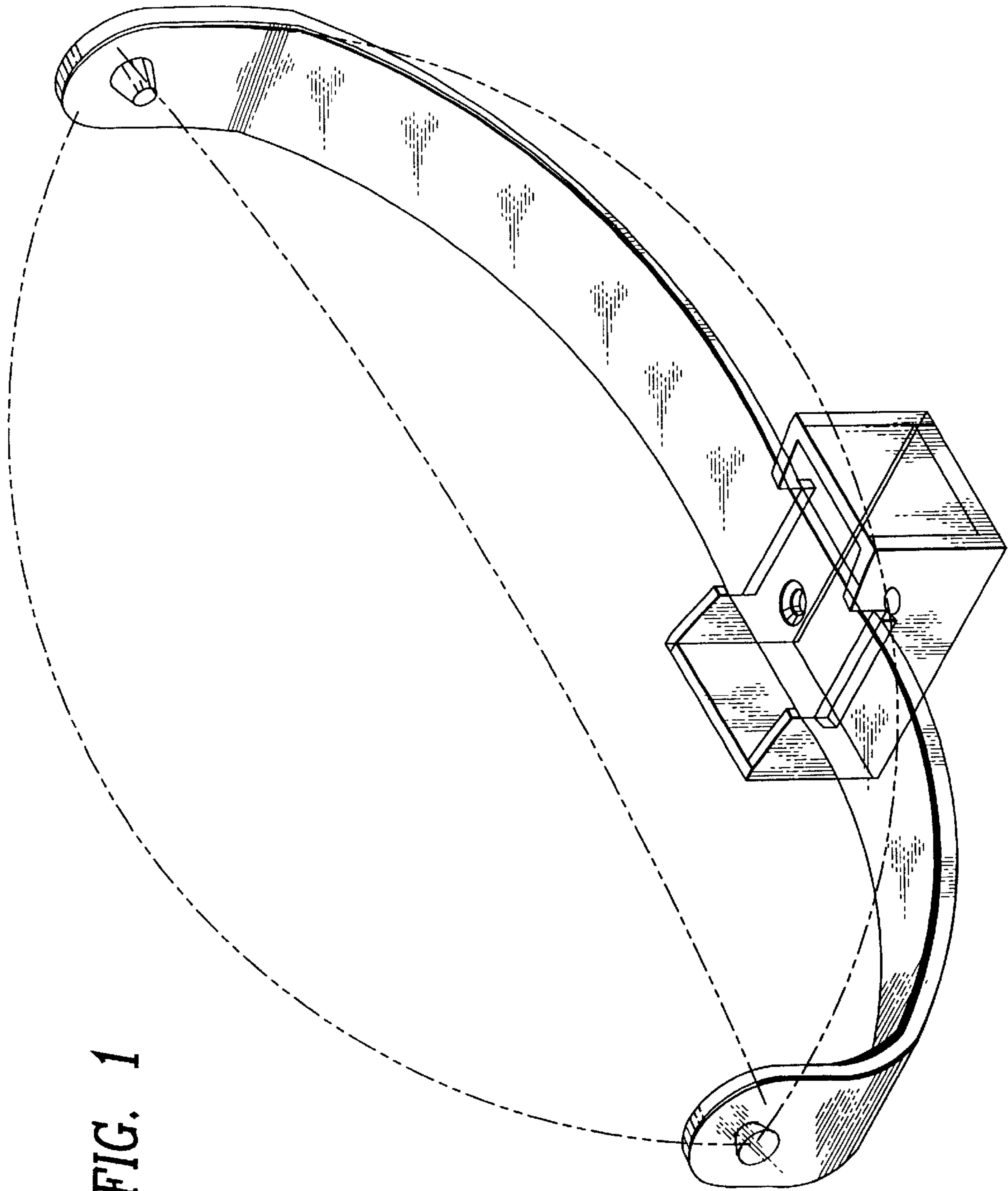


FIG. 1

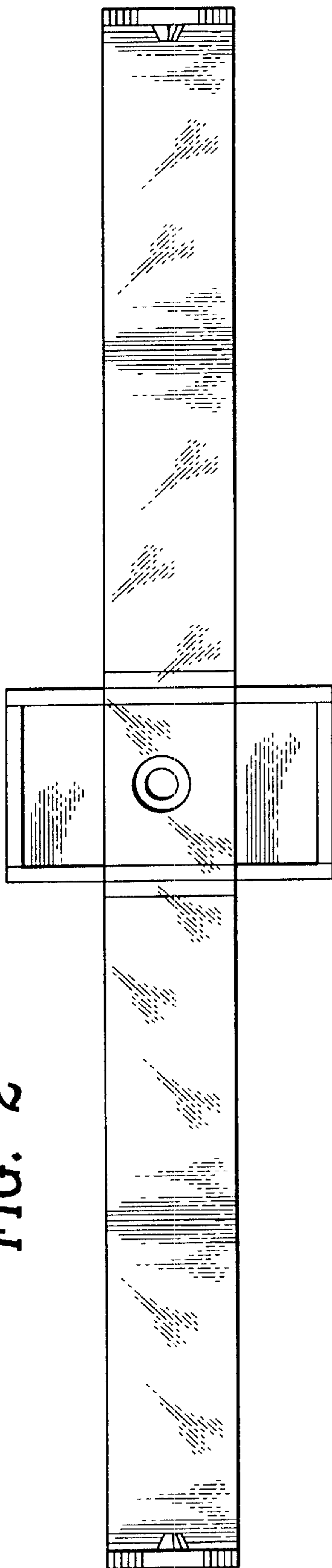


FIG. 2

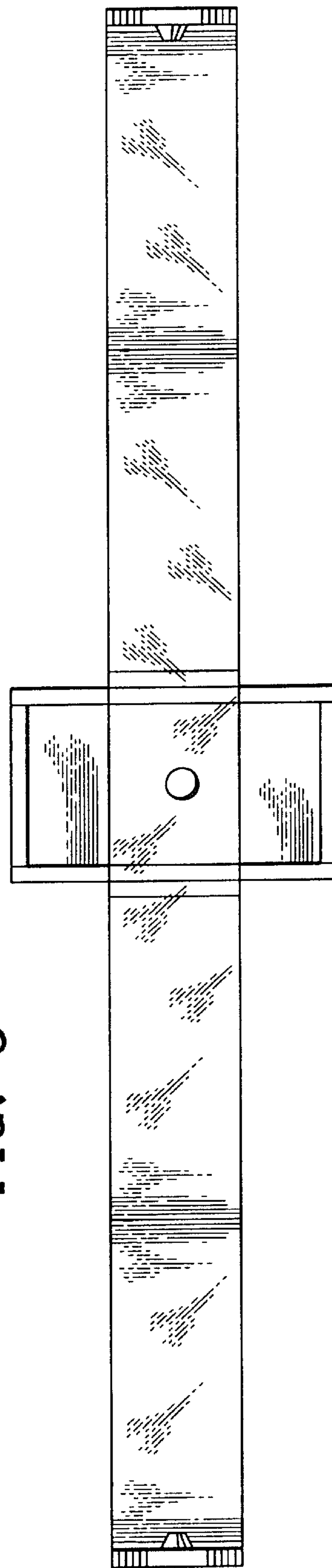


FIG. 3

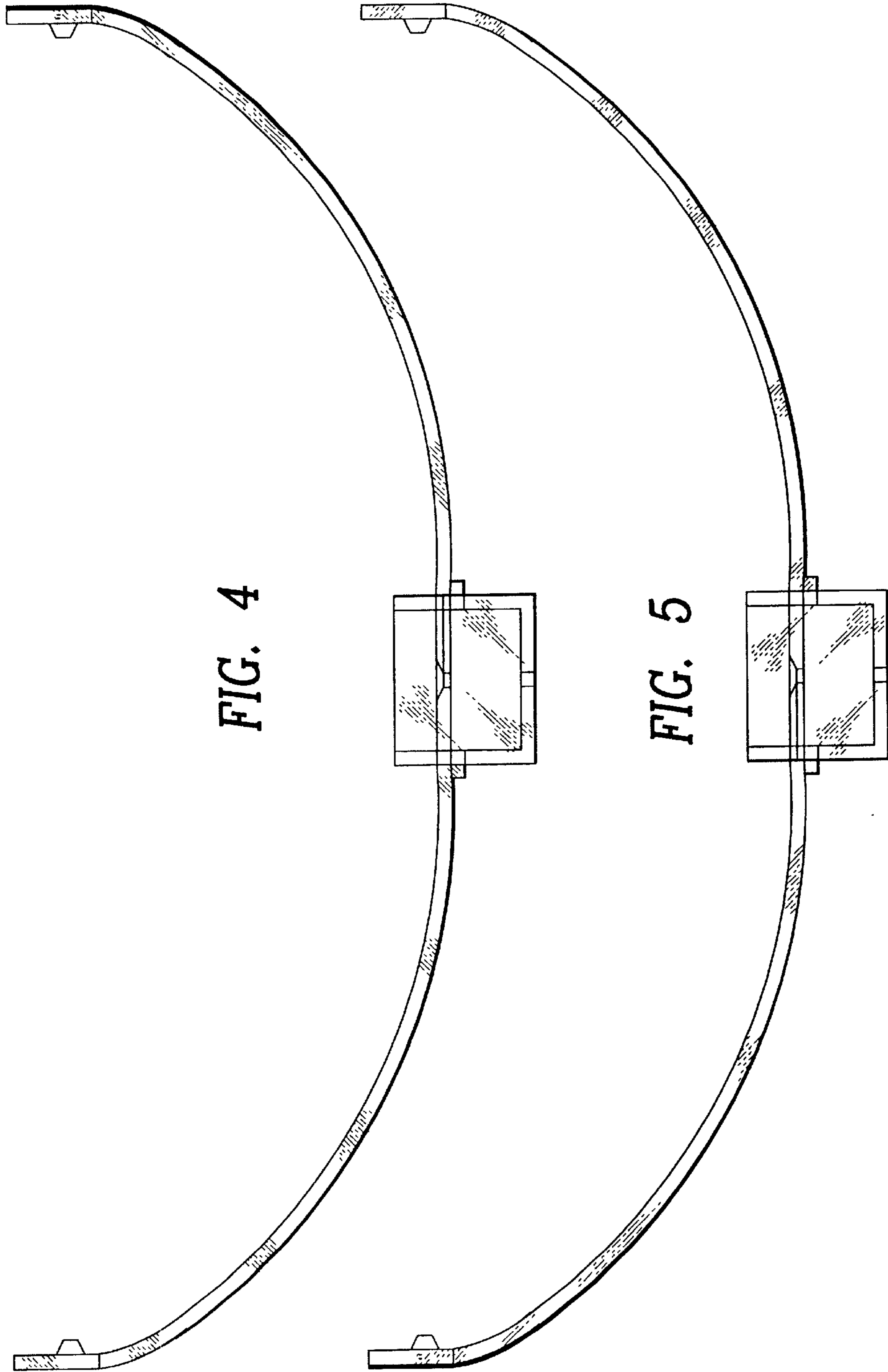


FIG. 4

FIG. 5

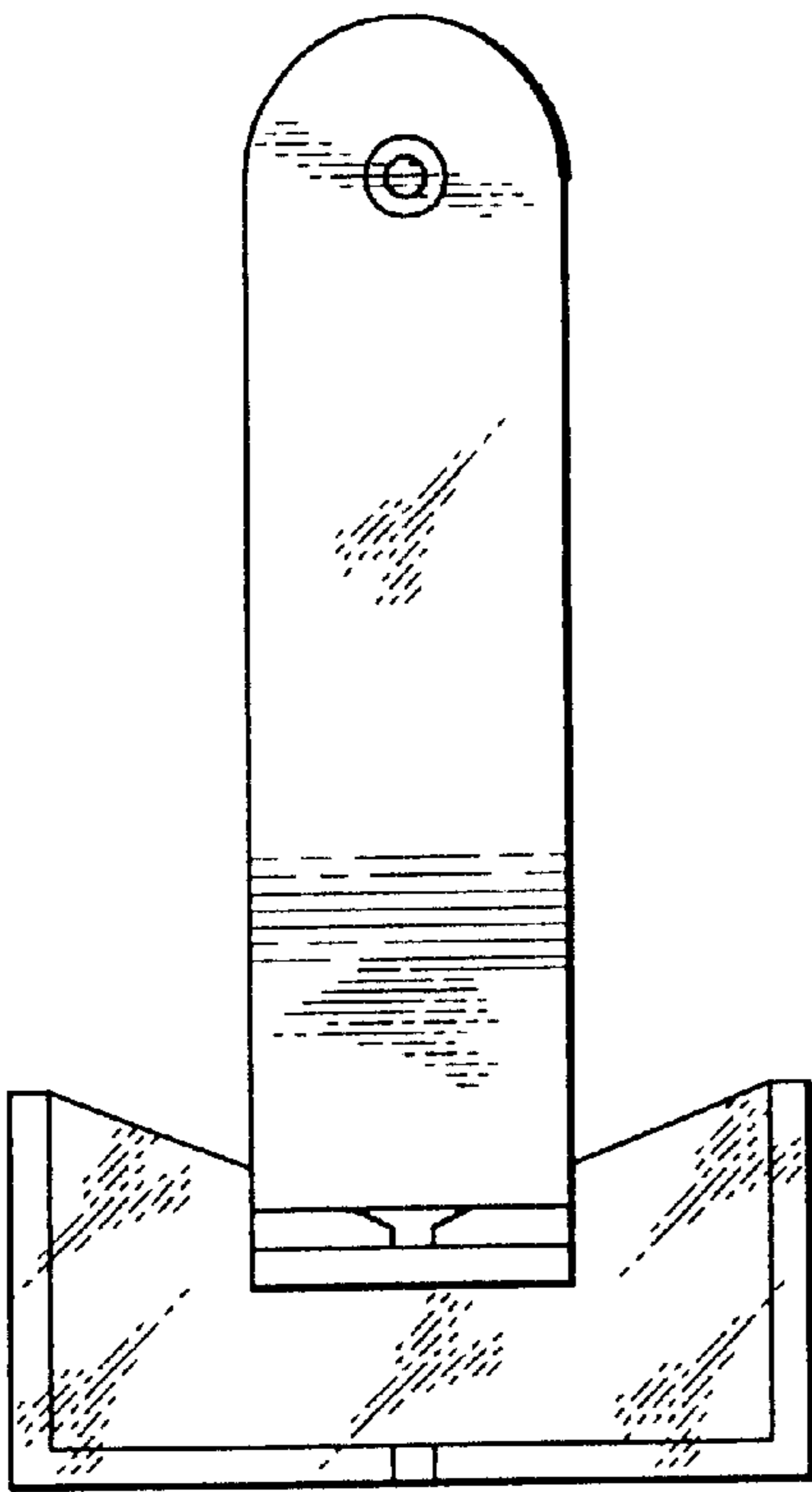


FIG. 6

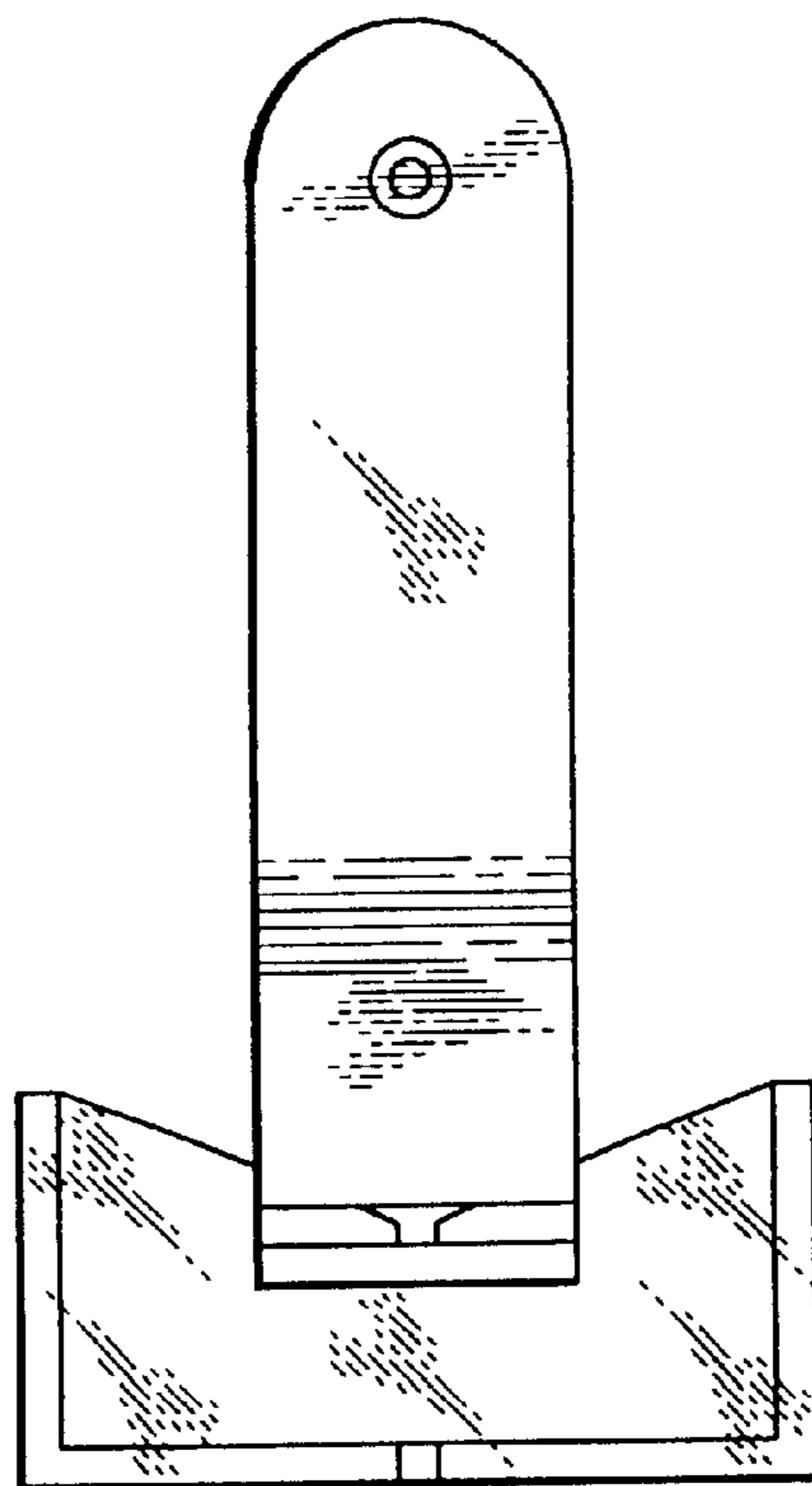


FIG. 7

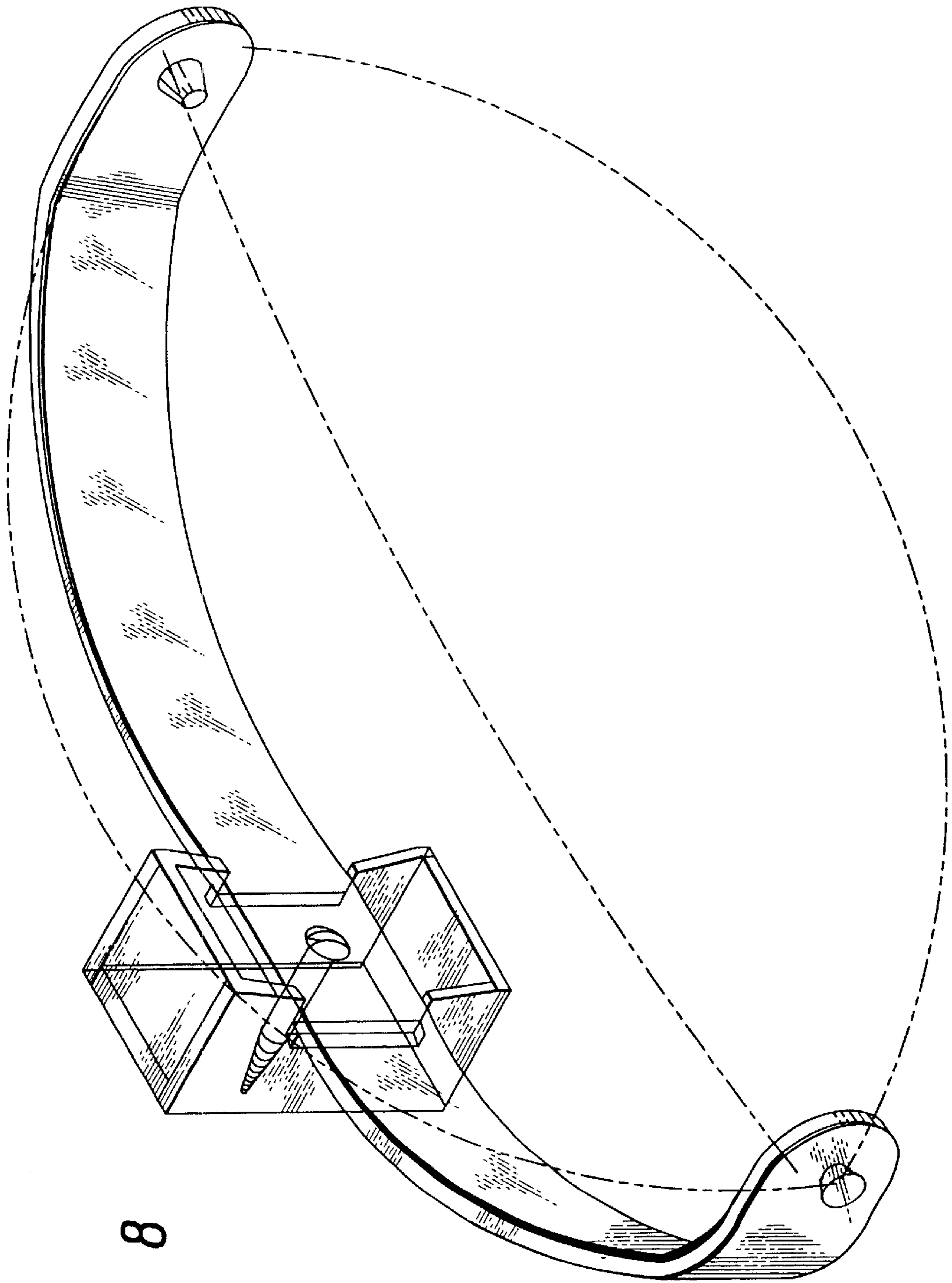


FIG. 8