



US00D464835S

(12) **United States Design Patent**
Chen

(10) **Patent No.:** **US D464,835 S**

(45) **Date of Patent:** **** Oct. 29, 2002**

(54) **TOWEL BAR POST**

(76) Inventor: **Chung-Fang Chen**, 10 Fl.-1, No. 51,
Lane 76, Shiue-fu Rd., Daya Shiang,
Taichung (TW)

(**) Term: **14 Years**

(21) Appl. No.: **29/150,379**

(22) Filed: **Nov. 20, 2001**

(51) **LOC (7) Cl.** **06-04**

(52) **U.S. Cl.** **D6/550**

(58) **Field of Search** D6/546-550, 518,
D6/522-524; D8/300, 307-308, 315-320;
108/29; 211/13.1, 16, 60.1, 86.01, 87.01,
88.04, 105.1-105.2, 106, 123, 181.1; 242/570,
588-590, 597-598; 248/49, 175, 200-201,
205.1, 214, 251-254, 261, 302, 304, 309.1,
314-317

(56) **References Cited**

U.S. PATENT DOCUMENTS

D155,168 S * 9/1949 Kiehl D6/550

D175,128 S * 7/1955 O'Connor et al. D6/546
D185,494 S * 6/1959 Ganine D6/550
D453,434 S * 2/2002 Ou-Young D6/546
D454,744 S * 3/2002 Ou-Young D6/550

* cited by examiner

Primary Examiner—Brian N. Vinson

(74) *Attorney, Agent, or Firm*—Brinks Hofer Gilson &
Lione

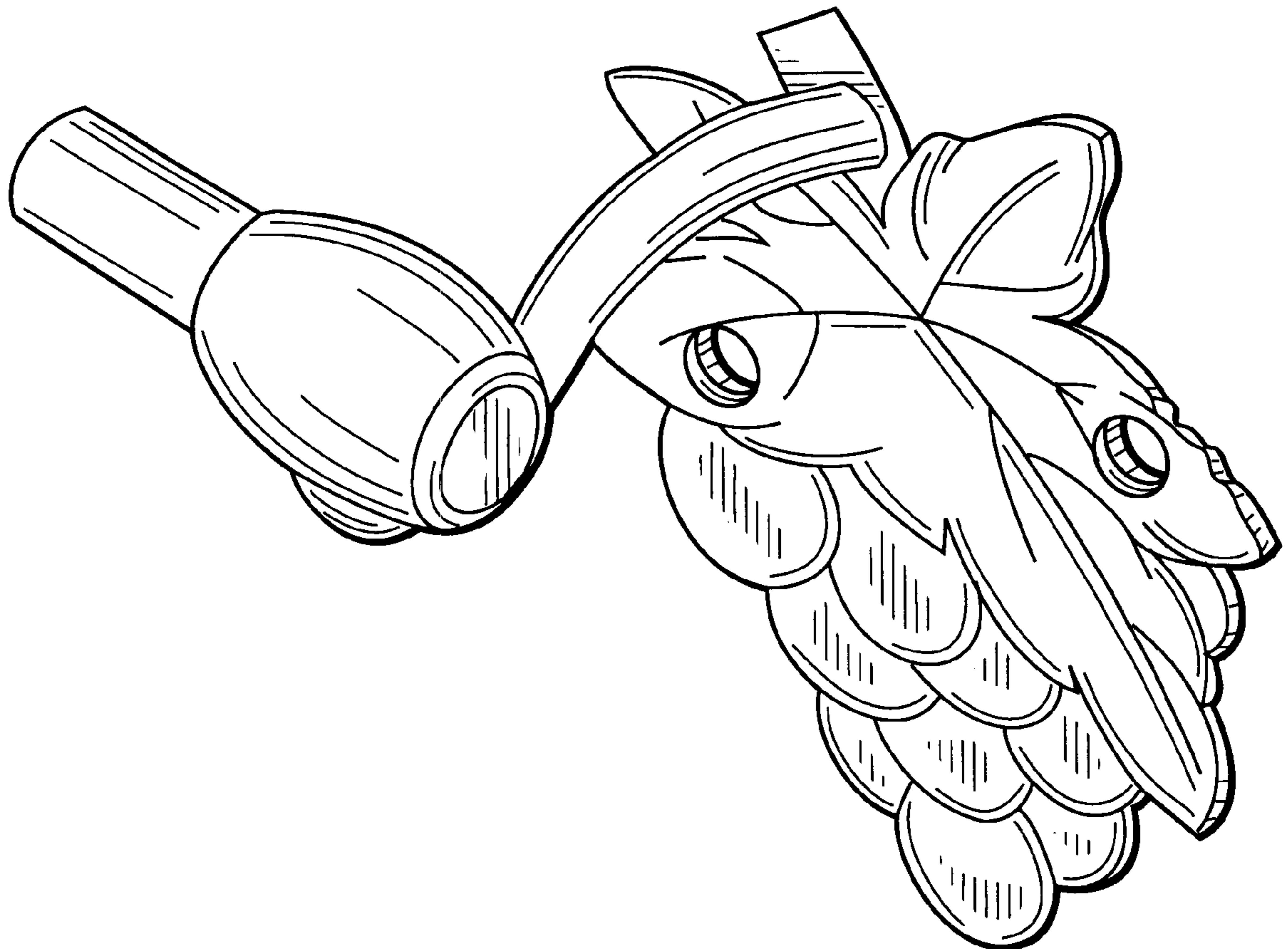
(57) **CLAIM**

The ornamental design for a towel bar post, as shown and
described.

DESCRIPTION

FIG. 1 is a perspective view showing my new design.
FIG. 2 is a top elevational view thereof.
FIG. 3 is a bottom elevational view thereof.
FIG. 4 is a right elevational view thereof.
FIG. 5 is a left elevational view thereof.
FIG. 6 is a front elevational view thereof; and,
FIG. 7 is a rear elevational view thereof.

1 Claim, 4 Drawing Sheets



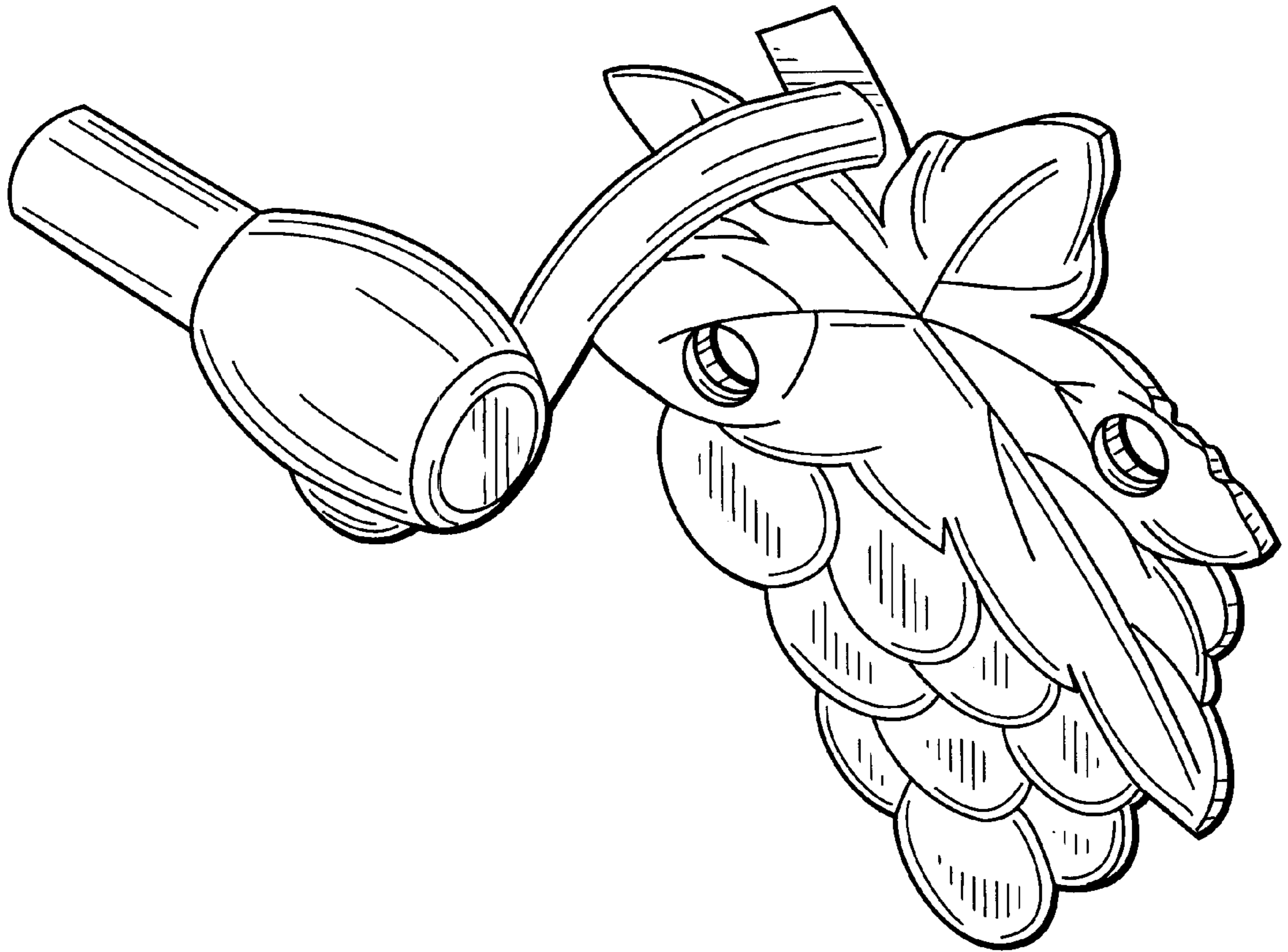


FIG. 1

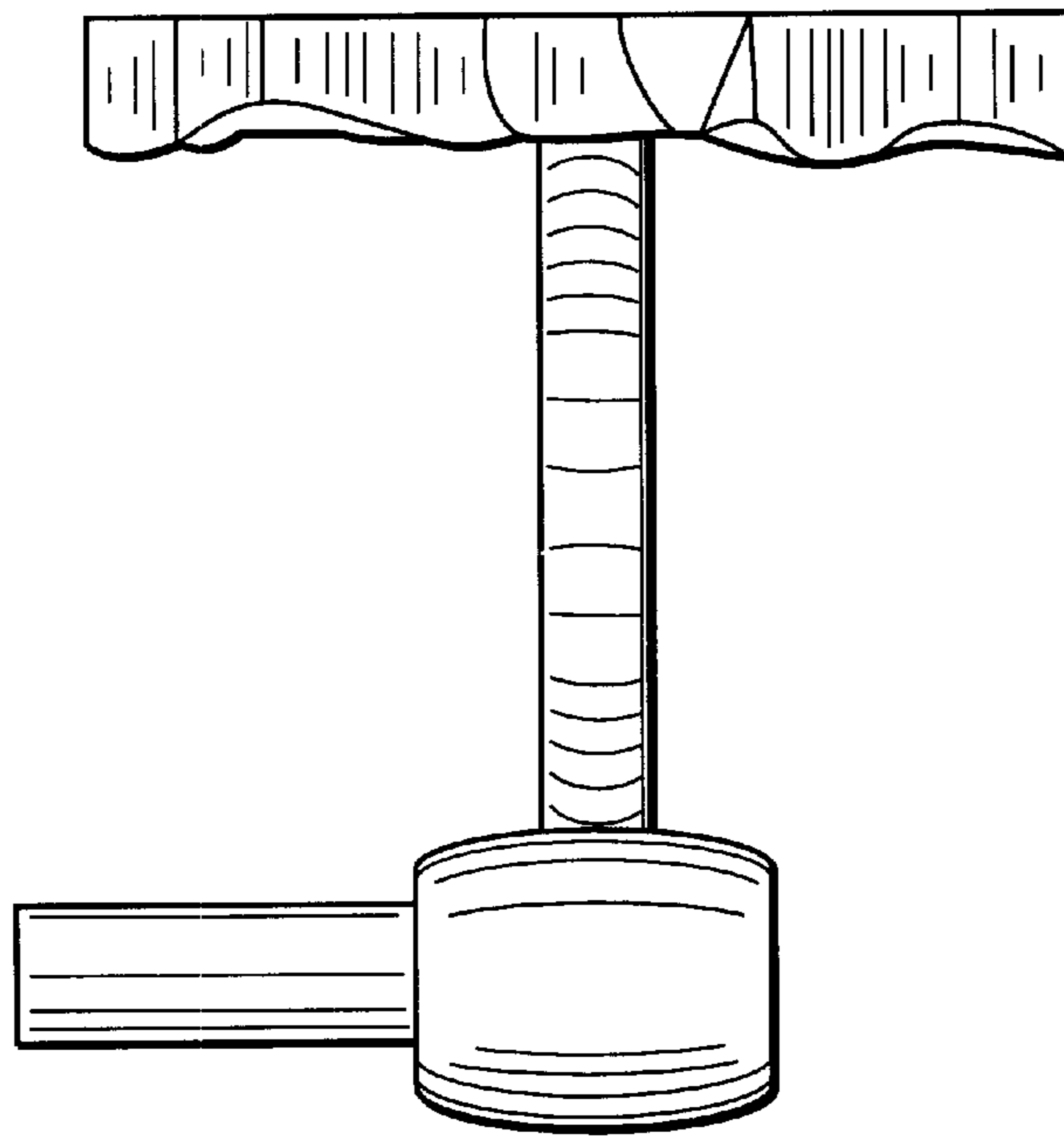


FIG. 2

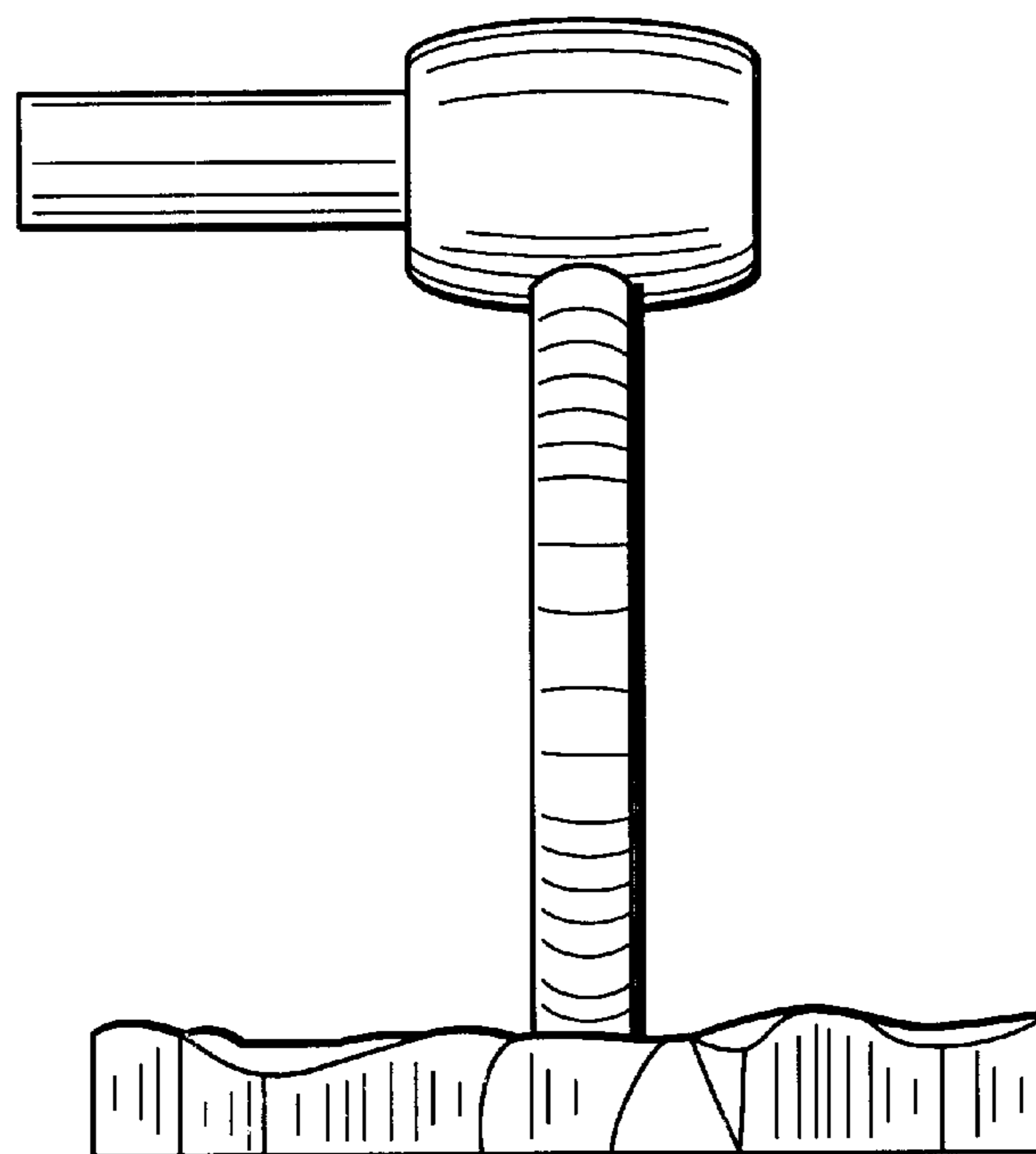


FIG. 3

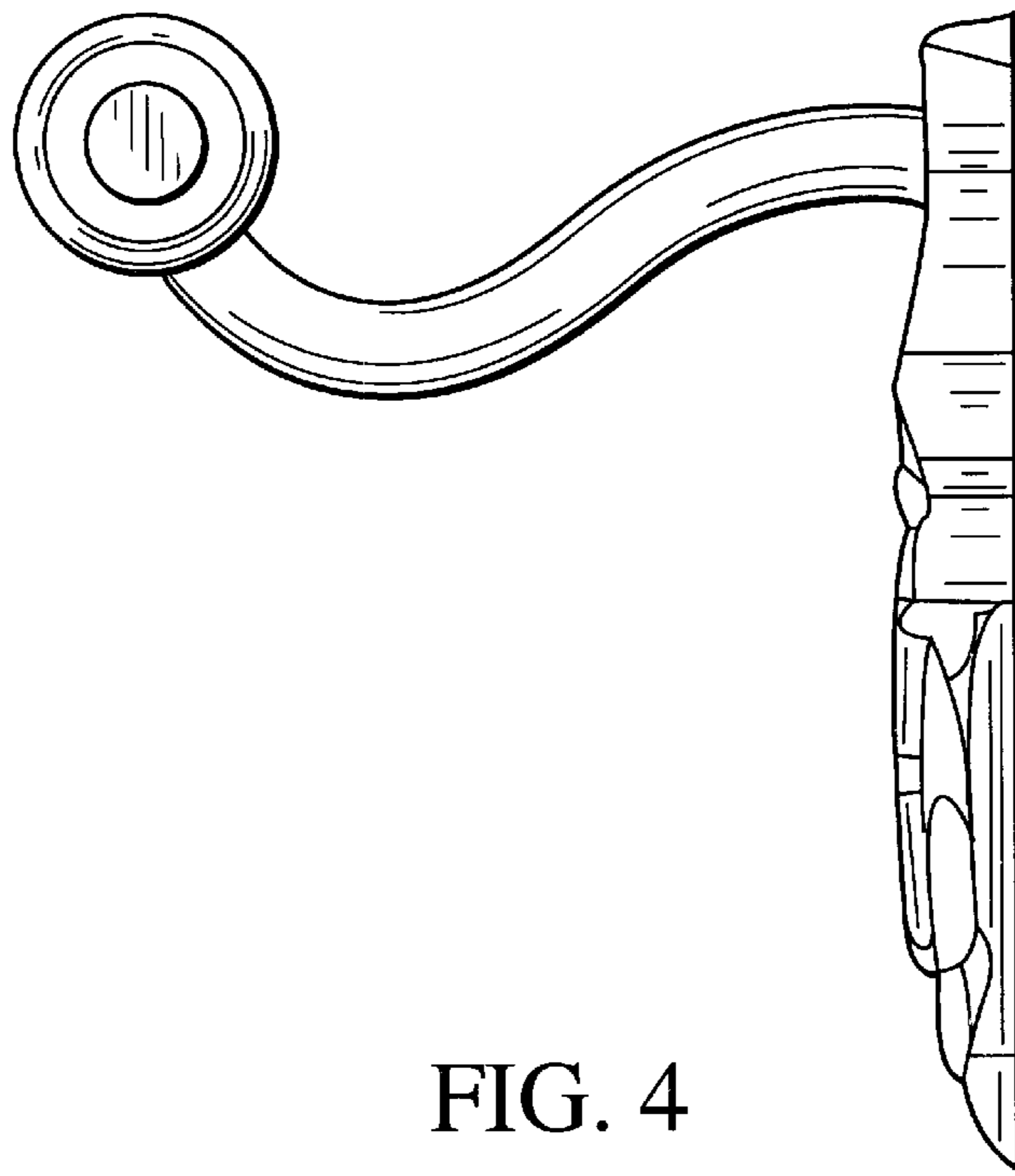


FIG. 4

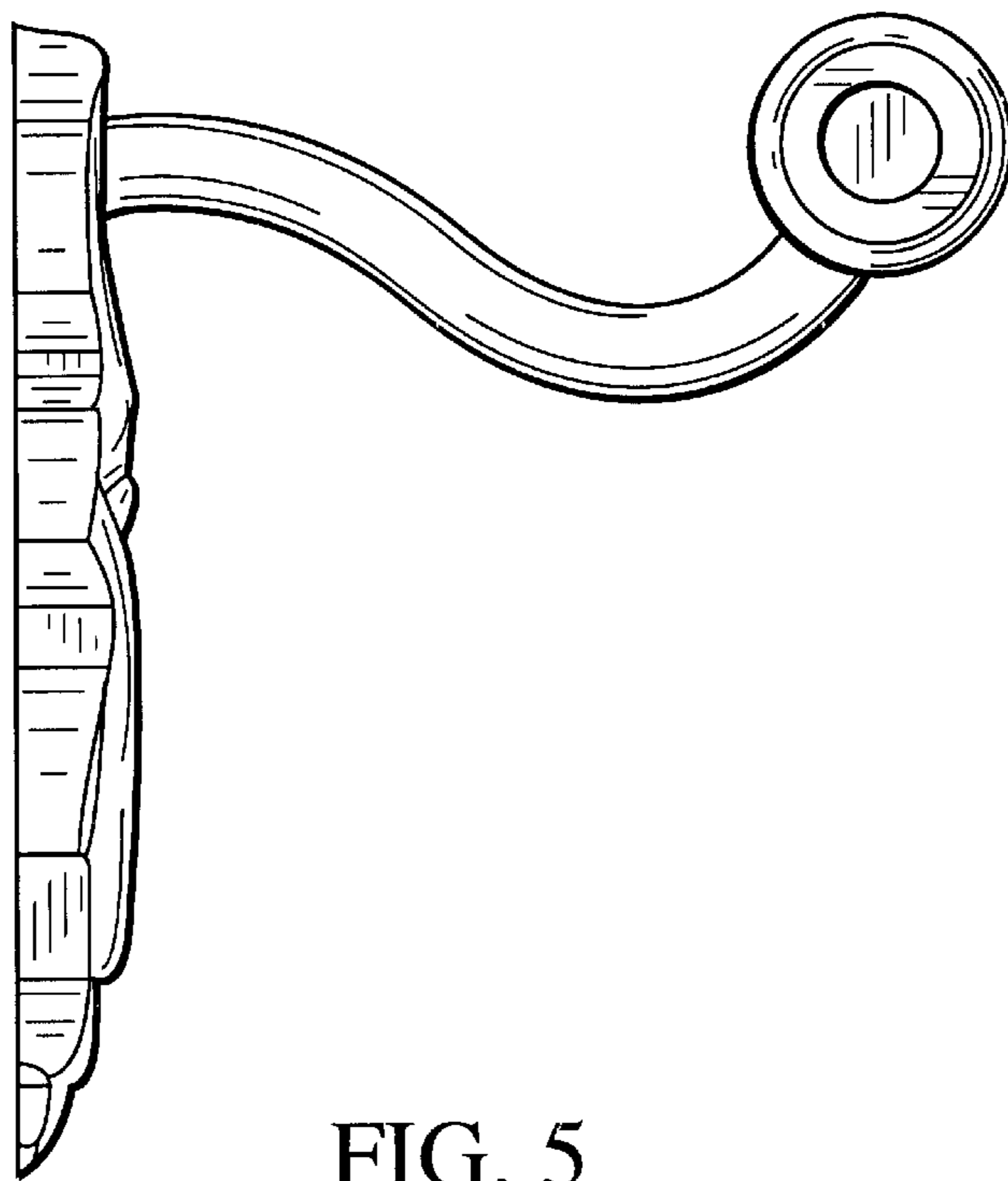


FIG. 5

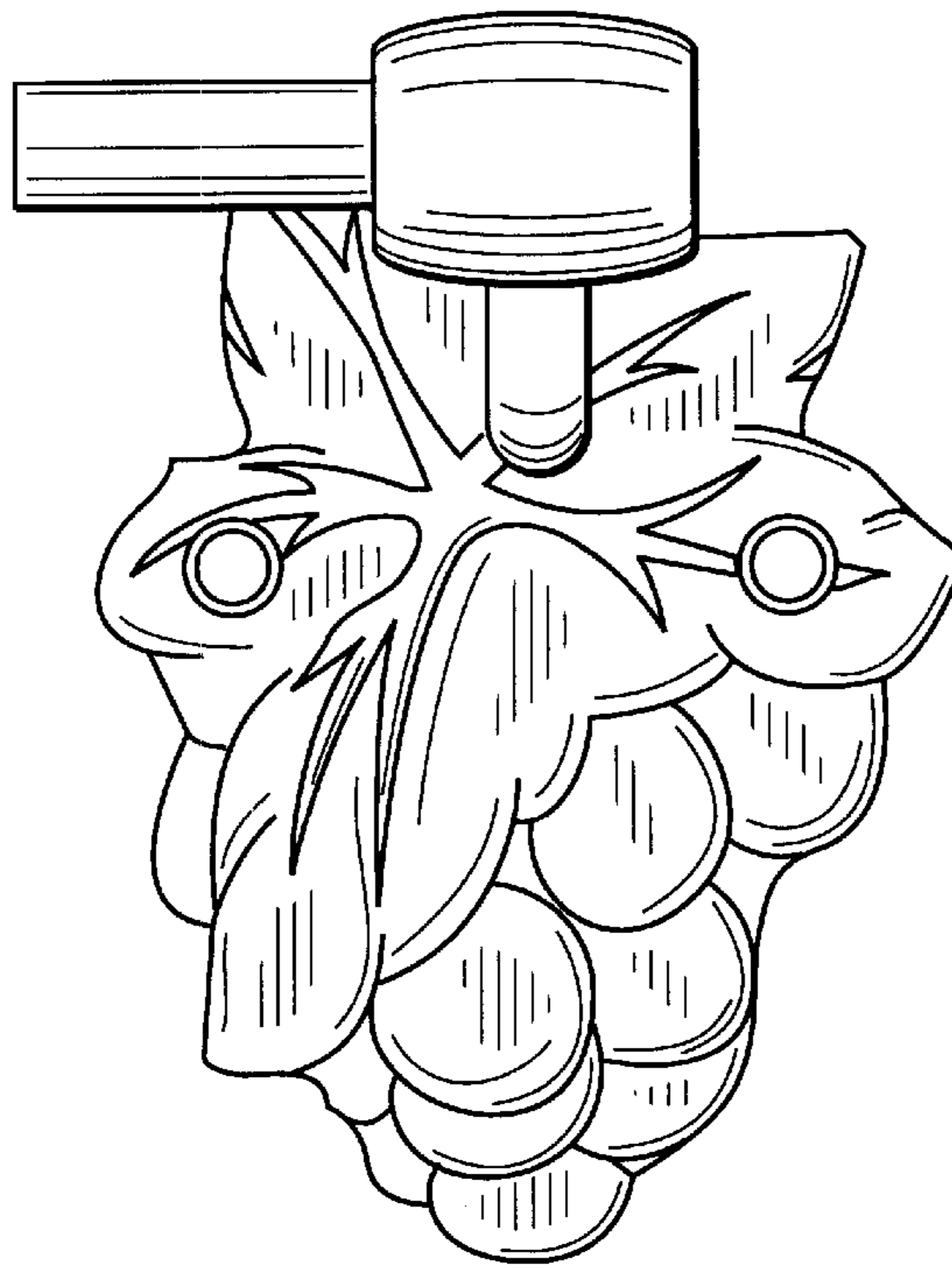


FIG. 6

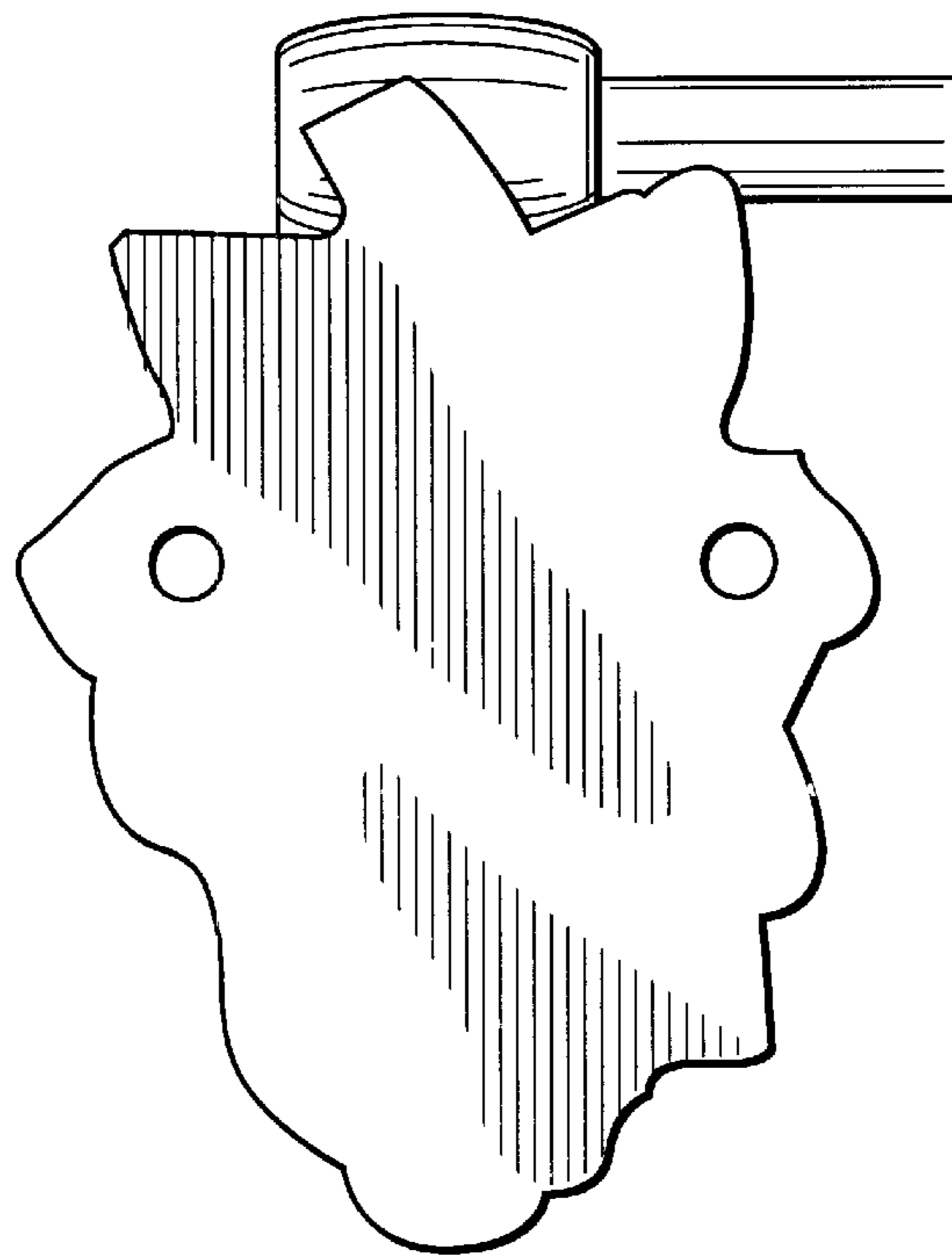


FIG. 7