



US00D464831S

(12) **United States Design Patent**  
**Patton**

(10) **Patent No.:** **US D464,831 S**

(45) **Date of Patent:** **\*\* Oct. 29, 2002**

(54) **CHAIR CONTROL HOUSING**

(75) Inventor: **Arthur A. Patton**, Waterloo (CA)

(73) Assignee: **Leggett & Platt Ltd.**, Waterloo (CA)

(\*\*) Term: **14 Years**

(21) Appl. No.: **29/133,475**

(22) Filed: **Nov. 30, 2000**

(51) **LOC (7) Cl.** ..... **06-06**

(52) **U.S. Cl.** ..... **D6/500**

(58) **Field of Search** ..... D6/334, 364, 365,  
D6/366, 367, 500, 501, 502; 297/344.18,  
344.19, 344.21; 248/161, 578

(56) **References Cited**

**U.S. PATENT DOCUMENTS**

D285,633 S	*	9/1986	Doerner	.....	D6/500
D289,591 S	*	5/1987	Groseth	.....	D6/500
D290,073 S	*	6/1987	Doerner	.....	D6/500
D292,459 S	*	10/1987	Doerner	.....	D6/500
D305,487 S	*	1/1990	Kinda	.....	D6/500 X
D433,852 S	*	11/2000	Zhou	.....	D6/500

\* cited by examiner

*Primary Examiner*—Gary D. Watson

(74) *Attorney, Agent, or Firm*—Shook, Hardy & Bacon L.L.P.

(57) **CLAIM**

The ornamental design for a chair control housing, as shown and described.

**DESCRIPTION**

FIG. 1 is a right side perspective view of the chair control housing;

FIG. 2 is a bottom view of the chair control housing of FIG. 1;

FIG. 3 is a left side view of the chair control housing of FIG. 1;

FIG. 4 is a right side view of the chair control housing of FIG. 1;

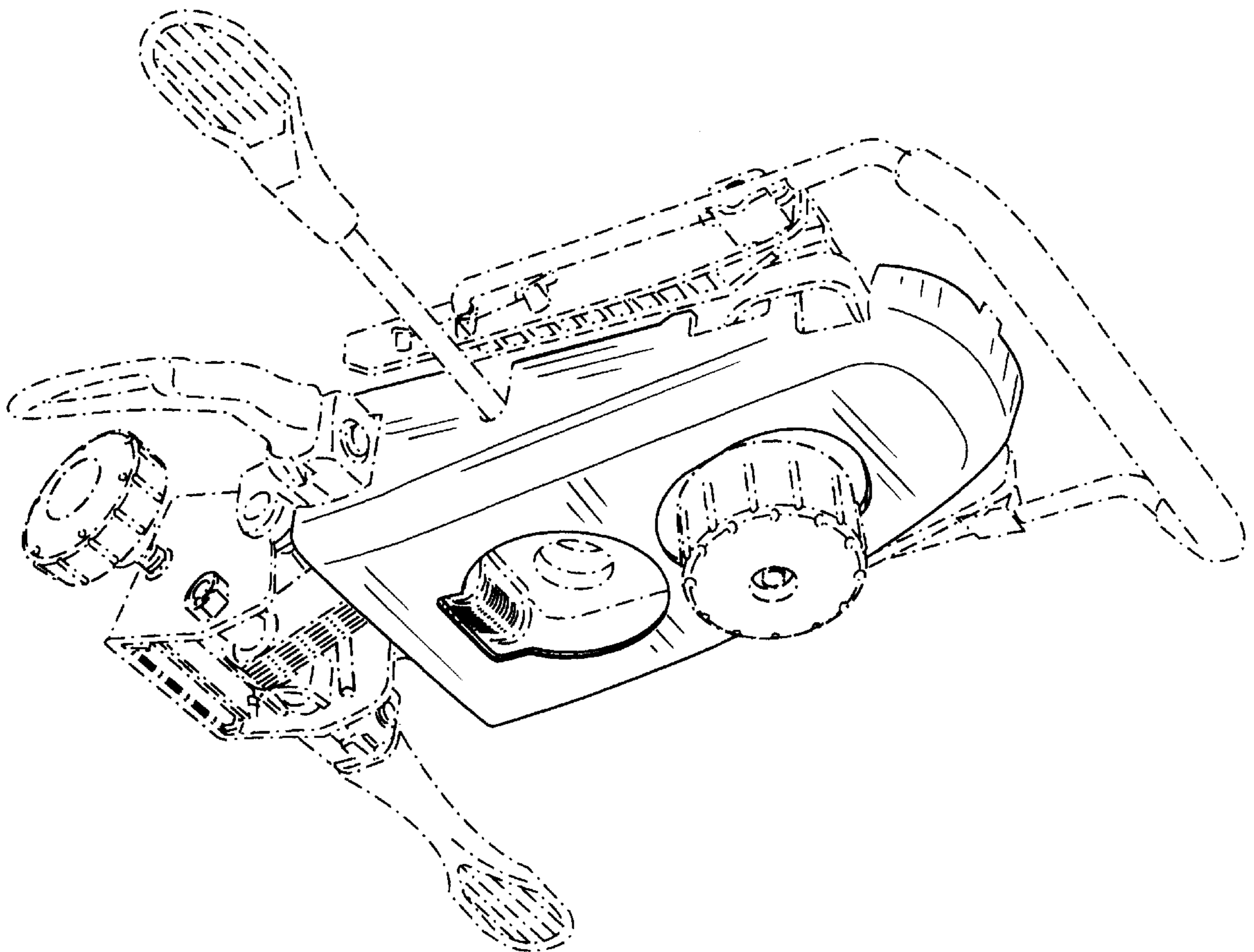
FIG. 5 is a rear view of the chair control housing of FIG. 1;

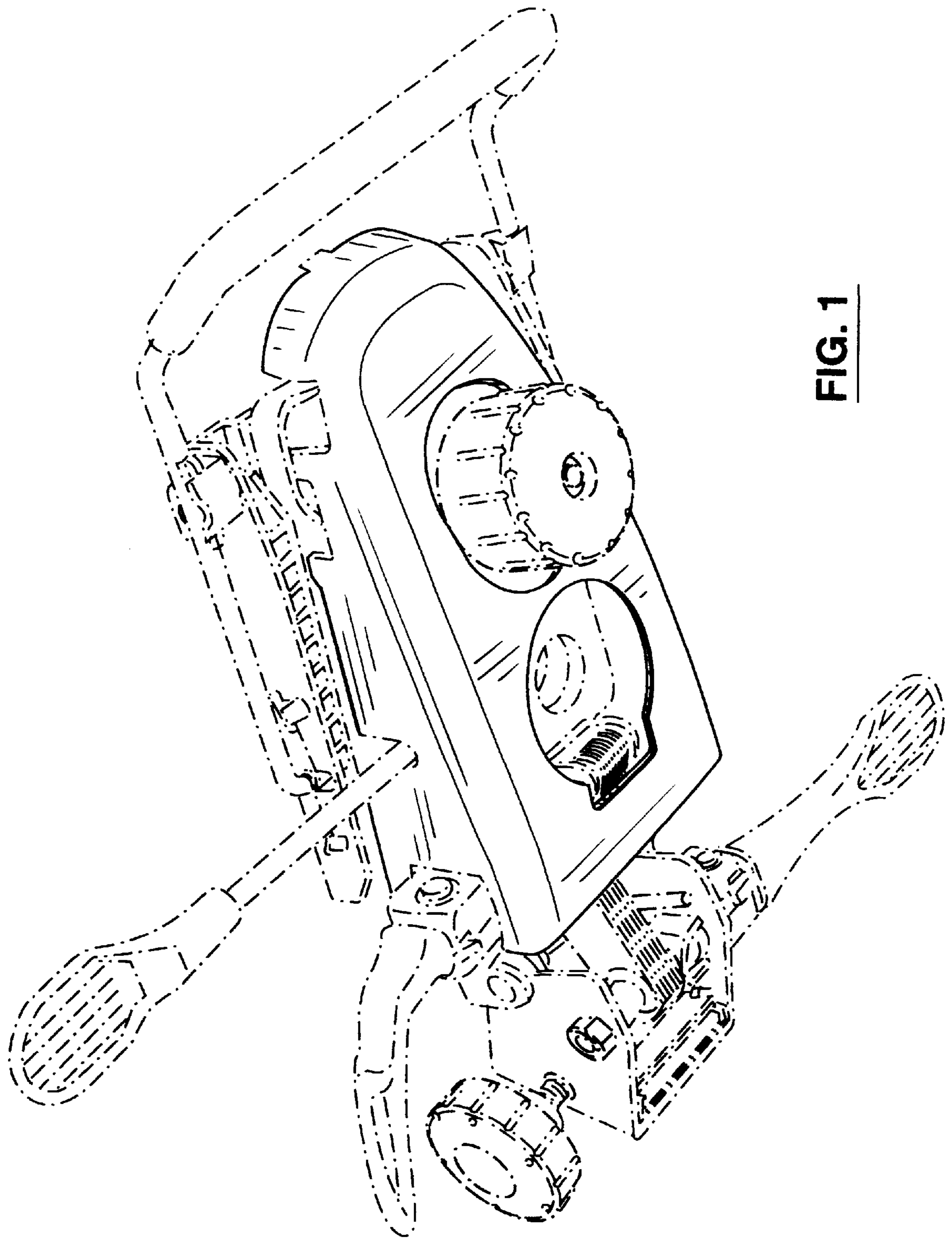
FIG. 6 is a front side view of the chair control housing of FIG. 1; and,

FIG. 7 is a top view of the chair control housing of FIG. 1.

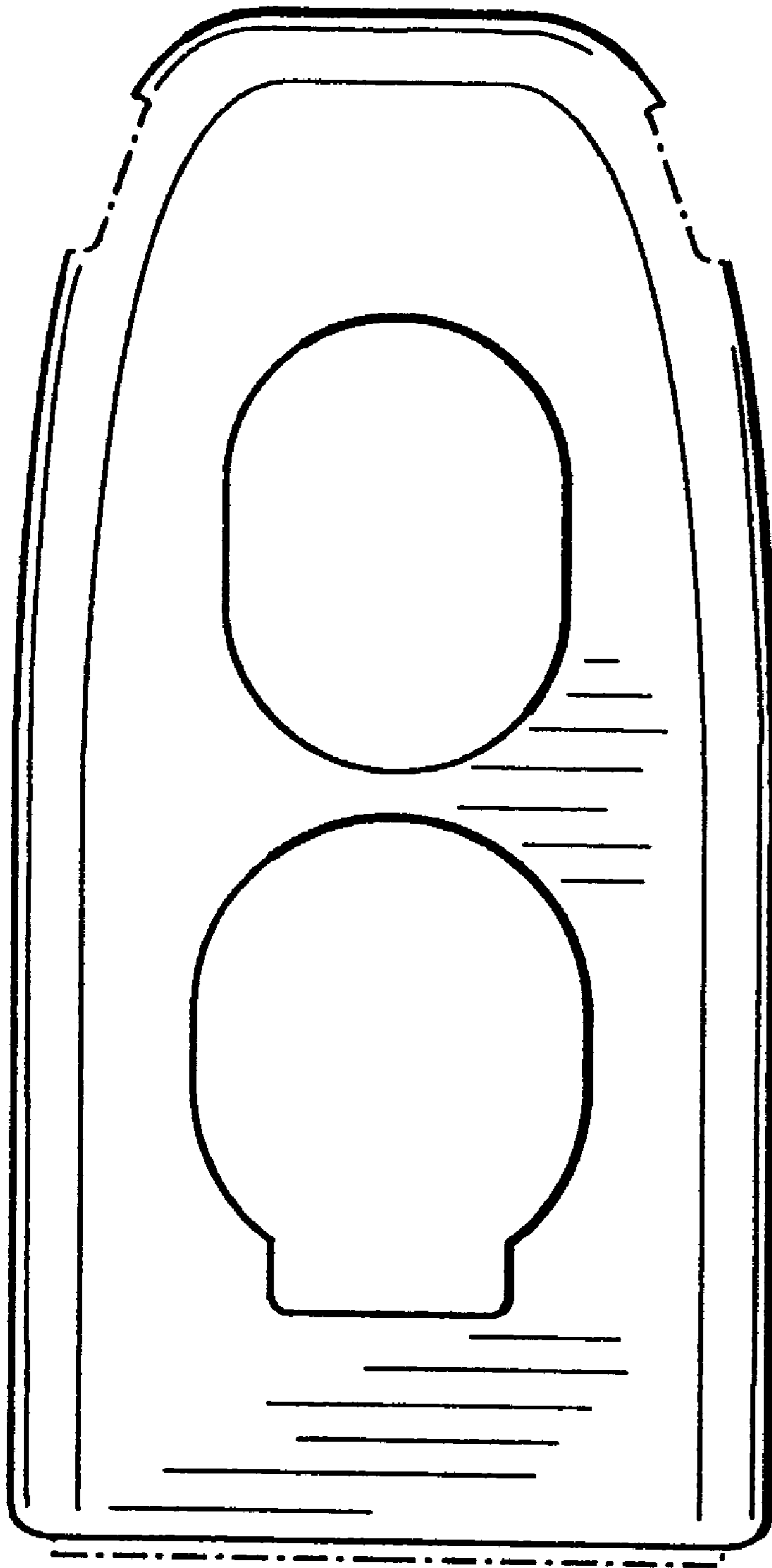
The broken lines shown in FIG. 1 are for environmental purposes only. The broken lines which define boundary line edges of the design are shown in FIGS. 1 through 7. All broken lines form no part of the claimed design.

**1 Claim, 4 Drawing Sheets**

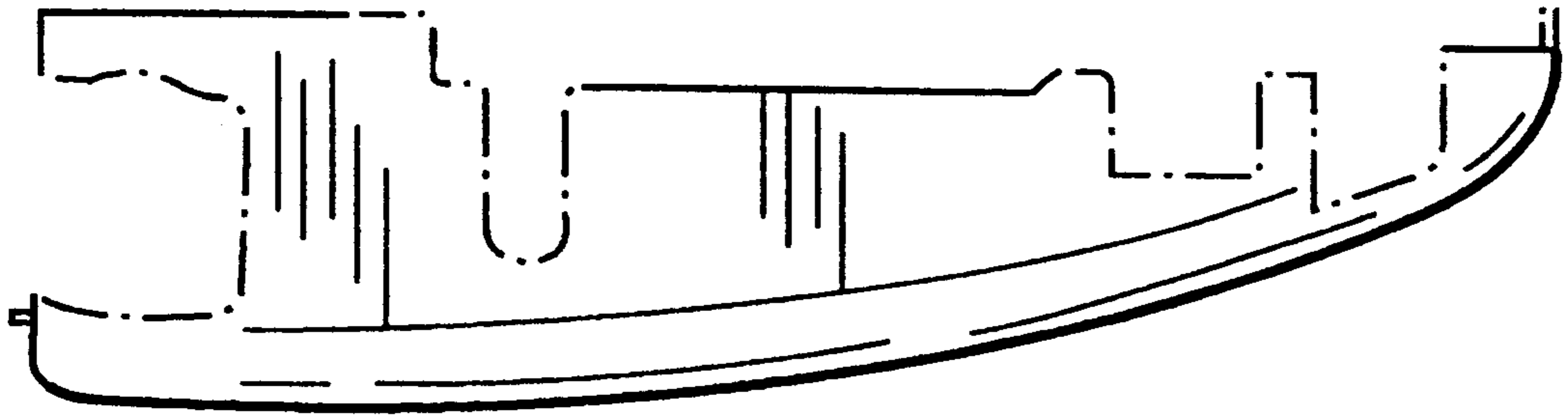




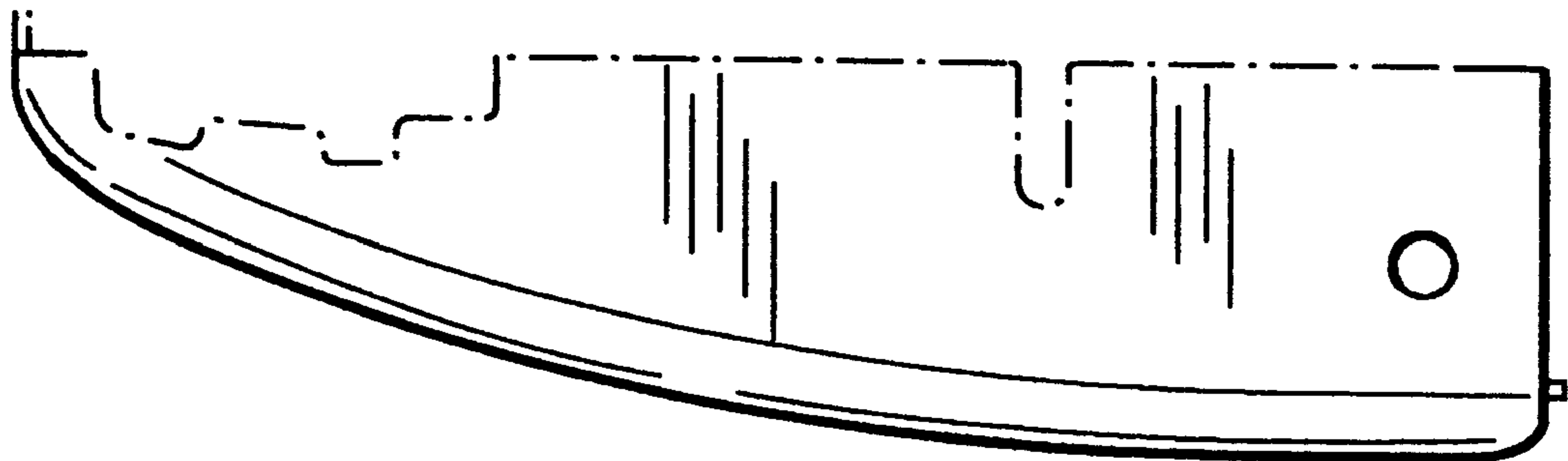
**FIG. 1**



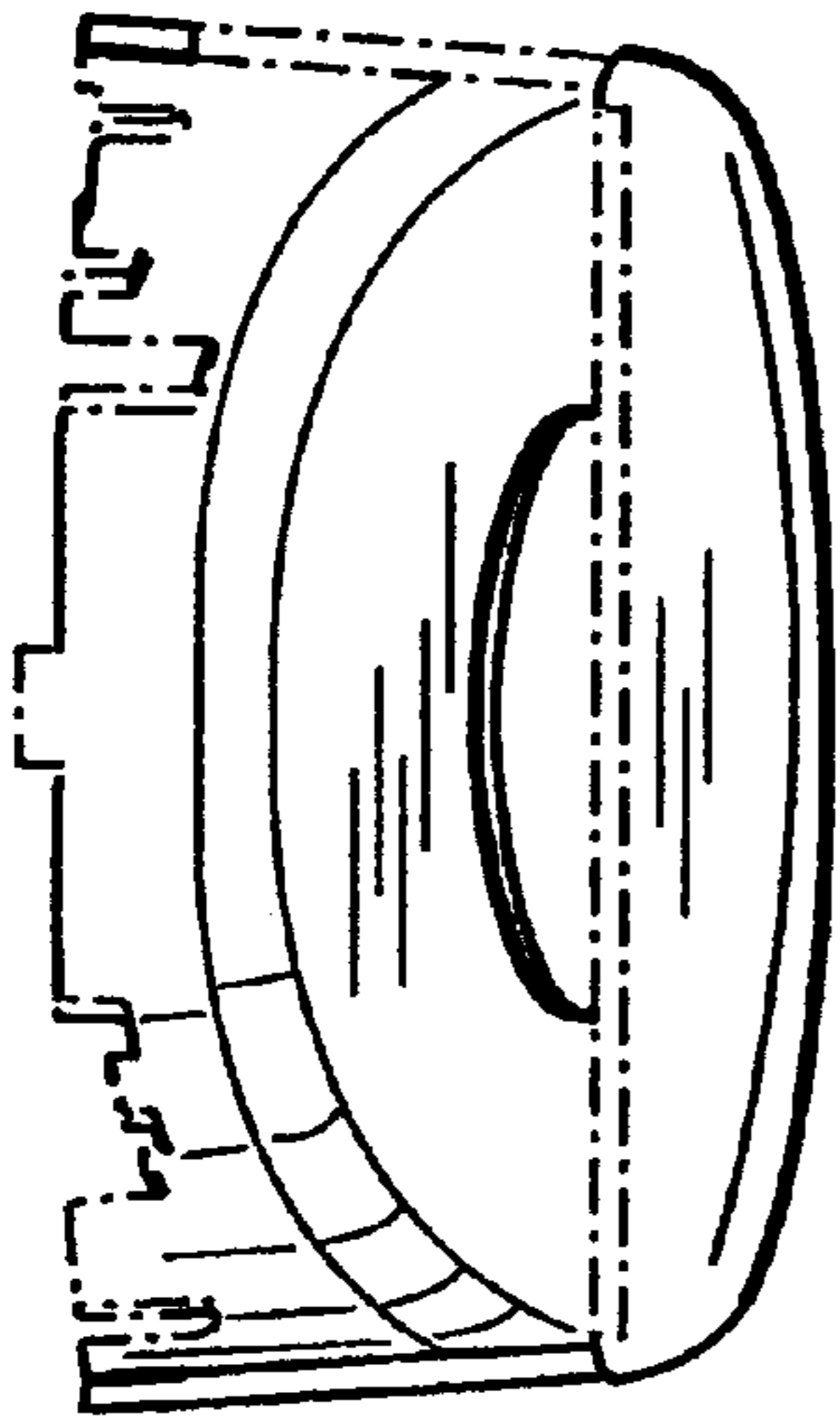
**FIG. 2**



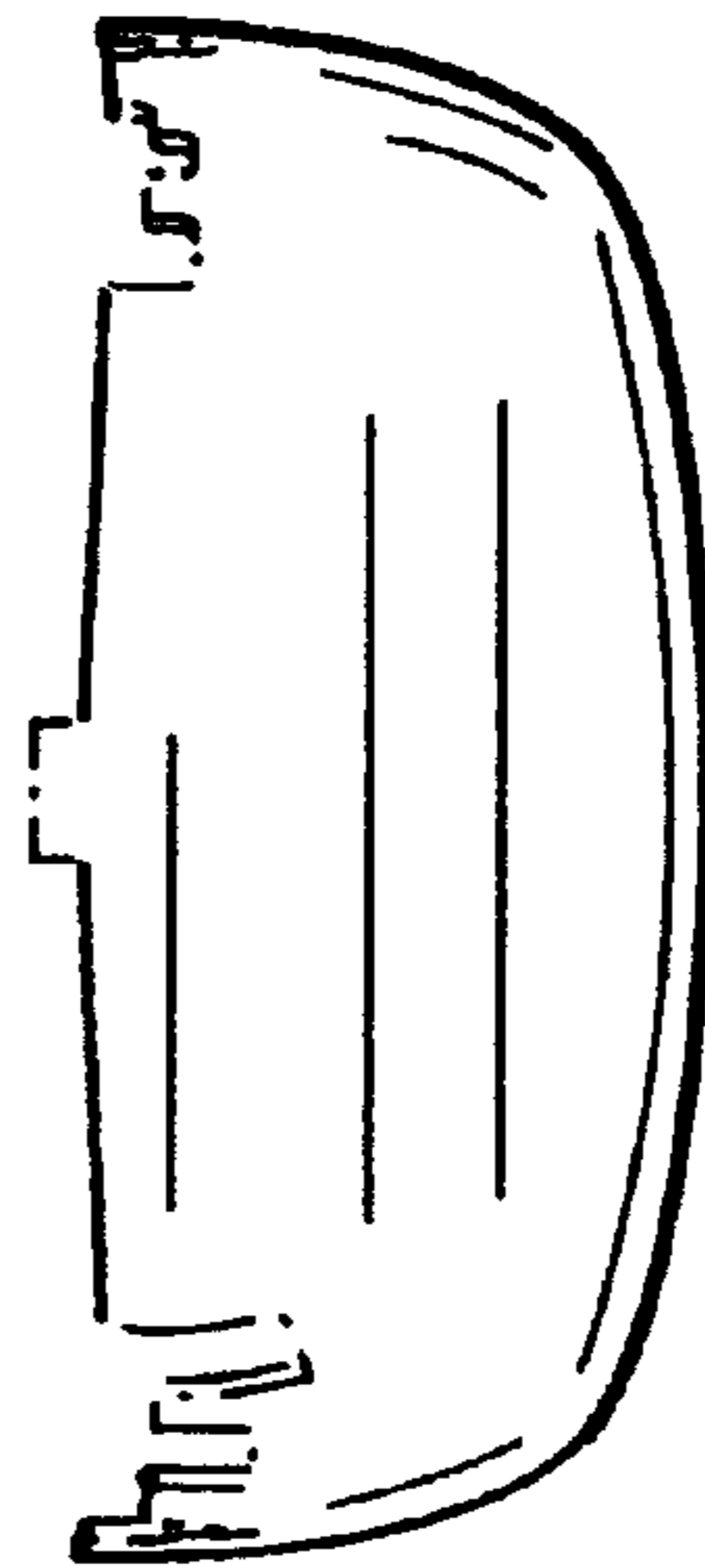
**FIG. 3**



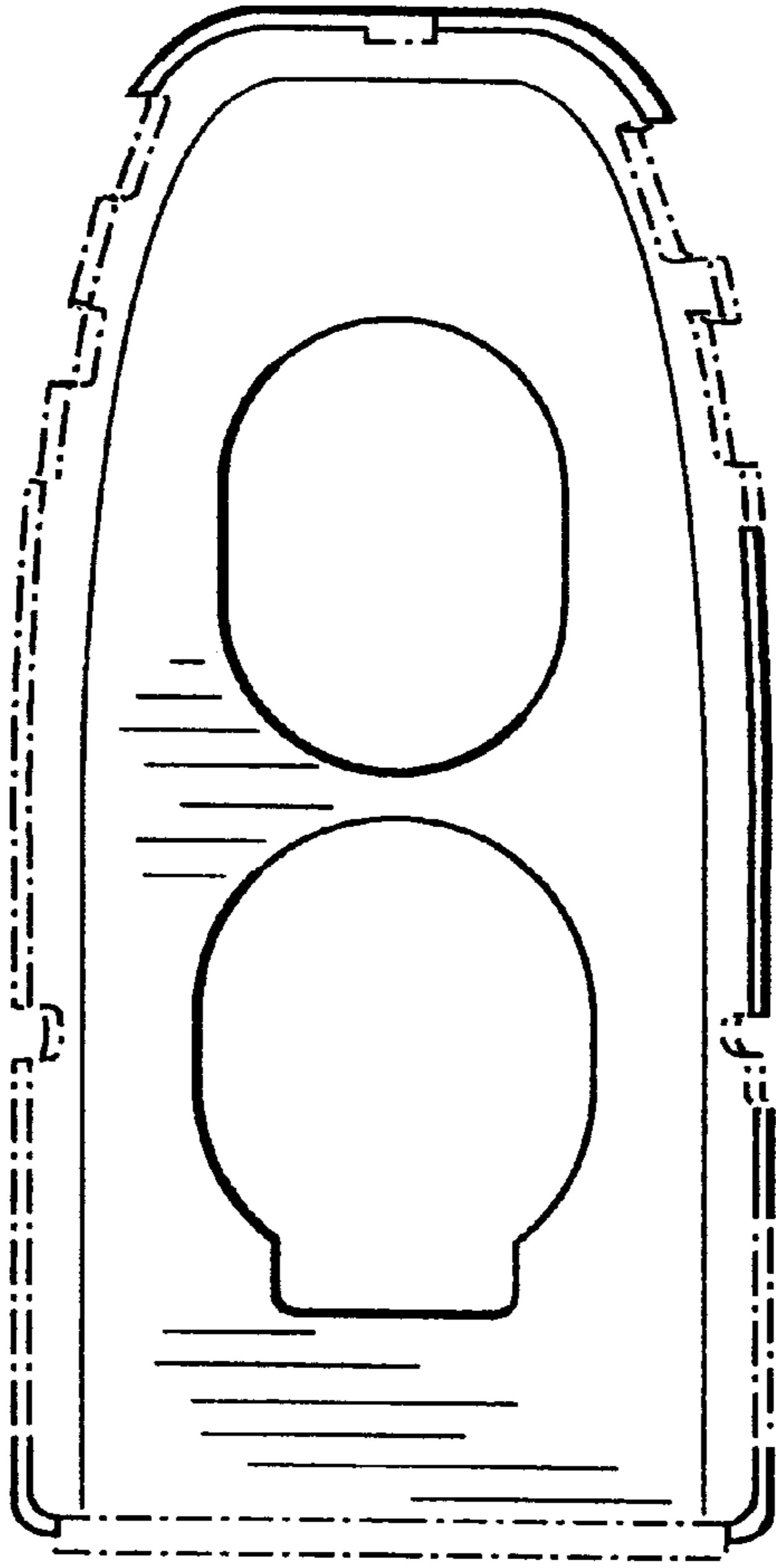
**FIG. 4**



**FIG. 5**



**FIG. 6**



**FIG. 7**