



US00D464825S

(12) **United States Design Patent**  
**Gratiot**

(10) **Patent No.:** **US D464,825 S**

(45) **Date of Patent:** **\*\* Oct. 29, 2002**

(54) **DISPLAY STAND FOR WATCHES**

D282,127 S \* 1/1986 Weiller ..... D6/476

(75) Inventor: **Daniel Gratiot**, Bern (CH)

D393,554 S \* 4/1998 Baluk et al. .... D6/470

D415,908 S \* 11/1999 Miranda ..... D6/473

(73) Assignee: **Swatch AG**, Bienne (CH)

\* cited by examiner

(\*\*) Term: **14 Years**

*Primary Examiner*—Cathron C. Brooks

(21) Appl. No.: **29/155,110**

(74) *Attorney, Agent, or Firm*—Collen Law Associates,  
P.C.; Robert M. McDermott, Esq.

(22) Filed: **Feb. 1, 2002**

(57) **CLAIM**

**Related U.S. Application Data**

The ornamental design for display stand for watches, as shown and described.

(62) Division of application No. 29/140,550, filed on Apr. 20, 2001, now Pat. No. Des. 457,024.

**DESCRIPTION**

(30) **Foreign Application Priority Data**

Oct. 20, 2000 (XH) ..... DM/053 732

FIG. 1 is a front view of my new and ornamental design for display stand for watches;

(51) **LOC (7) Cl.** ..... **06-04**

FIG. 2 is a rear view thereof;

(52) **U.S. Cl.** ..... **D6/468; D6/476; D6/436**

FIG. 3 is a right side view thereof;

(58) **Field of Search** ..... D6/464, 465, 466,  
D6/467, 468, 473, 474, 476, 436; 211/59.4,  
85.1, 135, 163, 169, 85.5, 85.2, 13.1

FIG. 4 is a left side view thereof;

FIG. 5 is a top view thereof;

FIG. 6 is a bottom view thereof; and,

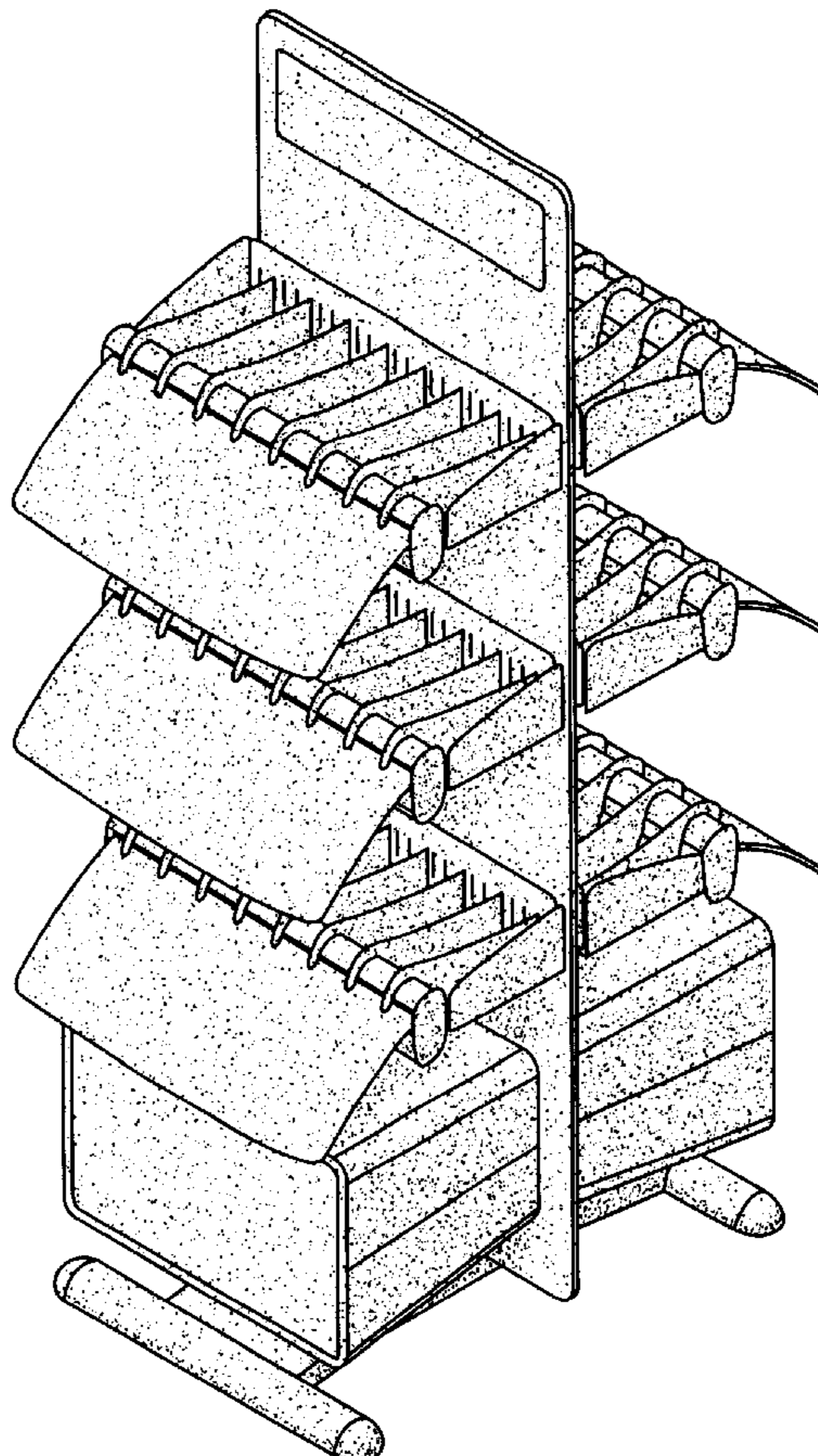
FIG. 7 is a perspective view thereof.

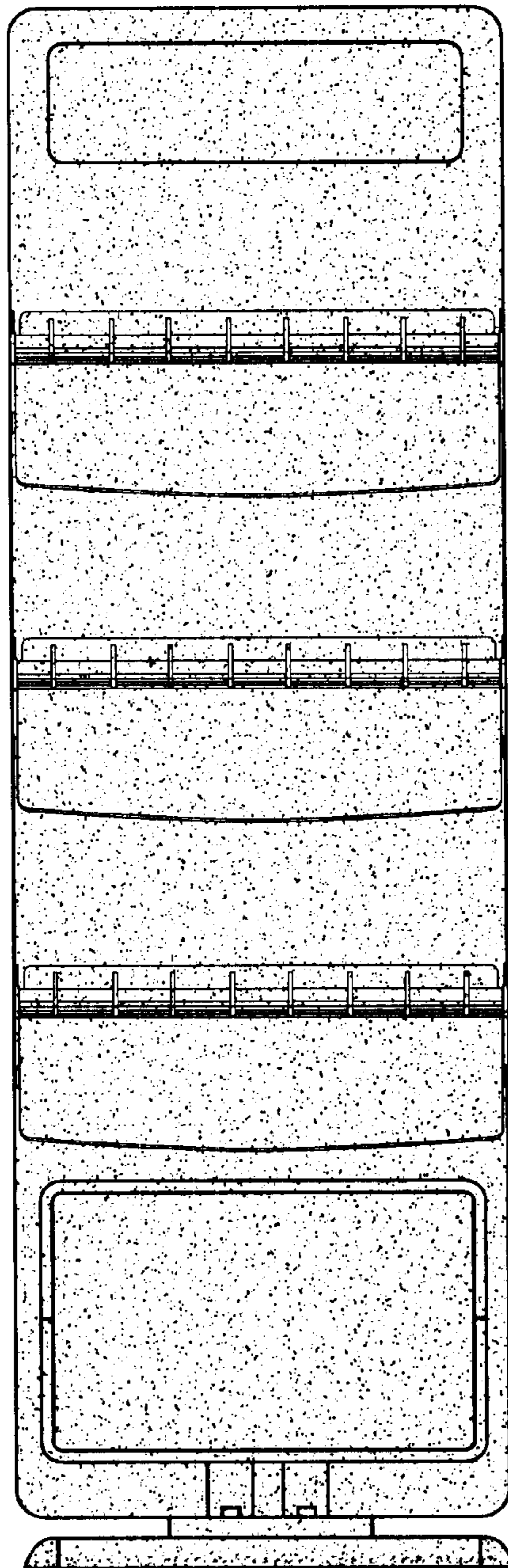
(56) **References Cited**

**U.S. PATENT DOCUMENTS**

D272,400 S \* 1/1984 Persch ..... D6/473

**1 Claim, 4 Drawing Sheets**





*Fig. 1*

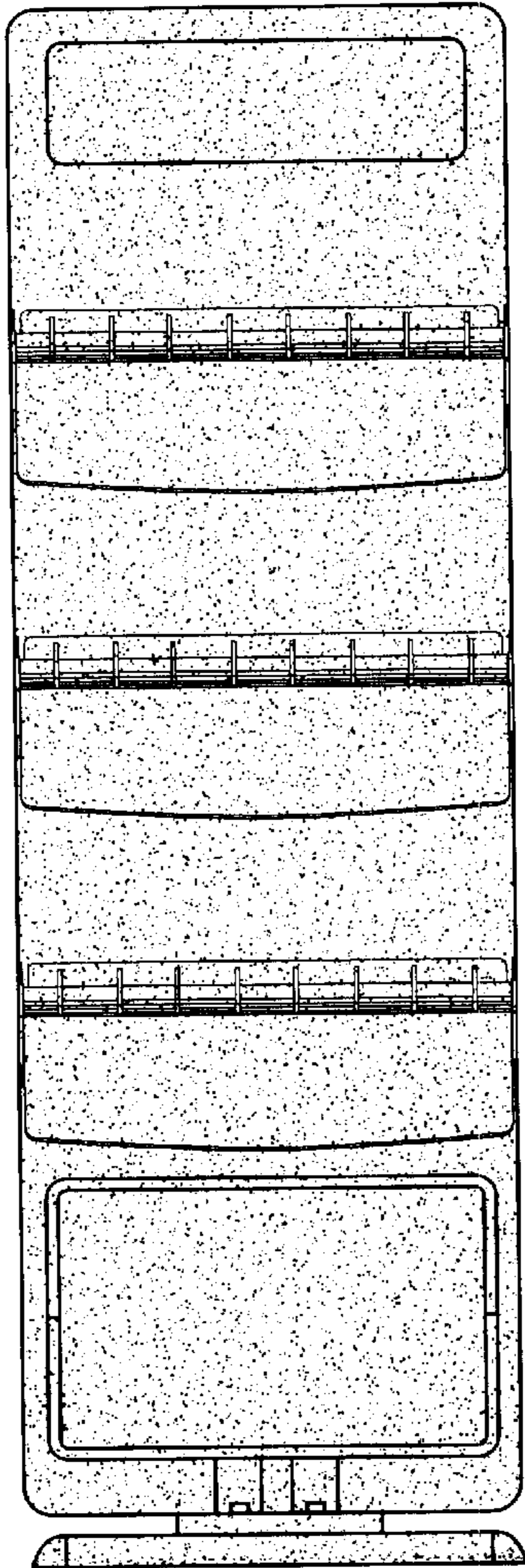


Fig. 2

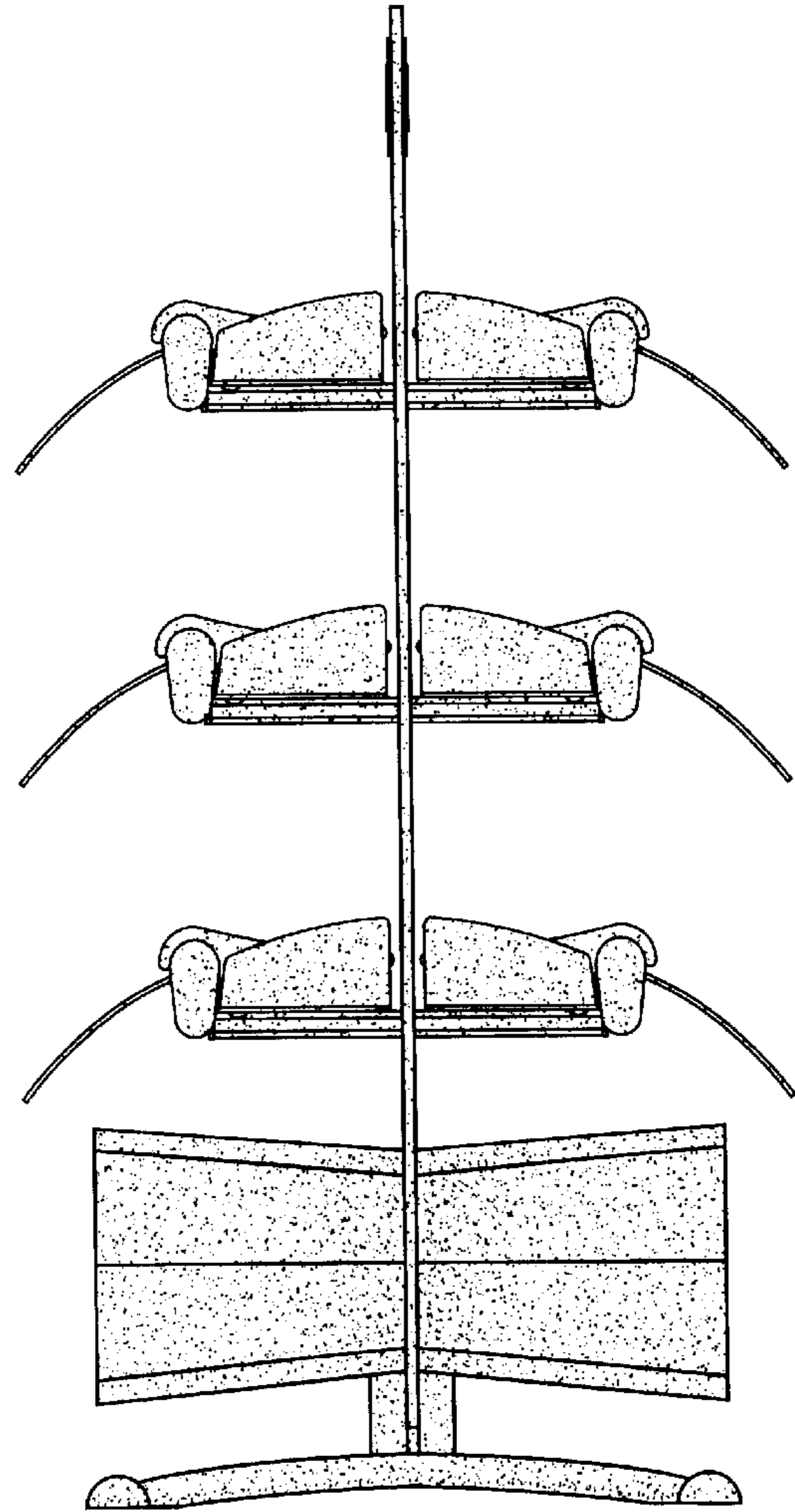
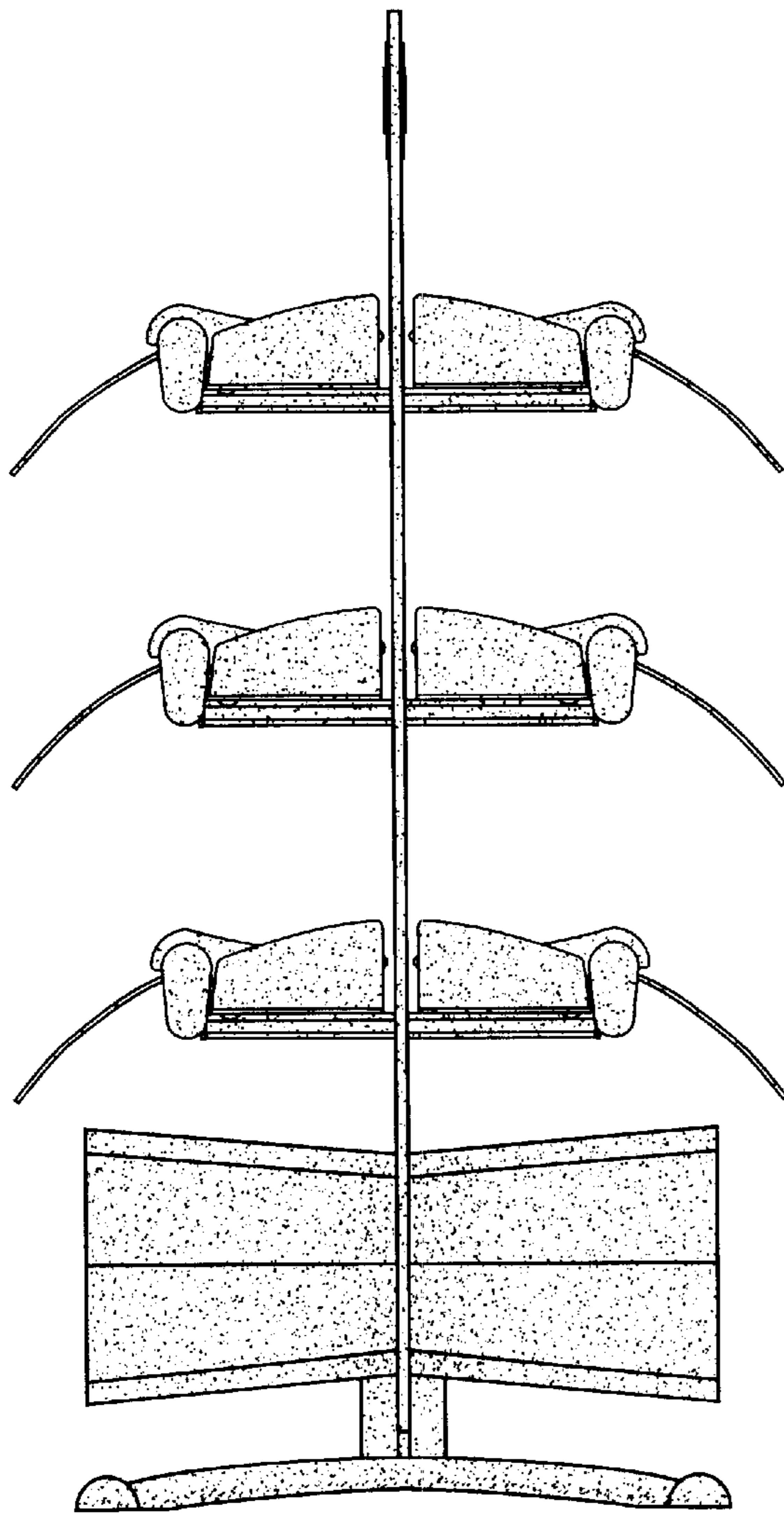
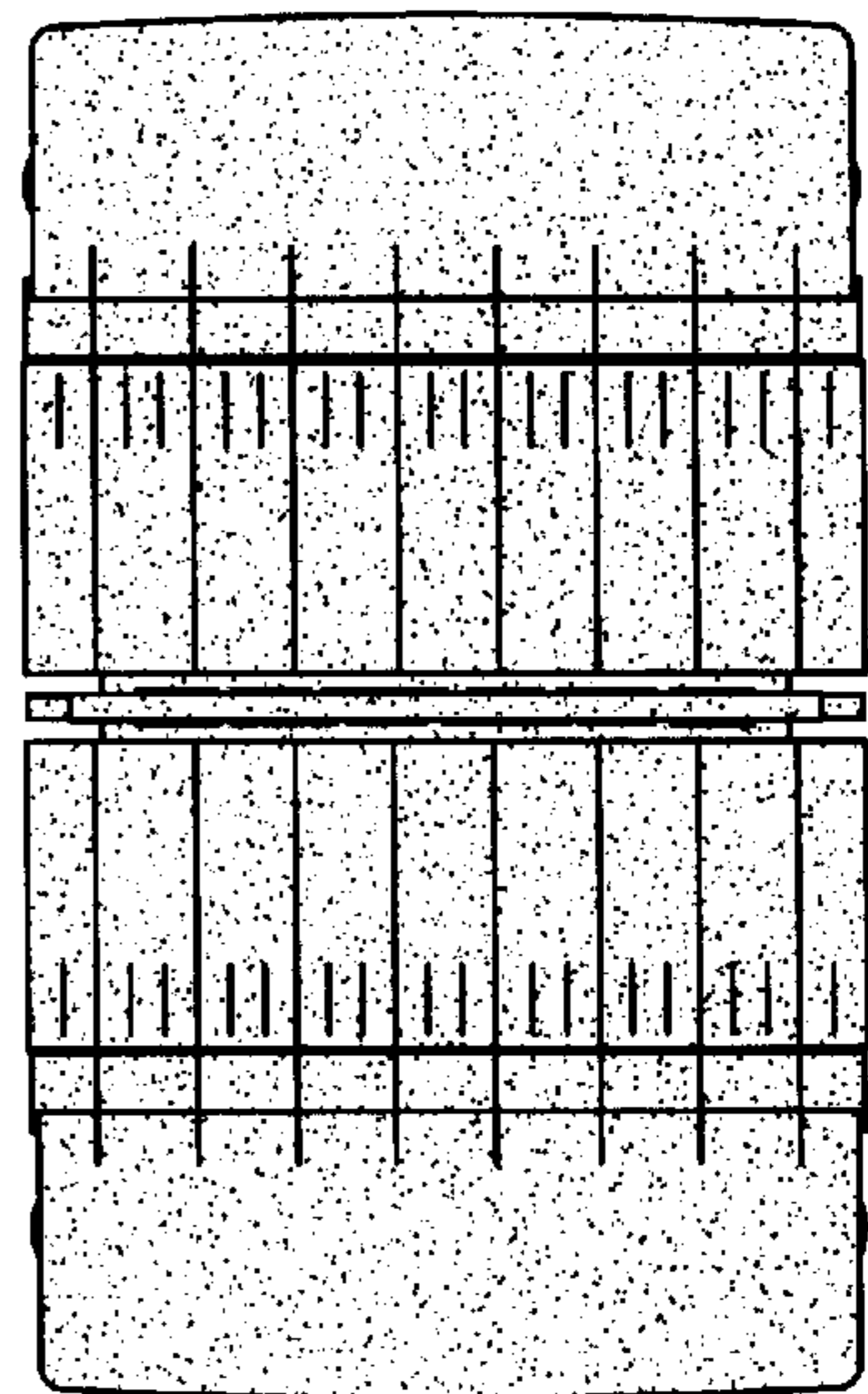


Fig. 3



*Fig. 4*



*Fig. 5*

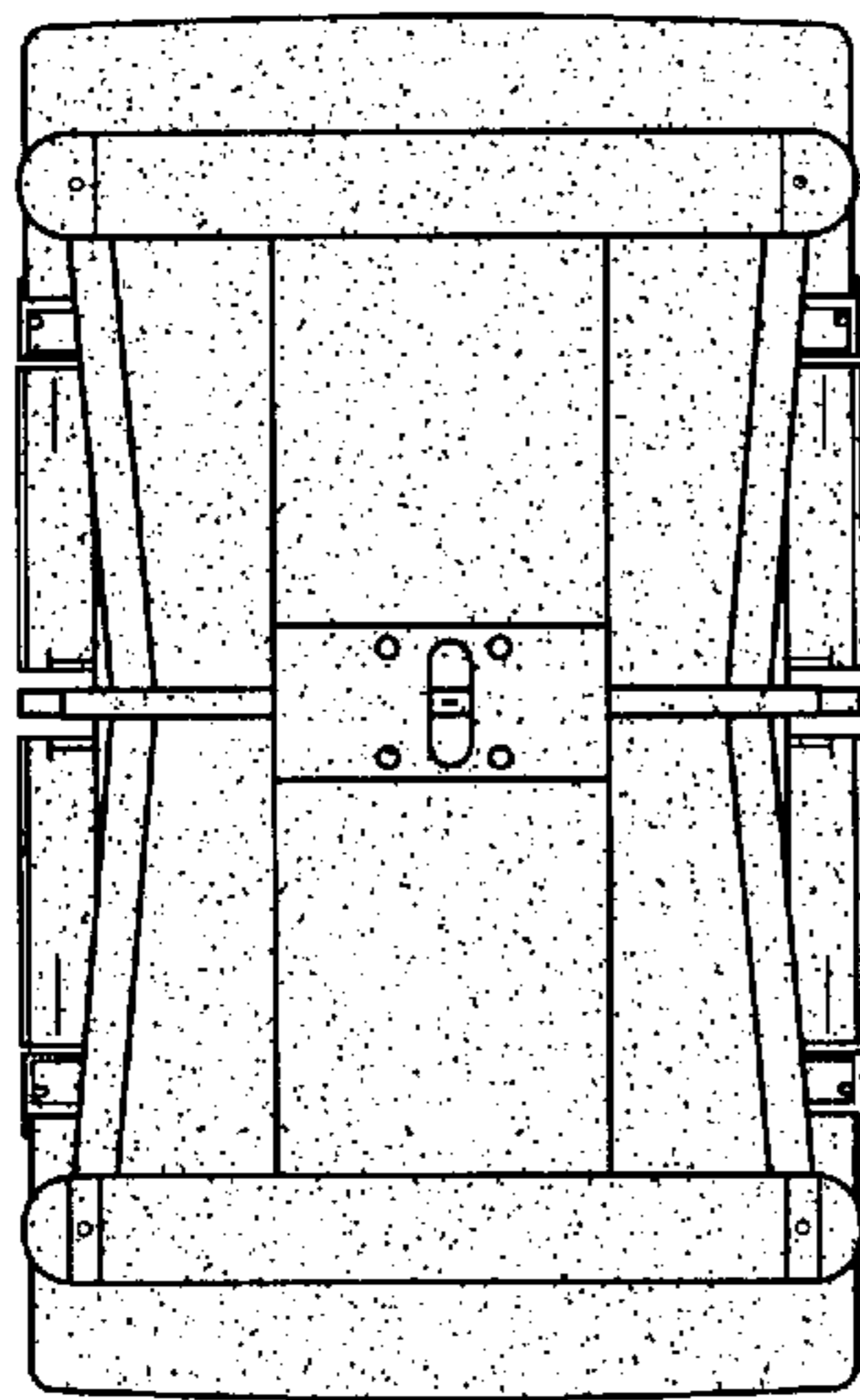


Fig. 6

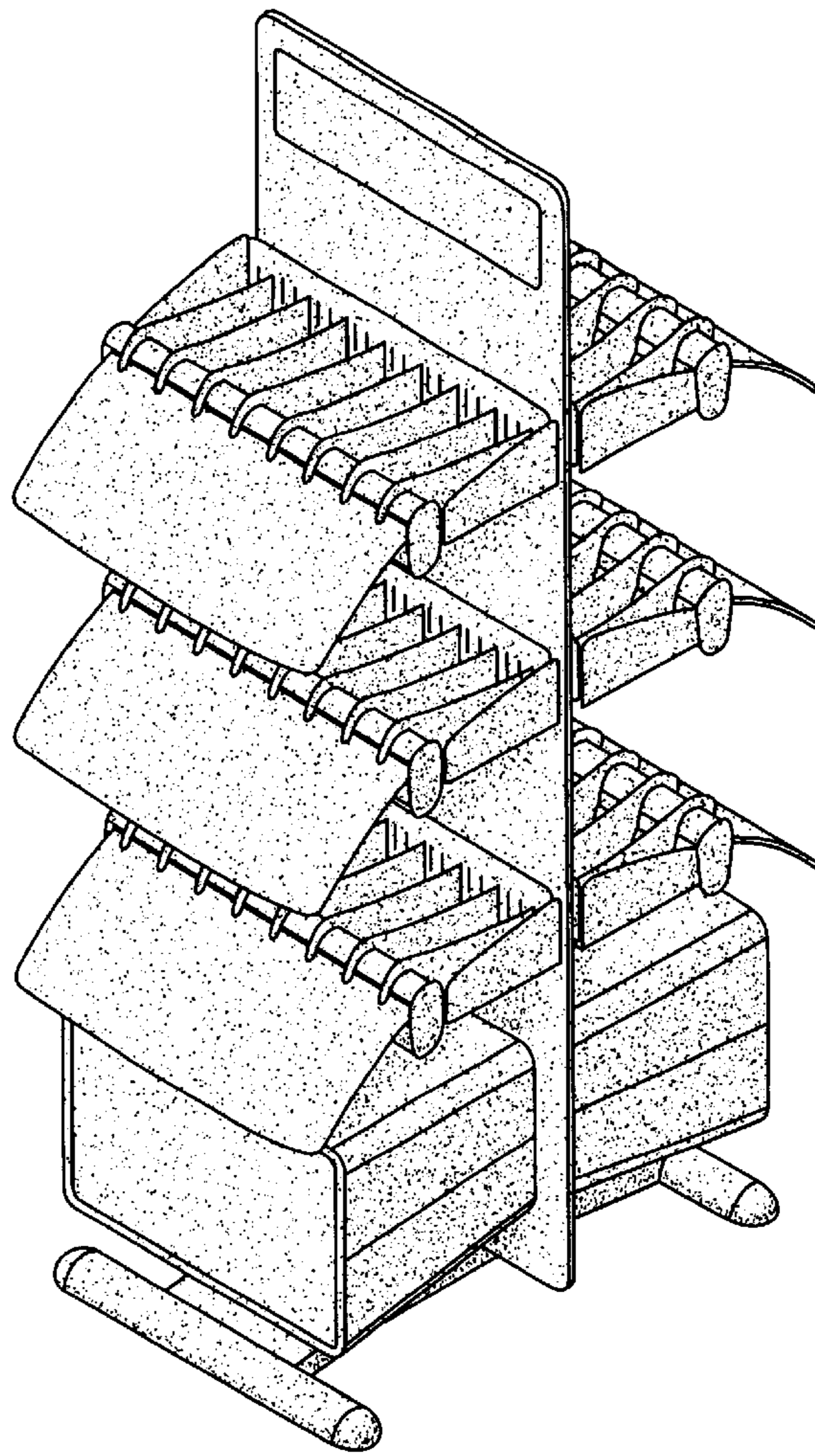


Fig. 7