



US00D464821S

(12) **United States Design Patent**  
**Chiang**

(10) **Patent No.:** **US D464,821 S**

(45) **Date of Patent:** **\*\* Oct. 29, 2002**

(54) **CHAIR**

D437,514 S \* 2/2001 Mulligan et al. .... D6/502

(75) Inventor: **Ping-Kuei Chiang**, Melaka (MY)

**OTHER PUBLICATIONS**

(73) Assignee: **Jolly Wood Sdn. Bhd.**, Melaka (MY)

Heywood–Wakefield, Old Colony, p. 19, chair at top.\*  
L.L. Bean, p. 27, chair at bottom.\*

(\*\*) Term: **14 Years**

\* cited by examiner

(21) Appl. No.: **29/148,312**

*Primary Examiner*—Gary D. Watson

(22) Filed: **Sep. 17, 2001**

(74) *Attorney, Agent, or Firm*—David A. Belasco; Belasco  
Jacobs & Townsley, LLP

(51) **LOC (7) Cl.** ..... **06-01**

(57) **CLAIM**

(52) **U.S. Cl.** ..... **D6/370; D6/380**

The ornamental design for a chair, as shown.

(58) **Field of Search** ..... D6/334, 370, 374,  
D6/379, 380, 500, 501, 502; 297/446.1,  
452.63

**DESCRIPTION**

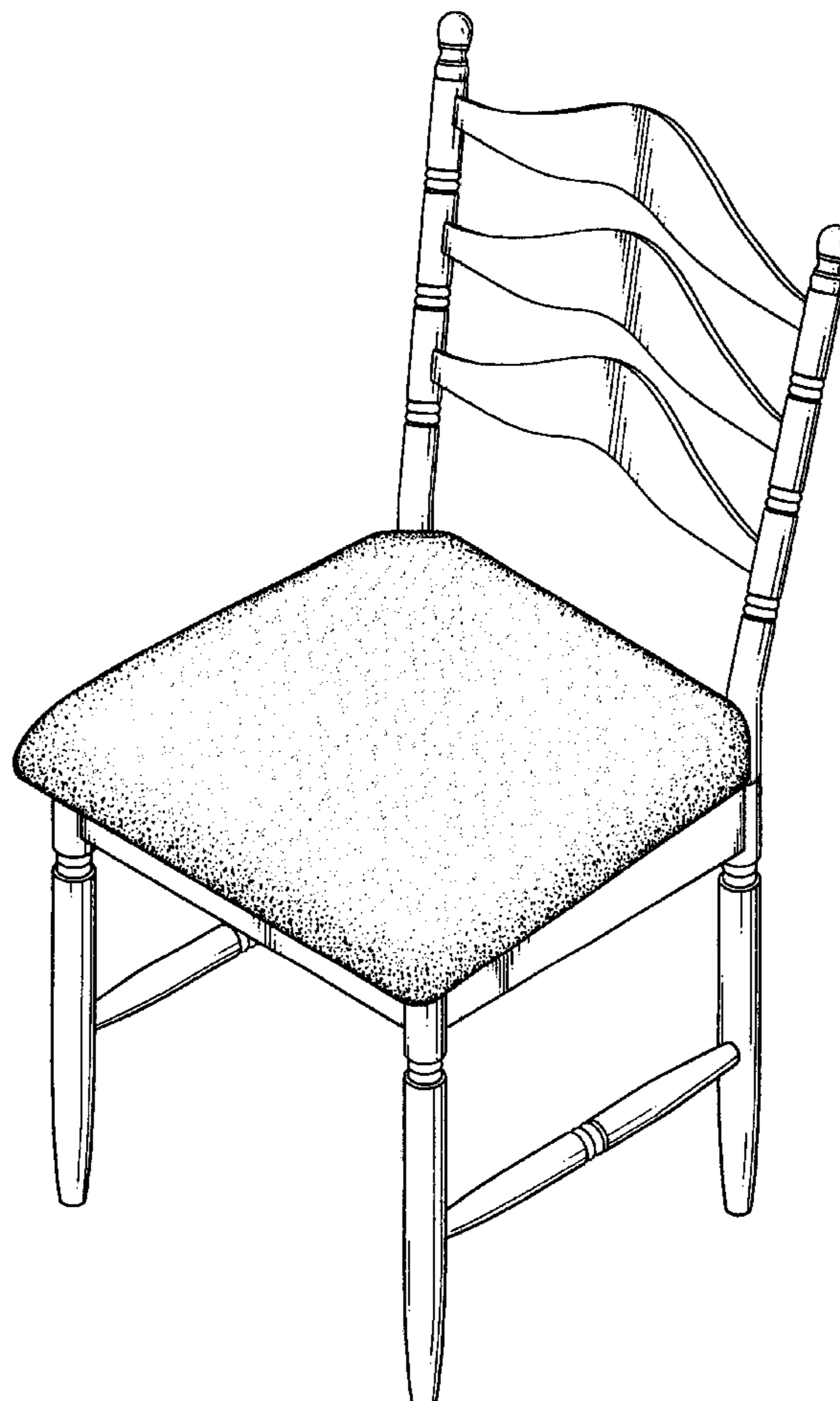
(56) **References Cited**

FIG. 1 is a perspective view of a chair, showing my new design;  
FIG. 2 is a front view thereof;  
FIG. 3 is a rear view thereof;  
FIG. 4 is a left side view thereof;  
FIG. 5 is a right side view thereof;  
FIG. 6 is a top plan view thereof; and,  
FIG. 7 is a bottom plan view thereof.

**U.S. PATENT DOCUMENTS**

D81,172 S	*	5/1930	Whitcomb	.....	D6/379
D90,850 S	*	10/1933	Kayser	.....	D6/370
D353,720 S	*	12/1994	Ward	.....	D6/370
D396,359 S	*	7/1998	Jiang	.....	D6/370
D399,689 S	*	10/1998	Lee	.....	D6/502
D436,473 S	*	1/2001	Mulligan et al.	.....	D6/500

**1 Claim, 7 Drawing Sheets**



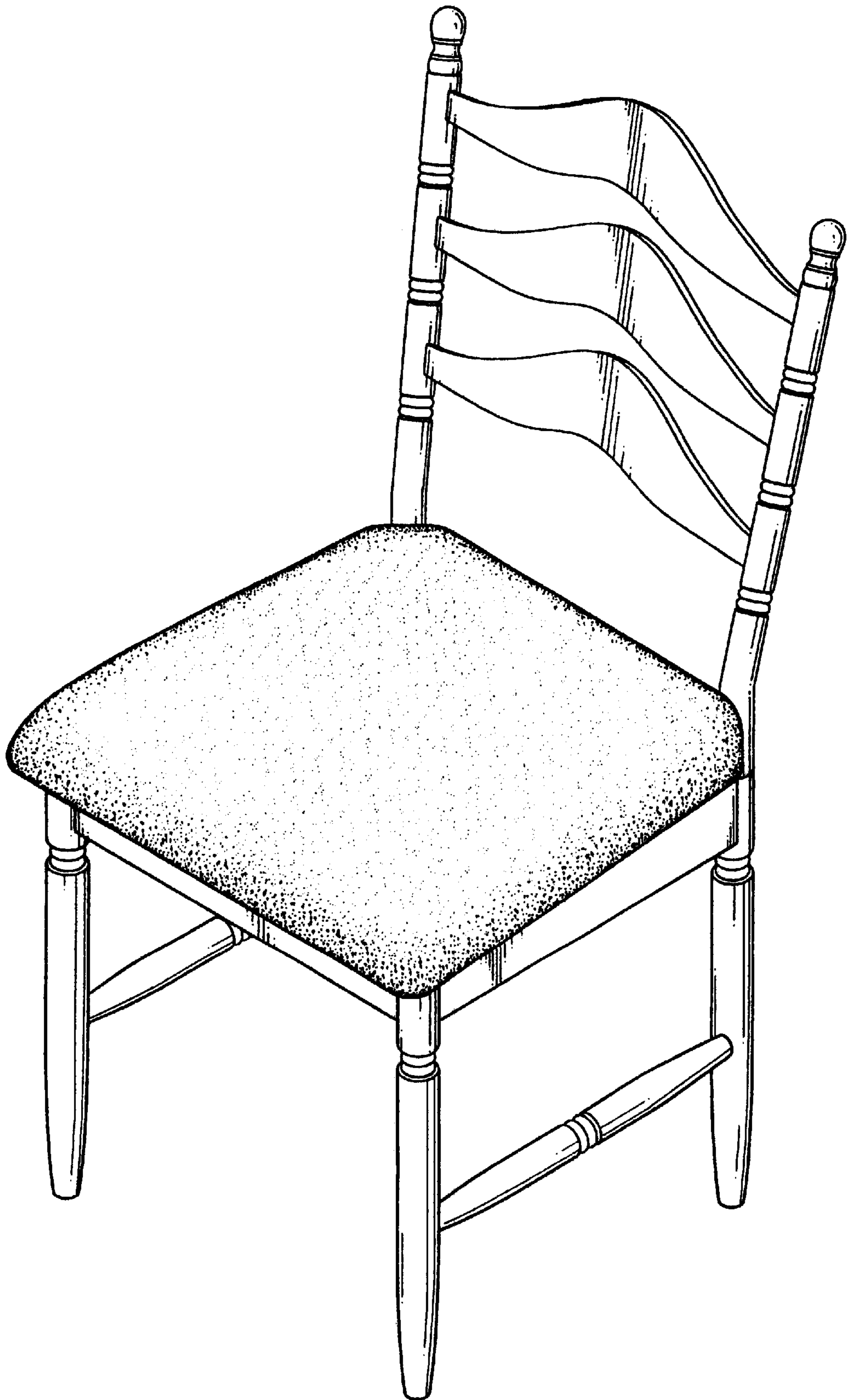


FIG. 1

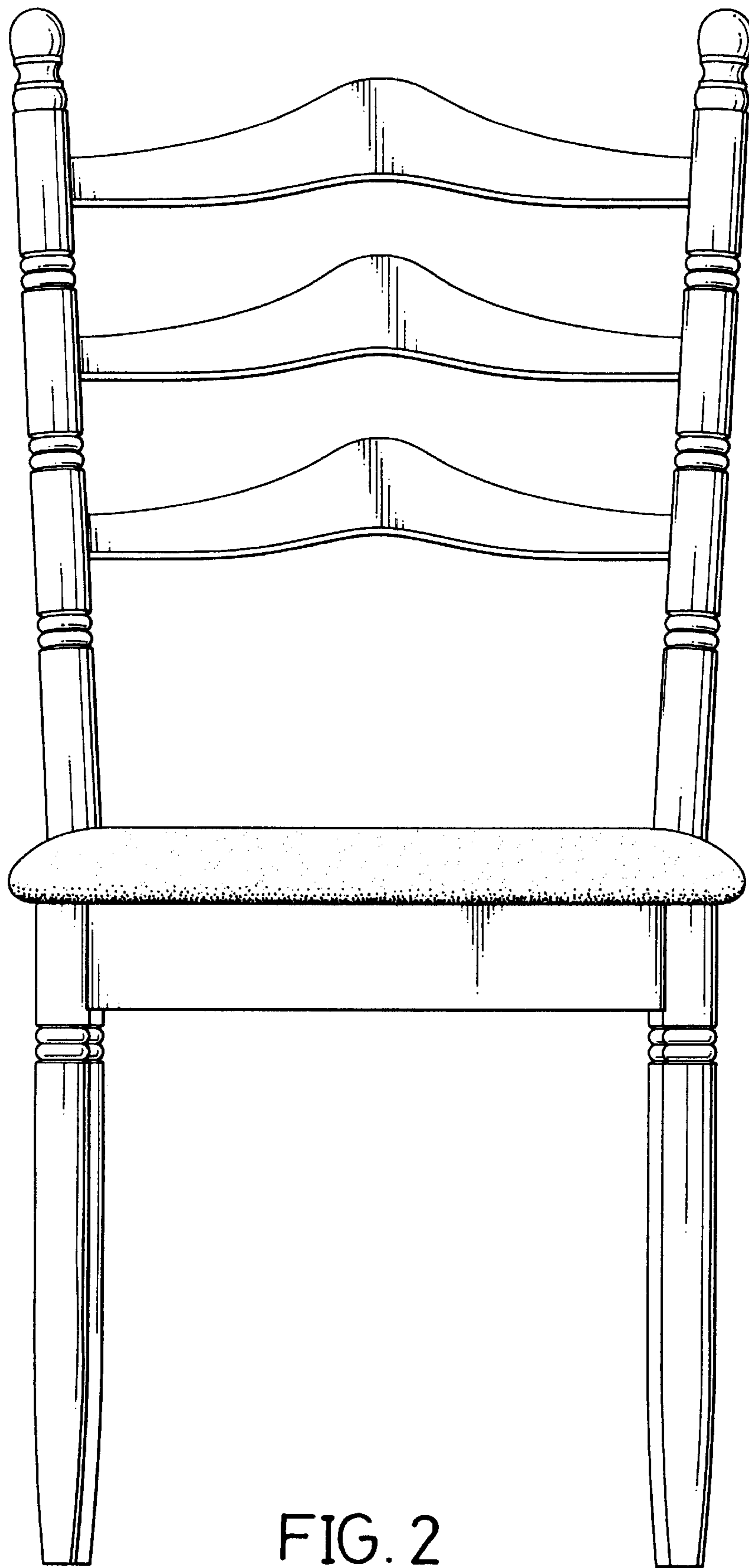


FIG. 2

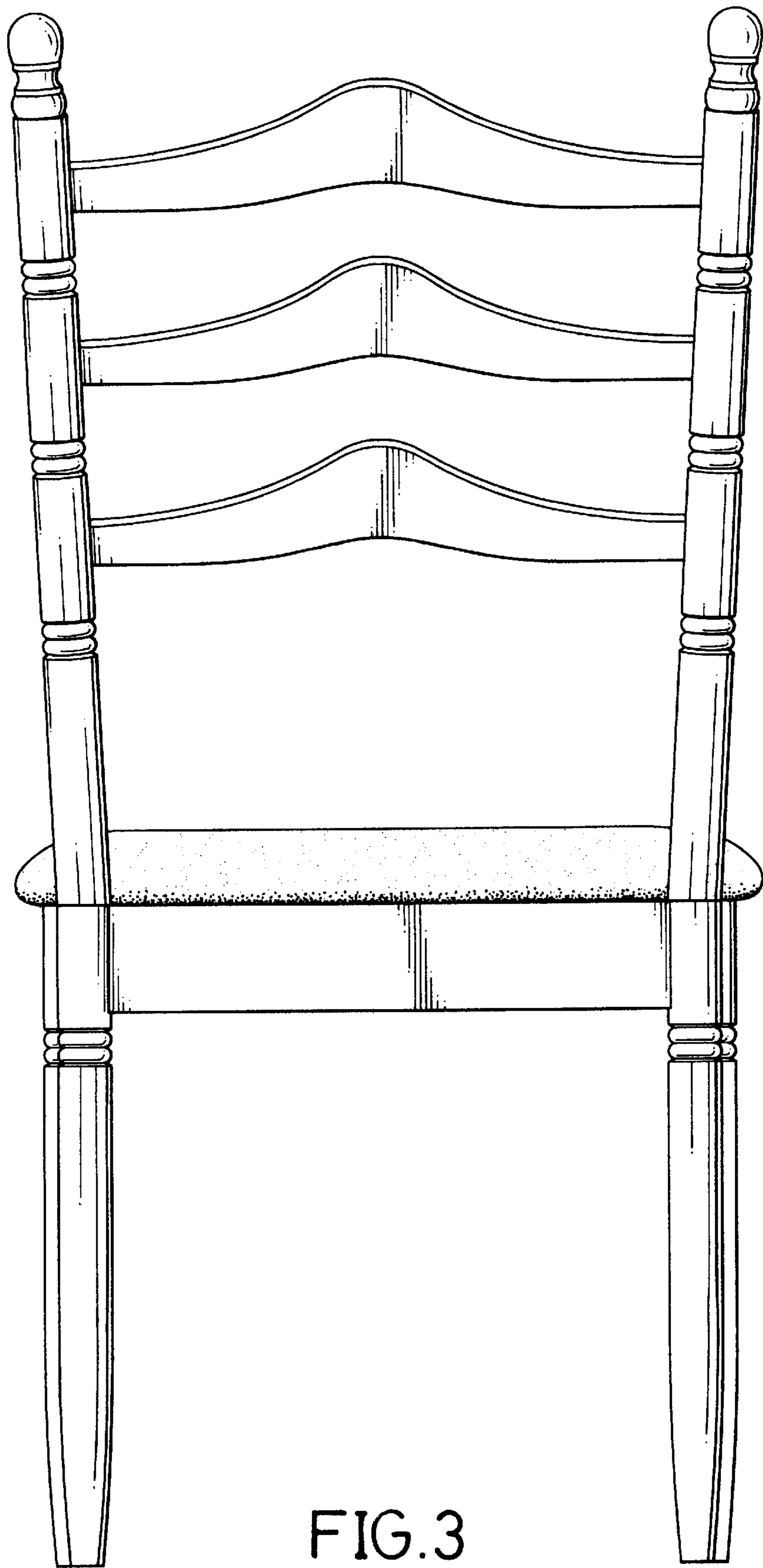


FIG. 3

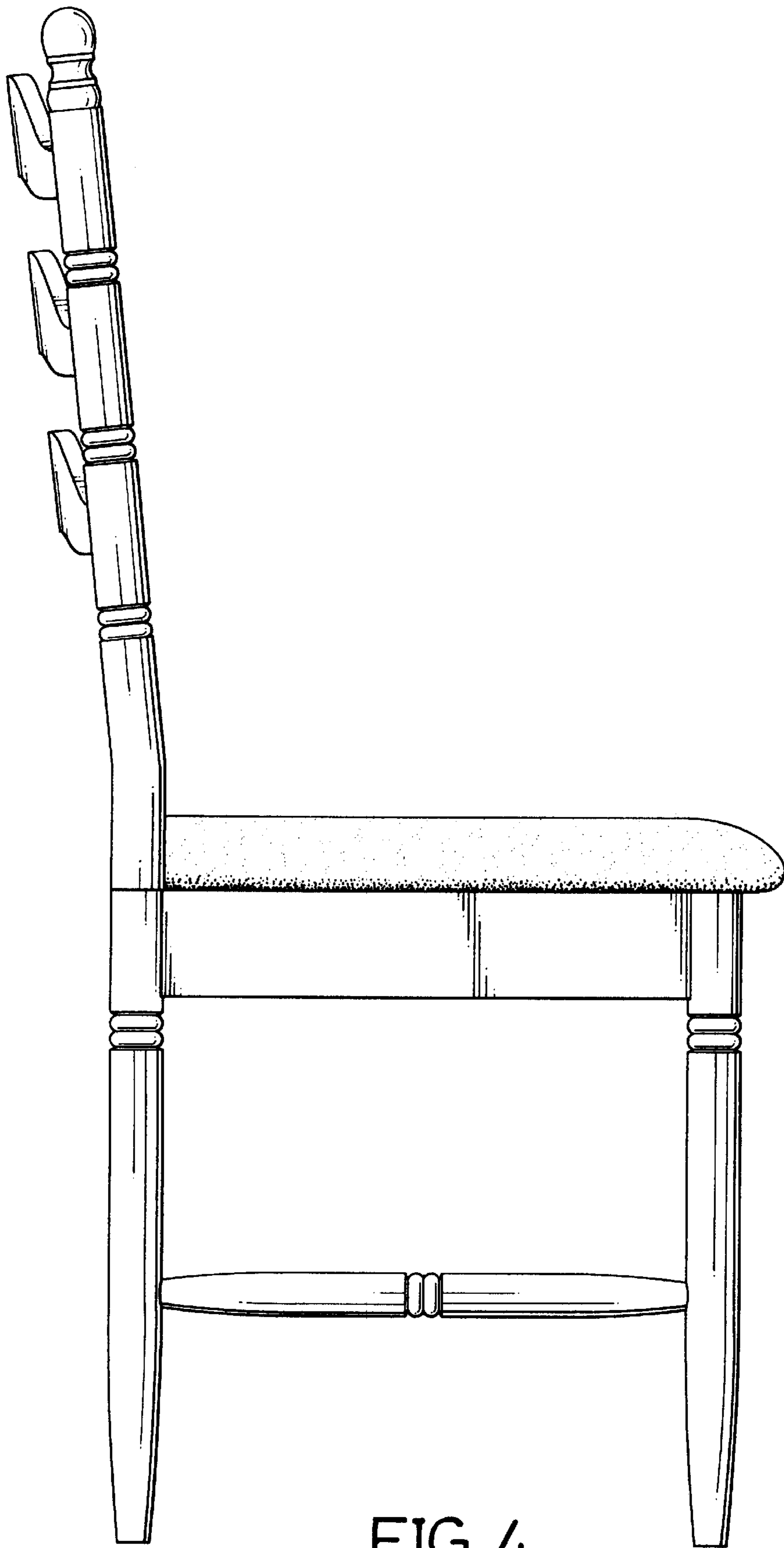


FIG. 4

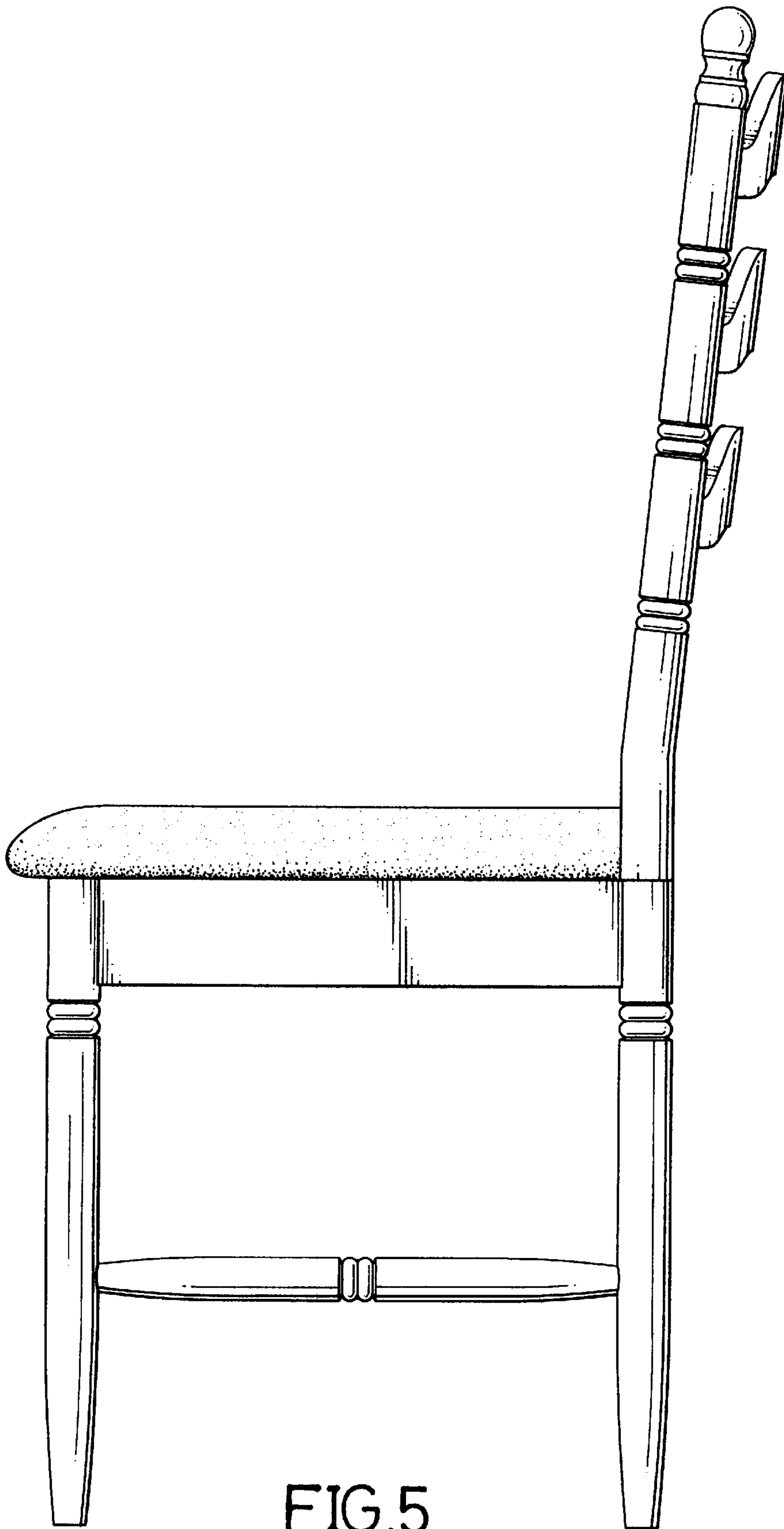


FIG. 5

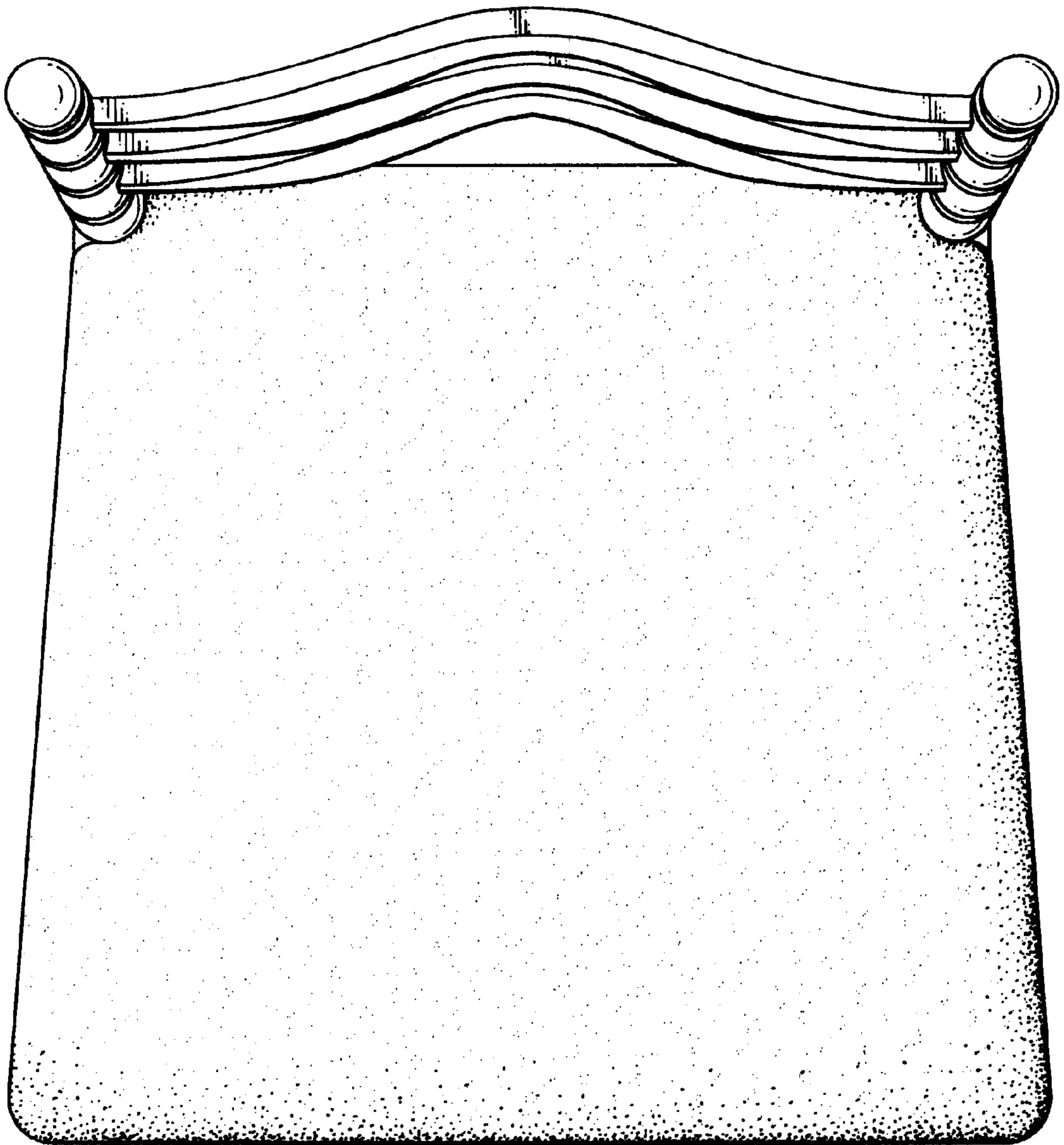


FIG. 6

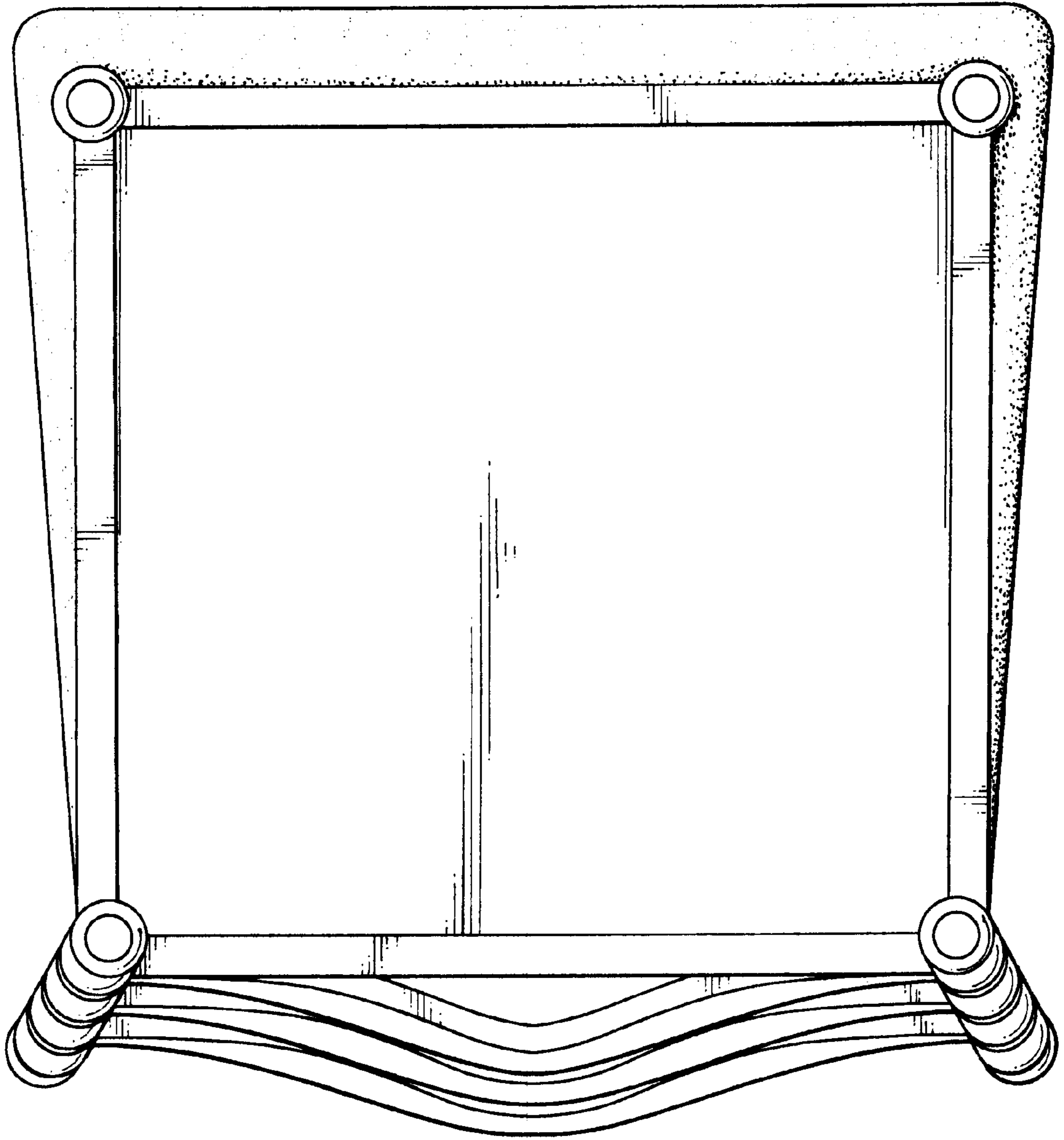


FIG.7