



US00D464820S

(12) **United States Design Patent**
Kreiss

(10) **Patent No.:** **US D464,820 S**

(45) **Date of Patent:** **** Oct. 29, 2002**

(54) **CHAIR**

(75) Inventor: **Michael Kreiss**, Rancho Santa Fe, CA (US)

(73) Assignee: **Kreiss Enterprises, Inc.**, San Diego, CA (US)

(**) Term: **14 Years**

(21) Appl. No.: **29/151,865**

(22) Filed: **Dec. 11, 2001**

(51) **LOC (7) Cl.** **06-01**

(52) **U.S. Cl.** **D6/368**

(58) **Field of Search** D6/334, 335, 367,
D6/368, 371, 373, 374, 379, 380, 500-502;
297/45, 53, 56, 445.1

(56) **References Cited**

U.S. PATENT DOCUMENTS

D2,685 S	*	6/1867	Harrison et al.	D6/368
D78,731 S	*	6/1929	Danzer	D6/502
1,799,029 A	*	3/1931	Smith	297/45
2,582,864 A	*	1/1952	Gittings et al.	297/45
D189,343 S	*	11/1960	Gittings	D6/501

D219,651 S	*	1/1971	Fisher	D6/379
3,635,520 A	*	1/1972	Roher et al.	297/45
D358,040 S	*	5/1995	Klein	D6/373

* cited by examiner

Primary Examiner—Doris V. Coles

Assistant Examiner—Mimosa De

(74) *Attorney, Agent, or Firm*—Marvin H. Kleinberg;
Marshall A. Lerner; Kleinberg & Lerner

(57) **CLAIM**

The ornamental design for a chair, as shown and described.

DESCRIPTION

FIG. 1 is a perspective view of the chair of the present invention;

FIG. 2 is a front view of the chair of FIG. 1;

FIG. 3 is a side view of the chair of FIG. 1; and

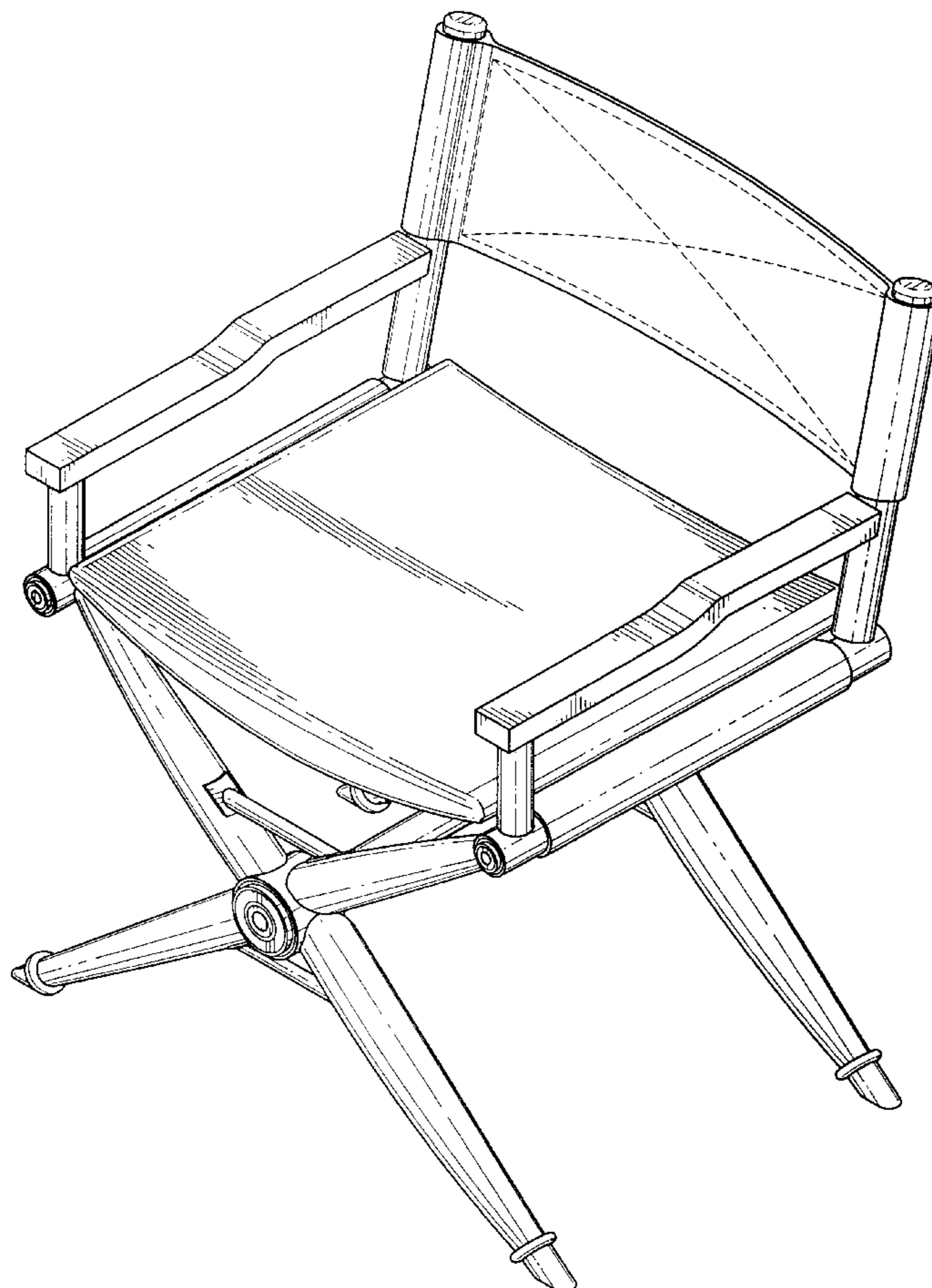
FIG. 4 is a top view of the chair of FIG. 1;

FIG. 5 is a bottom view of the chair of FIG. 1; and,

FIG. 6 is a rear view of the chair of FIG. 1.

The chair of the present invention is symmetrical about a longitudinal axis and the left and right side views are substantially identical.

1 Claim, 6 Drawing Sheets



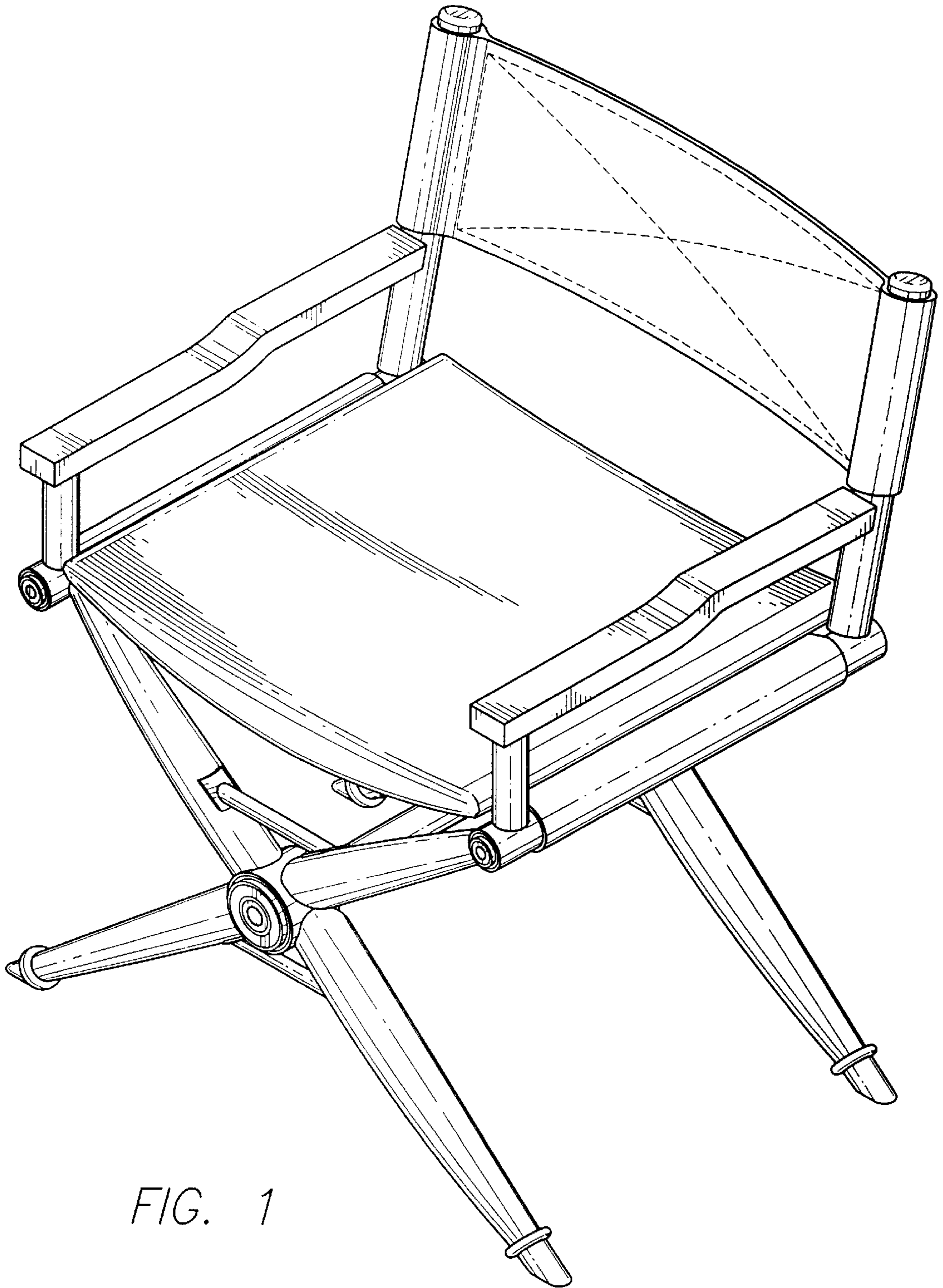


FIG. 1

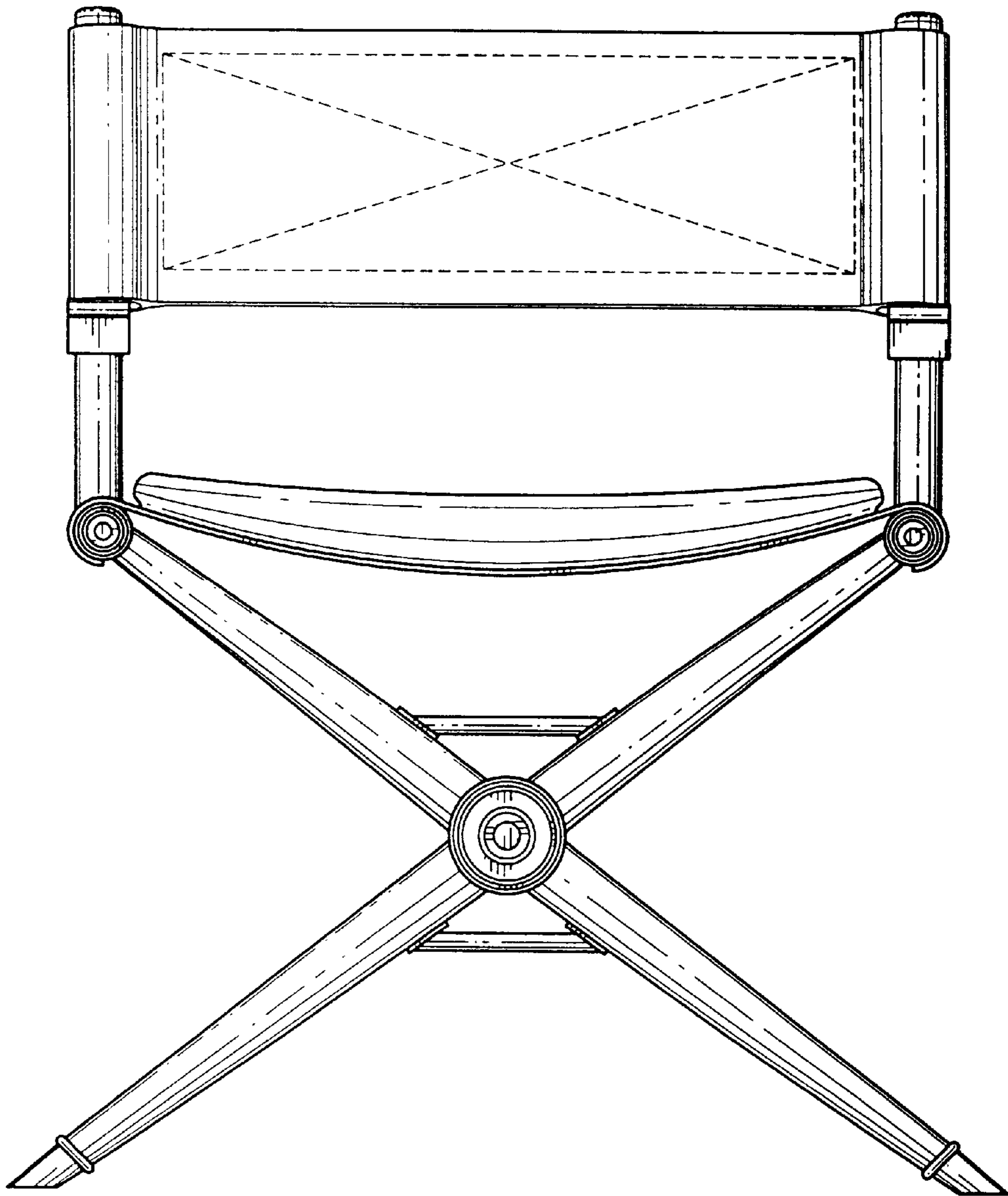


FIG. 2

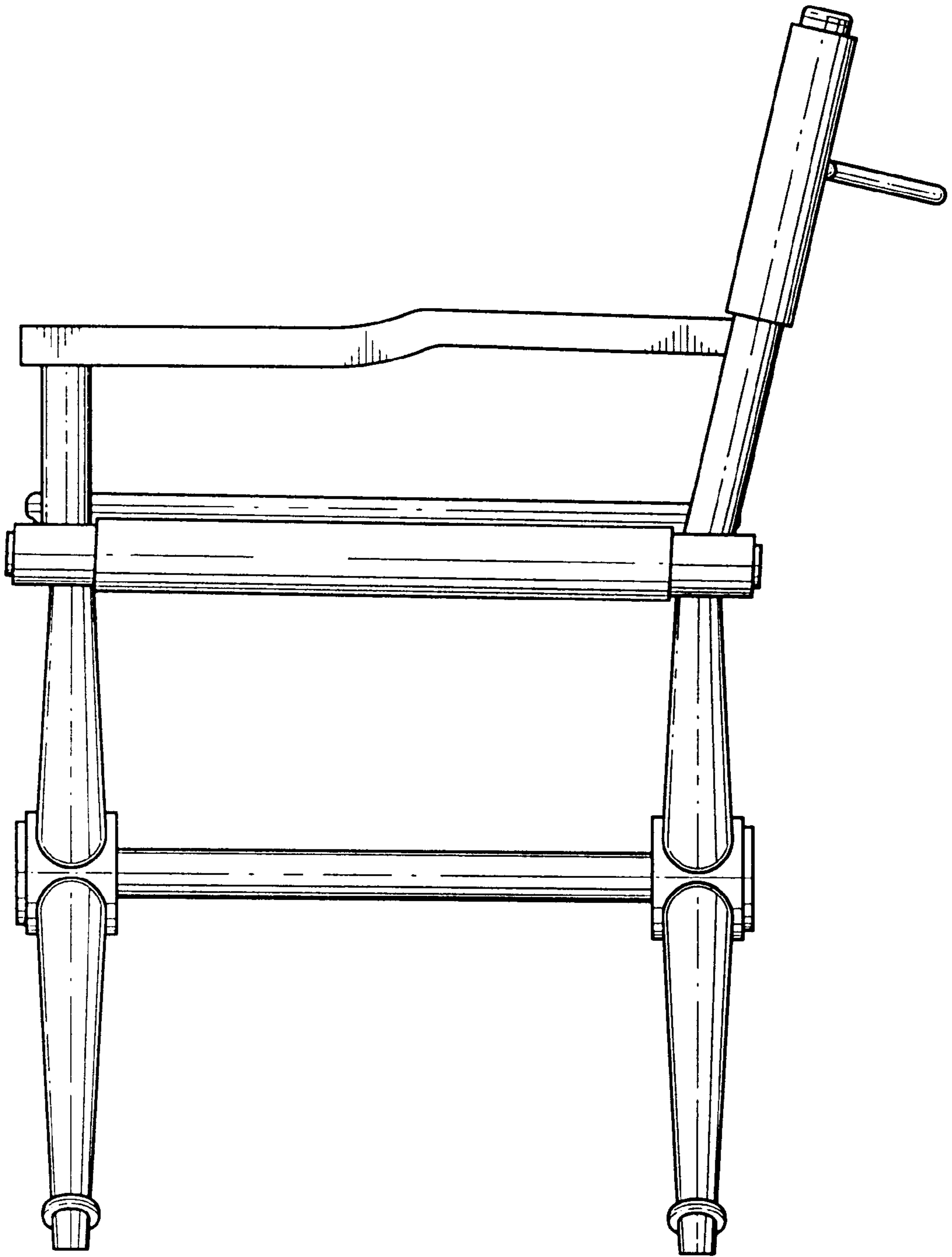


FIG. 3

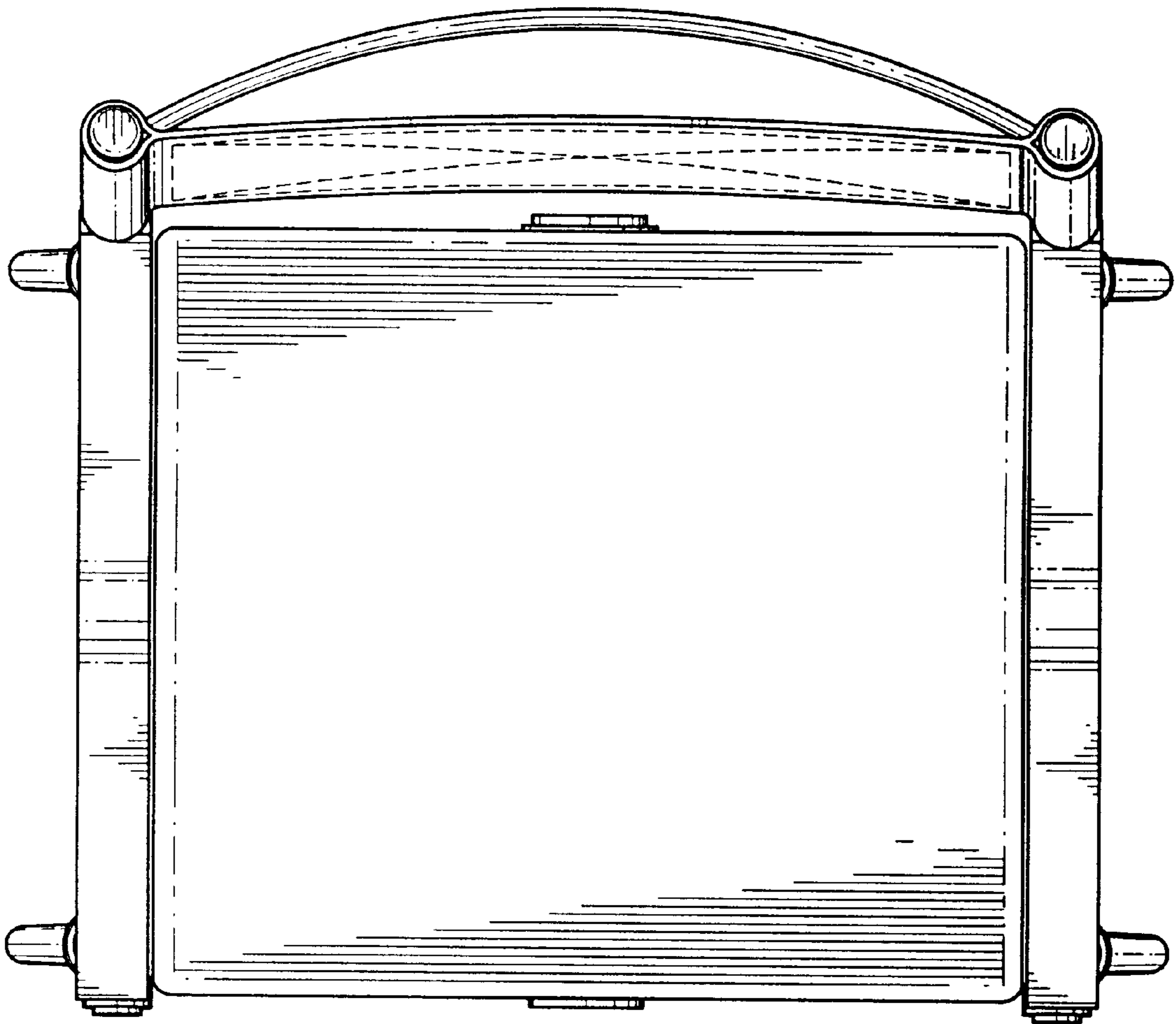


FIG. 4

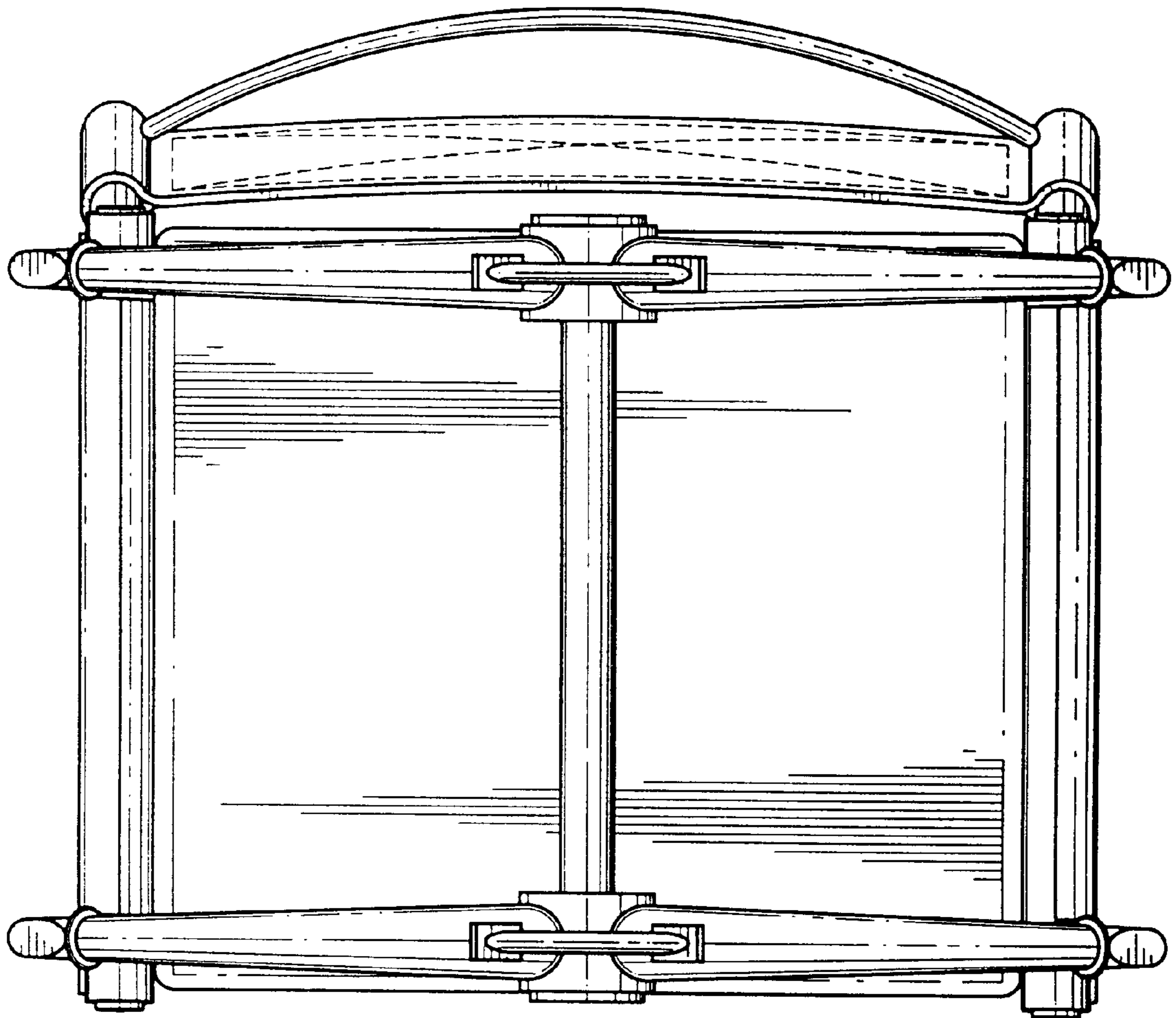


FIG. 5

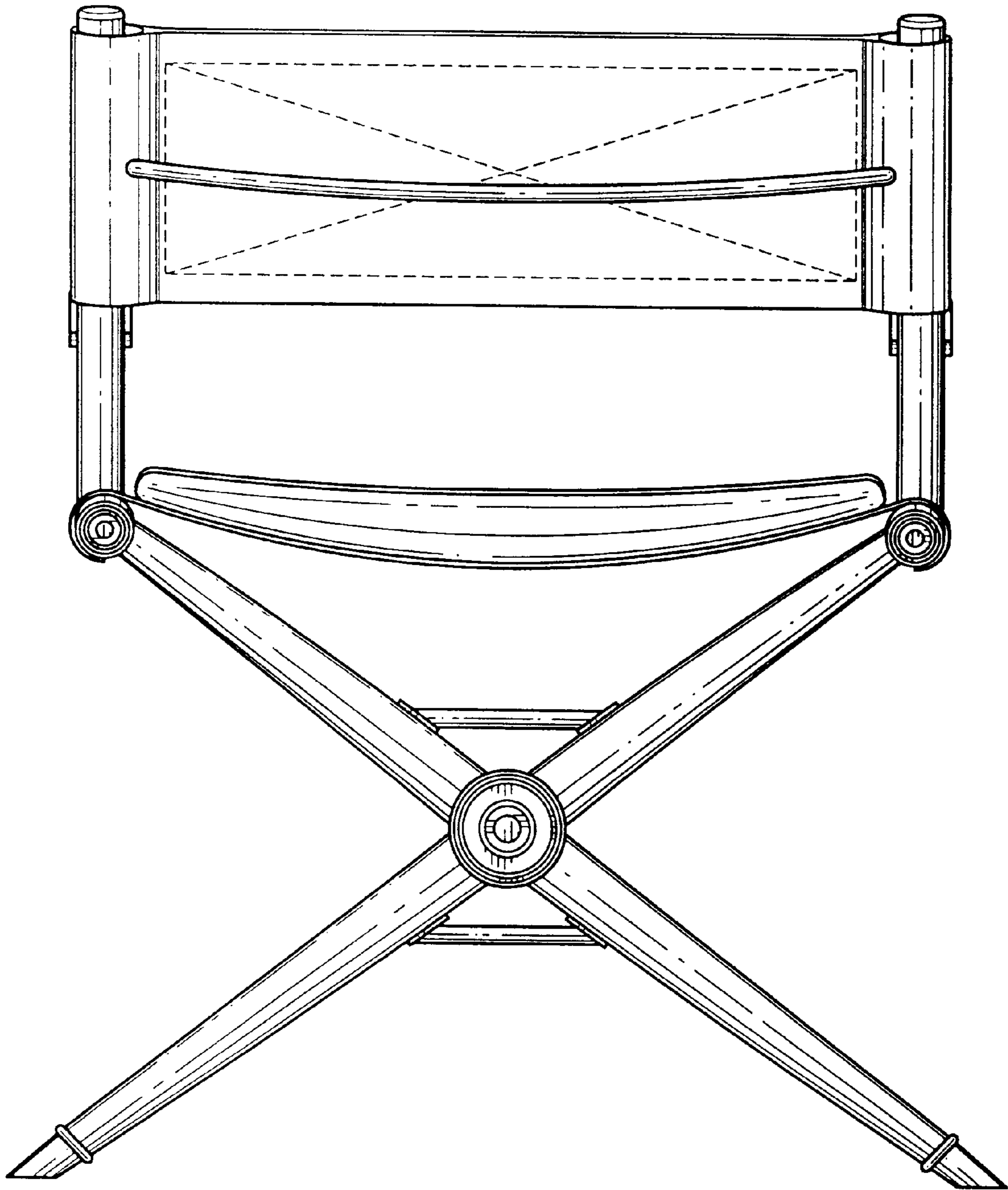


FIG. 6