



US00D464817S

(12) **United States Design Patent**
Lopez

(10) **Patent No.:** **US D464,817 S**

(45) **Date of Patent:** **** *Oct. 29, 2002**

(54) **UTILITY STOOL**

(76) **Inventor:** **Bernard R. Lopez**, 2275 Micro Pl.,
Escondido, CA (US) 92029

(*) **Notice:** This patent is subject to a terminal disclaimer.

(**) **Term:** **14 Years**

(21) **Appl. No.:** **29/146,175**

(22) **Filed:** **Aug. 3, 2001**

(51) **LOC (7) Cl.** **06-01**

(52) **U.S. Cl.** **D6/349; D6/484**

(58) **Field of Search** D6/480-489, 495,
D6/349; 108/151, 153.1, 155, 156, 157.1,
161; 248/188, 188.1, 188.8

(56) **References Cited**

U.S. PATENT DOCUMENTS

1,667,913 A * 5/1928 Weston D6/477

D280,370 S * 9/1985 Ferdinand et al. D6/477

D355,546 S * 2/1995 Hewitt D6/480

D419,331 S * 1/2000 Dembicks D6/429

D438,025 S * 2/2001 Lopez D6/349

* cited by examiner

Primary Examiner—Janice E. Seeger

(74) *Attorney, Agent, or Firm*—Gary L. Eastman

(57) **CLAIM**

The ornamental design for a utility stool, as shown and described.

DESCRIPTION

FIG. 1 is a perspective view of an utility stool showing my new design;

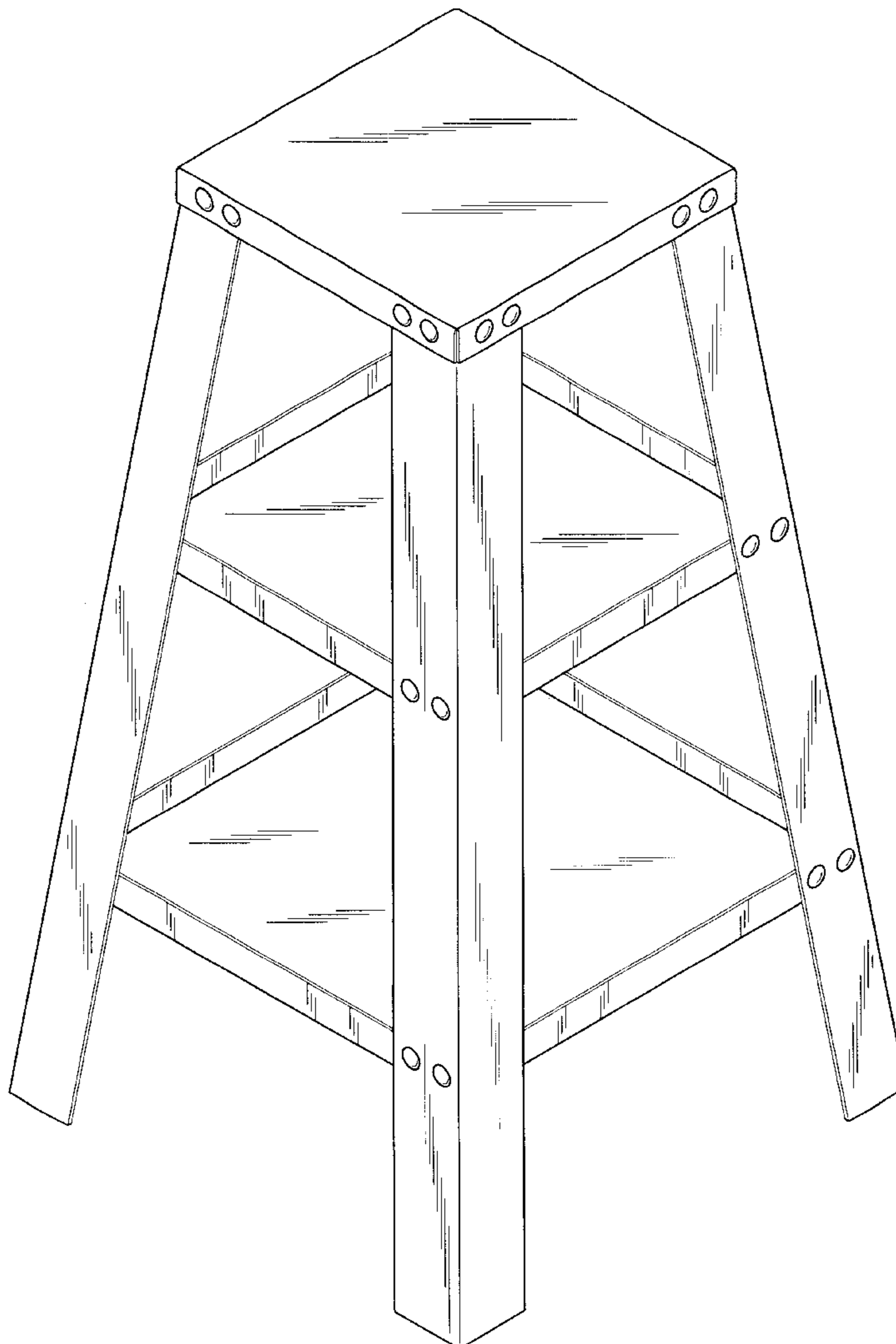
FIG. 2 is a right side view thereof;

FIG. 3 is a top plan view thereof; and,

FIG. 4 is a bottom plan view thereof.

The left side view, front view and back view are identical to the right side view shown in FIG. 2.

1 Claim, 3 Drawing Sheets



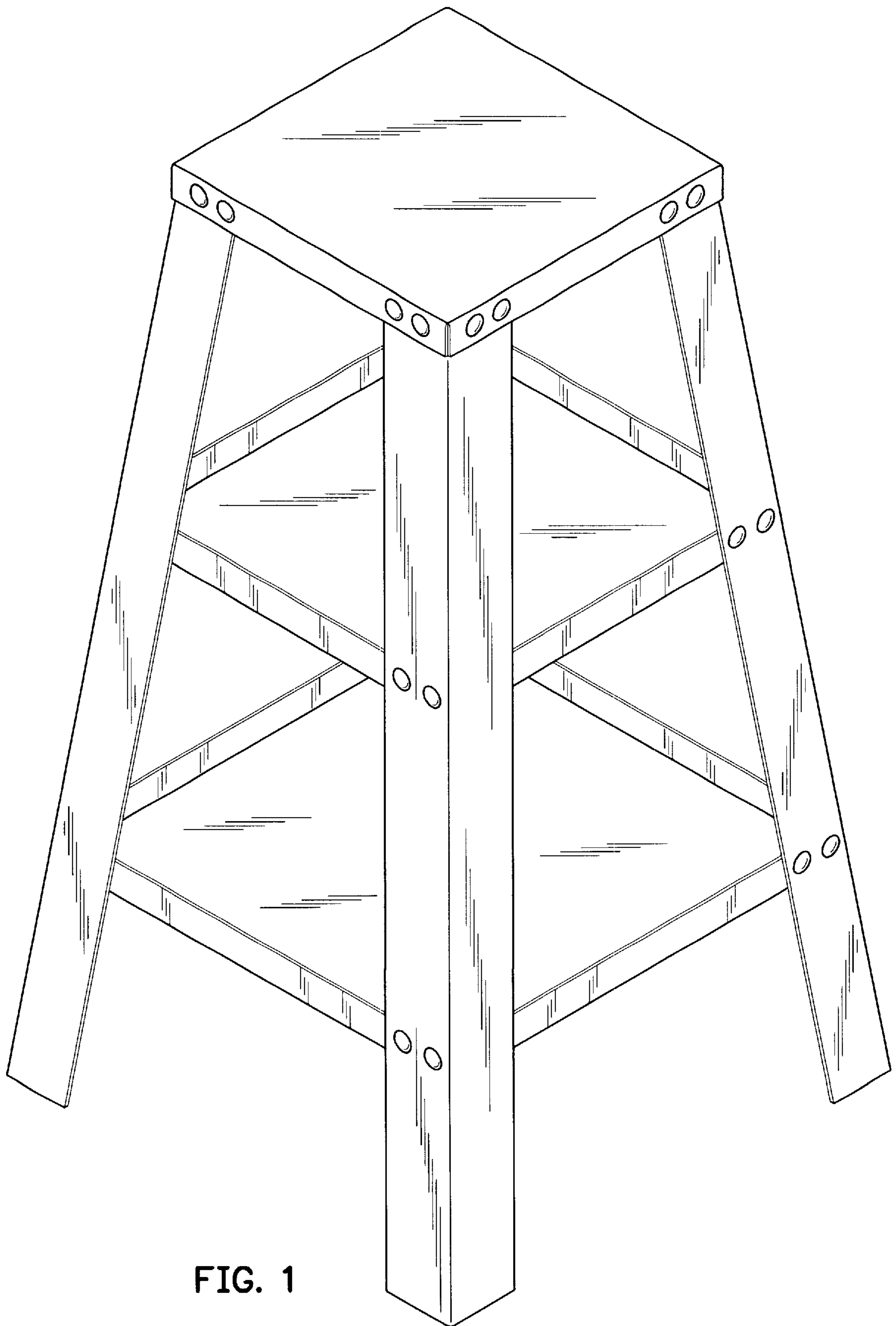


FIG. 1

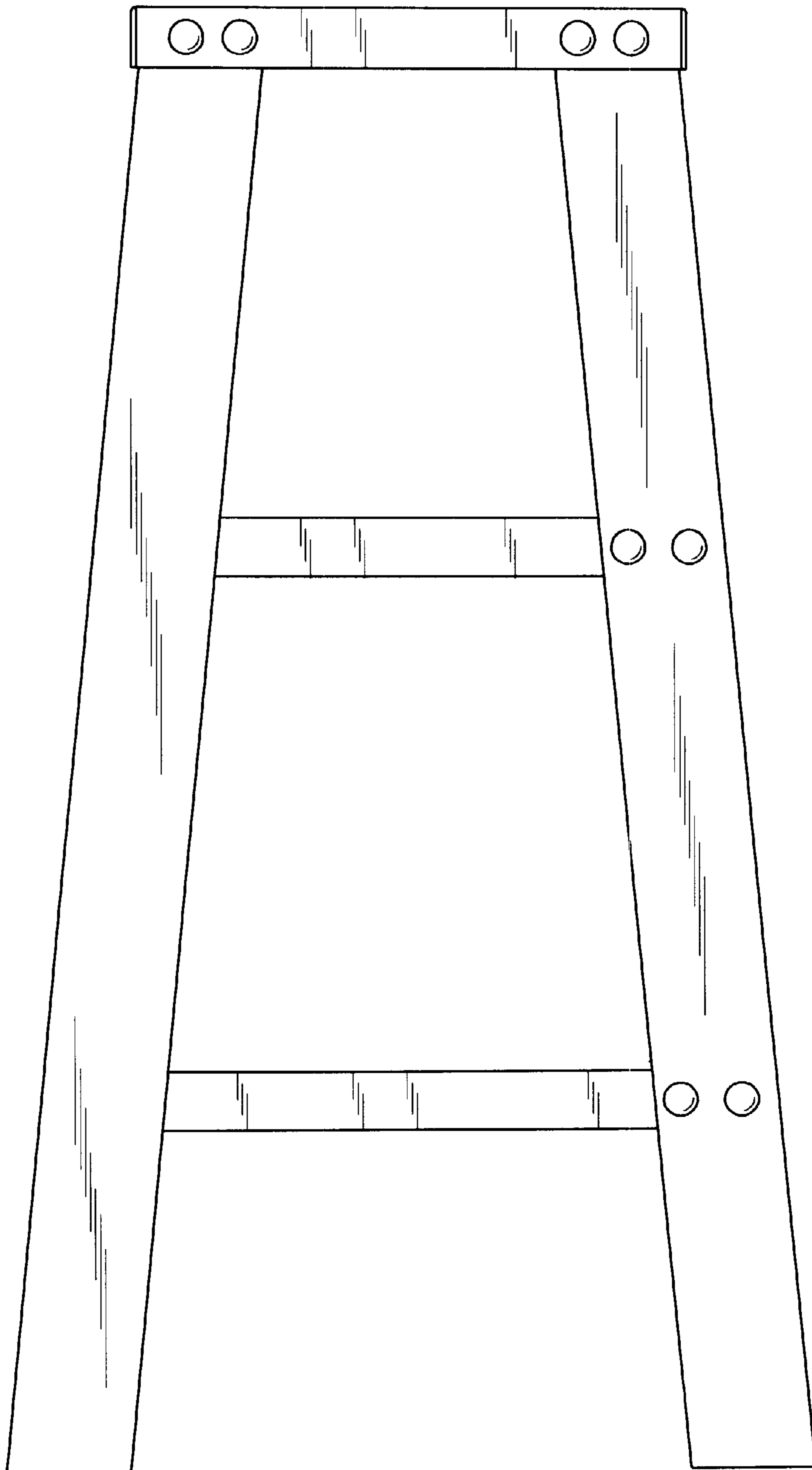


FIG. 2

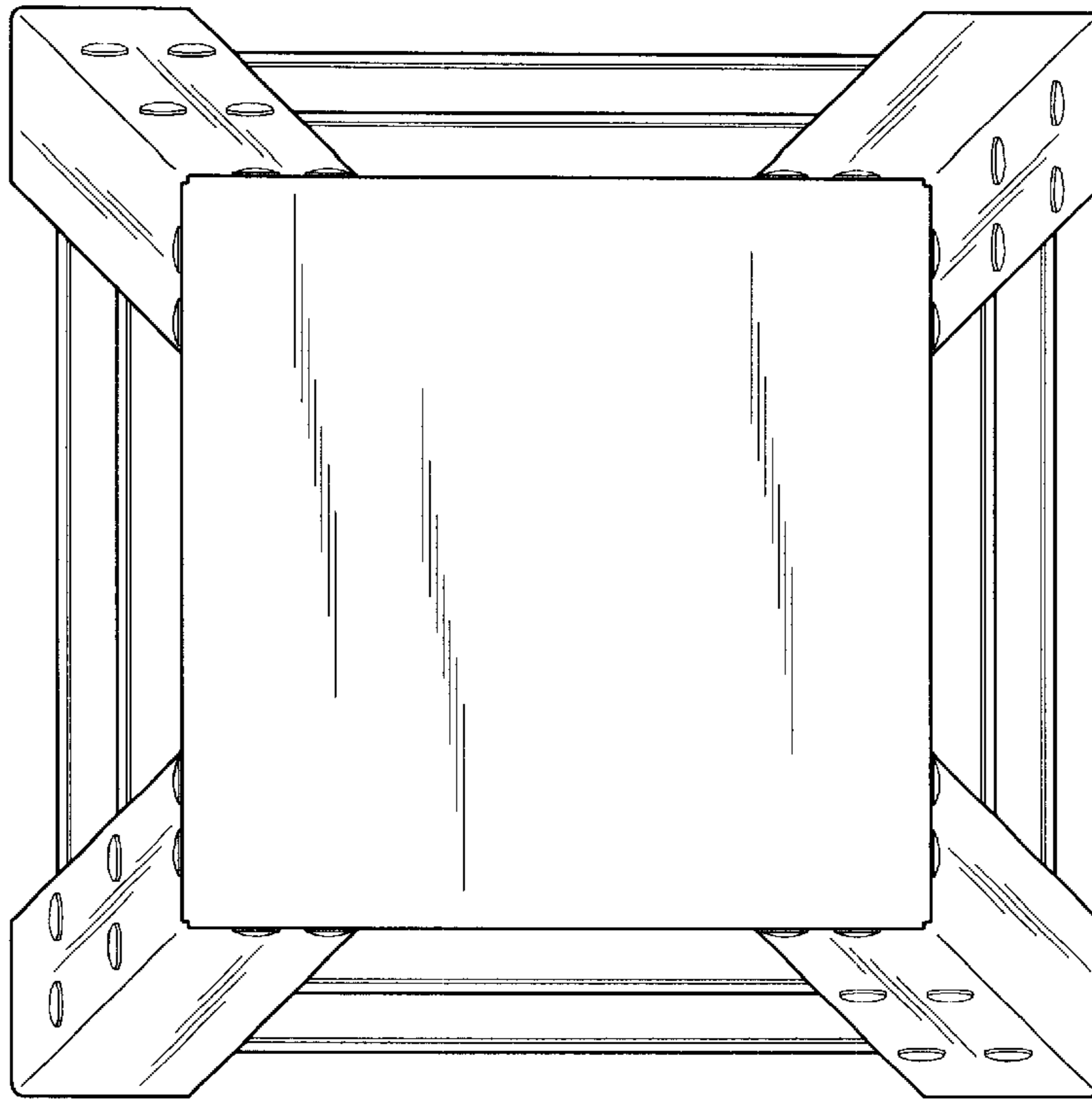


FIG. 3

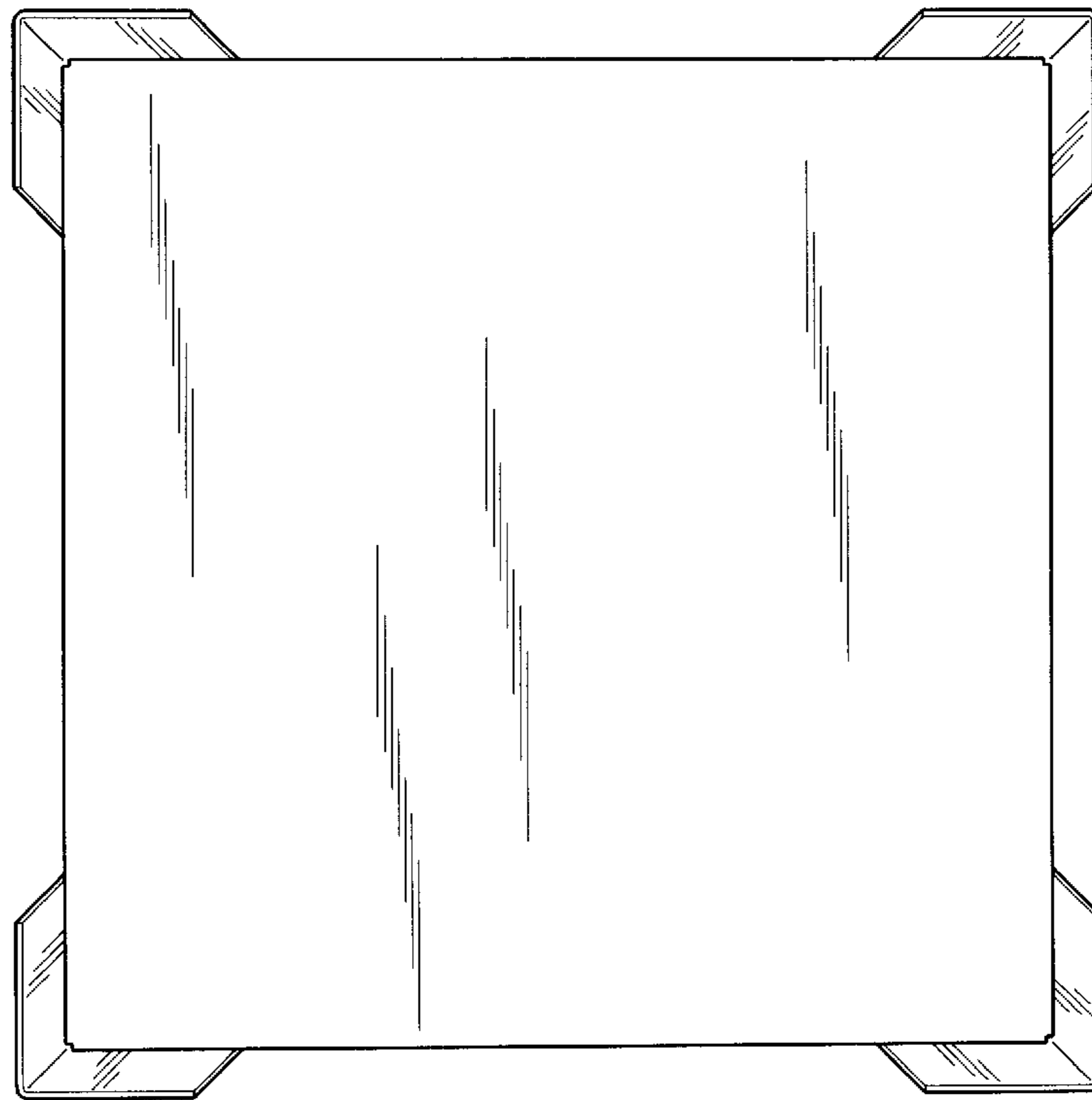


FIG. 4