



US00D464814S

(12) **United States Design Patent**
De Winter et al.

(10) **Patent No.:** **US D464,814 S**

(45) **Date of Patent:** **** Oct. 29, 2002**

(54) **HANGER WITH CLIPS**

(75) Inventors: **Koen De Winter**, Montreal (CA);
Robert R. Giustini, Terrebonne (CA)

(73) Assignee: **Terpac Plastics Inc.**, Montréal-Nord
(CA)

(**) Term: **14 Years**

(21) Appl. No.: **29/158,456**

(22) Filed: **Apr. 5, 2002**

(51) **LOC (7) Cl.** **06-08**

(52) **U.S. Cl.** **D6/328; D6/326**

(58) **Field of Search** D6/315-319, 326-8,
D6/513; D8/395; D19/65; 211/113, 118,
119; 223/85-96, 98, DIG. 2; 24/500, 507,
509-11

(56) **References Cited**

U.S. PATENT DOCUMENTS

4,157,782 A	6/1979	Mainetti	223/96
4,192,441 A	3/1980	Batts	223/96
4,231,500 A	11/1980	Mainetti	223/96
D296,729 S	7/1988	Blanchard	D6/328
D298,387 S	11/1988	Dueter	D6/328
4,826,056 A	5/1989	Dueter et al.	223/96
4,871,097 A	10/1989	Blanchard et al.	223/85
D307,982 S	5/1990	Dueter	D6/328
D316,334 S	4/1991	Dueter	D6/328
5,082,153 A	1/1992	Dueter et al.	223/96
D334,096 S	3/1993	Blanchard	D6/328

D409,400 S	5/1999	Peruzzo	D6/328
5,915,605 A	6/1999	Blanchard	223/96
5,934,525 A	8/1999	Blanchard	223/96
5,950,885 A	9/1999	Morgan	223/96
6,019,261 A *	2/2000	Morgan et al.	223/85
D423,235 S *	4/2000	Bond et al.	D6/326
6,047,868 A *	4/2000	Petrou et al.	223/96
D429,898 S *	8/2000	Morgan et al.	D6/326
D435,173 S	12/2000	Morgan et al.	D6/326
D436,743 S	1/2001	Batts et al.	D6/328
6,202,906 B1 *	3/2001	Zuckerman	223/95
6,241,133 B1 *	6/2001	Morgan et al.	223/96
D449,743 S *	10/2001	Morgan	D6/326

* cited by examiner

Primary Examiner—B. J. Bullock

(74) *Attorney, Agent, or Firm*—ROBIC

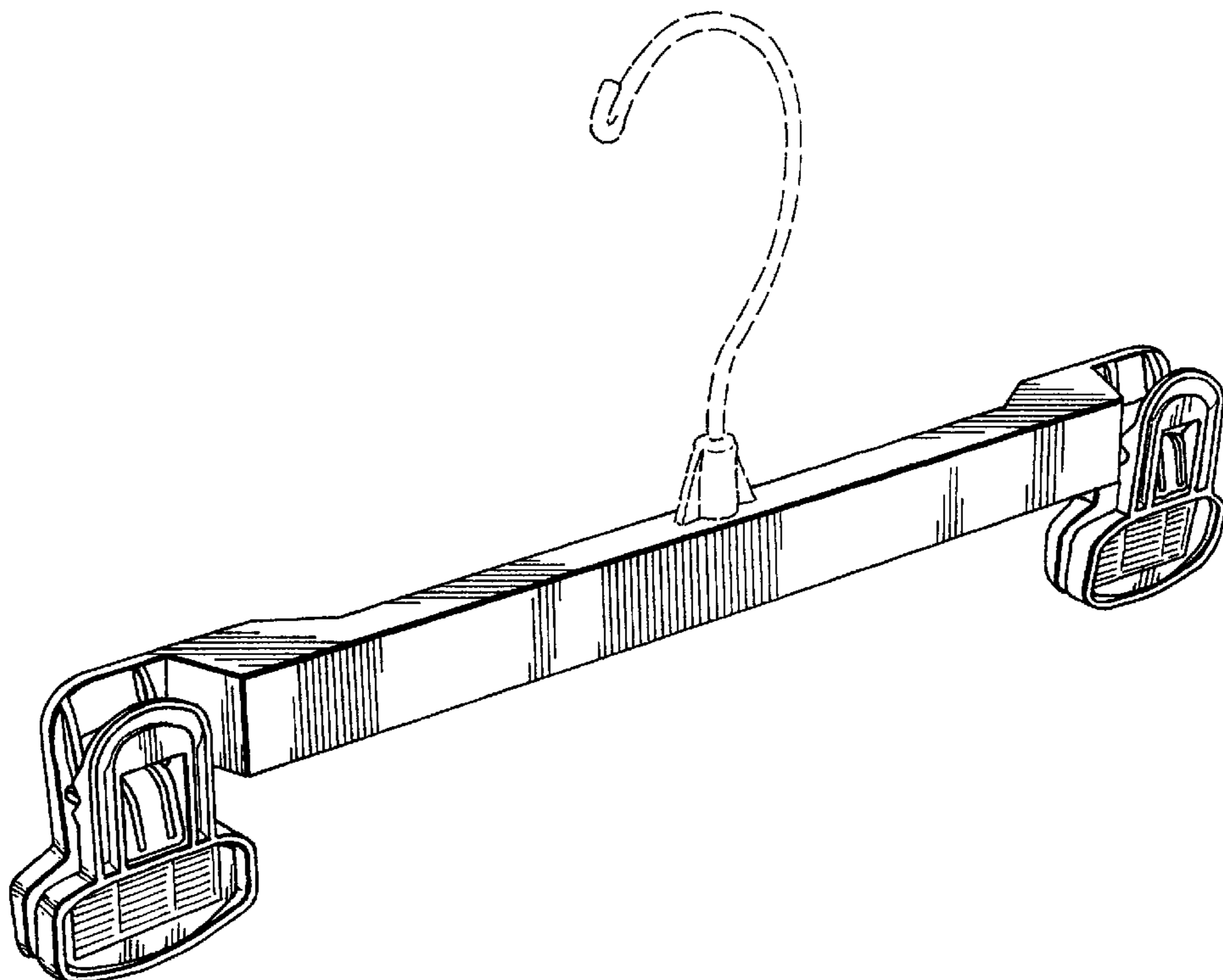
(57) **CLAIM**

The ornamental design for a hanger with clips, as shown and described.

DESCRIPTION

FIG. 1 is a front perspective view of the hanger with clips; FIG. 2 is a rear perspective view of the hanger with clips; FIG. 3 is a front elevational view of the hanger with clips; FIG. 4 is a rear view of the hanger with clips; FIG. 5 is a top plan view of hanger with clips; FIG. 6 is a bottom plan view of the hanger with clips; FIG. 7 is a right-hand side view of the hanger with clips; and, FIG. 8 is a left-side view of the hanger with clips.

1 Claim, 8 Drawing Sheets



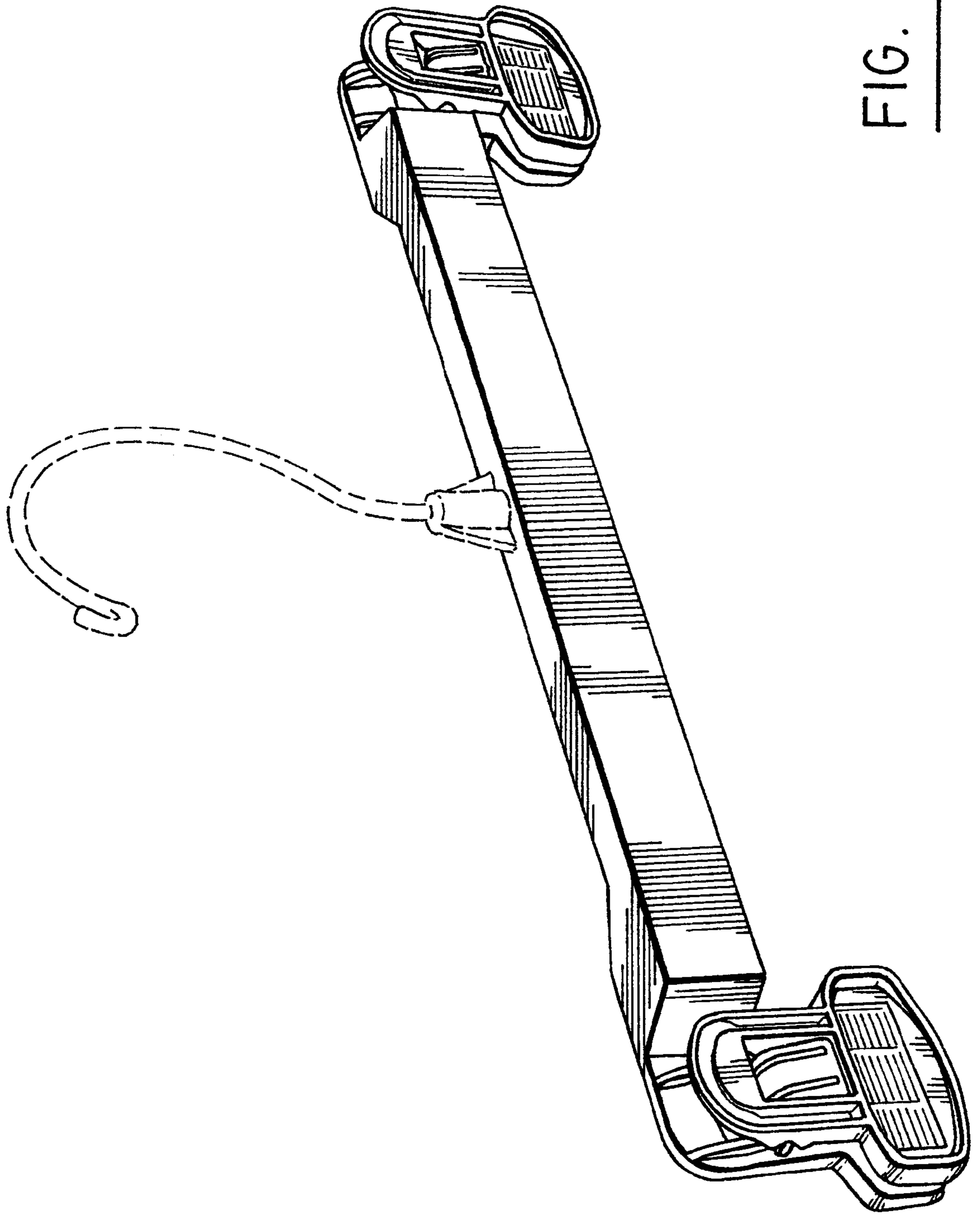


FIG. 1

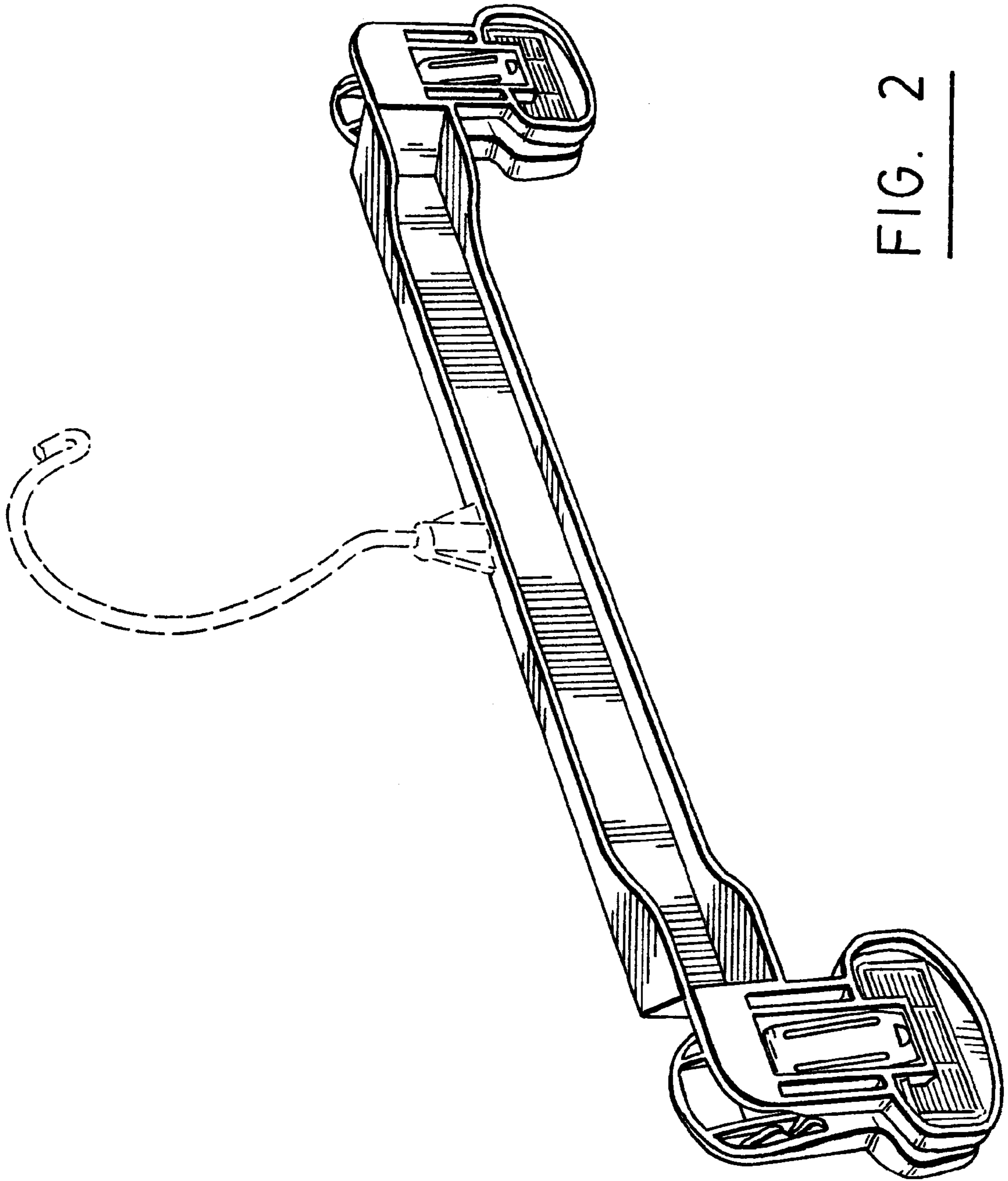


FIG. 2

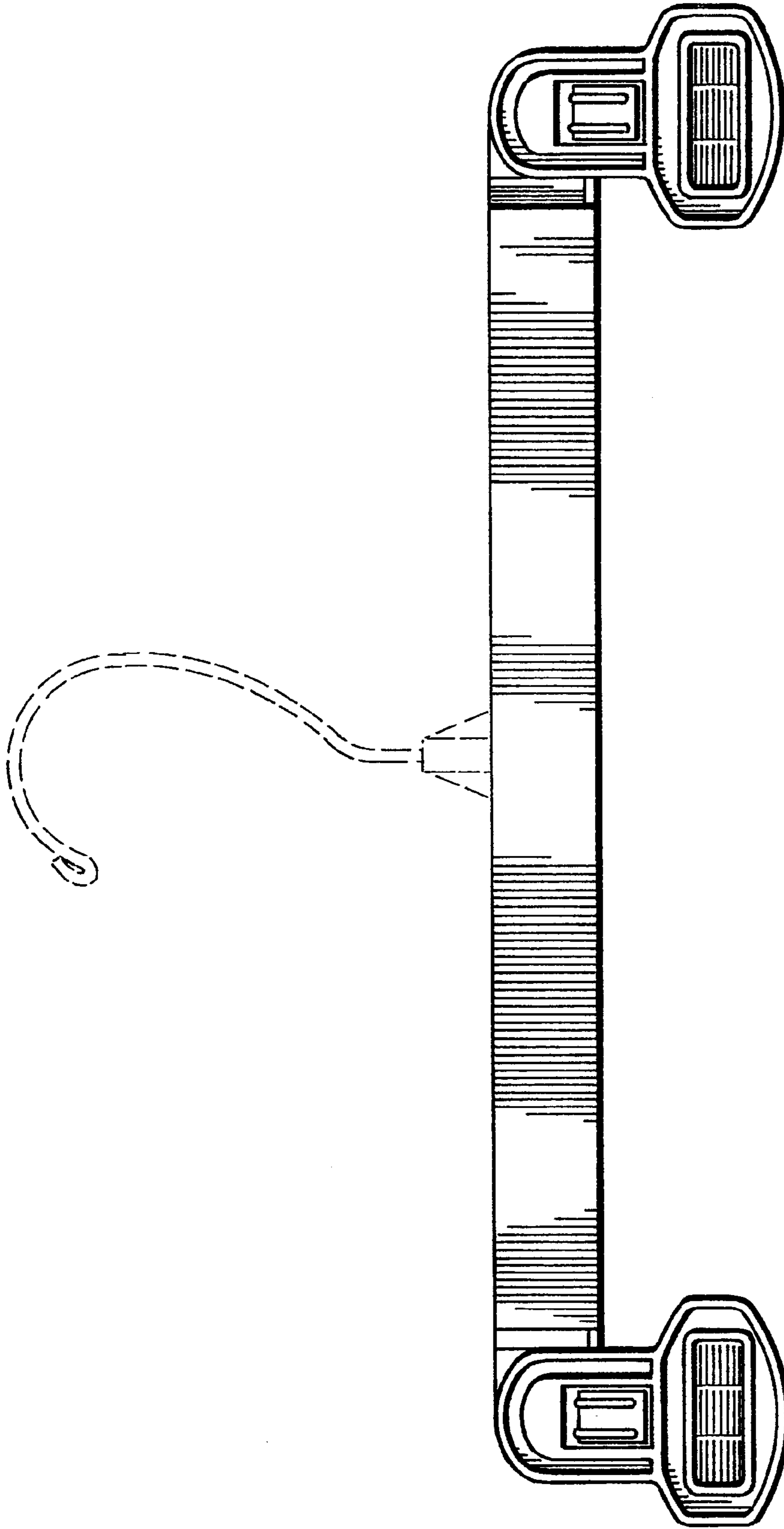


FIG. 3

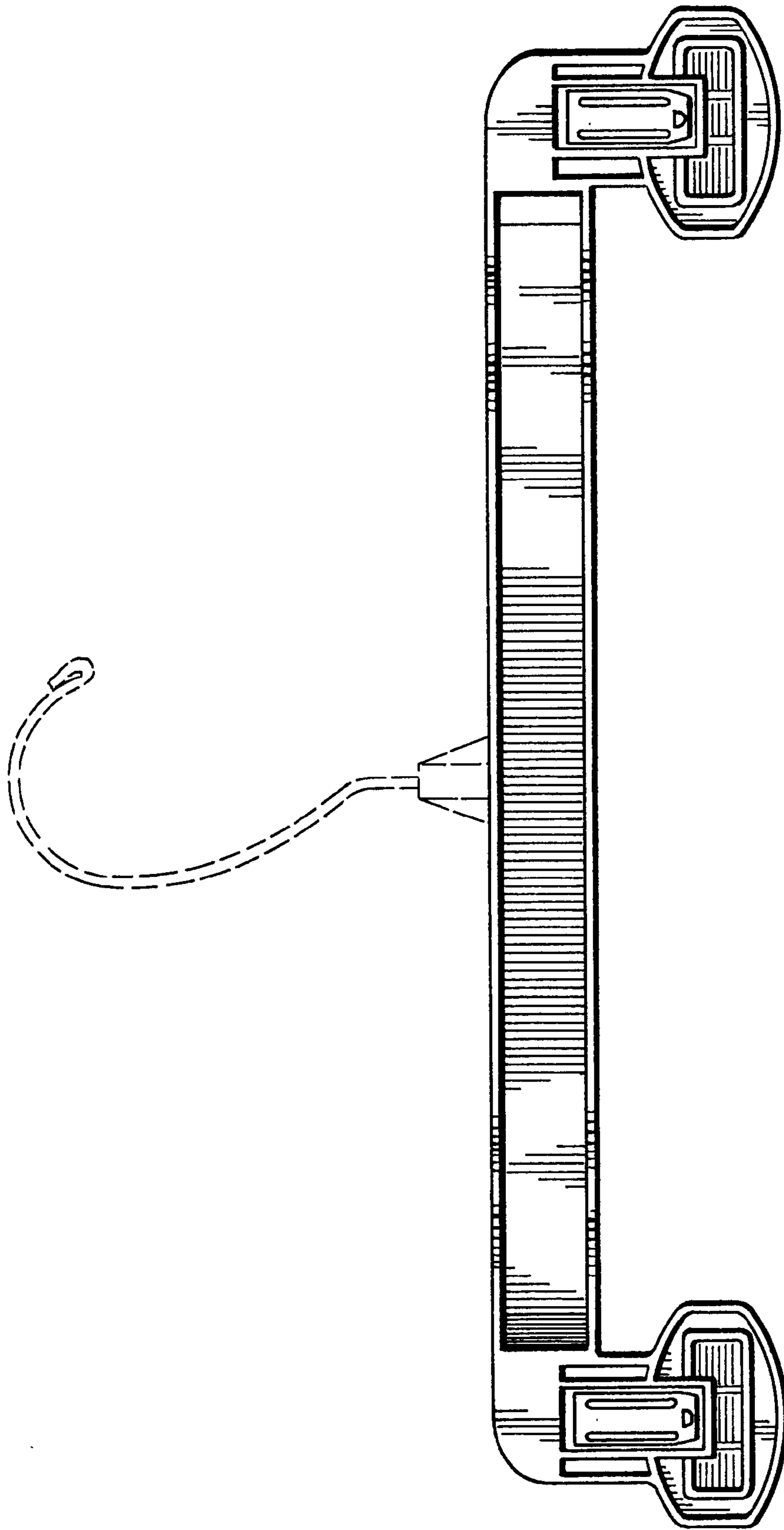


FIG. 4



FIG. 5

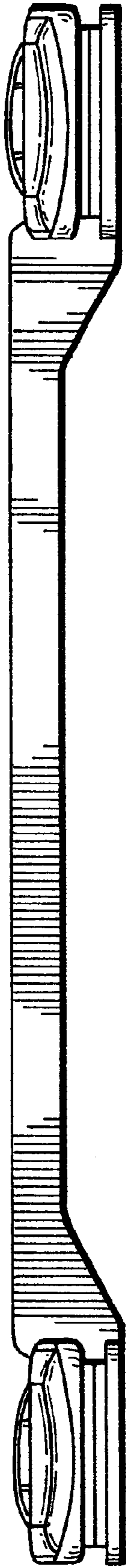


FIG. 6

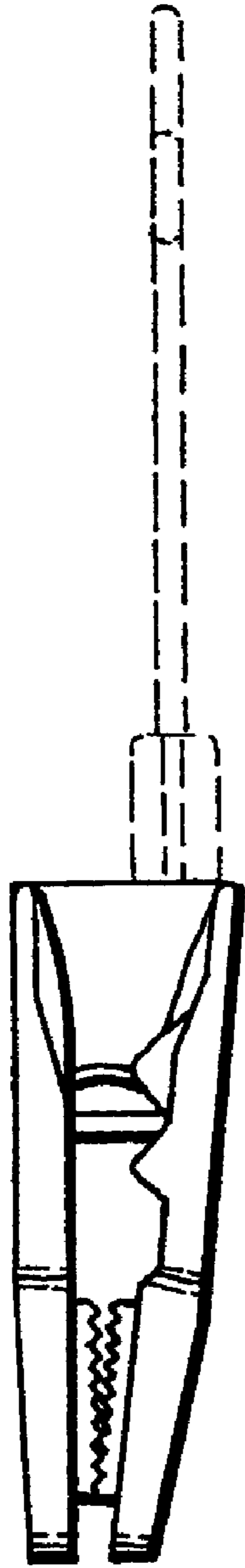


FIG. 7

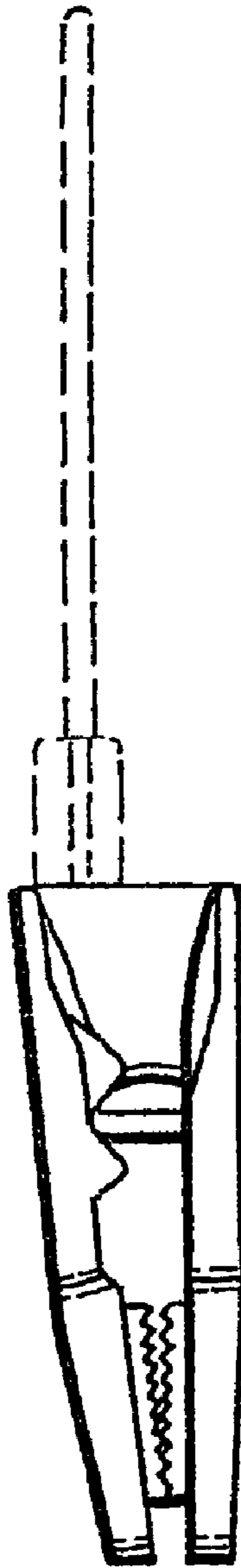


FIG. 8