



US00D464813S

(12) **United States Design Patent**
Lin

(10) **Patent No.:** **US D464,813 S**

(45) **Date of Patent:** **** Oct. 29, 2002**

(54) **CLOTHES HANGER**

(76) **Inventor:** **Chieh Jen Lin**, PO Box 82-144, Taipei (TW)

(**) **Term:** **14 Years**

(21) **Appl. No.:** **29/157,560**

(22) **Filed:** **Mar. 22, 2002**

(51) **LOC (7) Cl.** **06-08**

(52) **U.S. Cl.** **D6/326; D6/317; D6/319**

(58) **Field of Search** **D6/315-319, 326-328, D6/513; 211/113, 118, 119; 223/85-96, 98, DIG. 1, DIG. 2; 24/500, 507, 509-511; D8/395; D19/65**

(56) **References Cited**

U.S. PATENT DOCUMENTS

892,149	A	*	6/1908	Gould	223/90
1,574,065	A	*	2/1926	Coney	223/87
1,893,508	A	*	1/1933	Rosenberg	223/91
D137,065	S	*	1/1944	Rosenberg	D19/65

D193,746	S	*	10/1962	Cohen	223/95
D302,567	S	*	8/1989	Olson	D19/65
6,073,819	A	*	6/2000	Wing	223/89
6,230,945	B1	*	5/2001	Licari et al.	223/85

* cited by examiner

Primary Examiner—B. J. Bullock

(74) *Attorney, Agent, or Firm*—Leong C. Lei

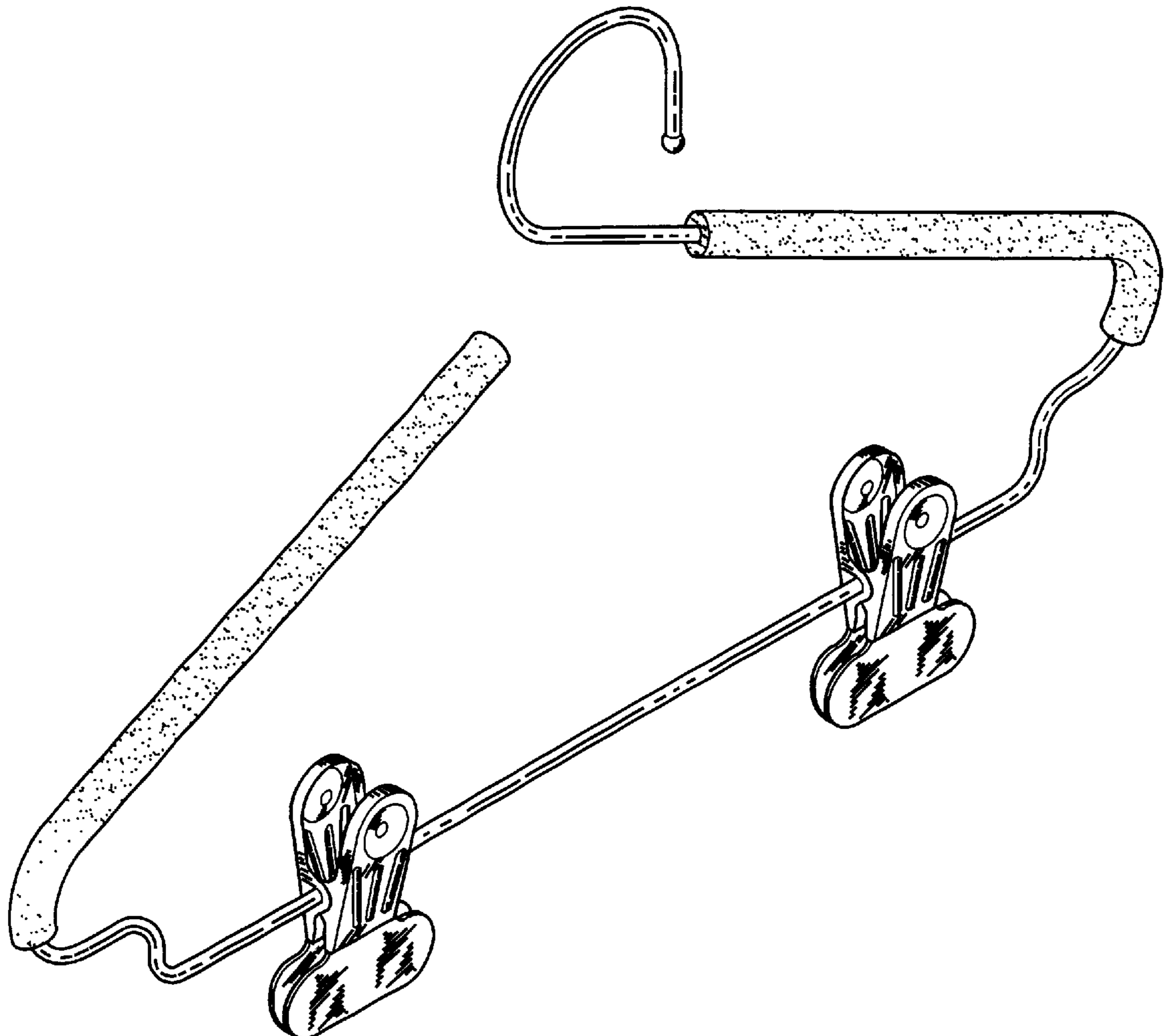
(57) **CLAIM**

The ornamental design for a clothes hanger, as shown and described.

DESCRIPTION

FIG. 1 is perspective view of a clothes hanger showing my new design;
FIG. 2 is a front side elevation view thereof;
FIG. 3 is a rear side elevation view thereof;
FIG. 4 is a left side elevation view thereof;
FIG. 5 is a right side elevation view thereof;
FIG. 6 is a top plan view thereof; and,
FIG. 7 is a bottom plan view thereof.

1 Claim, 5 Drawing Sheets



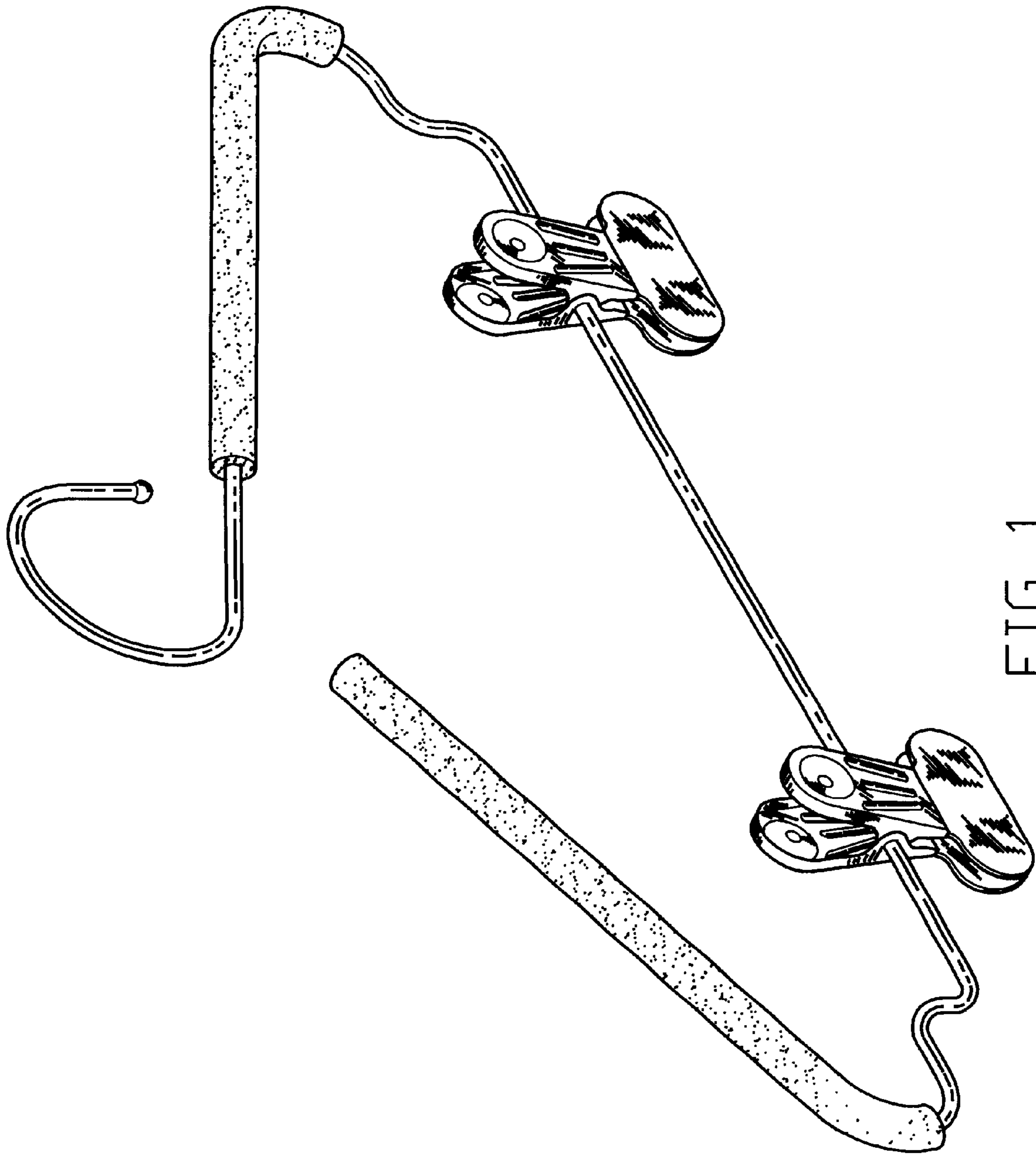


FIG 1

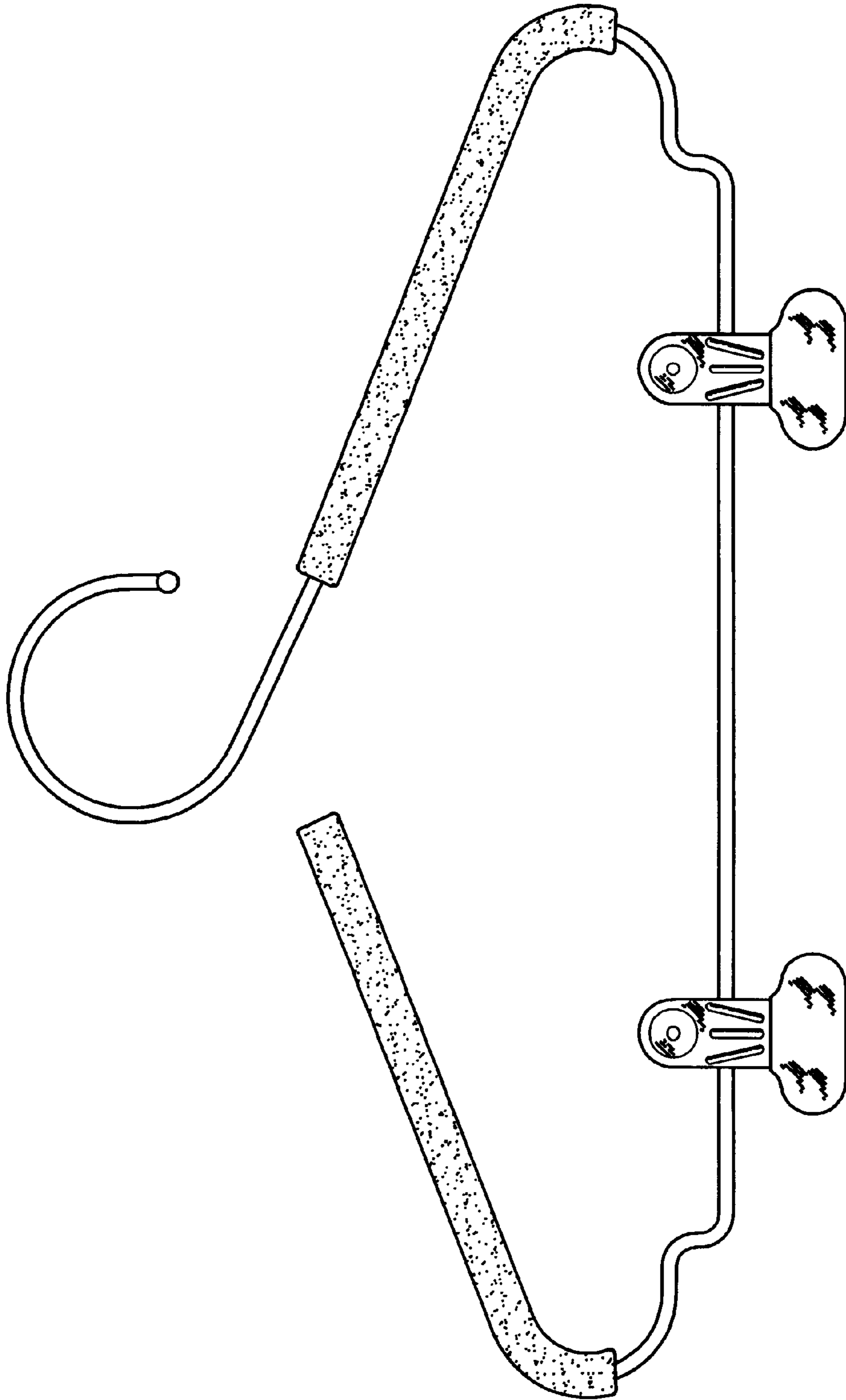


FIG 2

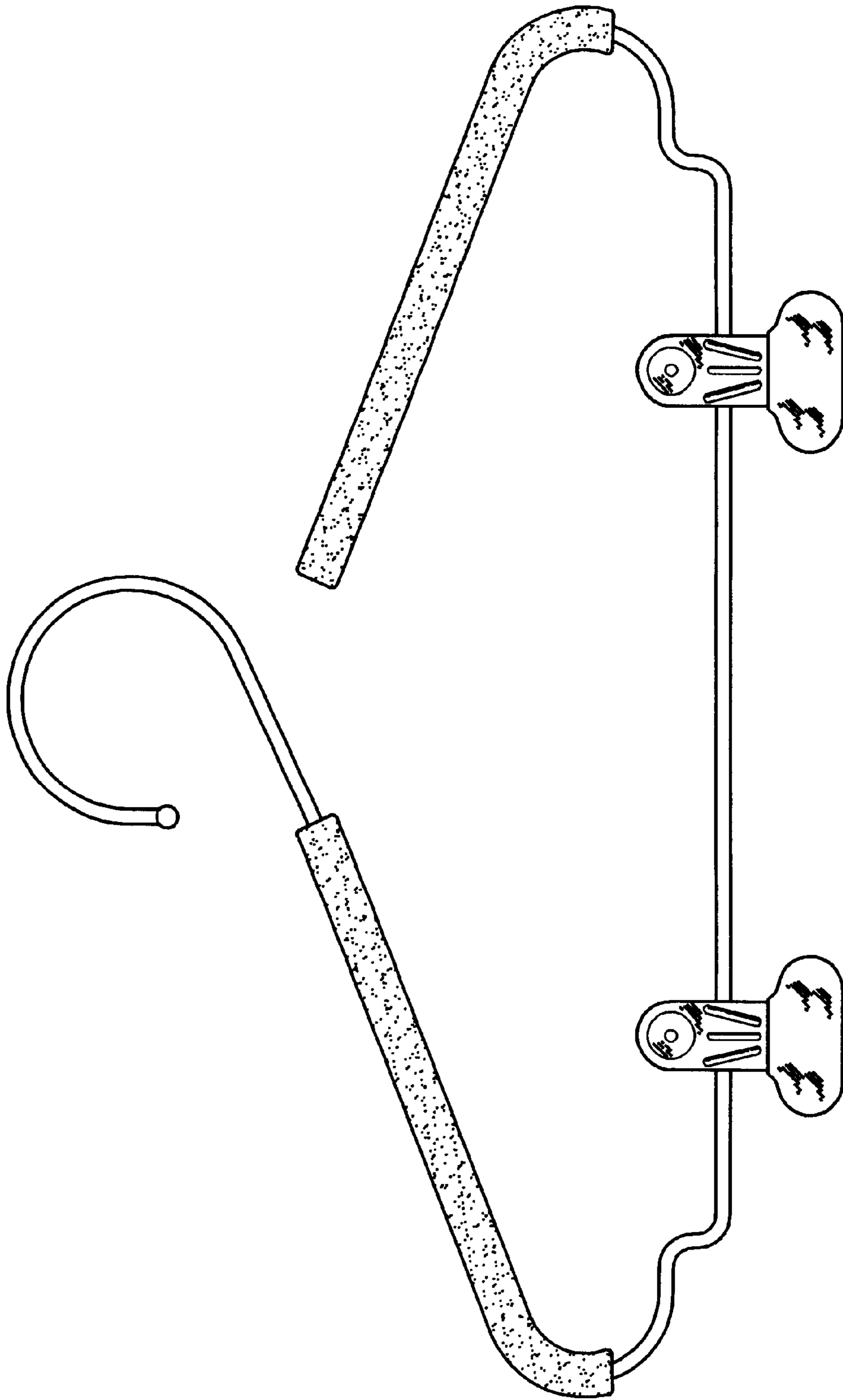


FIG 3



FIG 5

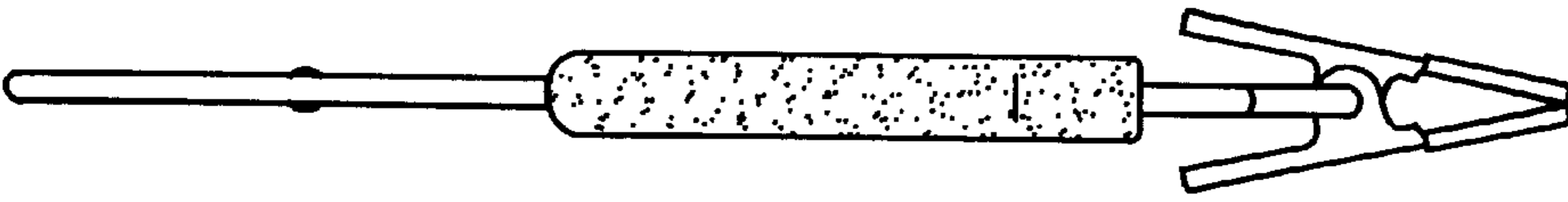


FIG 4

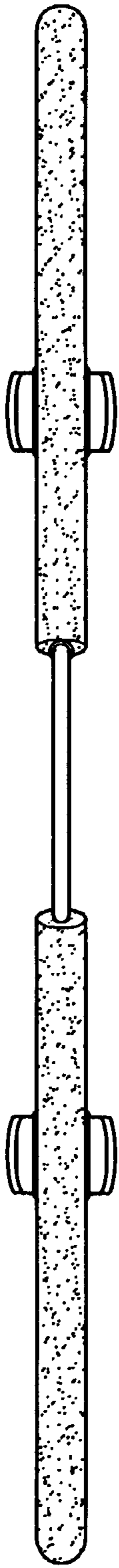


FIG 6

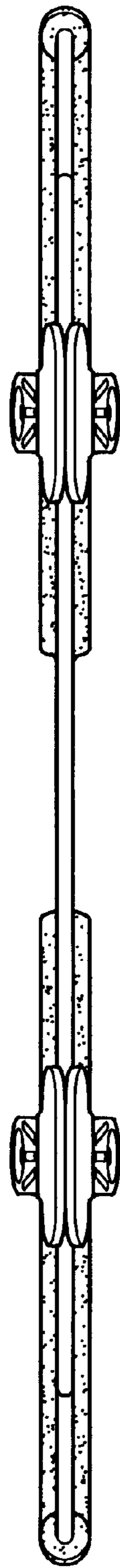


FIG 7