



US00D464812S

(12) **United States Design Patent**
Yen

(10) **Patent No.:** **US D464,812 S**

(45) **Date of Patent:** **** Oct. 29, 2002**

(54) **ROBE HOOK**

(76) Inventor: **Kuo-Chi Yen**, No. 310, Wenshinnan 6th
Rd., Nantuen Chiu, Taichung (TW)

(**) Term: **14 Years**

(21) Appl. No.: **29/150,825**

(22) Filed: **Nov. 29, 2001**

(51) **LOC (7) Cl.** **06-08**

(52) **U.S. Cl.** **D6/323; D8/372**

(58) **Field of Search** D6/323, 546, 548,
D6/550, 567, 569, 572; 88/367, 372, 350,
352, 353; 248/304, 308; 211/106.01

(56) **References Cited**

U.S. PATENT DOCUMENTS

928,717 A	*	7/1909	Vance	248/304
D318,590 S		7/1991	McKeone	D6/524
D328,215 S		7/1992	McKeone	D6/524
D337,014 S		7/1993	Wang	D6/550
D337,230 S		7/1993	Wang	D6/550
D357,379 S		4/1995	Lehn et al.	D6/549
D357,840 S		5/1995	Lehn et al.	D6/549
D362,361 S		9/1995	Lehn et al.	D6/523
D390,397 S		2/1998	Chen	D6/550
D406,484 S		3/1999	Wu	D6/566
D407,931 S		4/1999	Sweetman	D6/524
D408,669 S		4/1999	Kuo	D6/550

D416,139 S	*	11/1999	Roth et al.	D6/323
D416,785 S		11/1999	Ming-Hsiao	D8/363
D417,112 S		11/1999	Chen	D6/546
D417,576 S		12/1999	Ming-Hsiao	D6/549
D417,989 S		12/1999	Moore et al.	D6/524
D417,995 S		12/1999	Chen	D6/550
D424,354 S		5/2000	Duggan	D6/550
D438,715 S	*	3/2001	Milrud et al.	D8/372
D451,737 S	*	12/2001	Chen	D6/524
D453,271 S	*	2/2002	Gilbert et al.	D6/323

* cited by examiner

Primary Examiner—B. J. Bullock

(74) *Attorney, Agent, or Firm*—Brinks Hofer Gilson & Lione

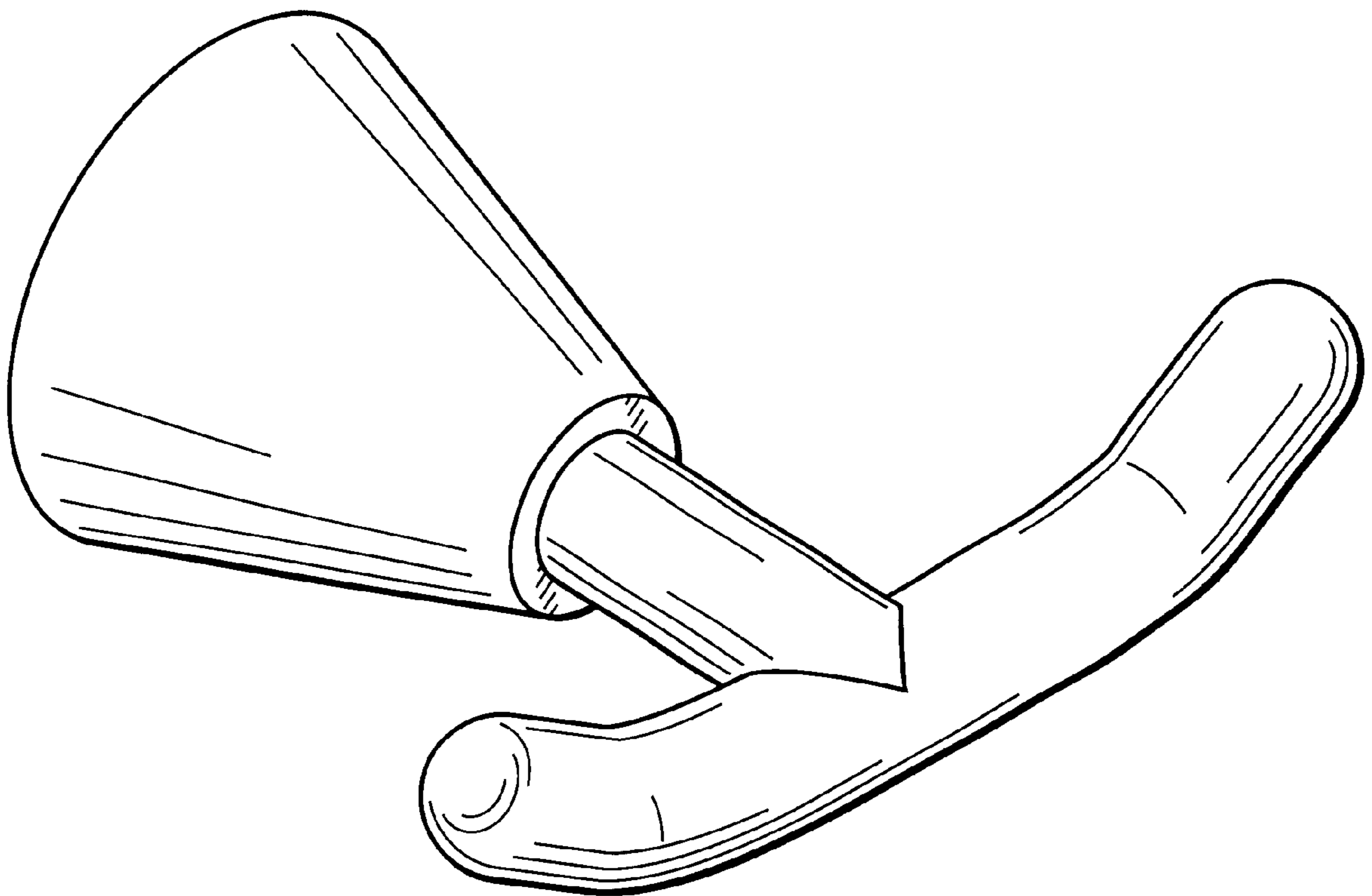
(57) **CLAIM**

The ornamental design for a robe hook, as shown and described.

DESCRIPTION

FIG. 1 is a perspective view showing my new design.
FIG. 2 is a reduced top plan view thereof.
FIG. 3 is a reduced bottom plan view thereof.
FIG. 4 is a reduced right elevational view thereof.
FIG. 5 is a reduced left elevational view thereof.
FIG. 6 is a reduced front elevational view thereof; and,
FIG. 7 is a reduced rear elevational view thereof.

1 Claim, 4 Drawing Sheets



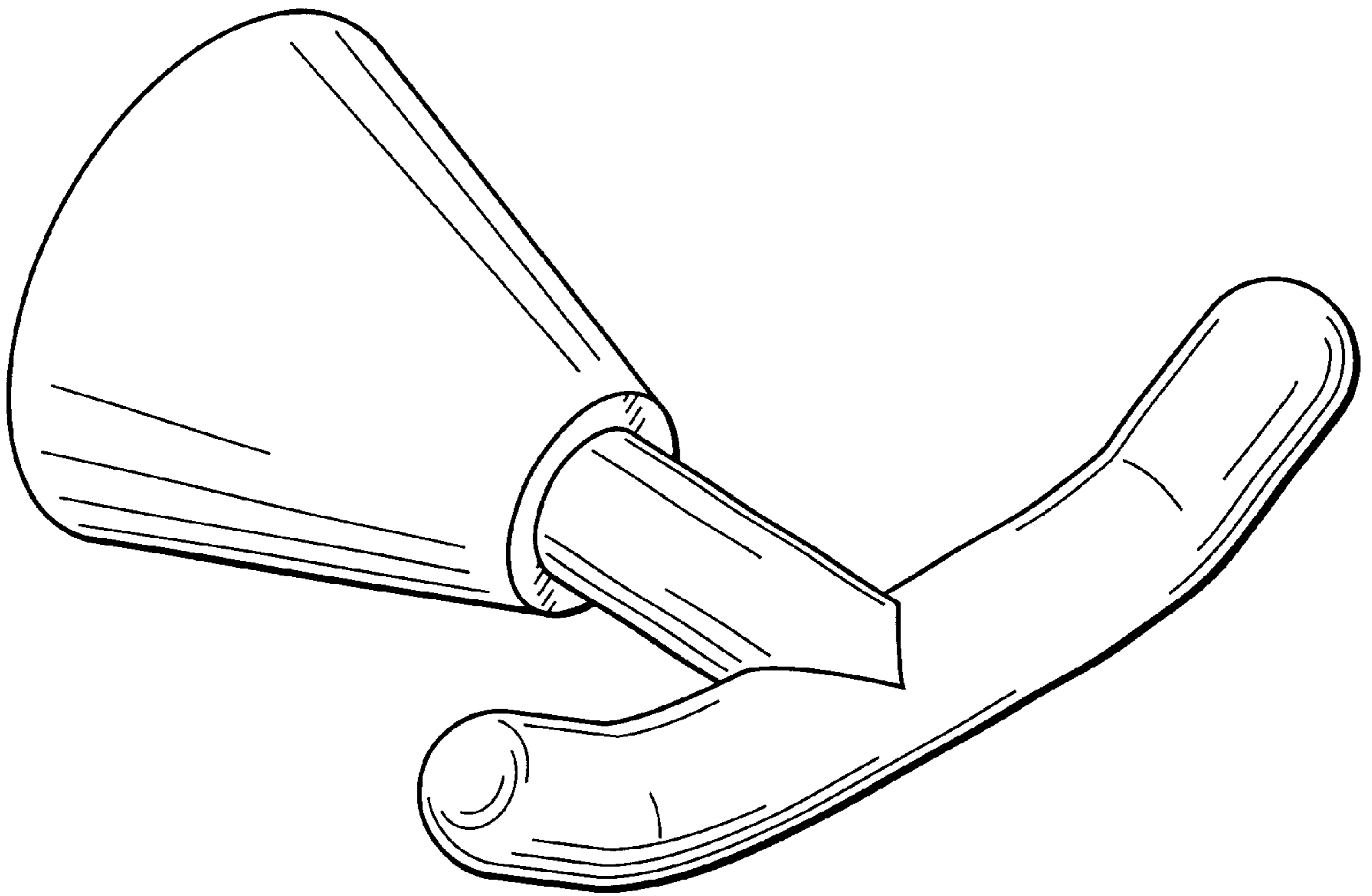


FIG. 1

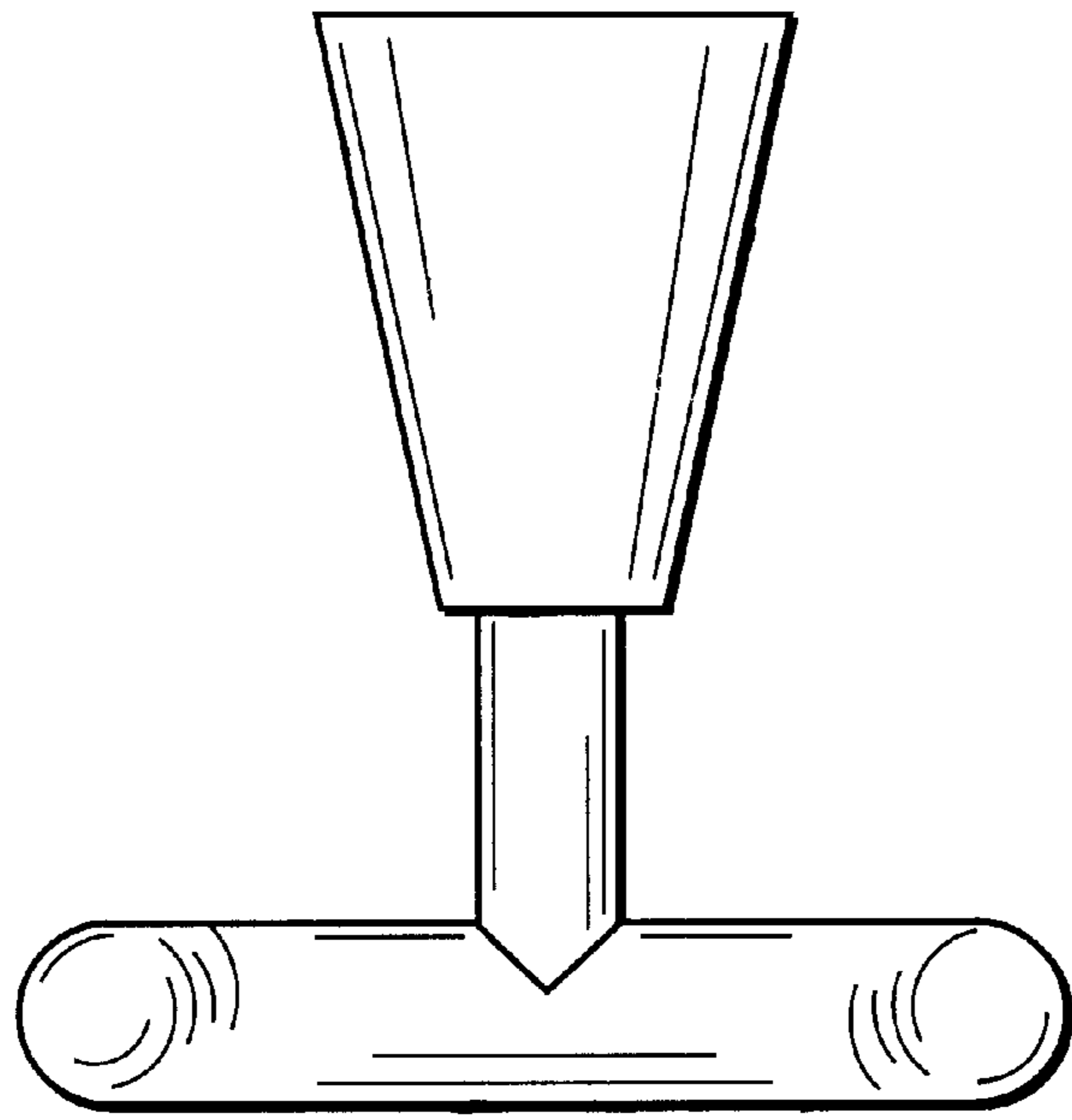


FIG. 2

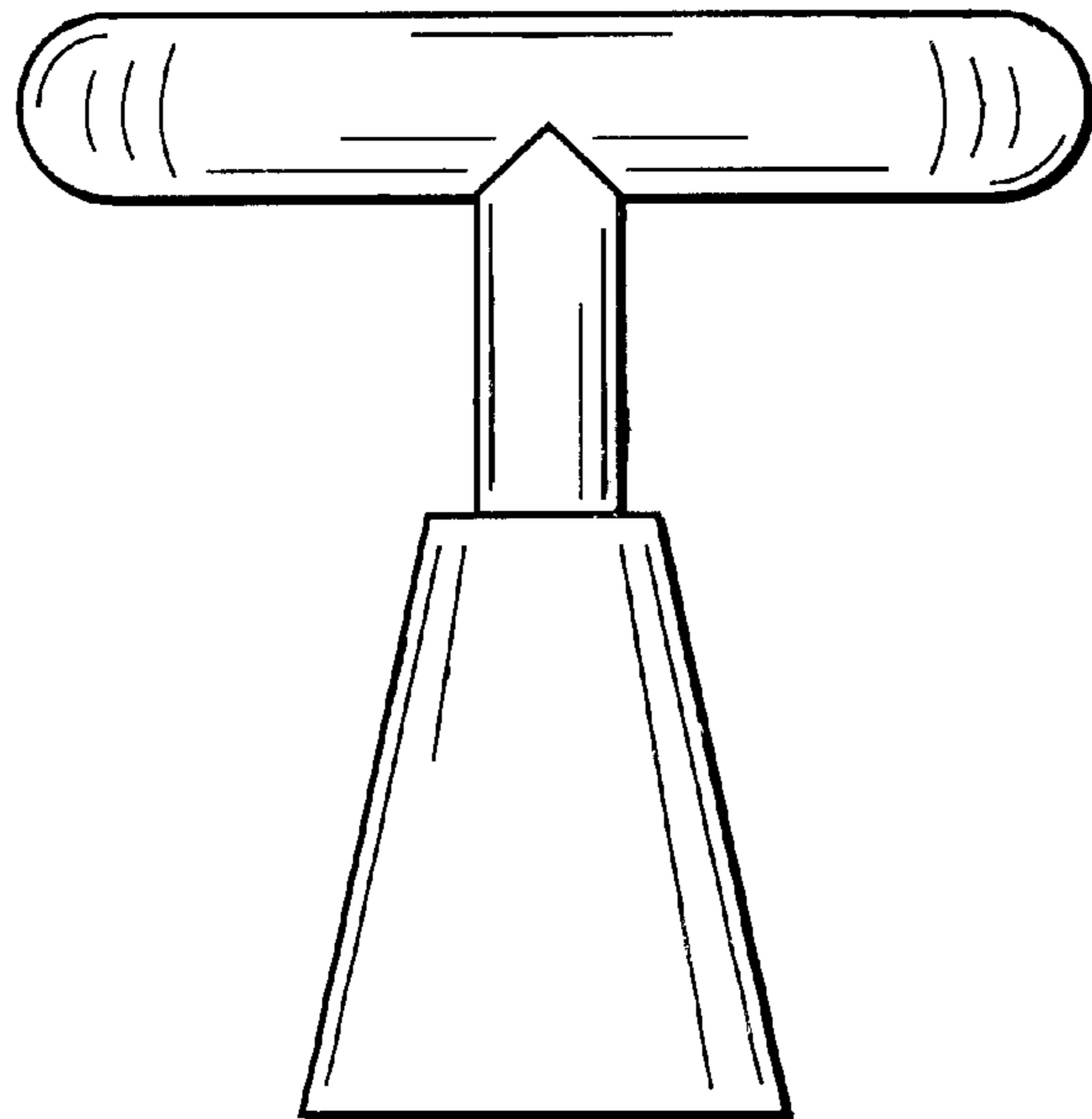


FIG. 3

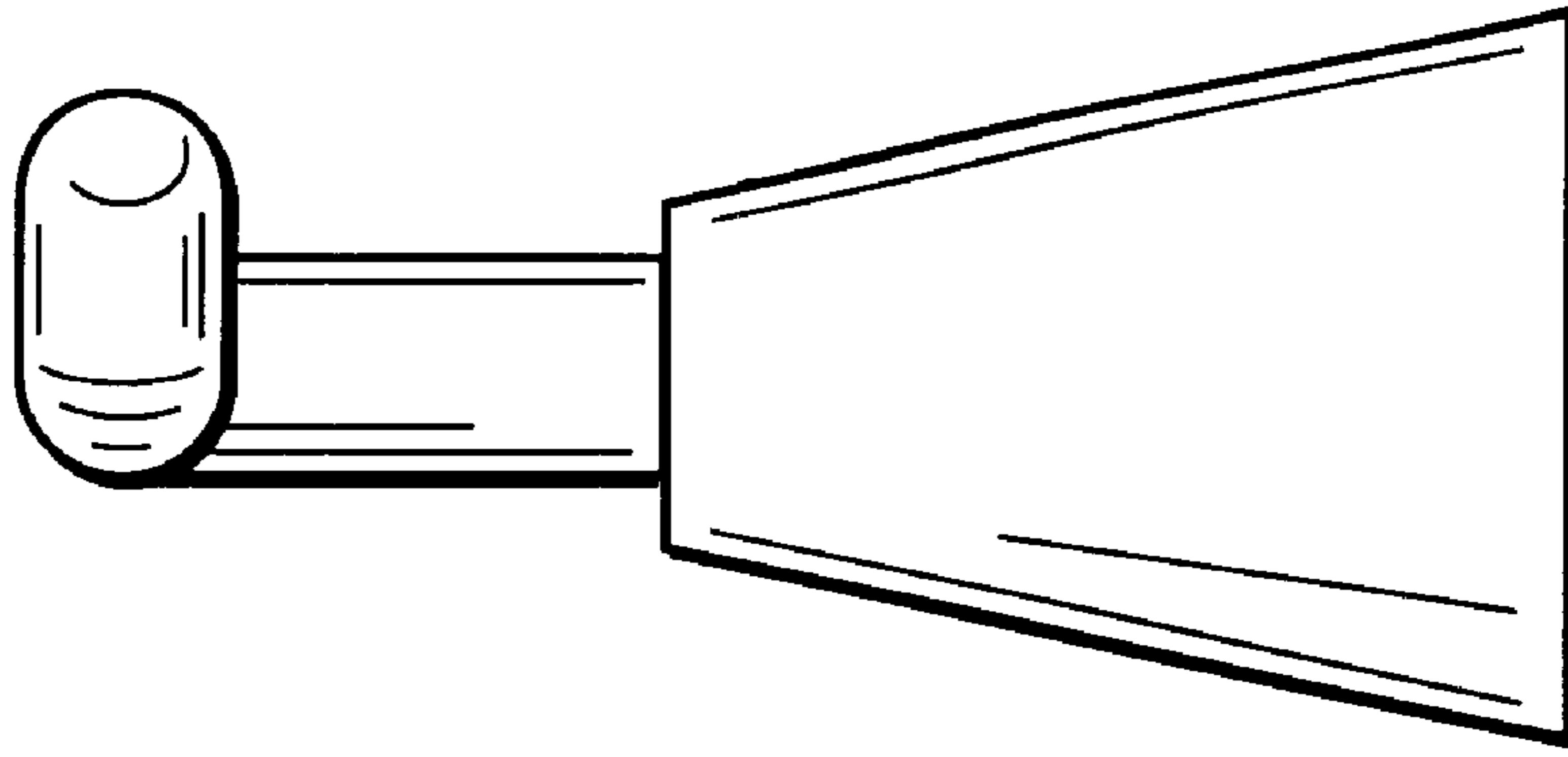


FIG. 4

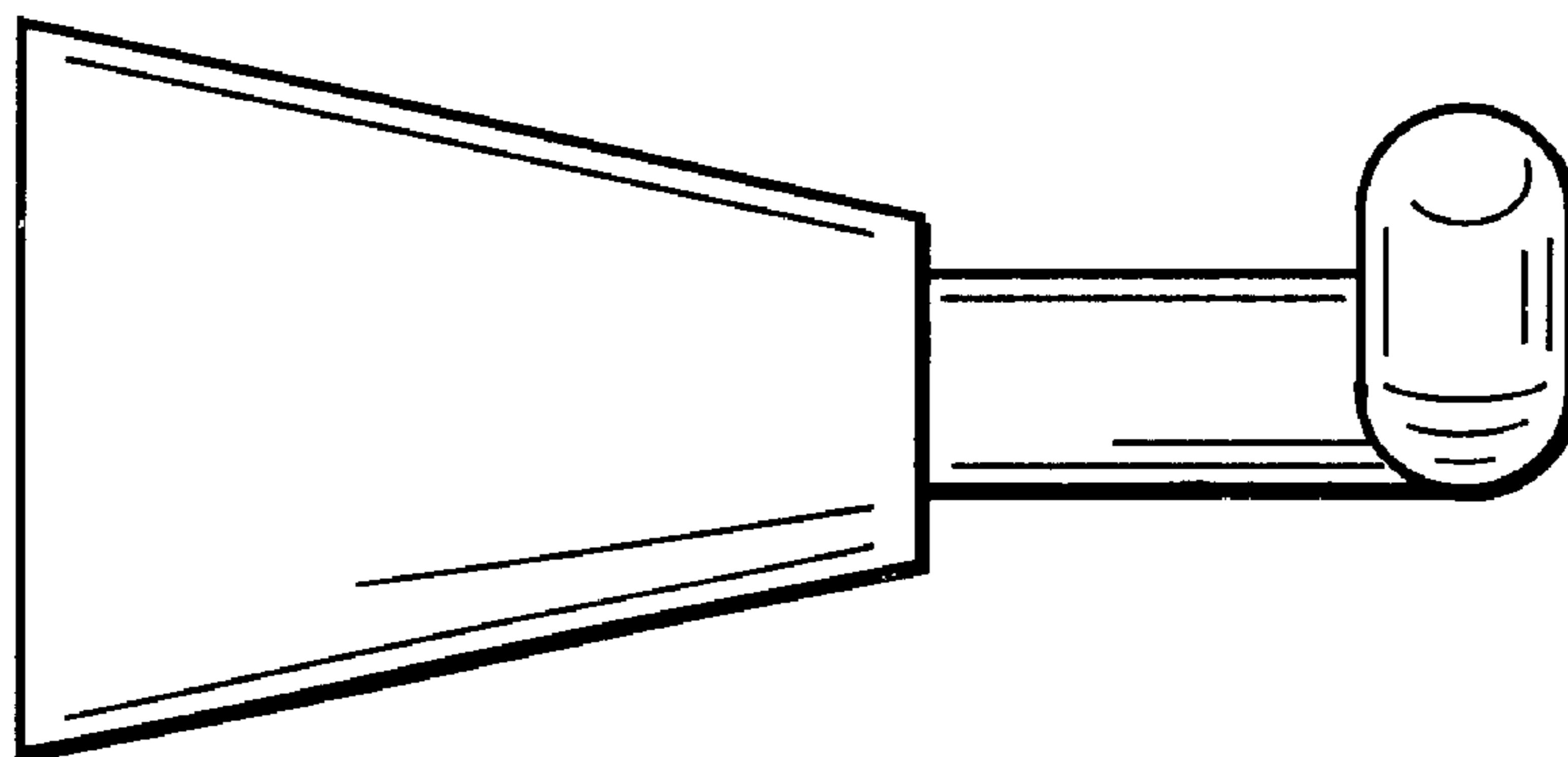


FIG. 5

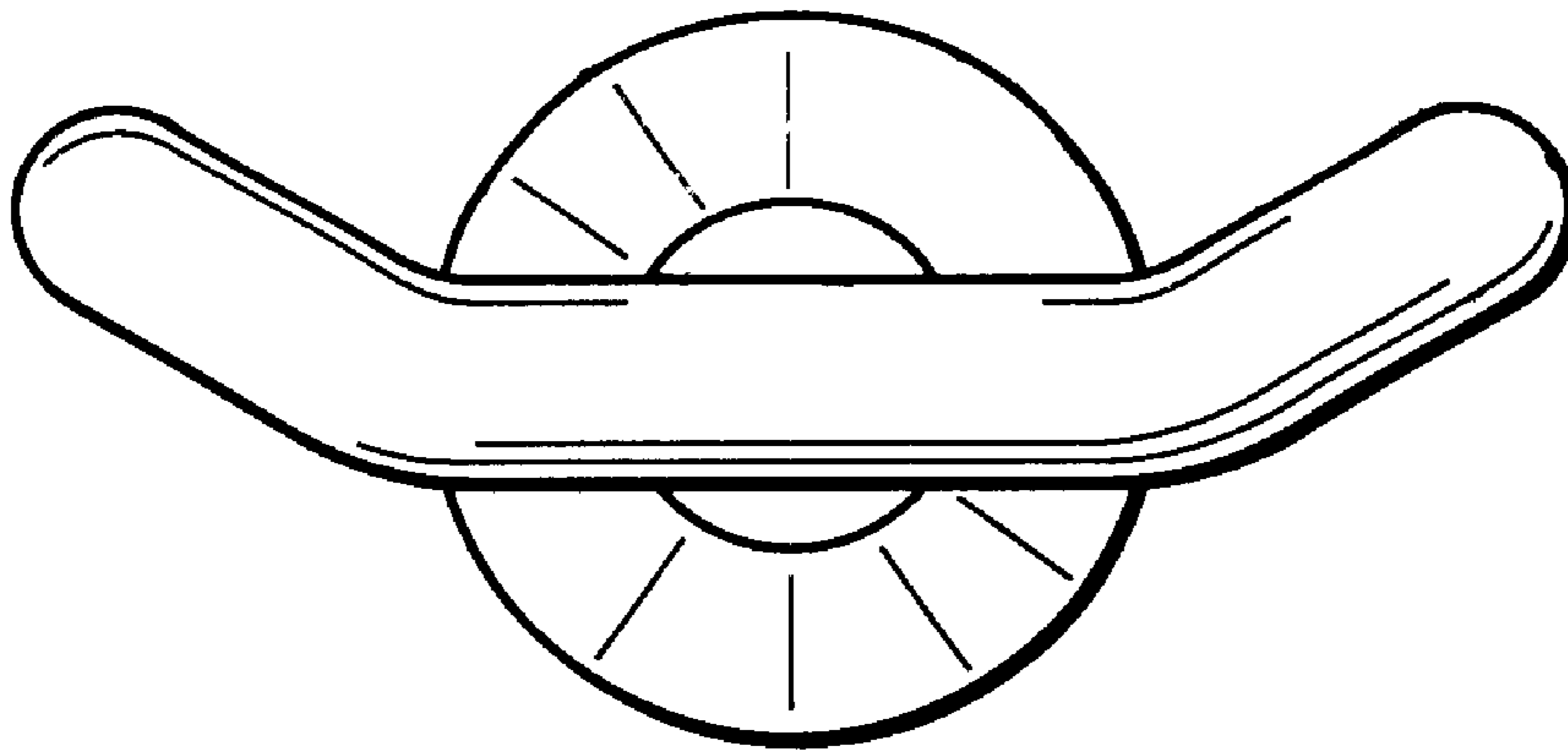


FIG. 6

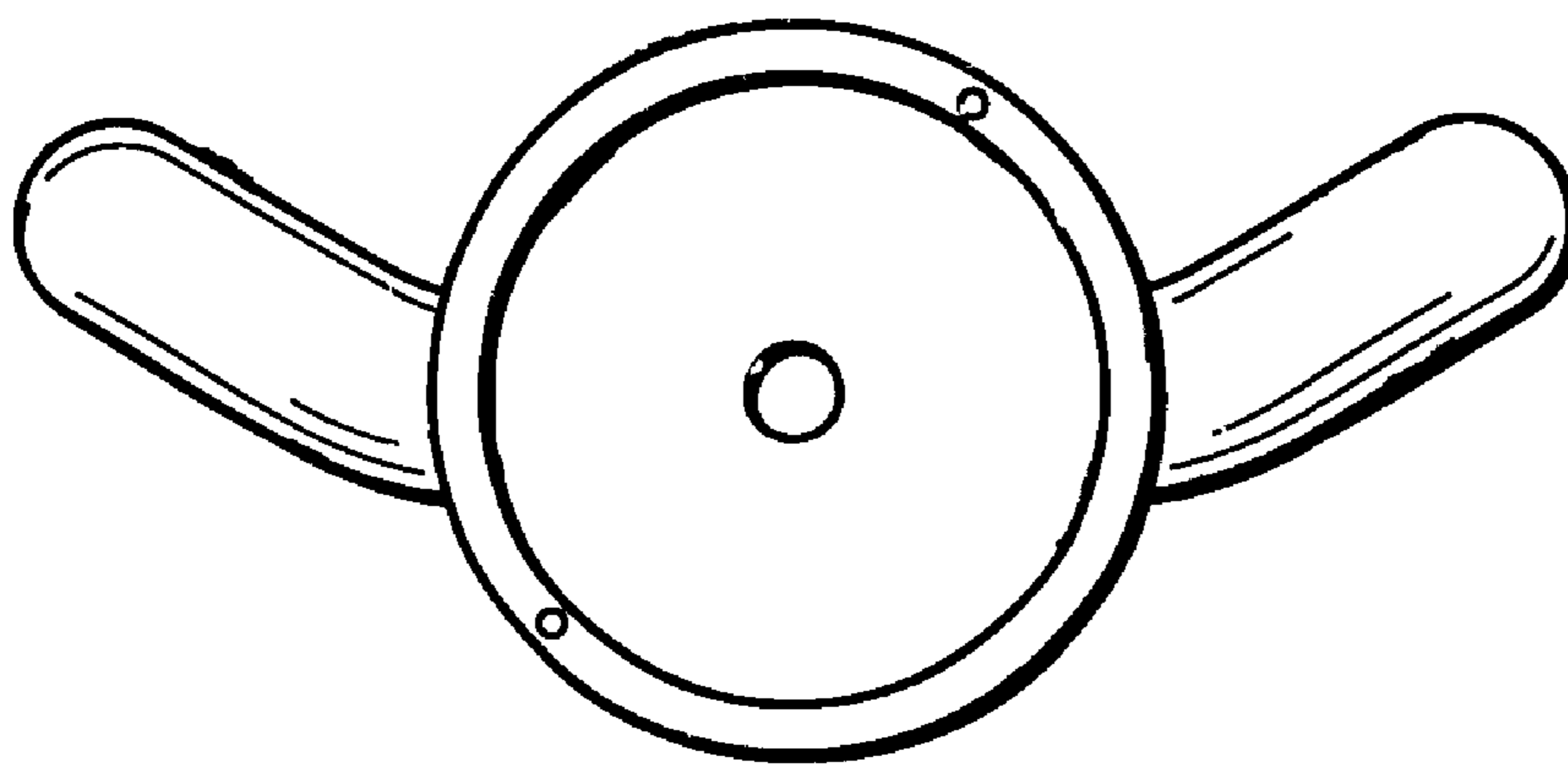


FIG. 7