



US00D464799S

(12) **United States Design Patent**  
**Crossman et al.**

(10) **Patent No.:** **US D464,799 S**

(45) **Date of Patent:** **\*\* Oct. 29, 2002**

(54) **SET OF BRISTLES FOR A TOOTHBRUSH**

D396,753 S 8/1998 Moskovich ..... D4/104  
D397,254 S 8/1998 Moskovich ..... D4/104  
D402,113 S 12/1998 Moskovich ..... D4/104

(75) Inventors: **Scott Philip Crossman**, Rockford, MI (US); **Carin Ellen Cali**, Andover, NJ (US); **Bernard Coopersmith**, Union, NJ (US)

**OTHER PUBLICATIONS**

U.S. patent application Ser. No. 29/154,755, filed Jan. 28, 2002, Crossman, et al.

(73) Assignee: **Ranir/DCP Corporation**, West Orange, NJ (US)

\* cited by examiner

(\*\*) Term: **14 Years**

*Primary Examiner*—Lisa Lichtenstein

(21) Appl. No.: **29/154,679**

(74) *Attorney, Agent, or Firm*—Drinker Biddle & Reath LLP

(22) Filed: **Jan. 28, 2002**

(57) **CLAIM**

(51) **LOC (7) Cl.** ..... **04-02**

The ornamental design for a set of bristles for a toothbrush, as shown and described.

(52) **U.S. Cl.** ..... **D4/104**

(58) **Field of Search** ..... D4/104, 112, 132-134, D4/138; 15/143.1, 159.1, 167.1, 167.2, 186, 187, 188, DIG. 5, DIG. 6; 132/308; 601/139, 141, 142

**DESCRIPTION**

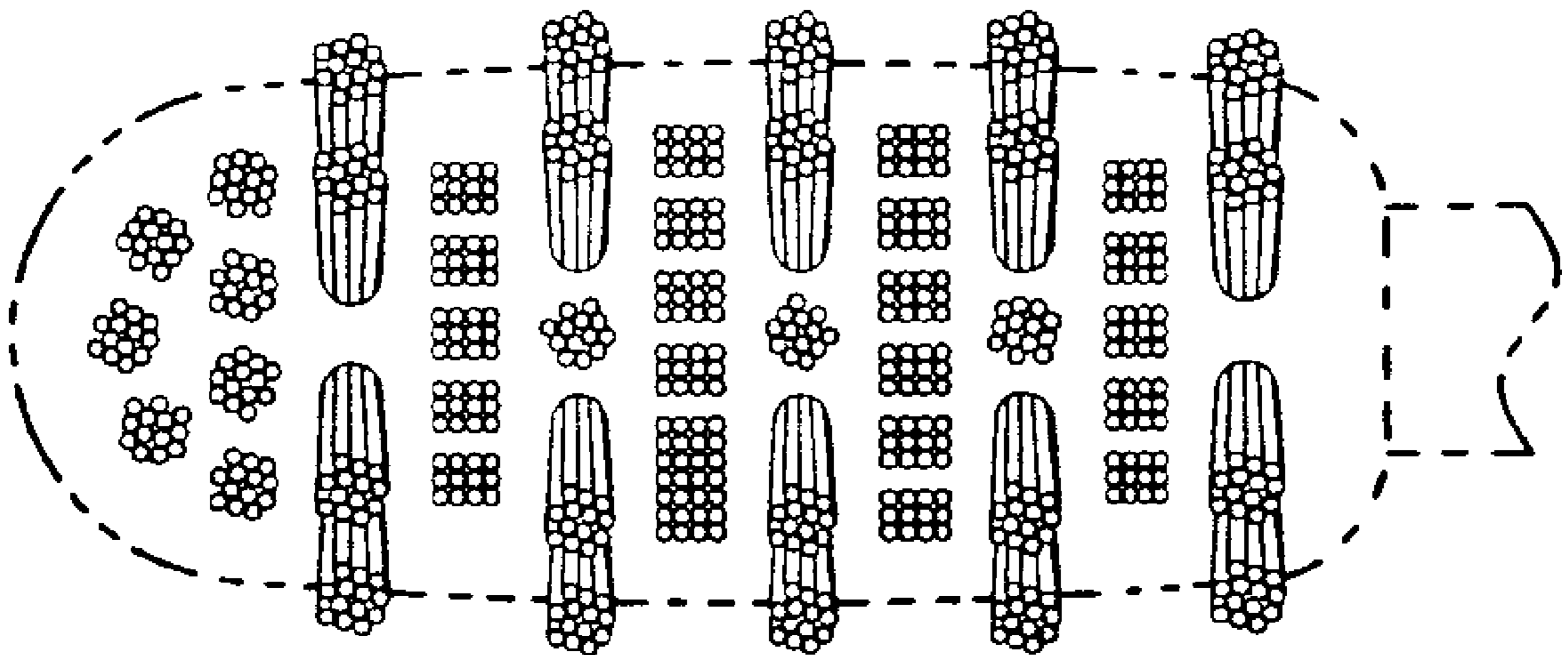
(56) **References Cited**

**U.S. PATENT DOCUMENTS**

D163,707 S	*	6/1951	Pifer	.....	D4/104
D330,286 S	*	10/1992	Curtis et al.	.....	D4/104
D334,472 S		4/1993	Curtis	.....	D4/104
D342,160 S		12/1993	Curtis	.....	D4/104
D342,161 S		12/1993	Curtis	.....	D4/104
D343,294 S		1/1994	Curtis	.....	D4/104
5,335,389 A		8/1994	Curtis	.....	15/167.1
5,341,537 A		8/1994	Curtis	.....	15/167.1
5,392,483 A		2/1995	Heinzelman	.....	15/167.1
5,446,940 A	*	9/1995	Curtis et al.	.....	15/110
D370,564 S	*	6/1996	Moskovich	.....	D4/104
D380,903 S	*	7/1997	Moskovich	.....	D4/104
D386,313 S		11/1997	Moskovich	.....	D4/104
D386,314 S		11/1997	Moskovich	.....	D4/104
D387,205 S		12/1997	Moskovich	.....	D4/104
D391,768 S		3/1998	Moskovich	.....	D4/104
D395,363 S		6/1998	Moskovich	.....	D4/104

FIG. 1 is a top plan view of a set of bristles for a toothbrush showing our design;  
FIG. 2 is a left side elevational view thereof, it being understood that the right side is a mirror image thereof;  
FIG. 3 is a bottom plan view thereof;  
FIG. 4 is a view from the head end thereof;  
FIG. 5 is a view from the handle end thereof;  
FIG. 6 is a perspective view from the right side thereof;  
FIG. 7 is a top plan view of a second embodiment of the design shown in FIGS. 1-6;  
FIG. 8 is a left side elevational view thereof, it being understood that the right side is a mirror image thereof;  
FIG. 9 is a bottom plan view thereof;  
FIG. 10 is a view from the head end thereof;  
FIG. 11 is a view from the handle end thereof; and,  
FIG. 12 is a perspective view from the right side thereof.  
The structure shown in broken lines in the Figures forms no part of the claimed design and is present only to illustrate the environment.

**1 Claim, 2 Drawing Sheets**



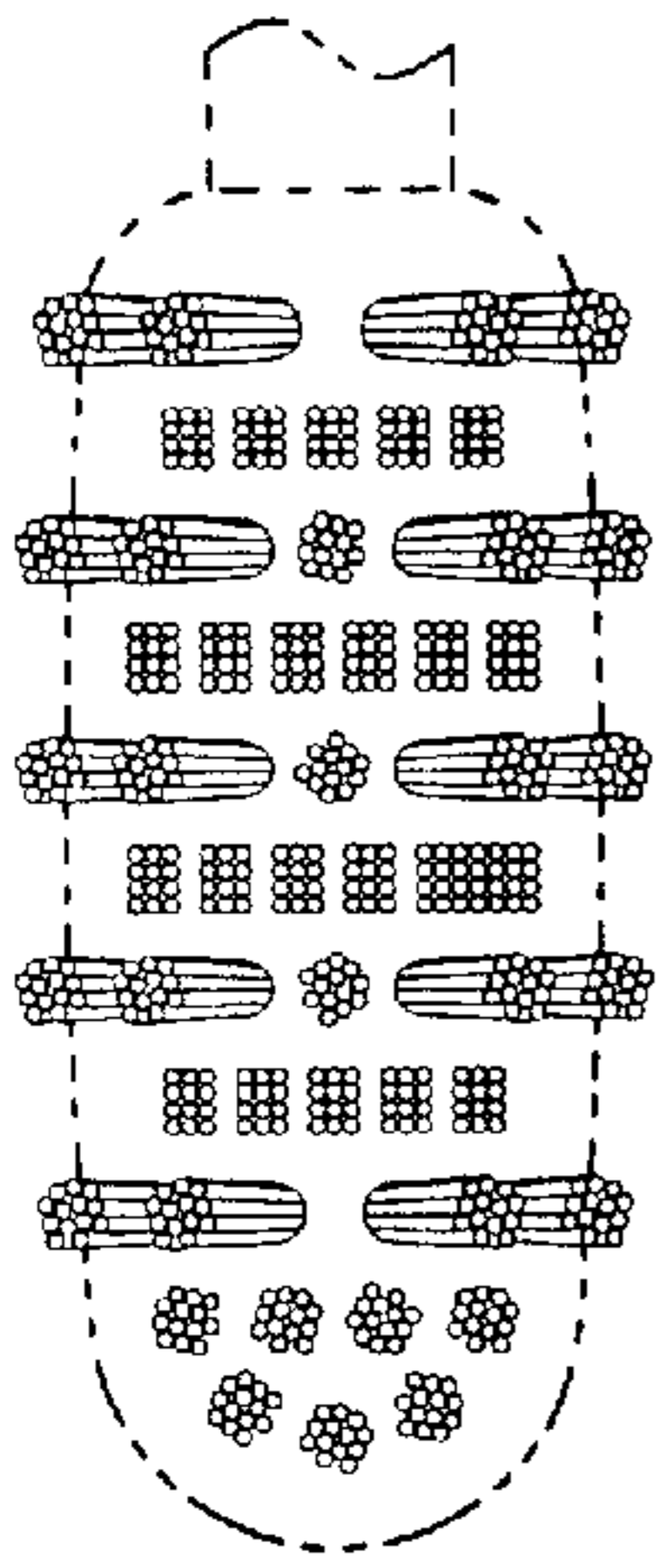


FIG. 1

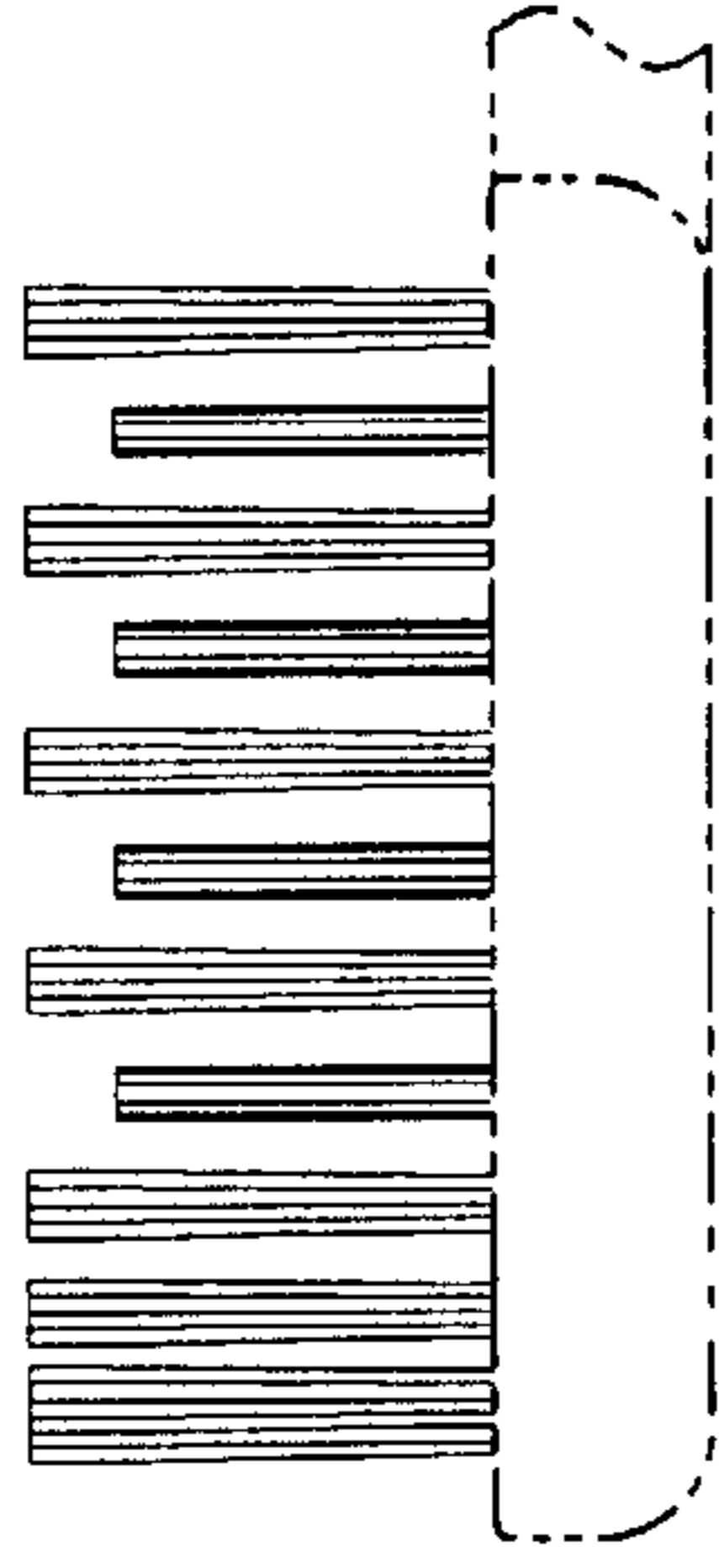


FIG. 2

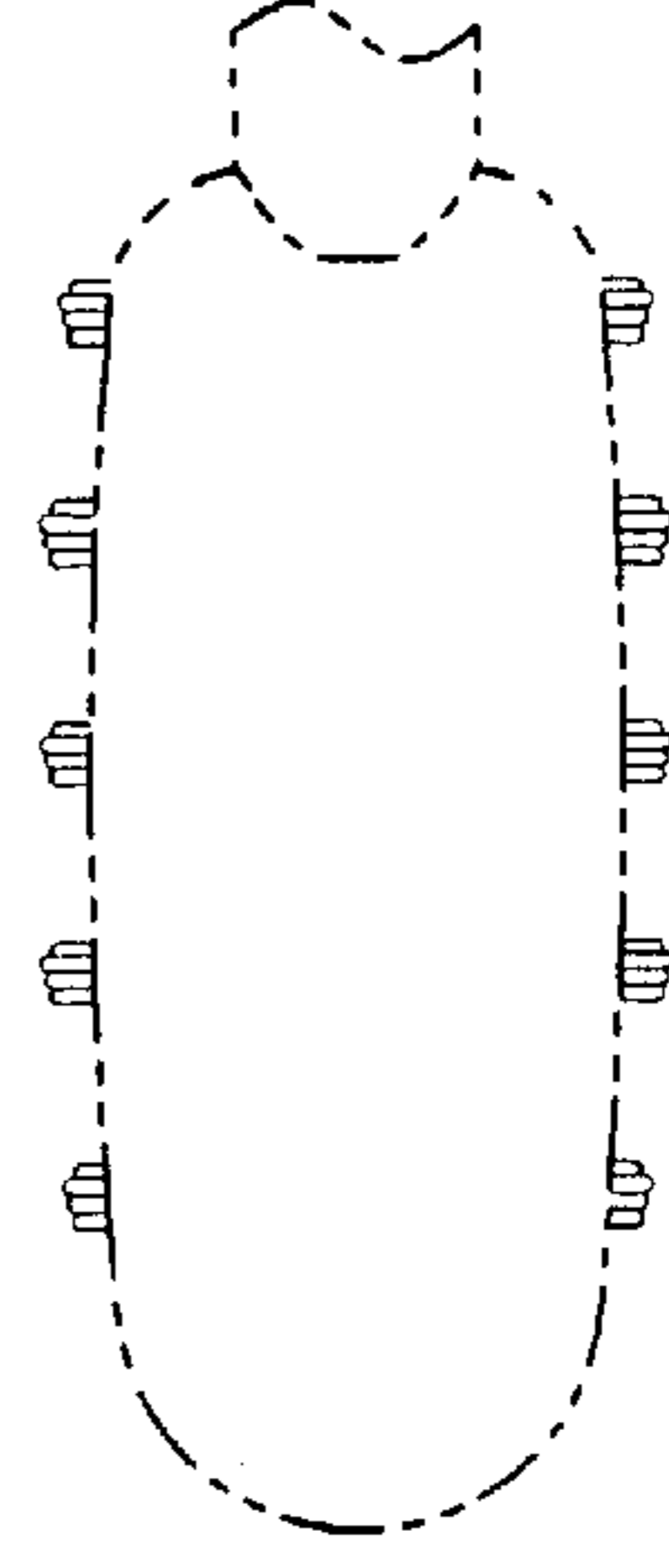


FIG. 3

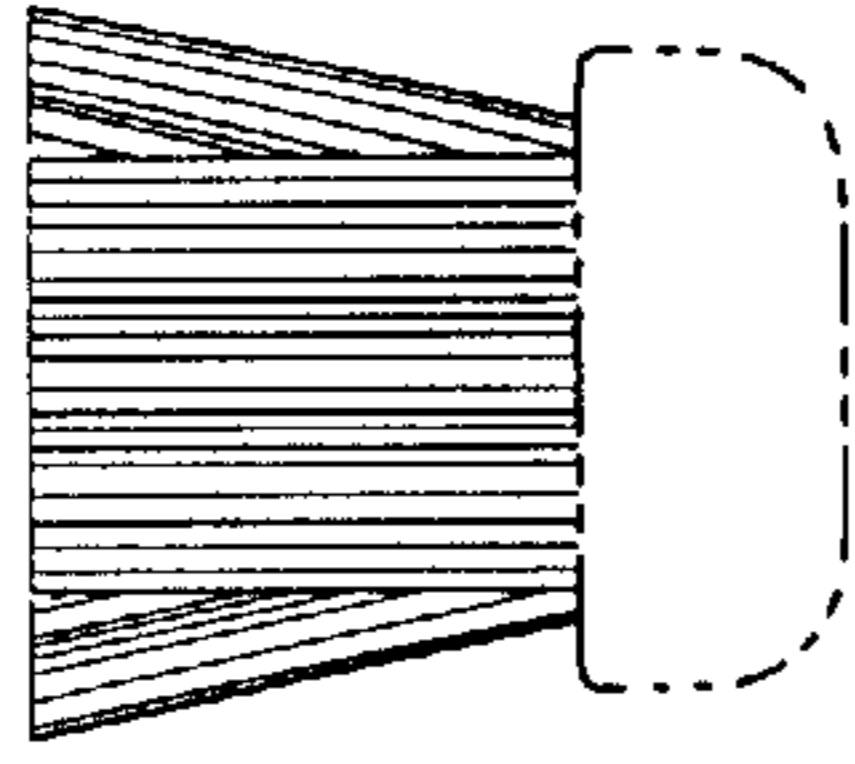


FIG. 4

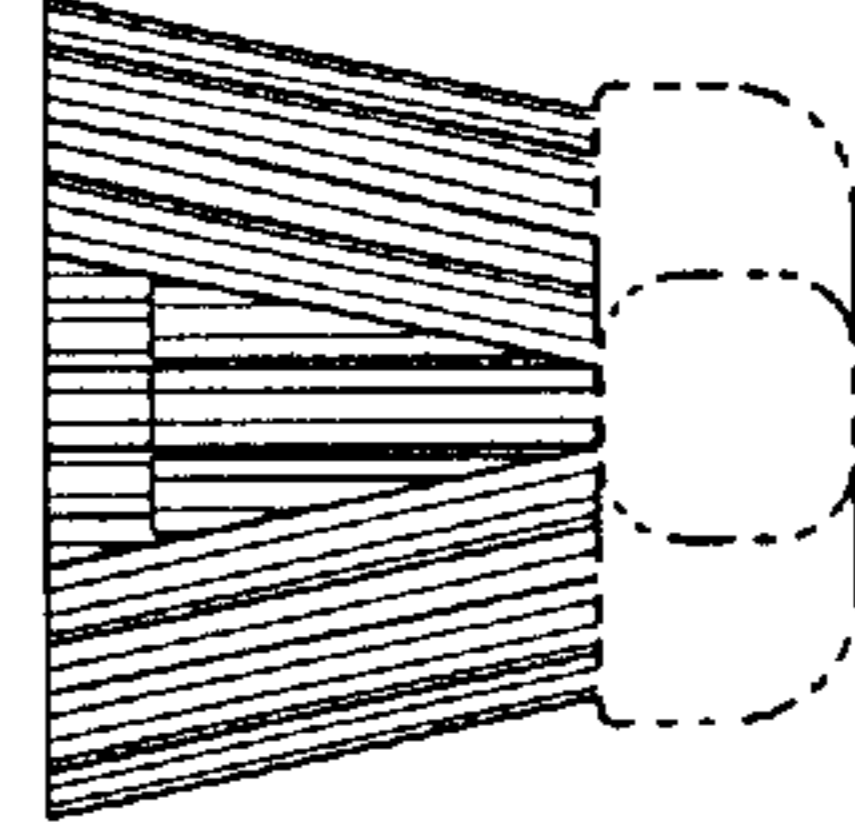


FIG. 5

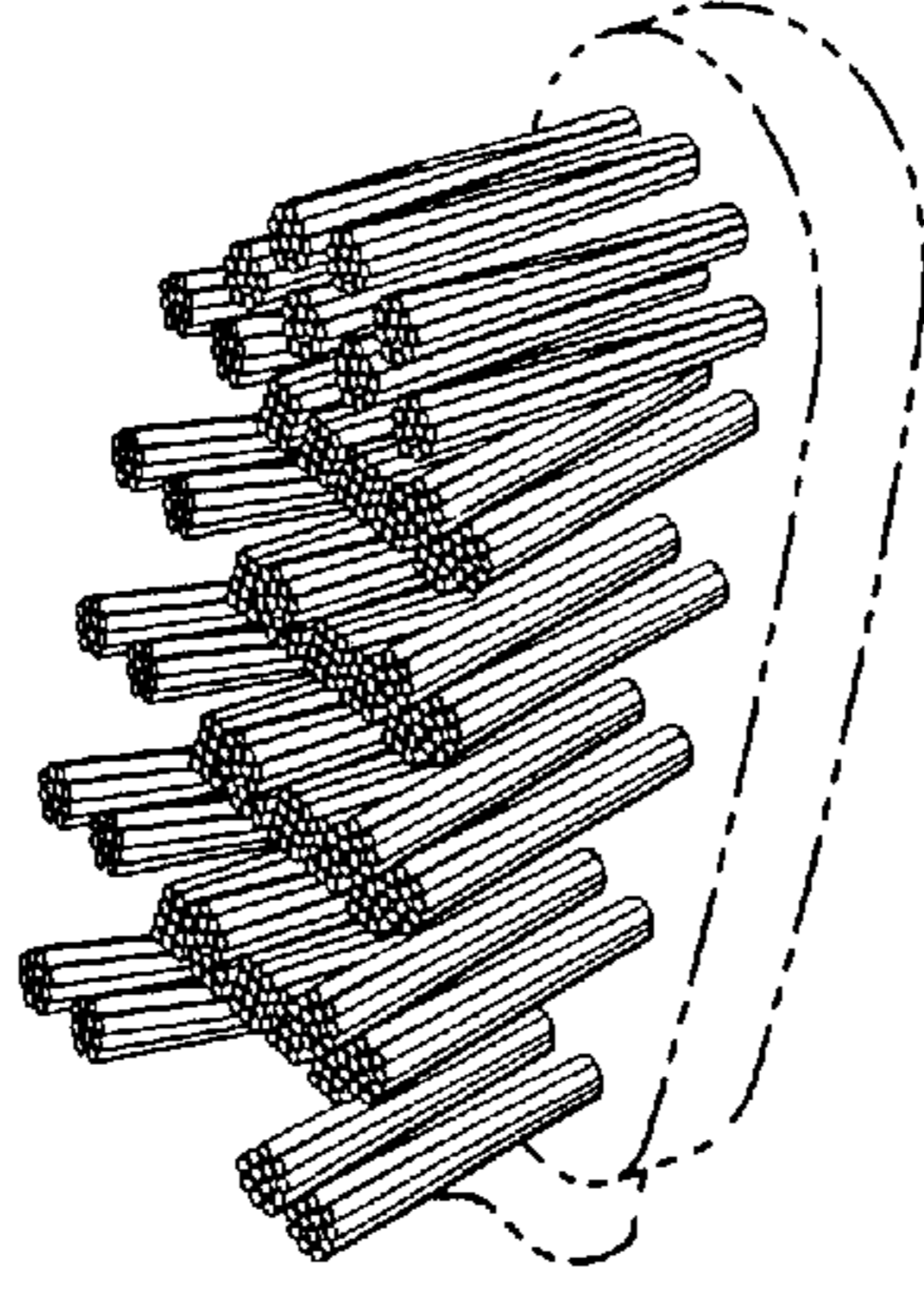


FIG. 6

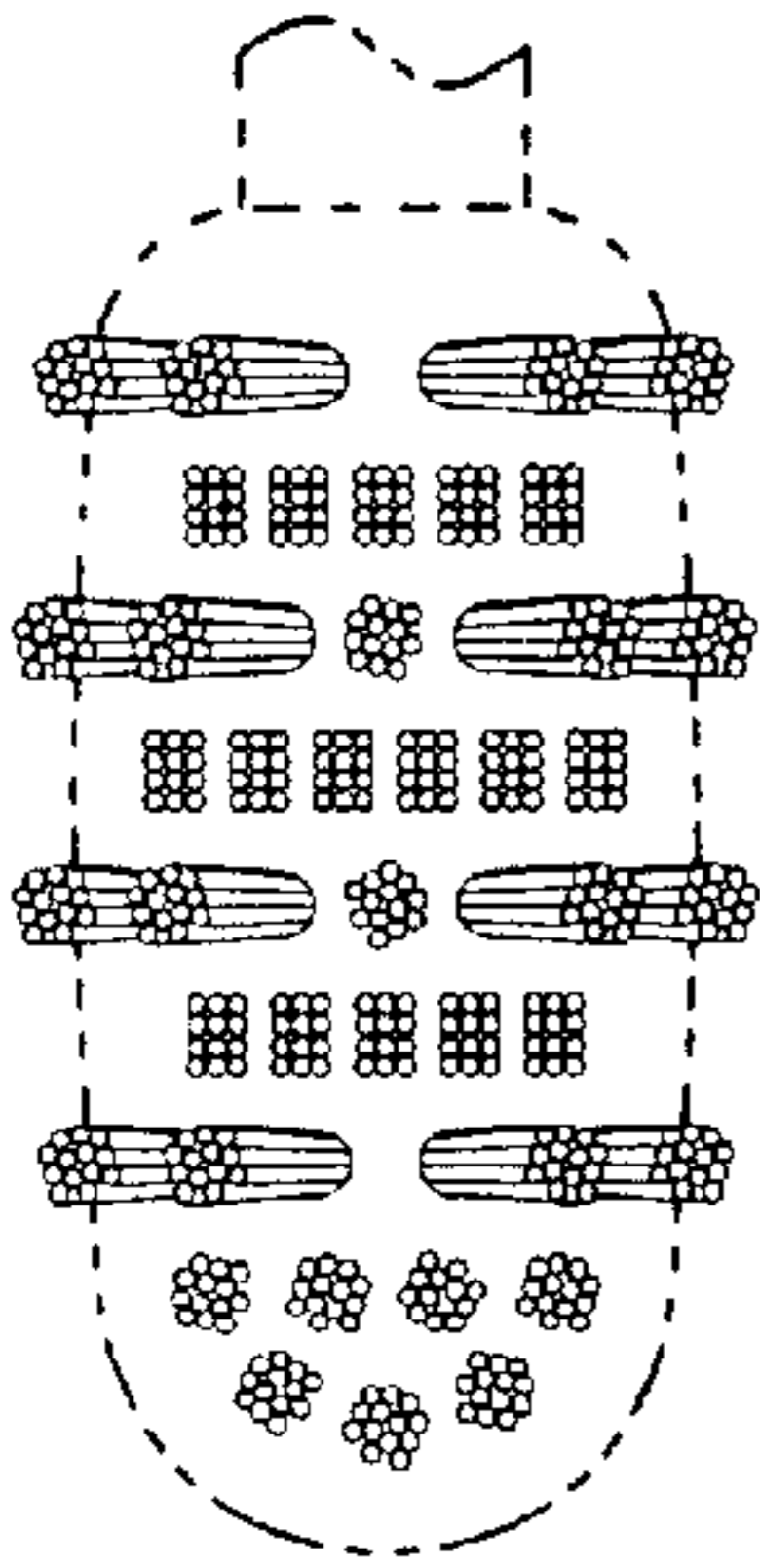


FIG. 7

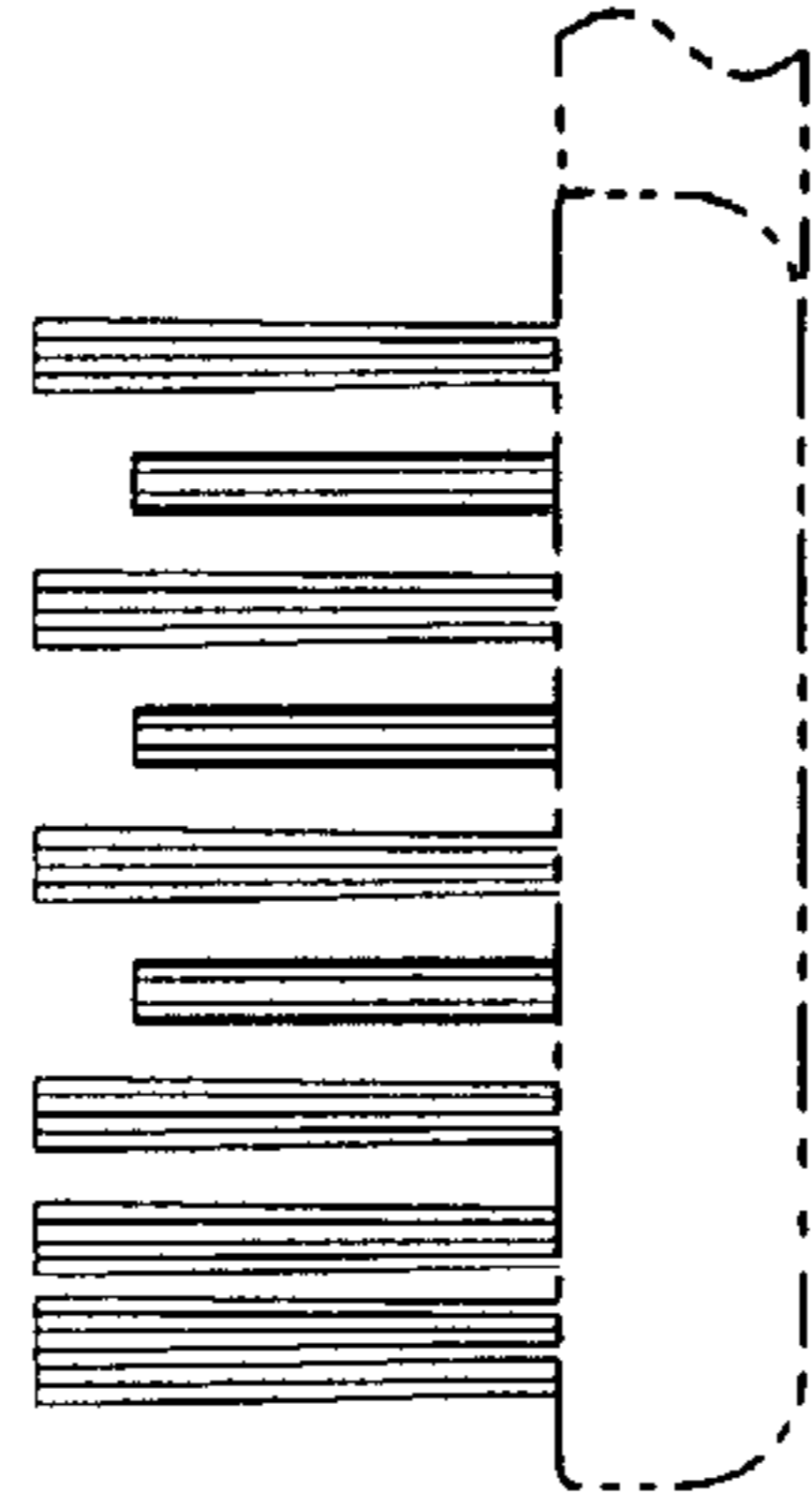


FIG. 8

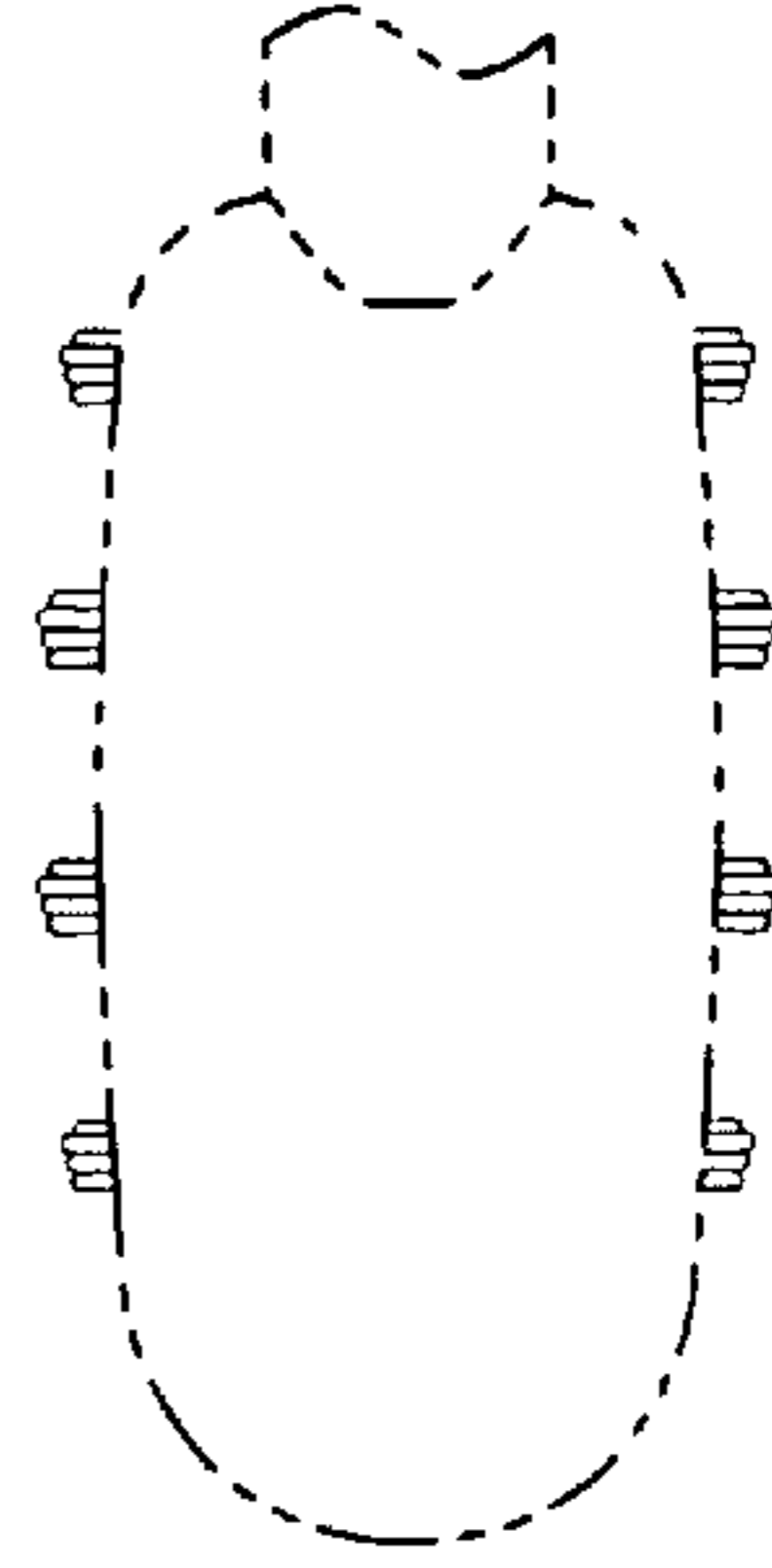


FIG. 9

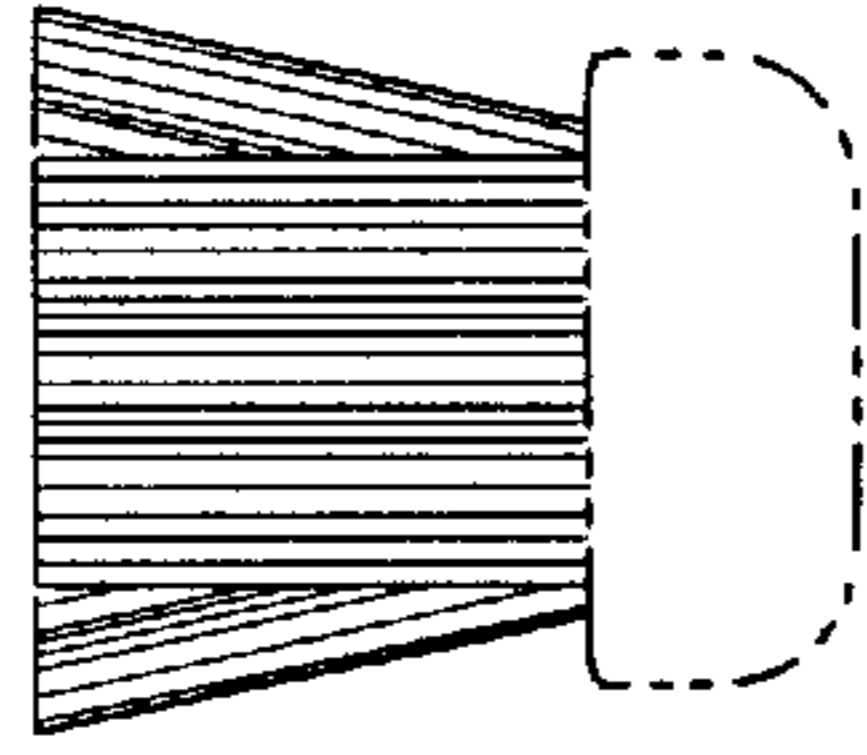


FIG. 10

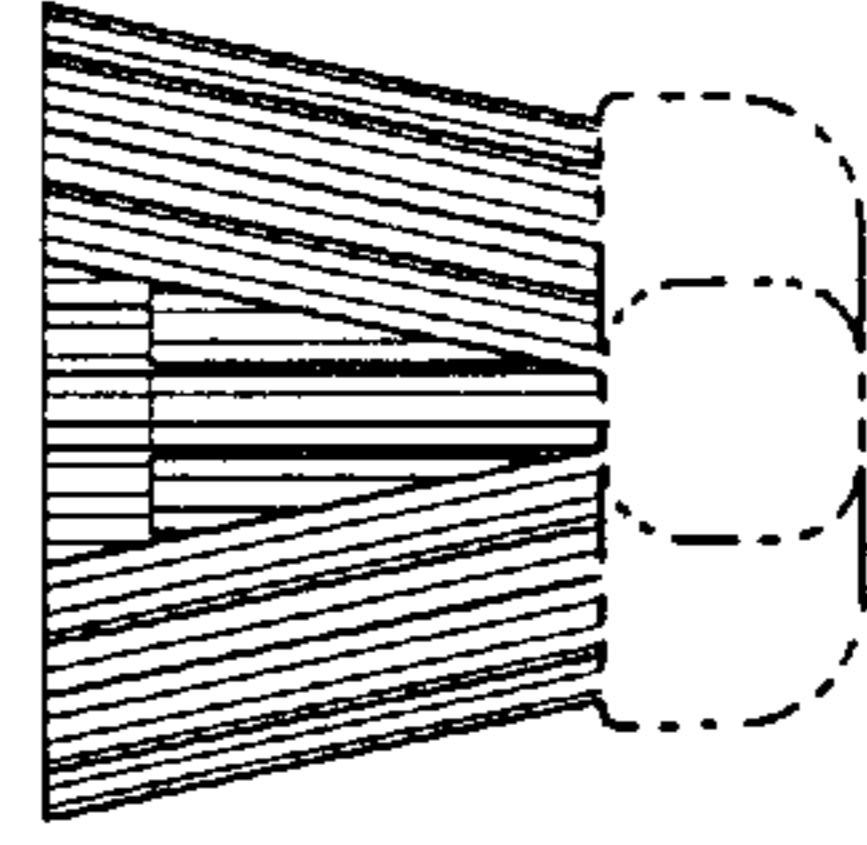


FIG. 11

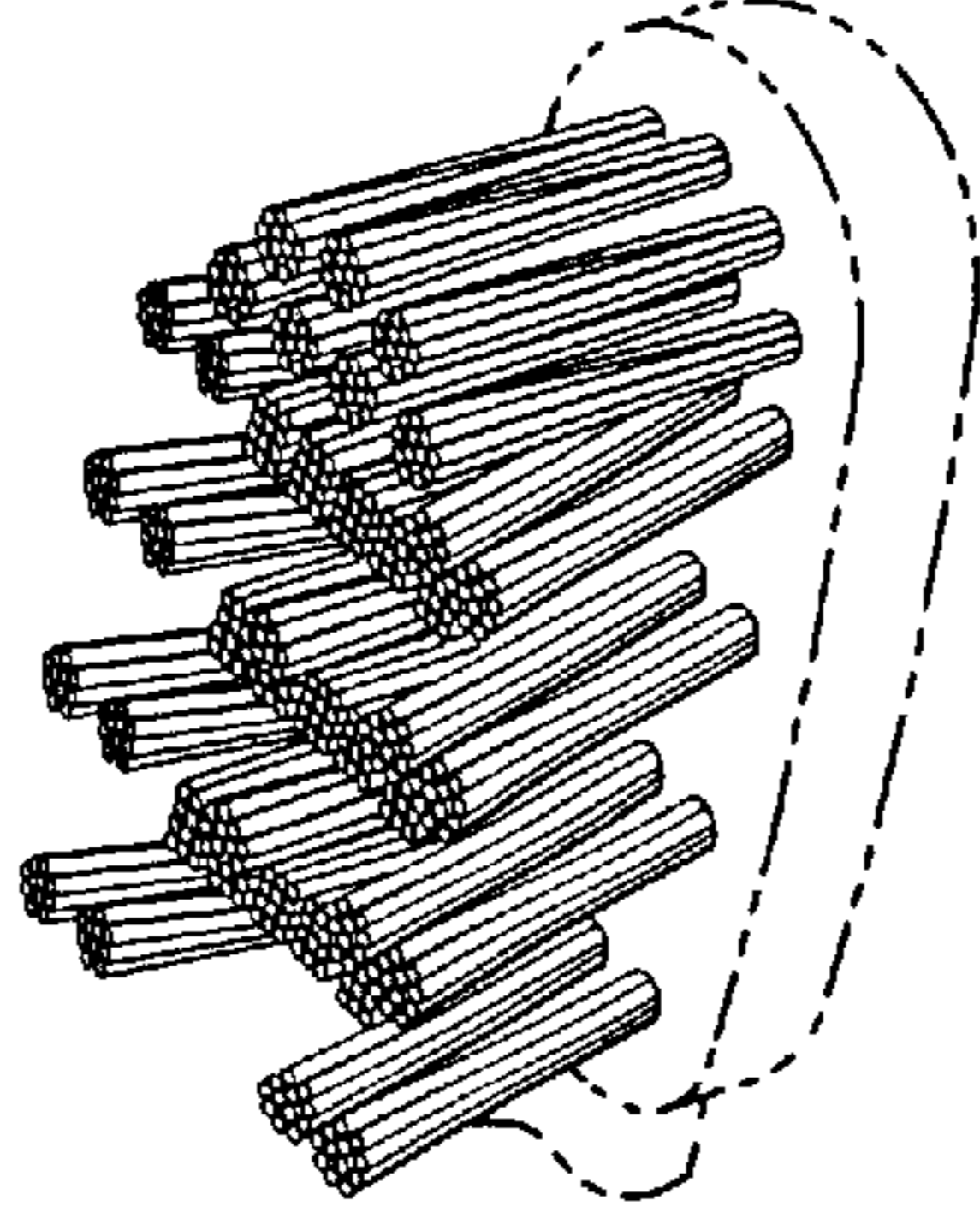


FIG. 12