

US00D464795S

(12) **United States Design Patent**
Lin et al.

(10) **Patent No.:** **US D464,795 S**

(45) **Date of Patent:** **** Oct. 29, 2002**

(54) **CHEST**

(76) Inventors: **Yu-Sheng Lin**, 1F, No. 5, Alley 166,
Chong Yang Rd., Nan Gaang, Taipei
(TW); **Kun-Huo Lin**, No. 46, St. Jiunn
An, Shuh Lin, Taipei Hsien (TW)

(**) Term: **14 Years**

(21) Appl. No.: **29/149,824**

(22) Filed: **Oct. 19, 2001**

(51) **LOC (7) Cl.** **03-01**

(52) **U.S. Cl.** **D3/273; D6/432**

(58) **Field of Search** D3/272, 273, 294,
D3/295; D6/446, 432, 445; D25/16; D99/28;
D14/349; D20/4; 312/109, 198, 138.1

(56) **References Cited**

U.S. PATENT DOCUMENTS

- D338,469 S * 8/1993 Alden et al. D13/184
- D362,843 S * 10/1995 Alfonso et al. D14/349
- D393,724 S * 4/1998 Sagol D25/16
- D394,562 S * 5/1998 Di Blasi D6/446

- D405,540 S * 2/1999 Maple D25/16
- D432,330 S * 10/2000 Stettes et al. D6/432
- D444,626 S * 7/2001 Anderson et al. D3/273
- D445,234 S * 7/2001 Isaacs et al. D3/294

* cited by examiner

Primary Examiner—Philip S. Hyder
(74) *Attorney, Agent, or Firm*—Dennison, Schultz &
Dougherty

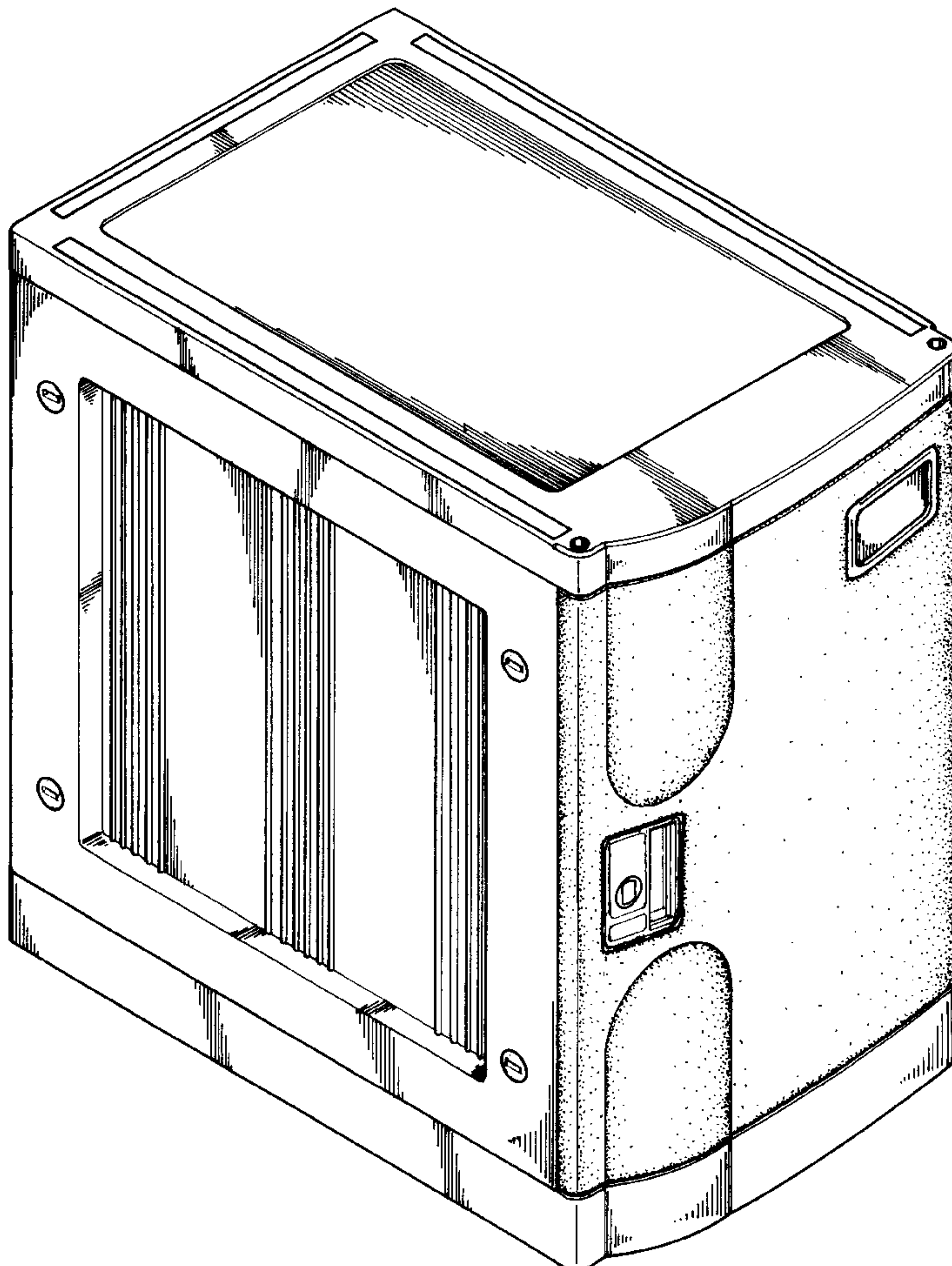
(57) **CLAIM**

The ornamental design for a chest, as shown and described.

DESCRIPTION

FIG. 1 is a perspective view of a chest showing my new design;
FIG. 2 is a side elevation view thereof;
FIG. 3 is a top plan view thereof;
FIG. 4 is a front elevation view thereof;
FIG. 5 is a bottom plan view thereof;
FIG. 6 is an elevation view of side opposite to FIG. 2; and,
FIG. 7 is a rear elevation view thereof.

1 Claim, 4 Drawing Sheets



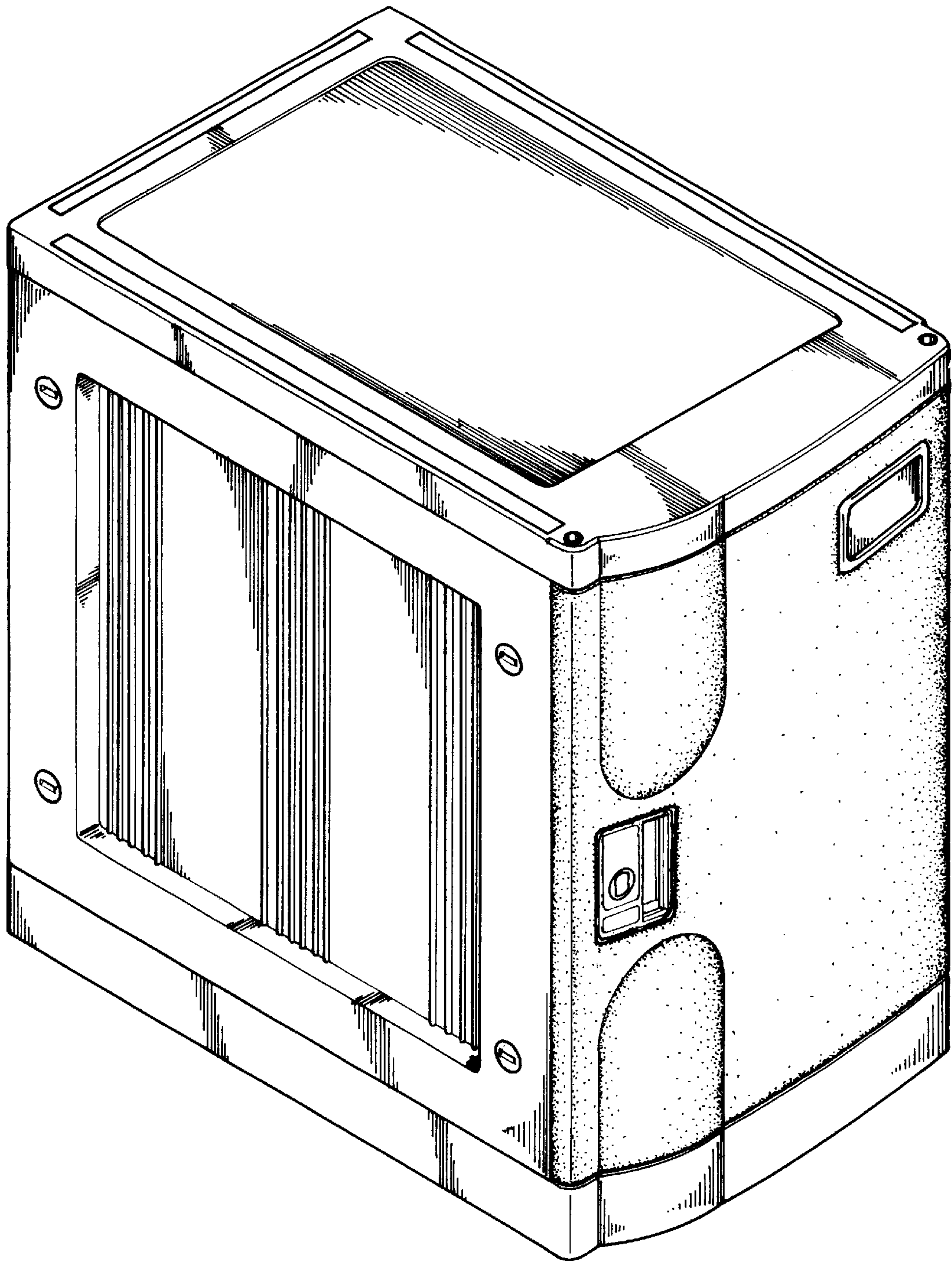


FIG. 1

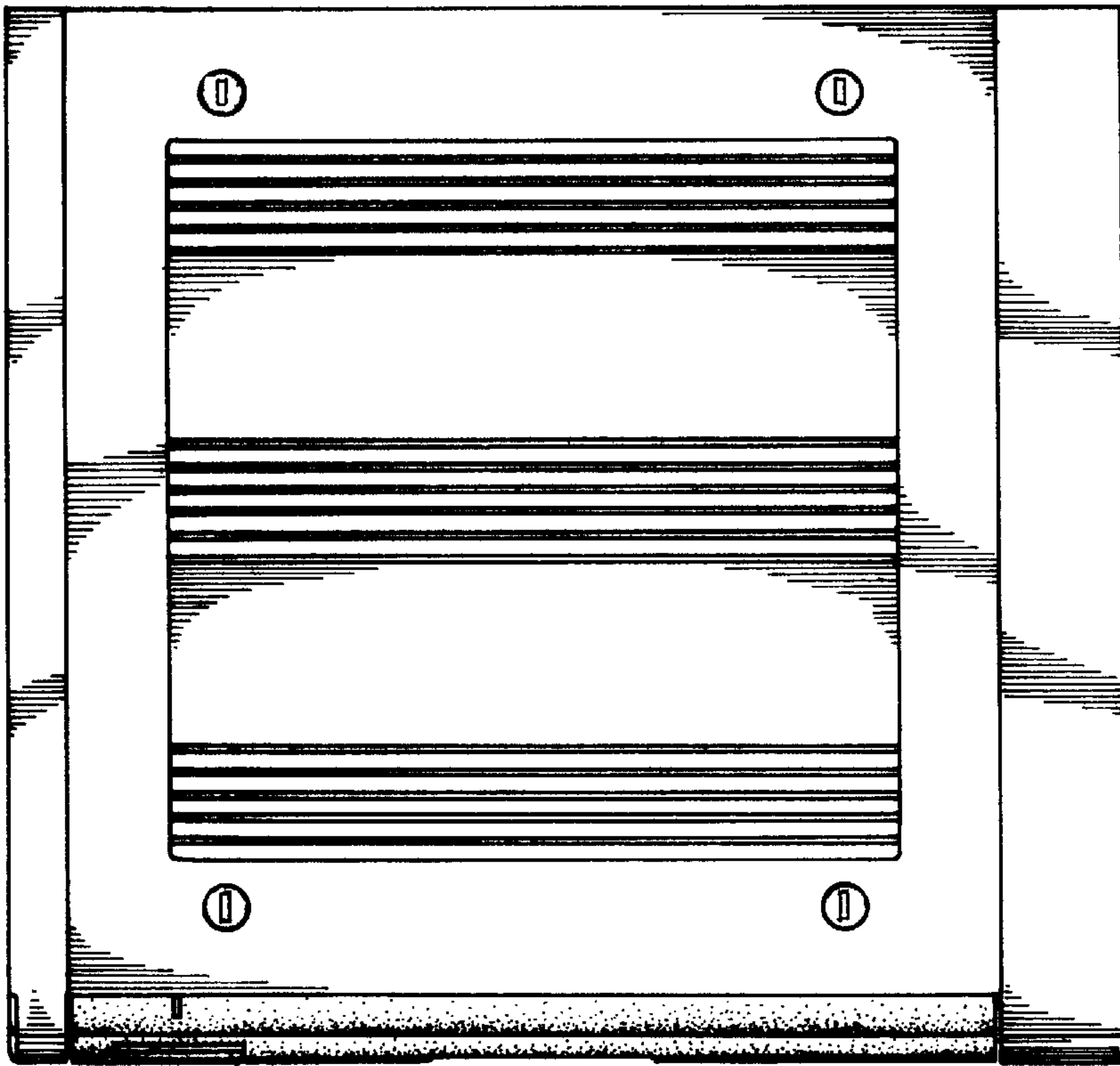


FIG. 2

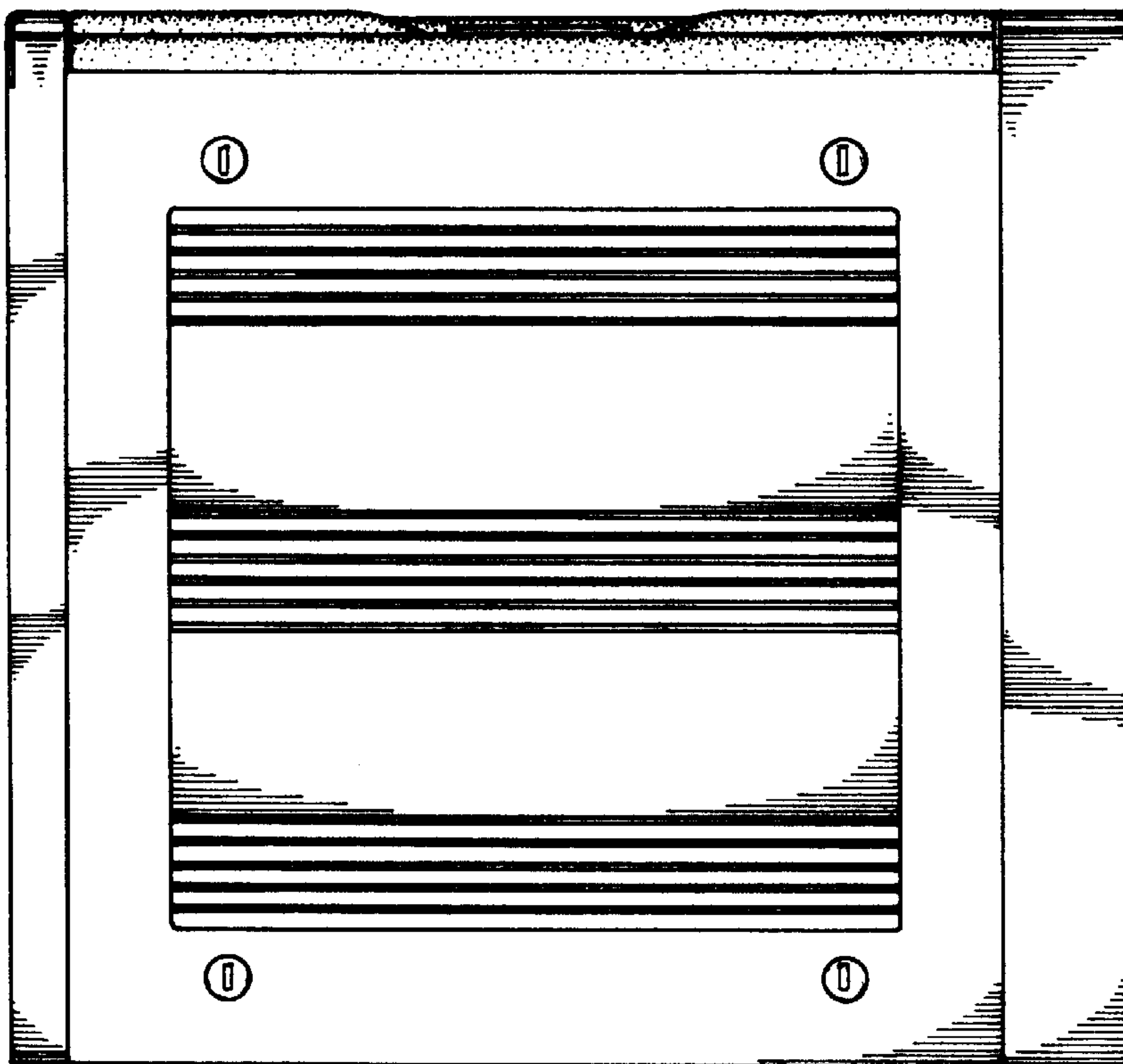


FIG. 6

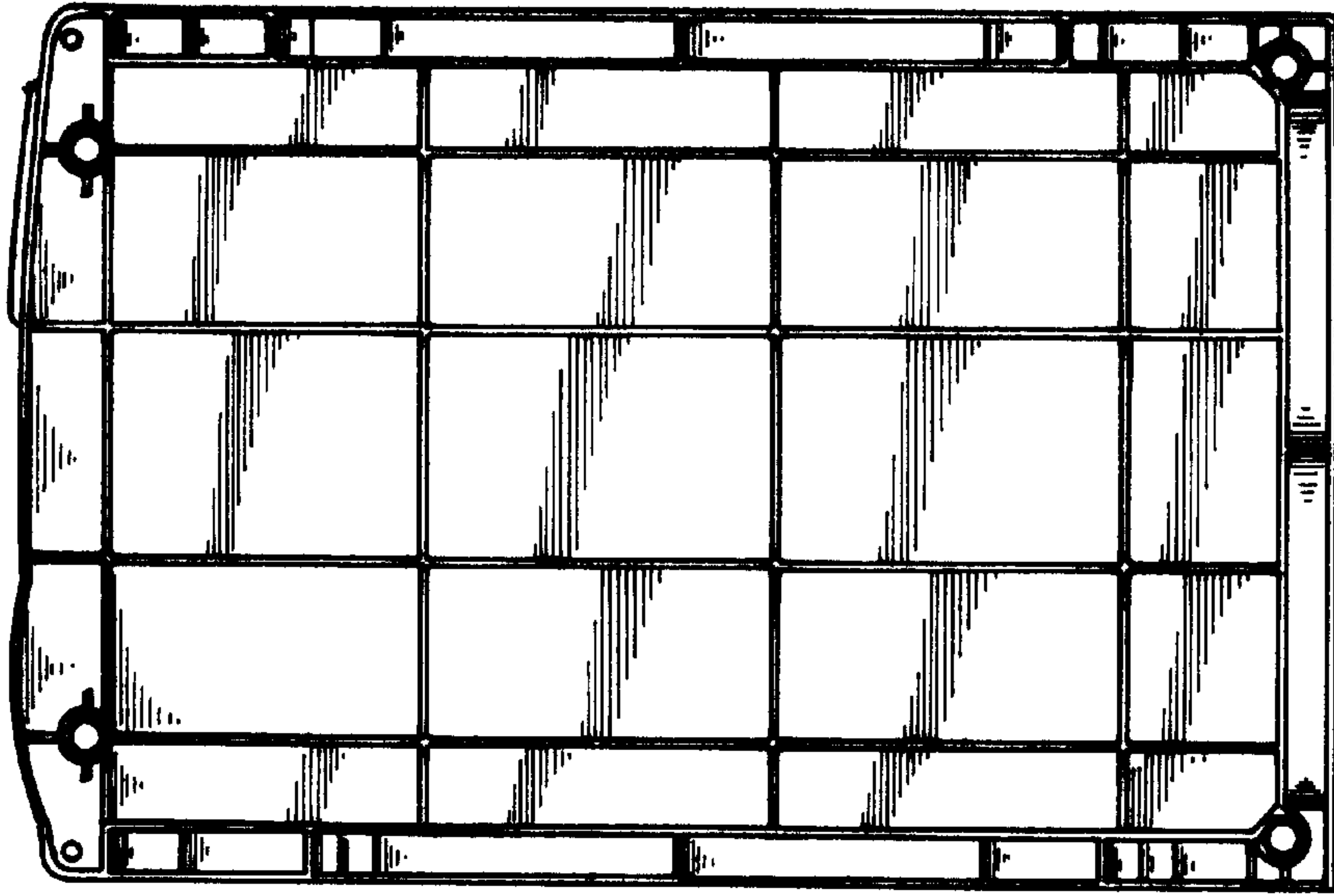


FIG. 5

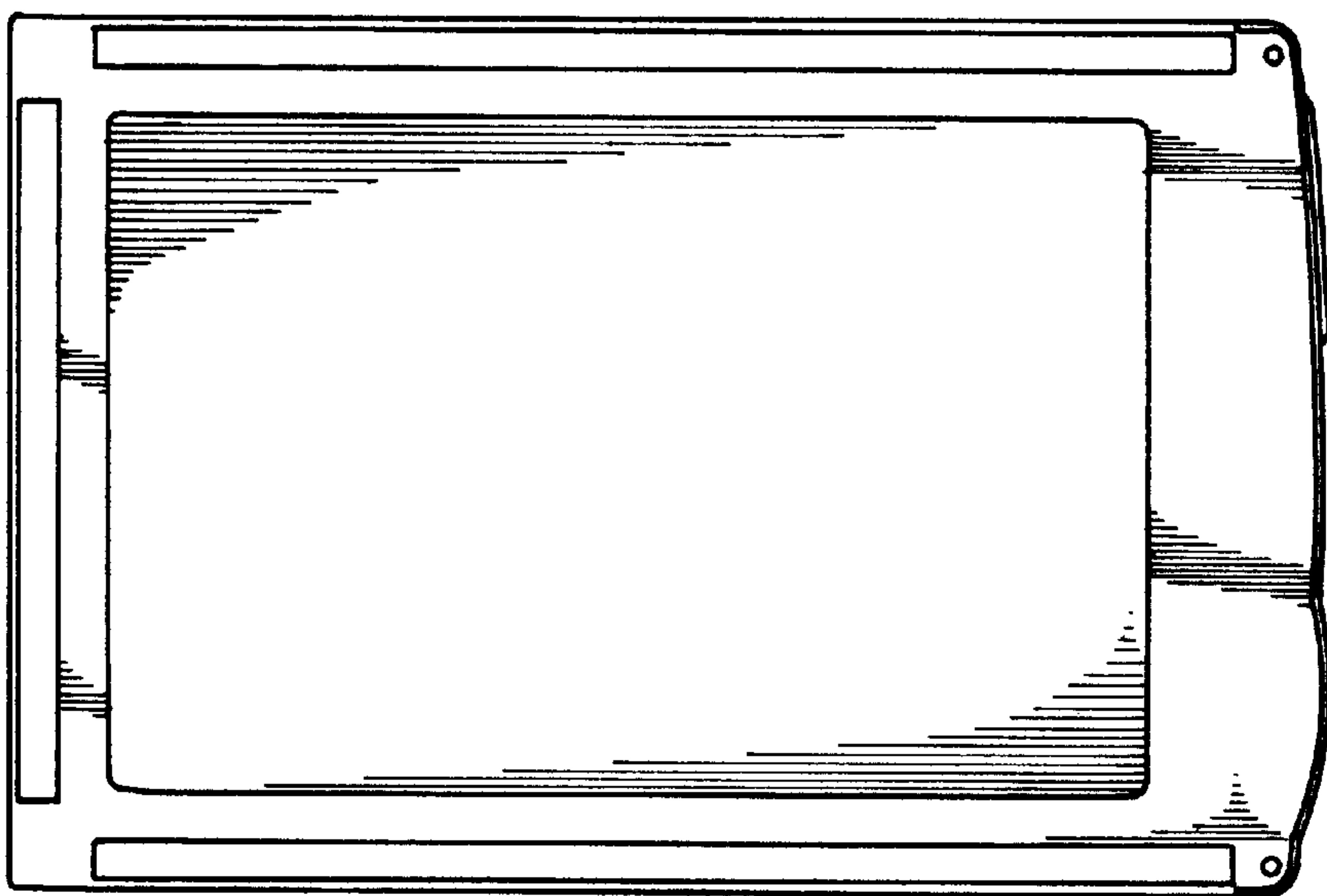


FIG. 3

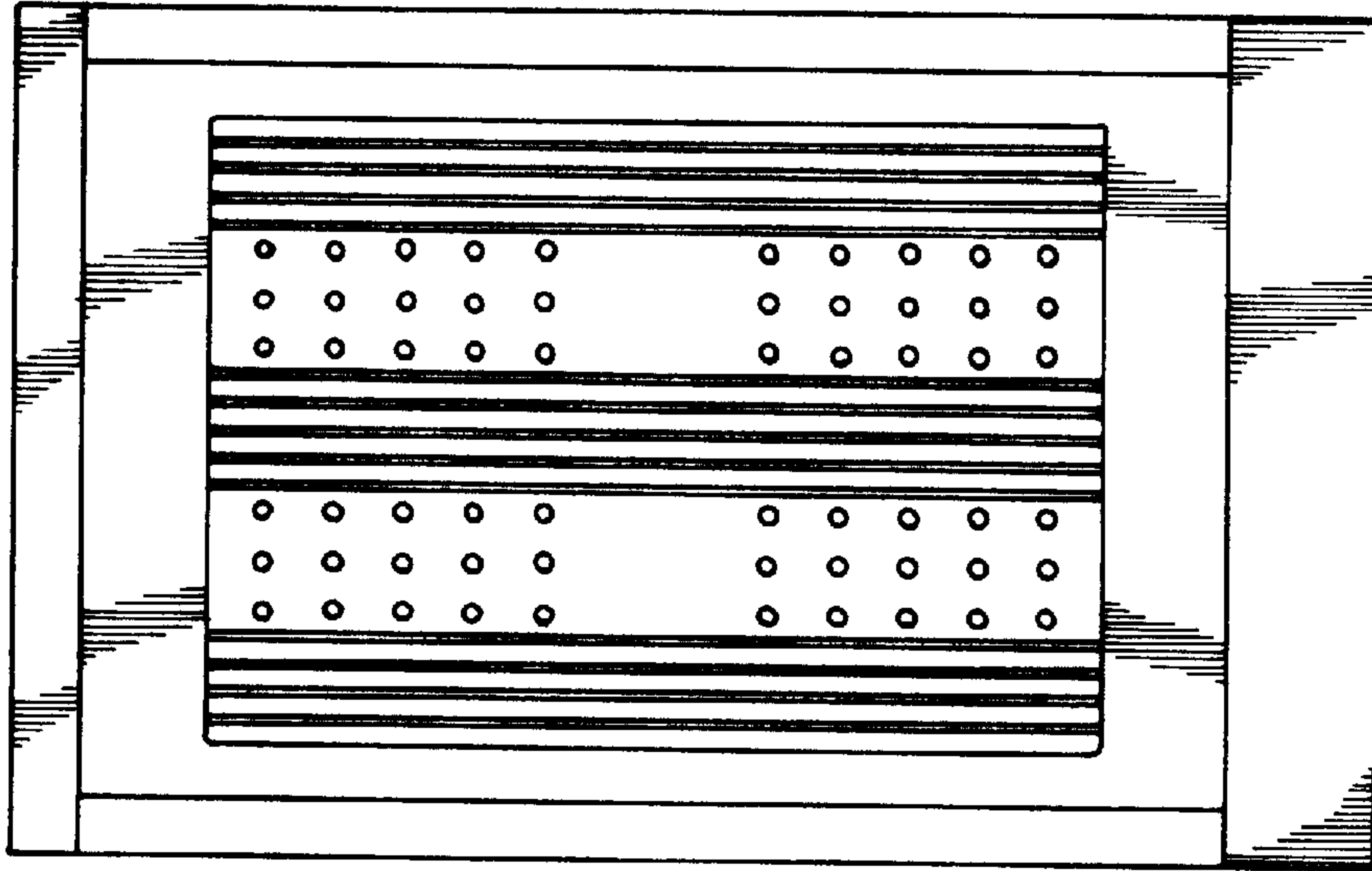


FIG. 7

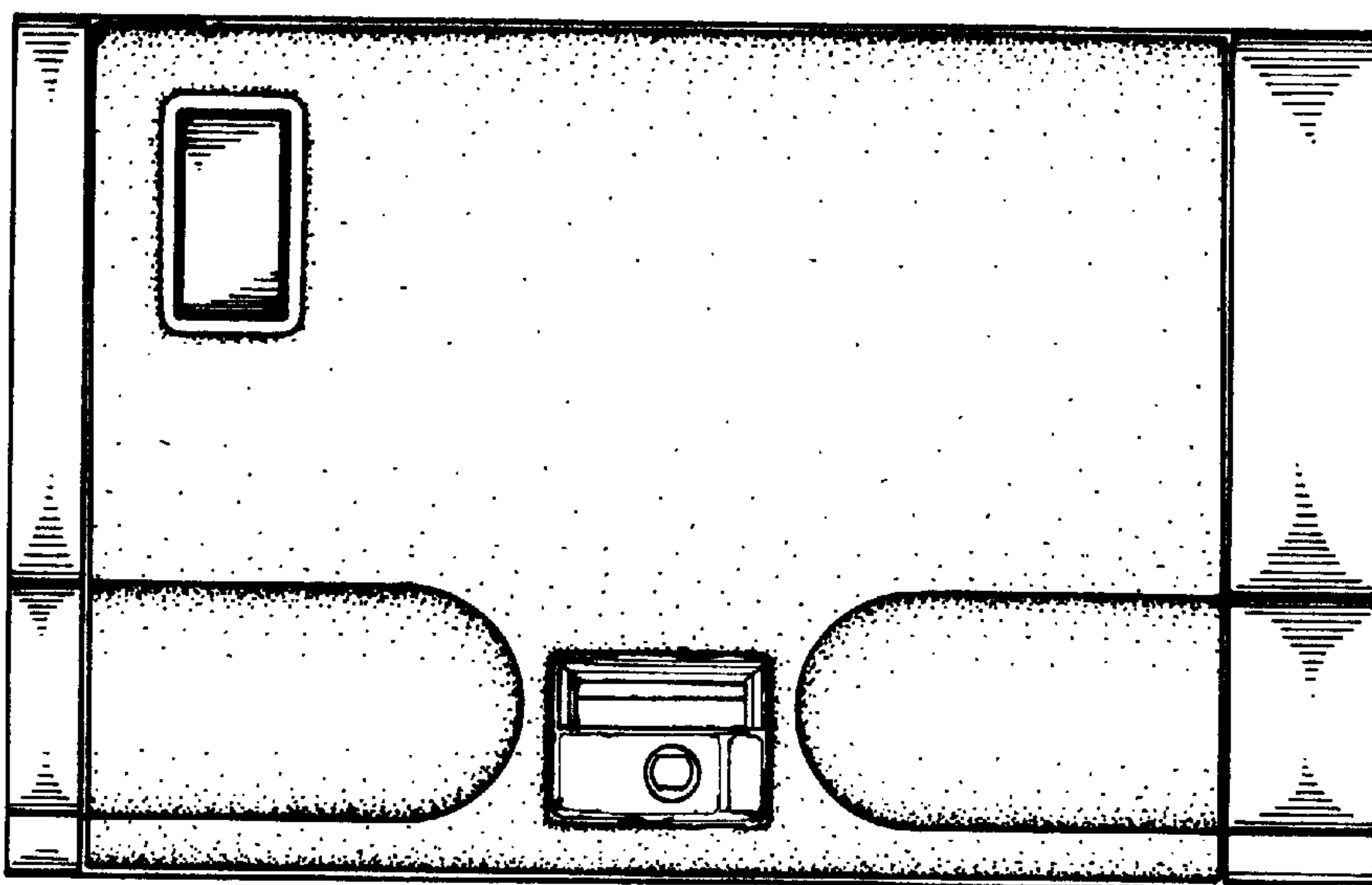


FIG. 4