



US00D464791S

(12) **United States Design Patent**
Lemoine

(10) **Patent No.:** **US D464,791 S**

(45) **Date of Patent:** **** Oct. 29, 2002**

(54) **CONTAINER FOR COTTON STICKS**

(75) Inventor: **Phillippe Lemoine**, Paris (FR)

(73) Assignee: **Lemoine S.A.**, Athis (FR)

(**) Term: **14 Years**

(21) Appl. No.: **29/128,483**

(22) Filed: **Aug. 25, 2000**

(51) **LOC (7) Cl.** **03-01**

(52) **U.S. Cl.** **D3/205**

(58) **Field of Search** D3/201, 205, 270,
D3/271, 294, 319, 901; D28/76; D19/77;
D34/1, 7, 8, 9, 10; D9/575; 206/6, 265,
268, 811

(56) **References Cited**

U.S. PATENT DOCUMENTS

348,924 A	*	9/1886	Munson	206/268
D178,251 S	*	7/1956	La Pan et al.	D34/8
D180,199 S	*	4/1957	Perreault	D34/8
2,992,766 A	*	7/1961	Guyer	206/268
D241,112 S	*	8/1976	Raftery	D34/8
D331,302 S	*	11/1992	Clapp et al.	D34/1 X

* cited by examiner

Primary Examiner—Louis S. Zarfaz

Assistant Examiner—Monica A. Weingart

(74) *Attorney, Agent, or Firm*—Gray Cary Ware & Freidenrich LLP

(57) **CLAIM**

I claim the ornamental design for a container for cotton sticks, as shown and described.

DESCRIPTION

FIG. 1 is a rear perspective view of the container for cotton sticks.

FIG. 2 is front perspective view of a container for cotton sticks embodying the design.

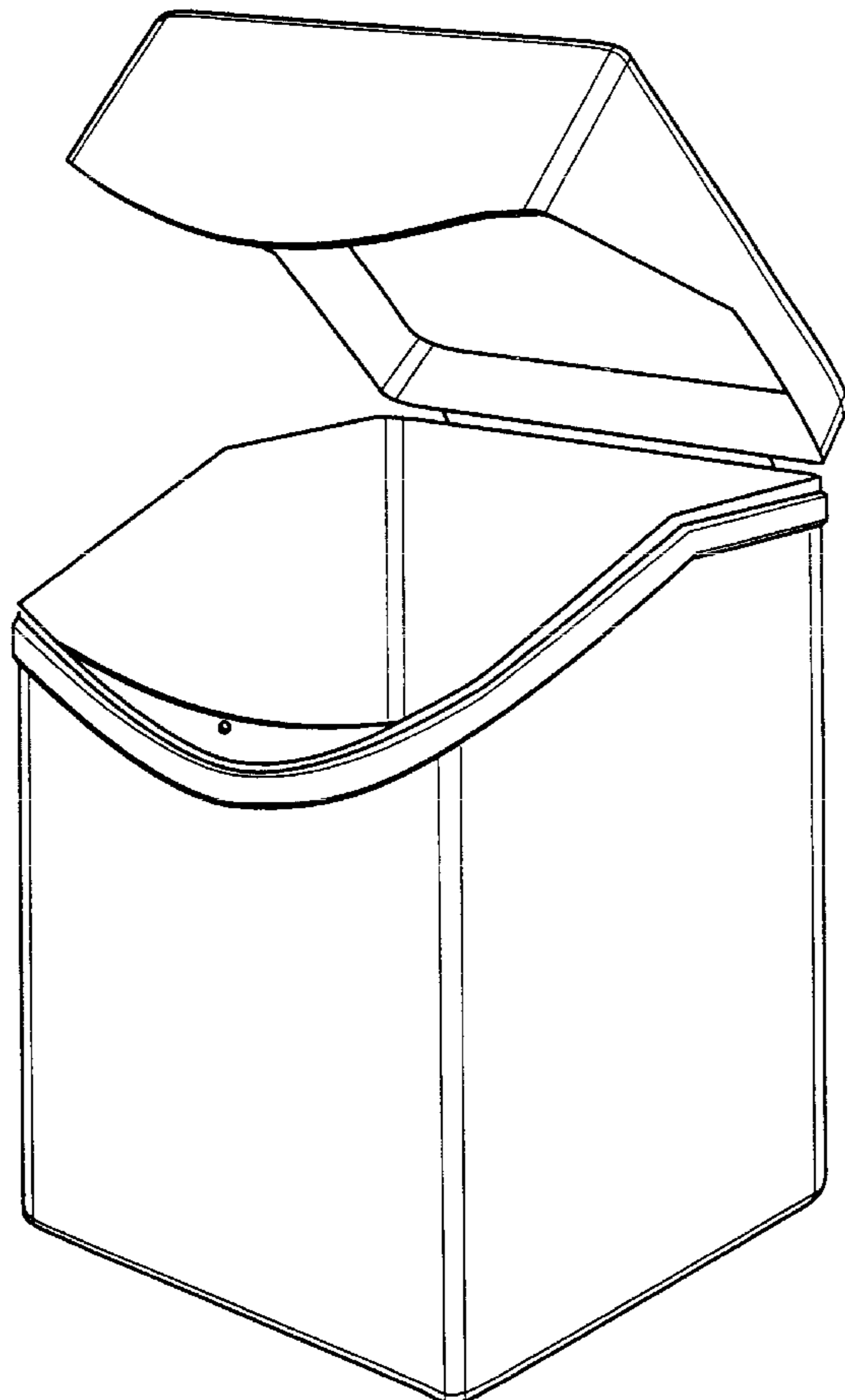
FIG. 3 is a plan view of the container for cotton sticks viewed from the top side of FIG. 1.

FIG. 4 is a plan view of the container for cotton sticks viewed from the front side of FIG. 1.

FIG. 5 is a left side view of the container for cotton sticks, the right side being a mirror image; and,

FIG. 6 is a plan view of the container for cotton sticks viewed from the rear side of FIG. 1.

1 Claim, 3 Drawing Sheets



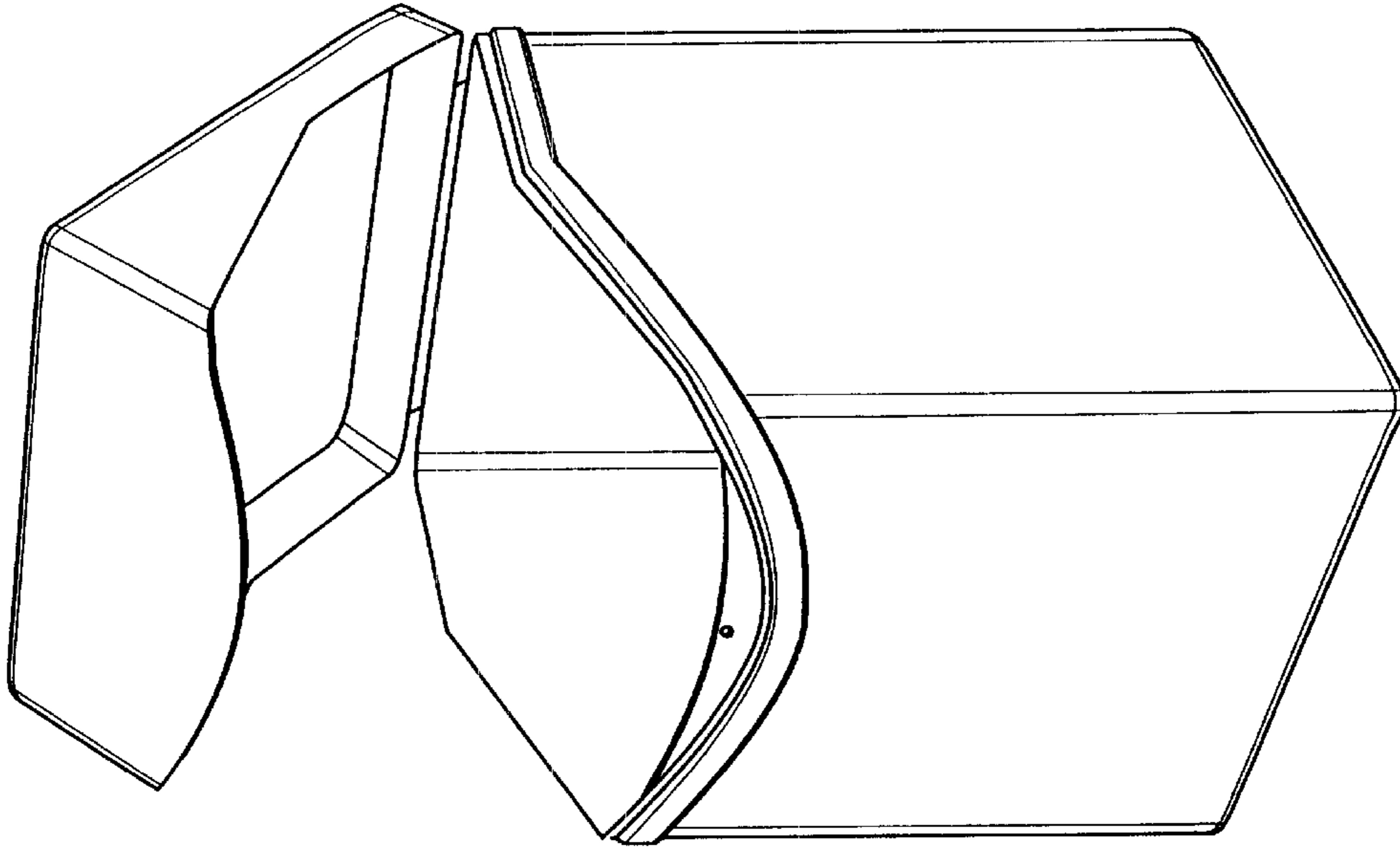


FIG. 2

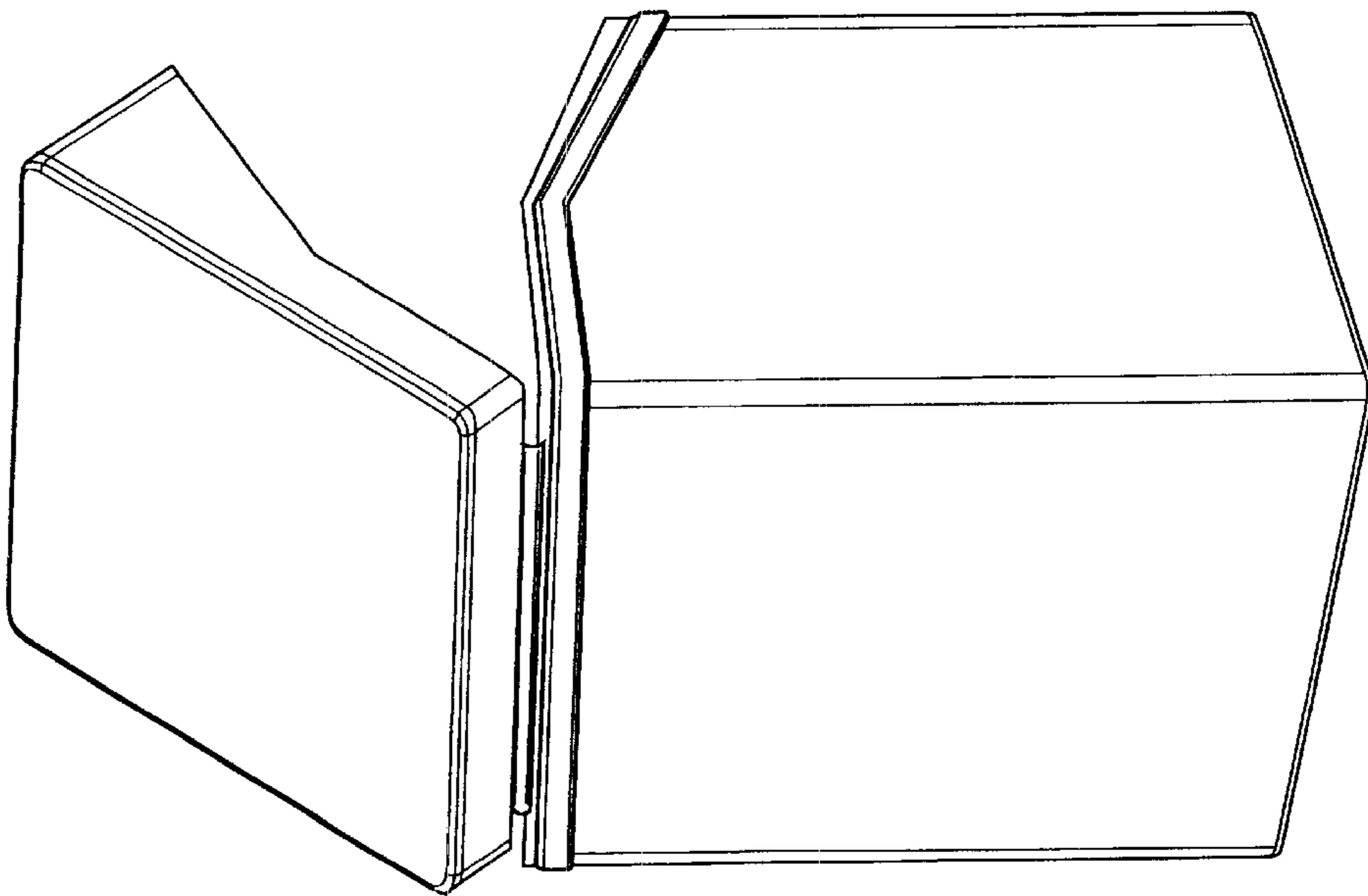


FIG. 1

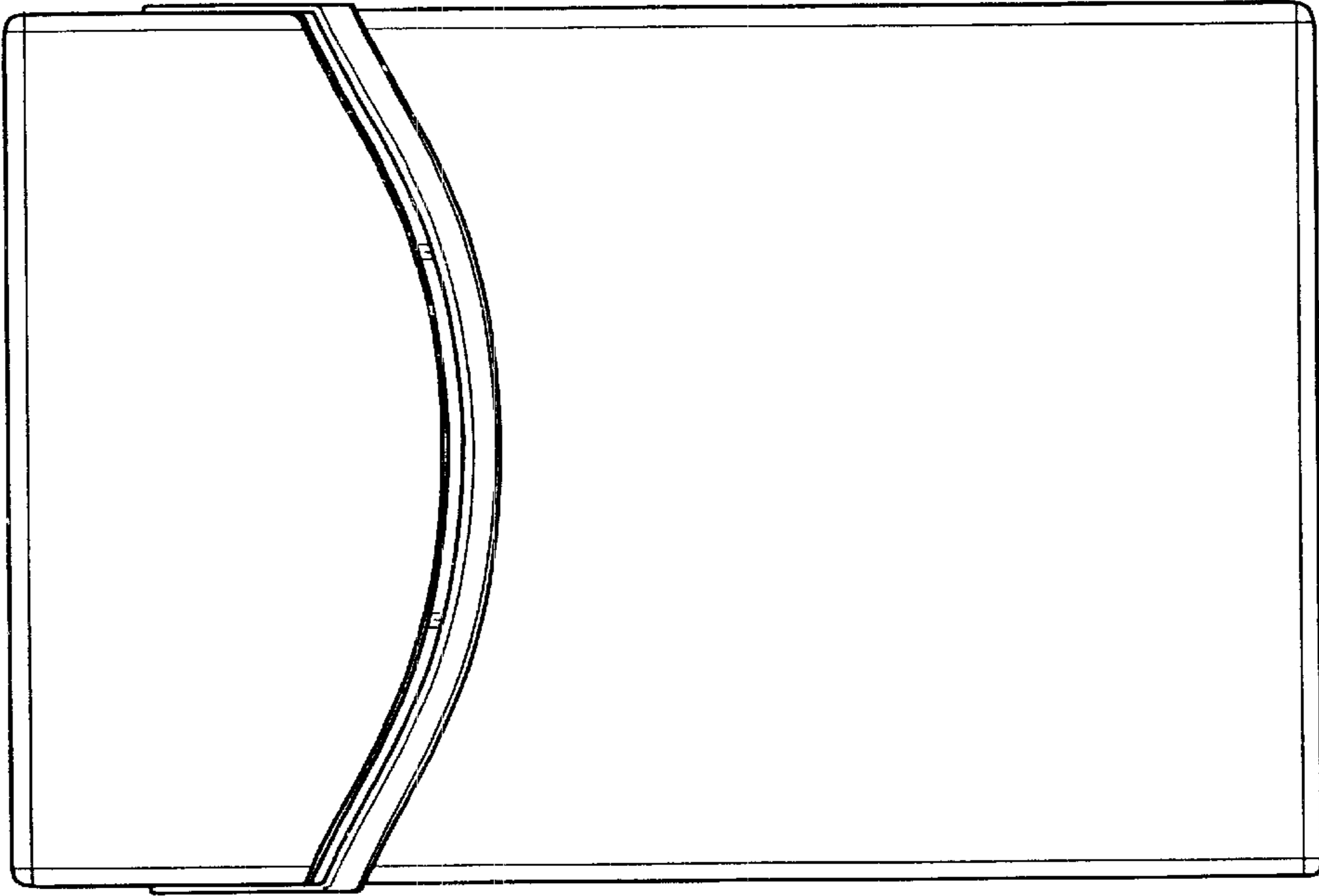


FIG. 4

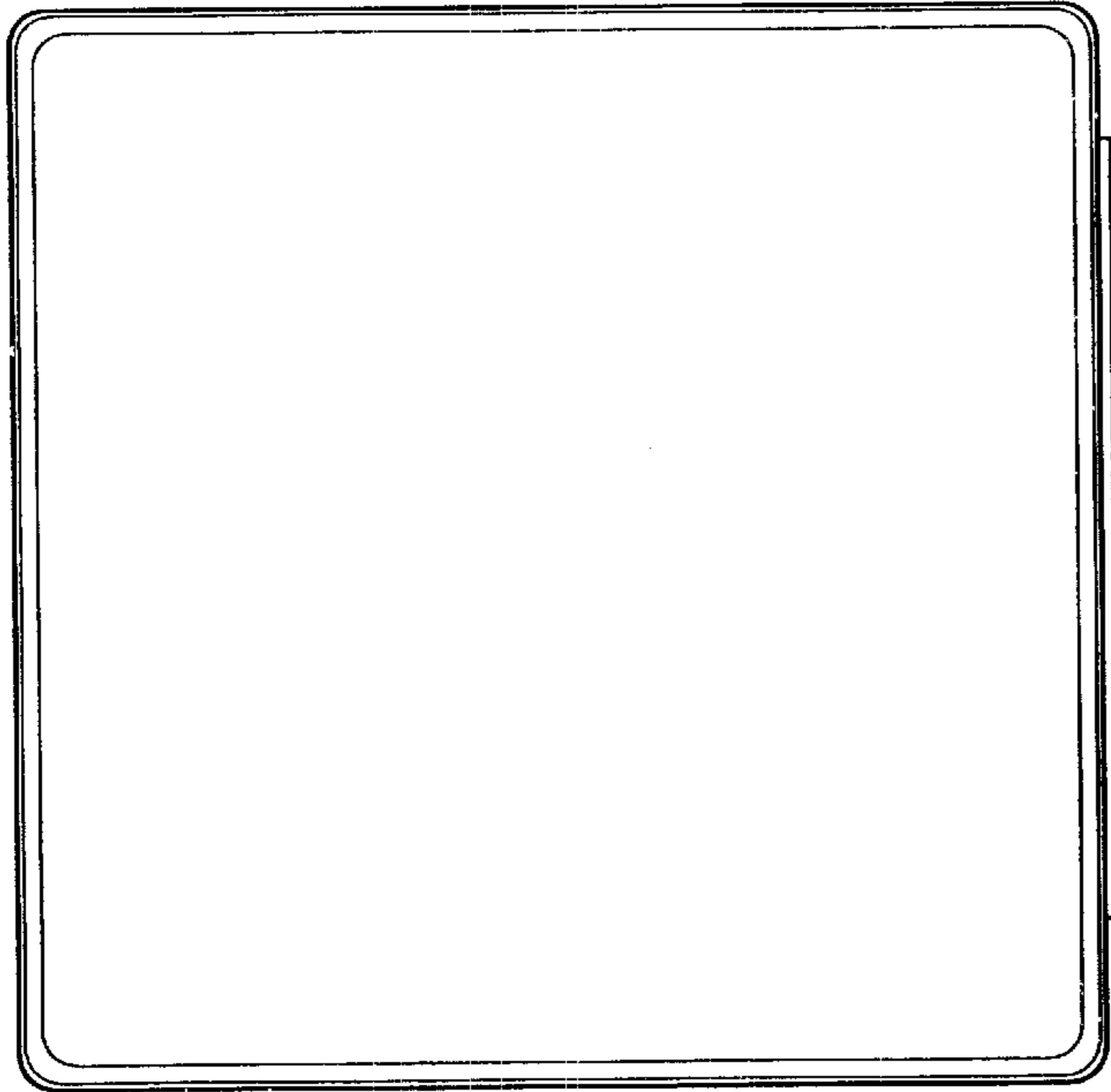


FIG. 3

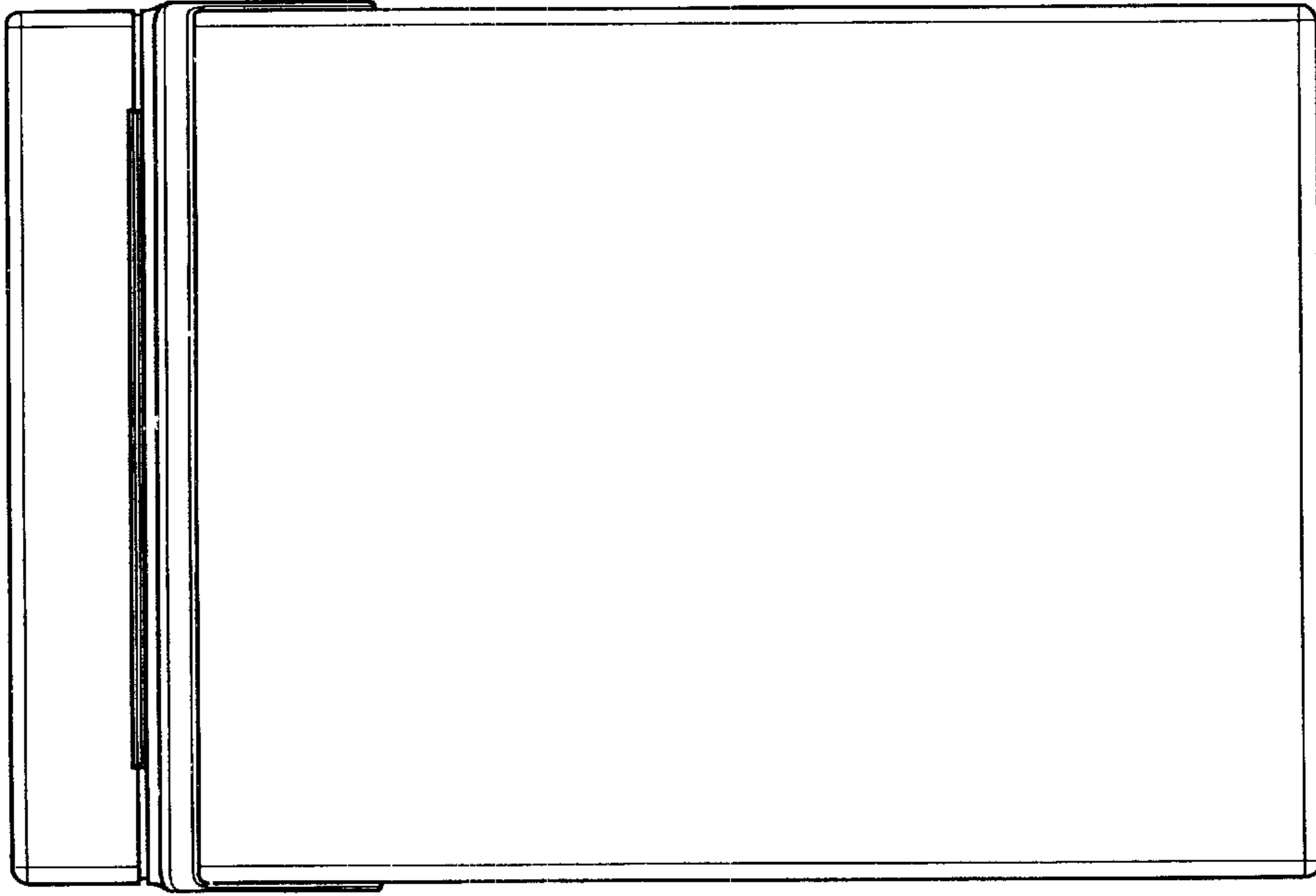


FIG. 6

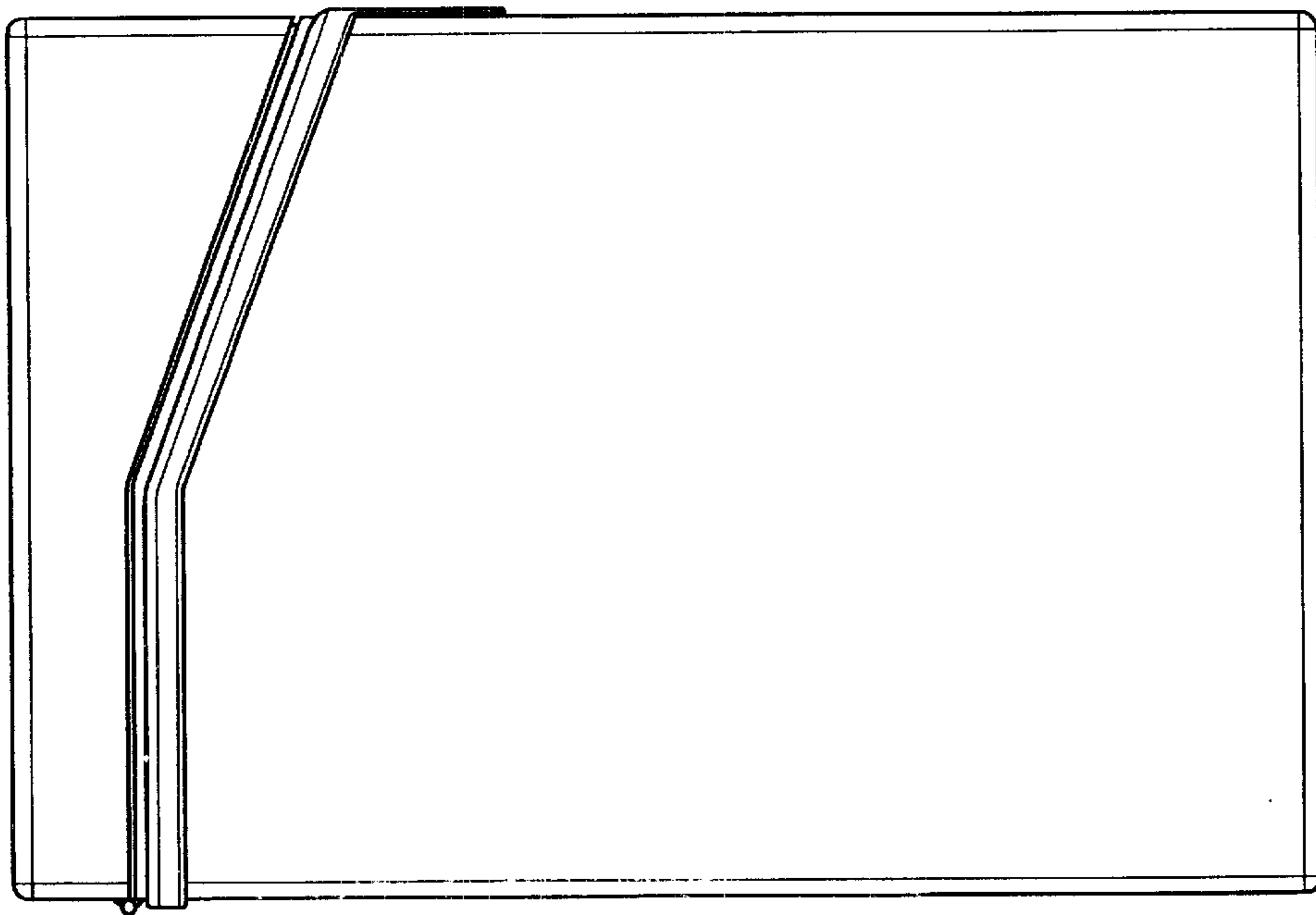


FIG. 5