



US00D464787S

(12) **United States Design Patent**
Stanton

(10) **Patent No.:** **US D464,787 S**

(45) **Date of Patent:** **** Oct. 29, 2002**

(54) **CANDY**

(75) Inventor: **Kevin J. Stanton**, Califon, NJ (US)

(73) Assignee: **Mars Incorporated**, McLean, VA (US)

(**) Term: **14 Years**

(21) Appl. No.: **29/148,603**

(22) Filed: **Sep. 25, 2001**

(51) **LOC (7) Cl.** **01-01**

(52) **U.S. Cl.** **D1/127**

(58) **Field of Search** D1/100-130, 199;
426/91, 100-104, 134, 383, 660

(56) **References Cited**

U.S. PATENT DOCUMENTS

D127,460 S	*	5/1941	Thomas	D1/127
D294,190 S	*	2/1988	Aquarius	D1/102
D396,537 S	*	8/1998	Stanton	D1/127

OTHER PUBLICATIONS

Lollipop illustration from Brochure of Aquarius B.V., 6000 AG Weert, The Netherlands (date unknown).

Copy of photo of Suck An Egg® available from Spangler Candy Co., Bryan, Ohio (date unknown).

* cited by examiner

Primary Examiner—Alan P. Douglas

Assistant Examiner—Linda Brooks

(74) *Attorney, Agent, or Firm*—Fitzpatrick, Cella, Harper & Scinto

(57) **CLAIM**

The ornamental design for a candy, as shown and described.

DESCRIPTION

FIG. 1 is a front side view of the candy, which is the same as the back side view.

FIG. 2 is a right side view of the candy, which is the same as the left side view.

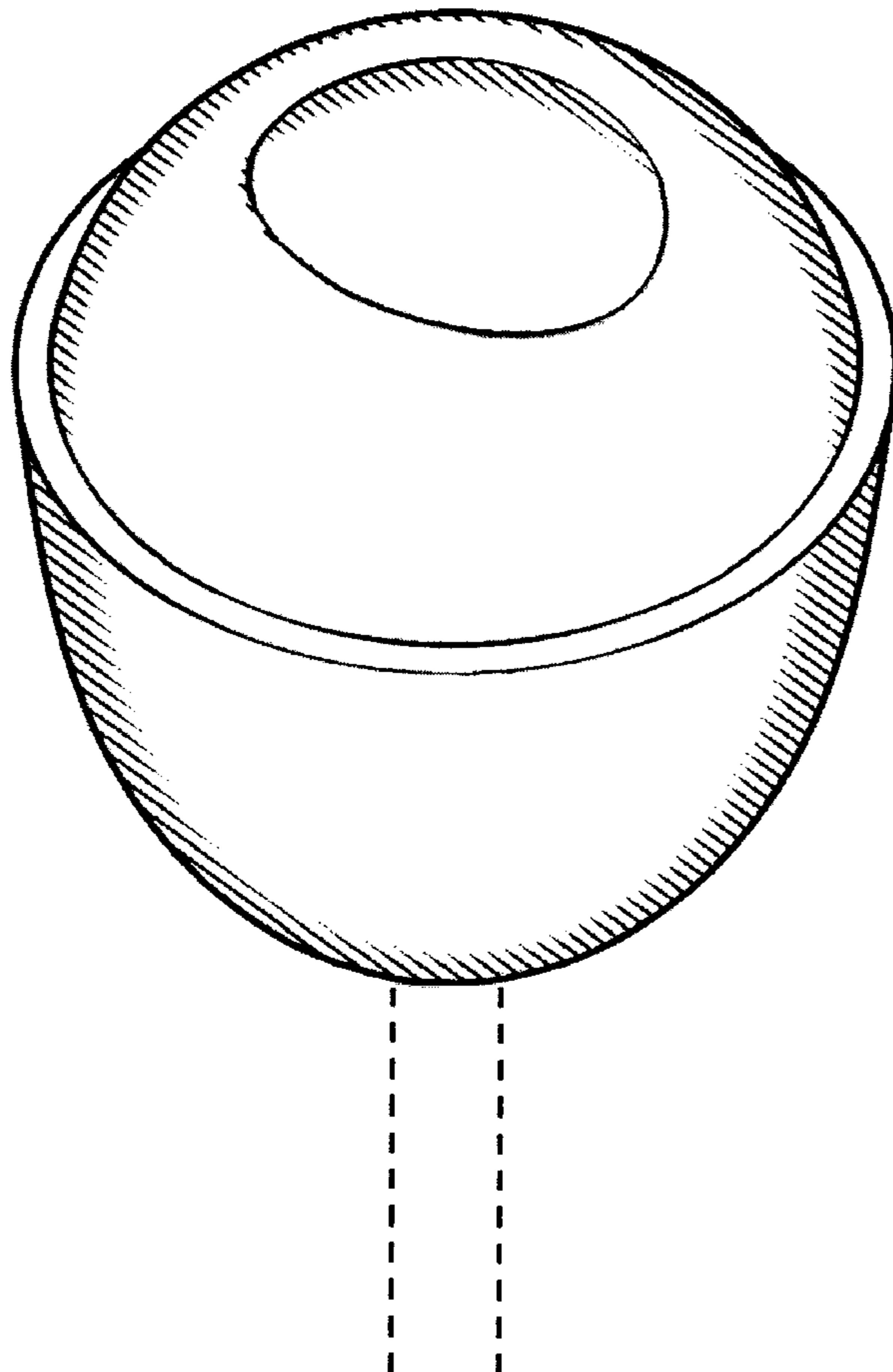
FIG. 3 is a perspective view from above and one side of the candy.

FIG. 4 is a top view of the candy; and,

FIG. 5 is a bottom view of the candy.

The broken lines shown in FIGS. 1-3 and 5 are for illustrative purposes, i.e., when the candy is presented as a lollipop with a stick, and form no part of the claimed design.

1 Claim, 5 Drawing Sheets



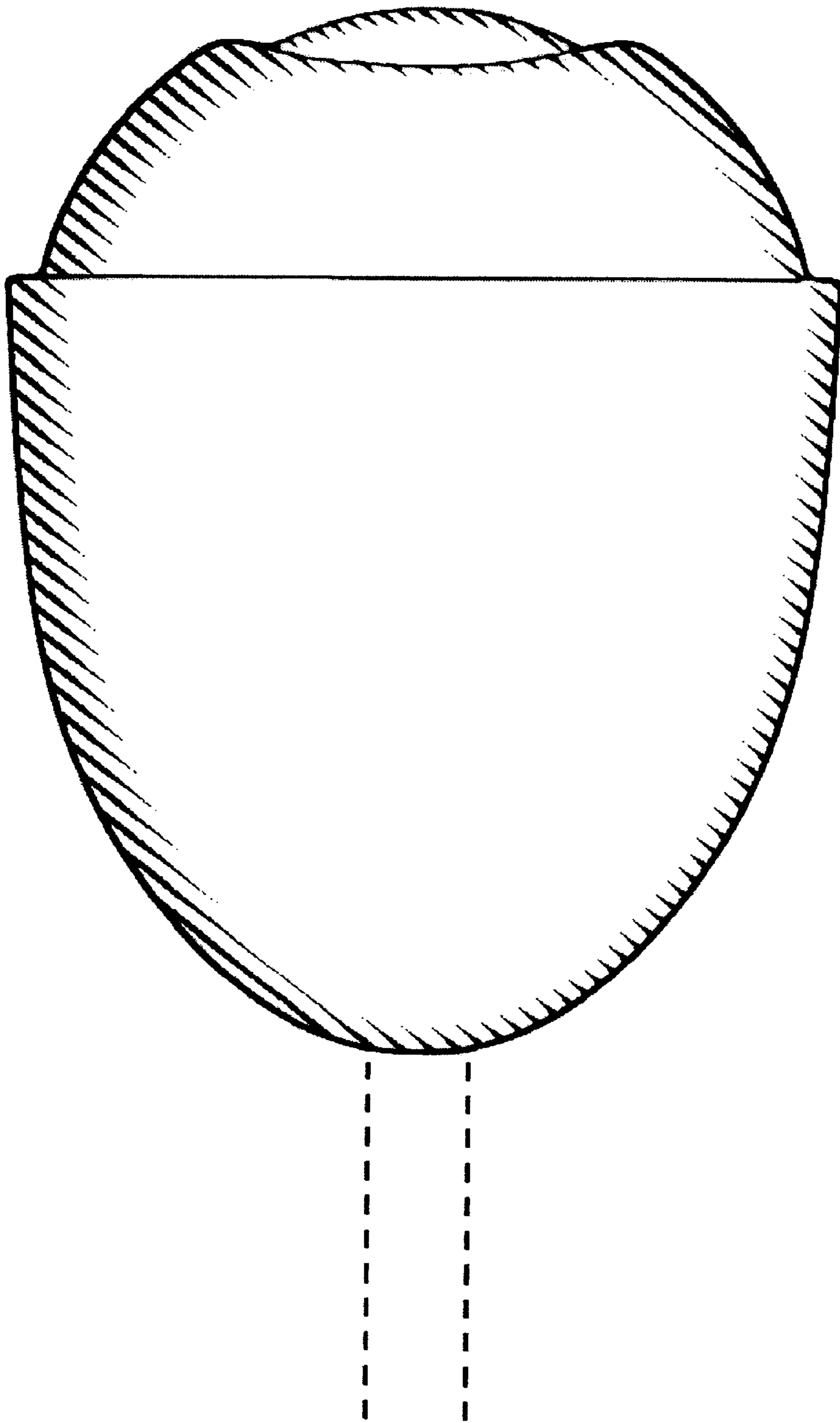


FIG. 1

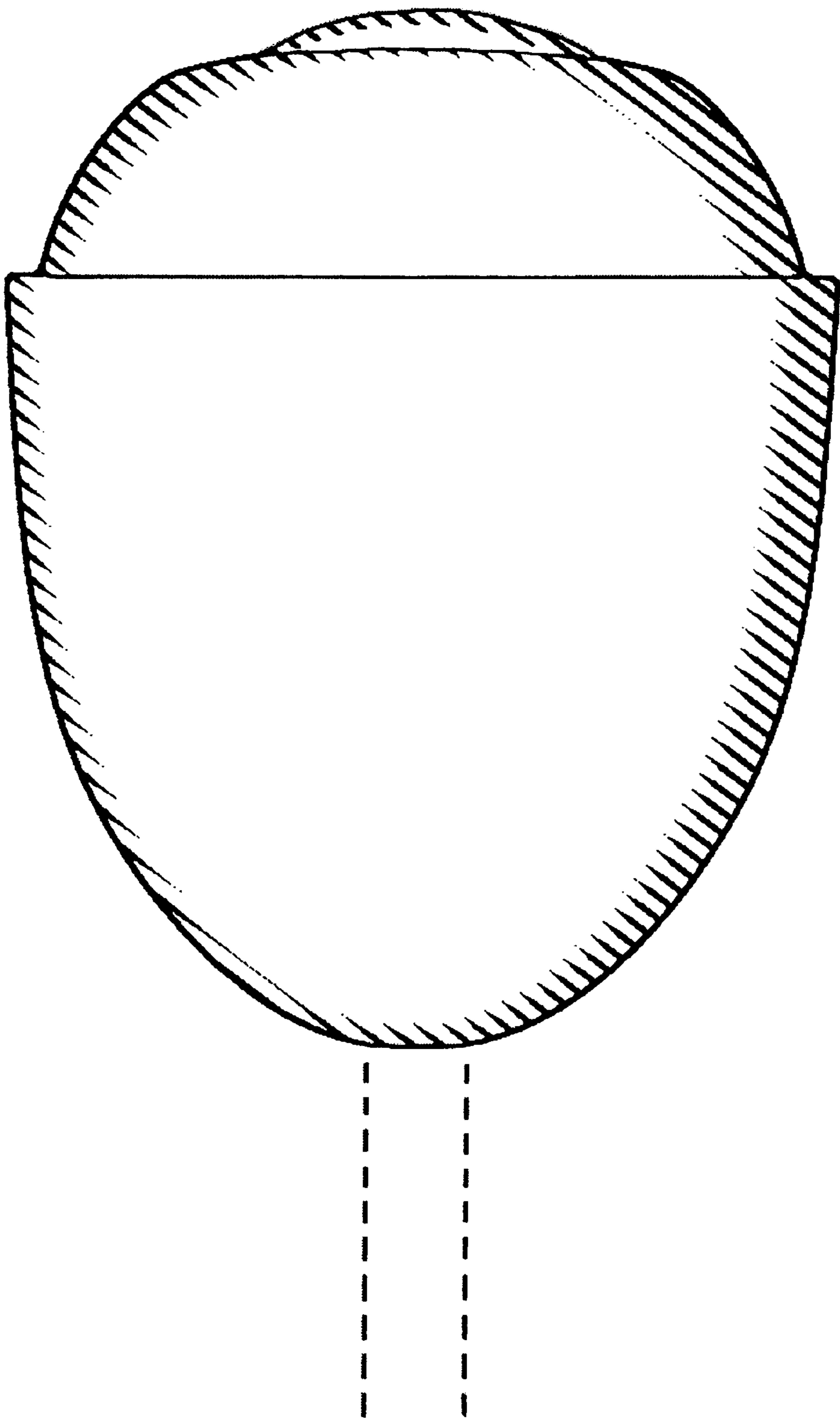


FIG. 2

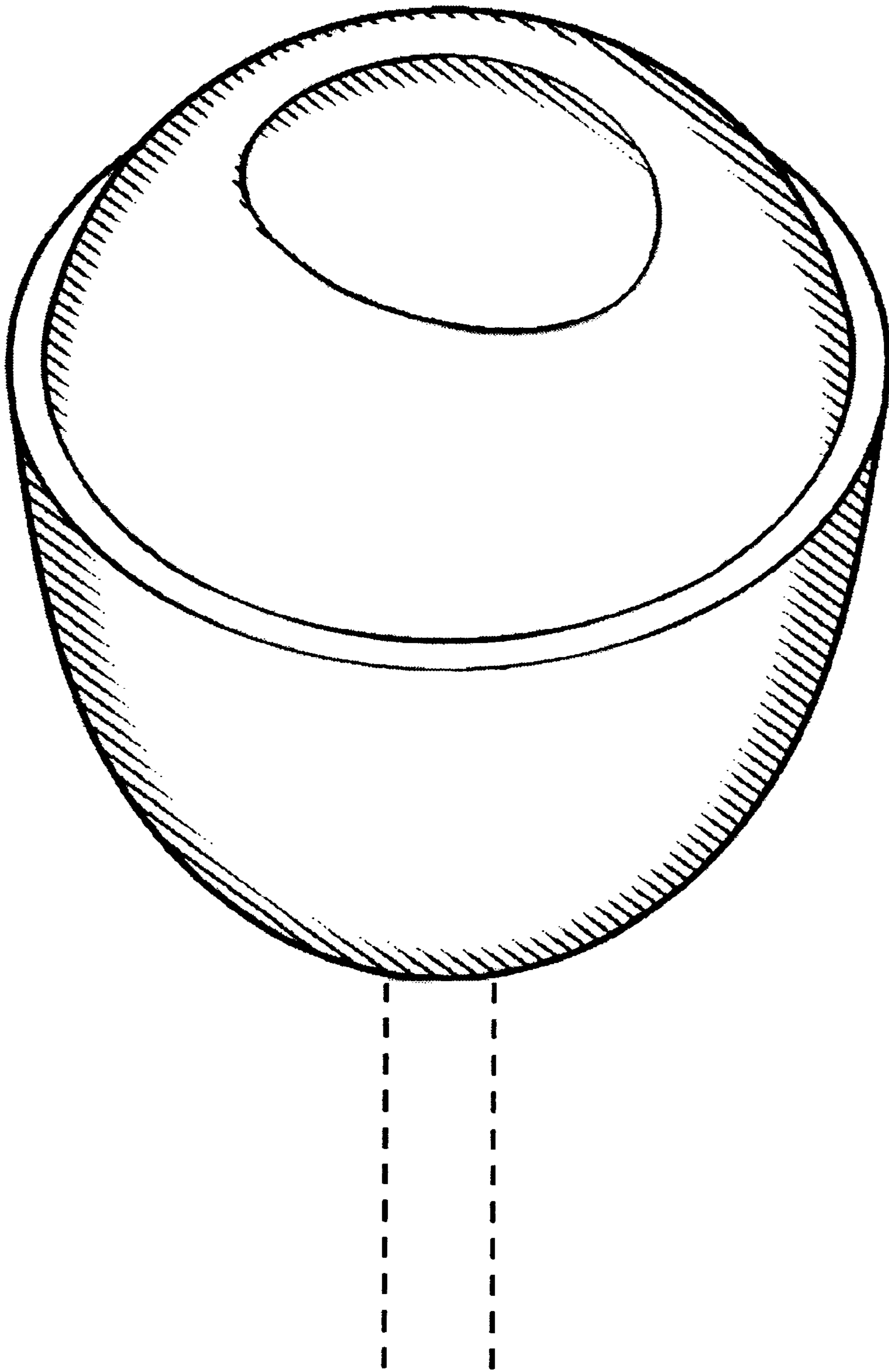


FIG. 3

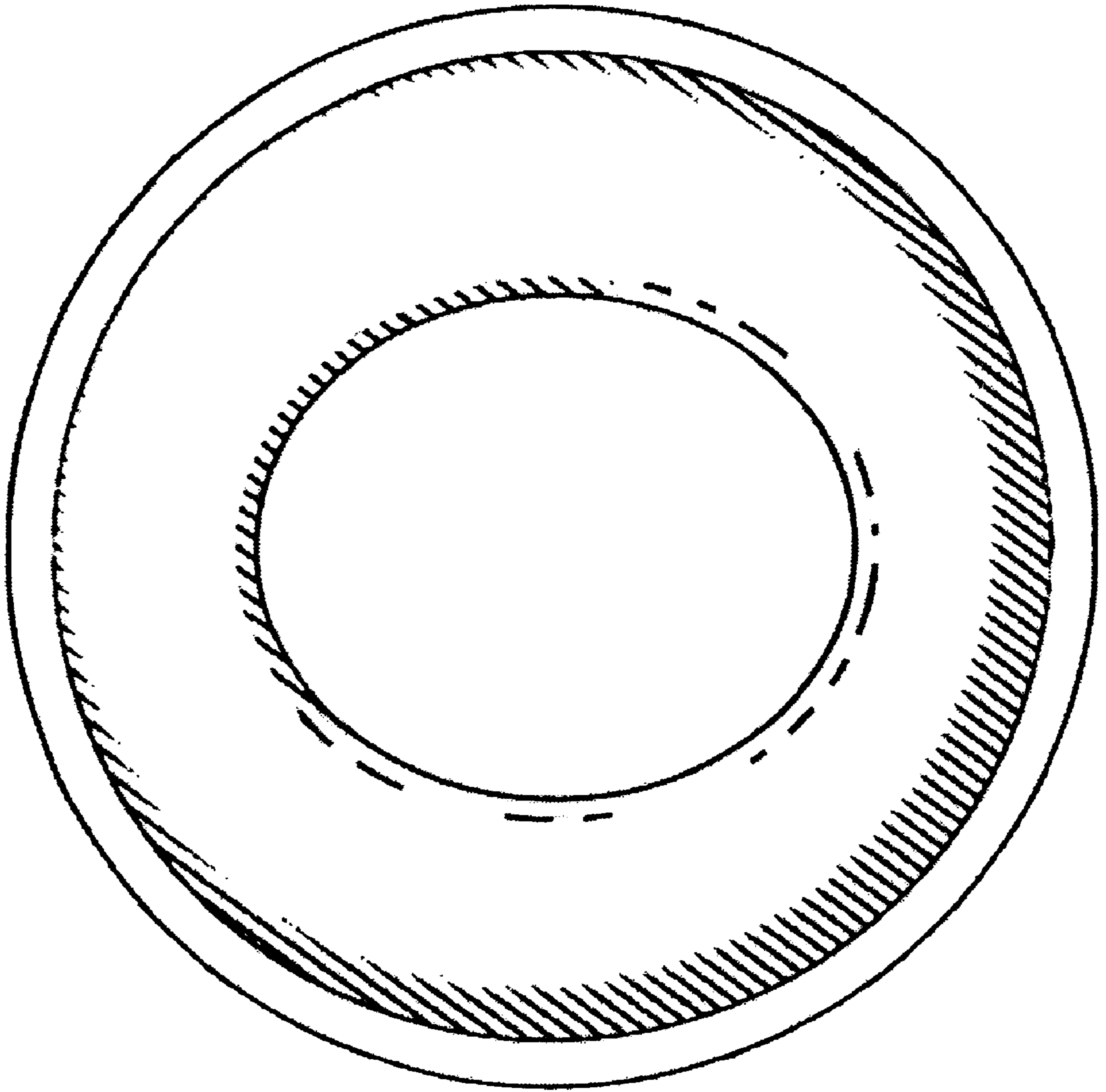


FIG. 4

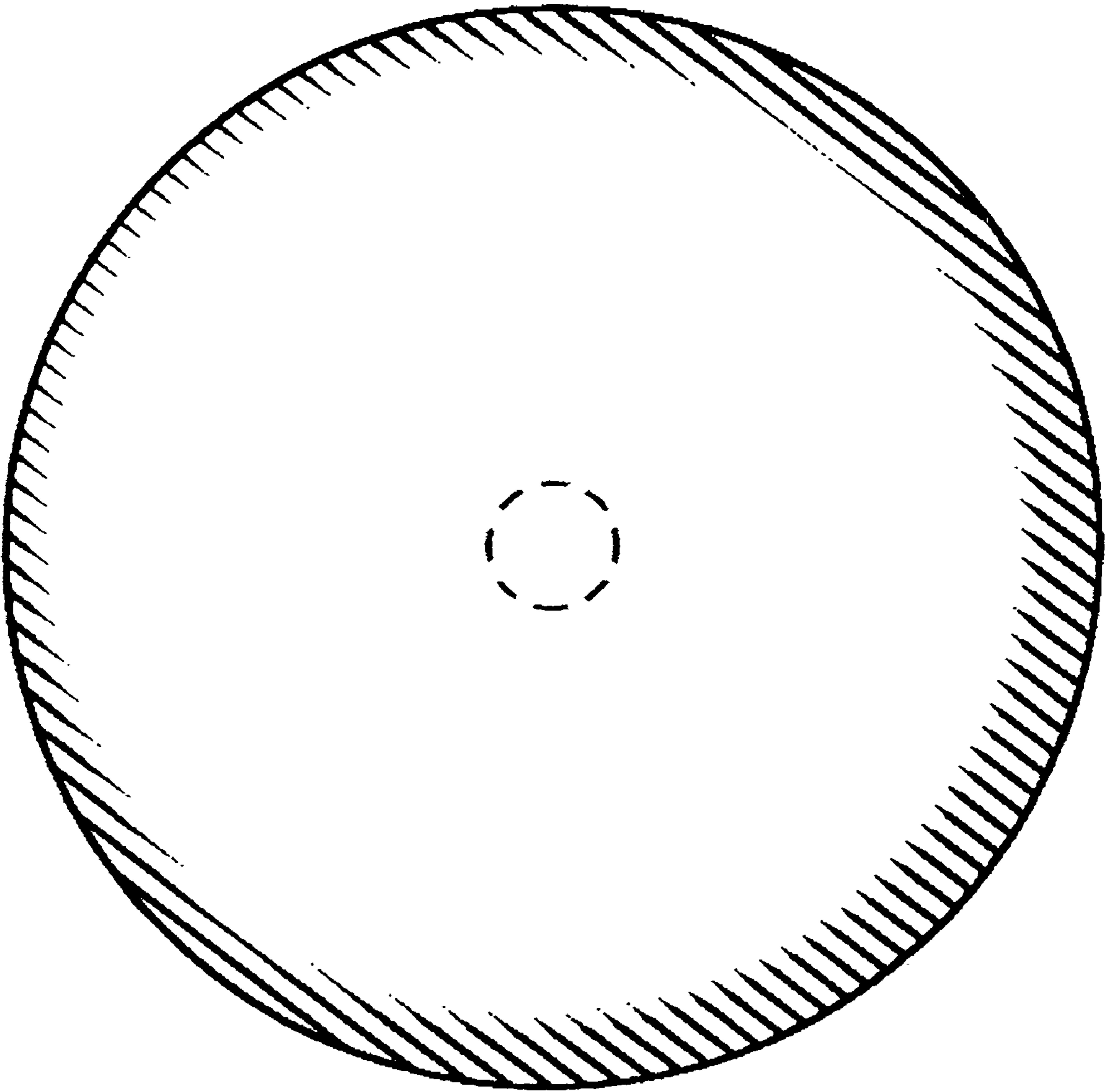


FIG. 5