



US00D464785S

(12) **United States Design Patent**
Gallagher

(10) **Patent No.:** **US D464,785 S**

(45) **Date of Patent:** **** Oct. 22, 2002**

(54) **SET OF FORKS WITH MARKINGS FOR A LOW-LIFT PALLET TRUCK**

(75) **Inventor:** **Michael P. Gallagher**, Greenville, OH (US)

(73) **Assignee:** **Crown Equipment Corporation**, New Bremen, OH (US)

(**) **Term:** **14 Years**

(21) **Appl. No.:** **29/135,611**

(22) **Filed:** **Jan. 16, 2001**

(51) **LOC (7) Cl.** **12-05**

(52) **U.S. Cl.** **D34/35; D34/34**

(58) **Field of Search** D34/28, 31, 34, D34/35; 254/2 B, 93 R, 2 R; 187/238, 233, 222; 280/43.12, 43.23, 756, 727; 180/89.12, 89.13; 414/512, 592, 631

(56) **References Cited**

U.S. PATENT DOCUMENTS

3,758,075 A * 9/1973 Briggs 254/2 R
D239,165 S * 3/1976 Mono D34/34

4,043,472 A * 8/1977 Hoyt 187/238
4,444,284 A * 4/1984 Montemurro 180/89.12
D348,759 S * 7/1994 Bhambra D34/34
D376,036 S * 11/1996 Lanigan, Sr. et al. D34/35
D401,032 S * 11/1998 Marcel D34/35
D401,716 S * 11/1998 Marcel D34/34
5,964,313 A * 10/1999 Guy 180/89.13
D419,741 S * 1/2000 Johansson D34/28

* cited by examiner

Primary Examiner—Cynthia E. Ramirez

(74) *Attorney, Agent, or Firm*—Stevens & Showalter LLP

(57) **CLAIM**

The ornamental design for a set of forks with markings for a low-lift pallet truck, as shown and described.

DESCRIPTION

FIG. 1 is a perspective view of a set of forks with markings for a low-lift pallet truck showing my new design; and, FIG. 2 is a top view of the forks of FIG. 1.

The broken line showing in FIGS. 1 and 2 is for illustrative purposes only and forms no part of the claimed design.

1 Claim, 1 Drawing Sheet

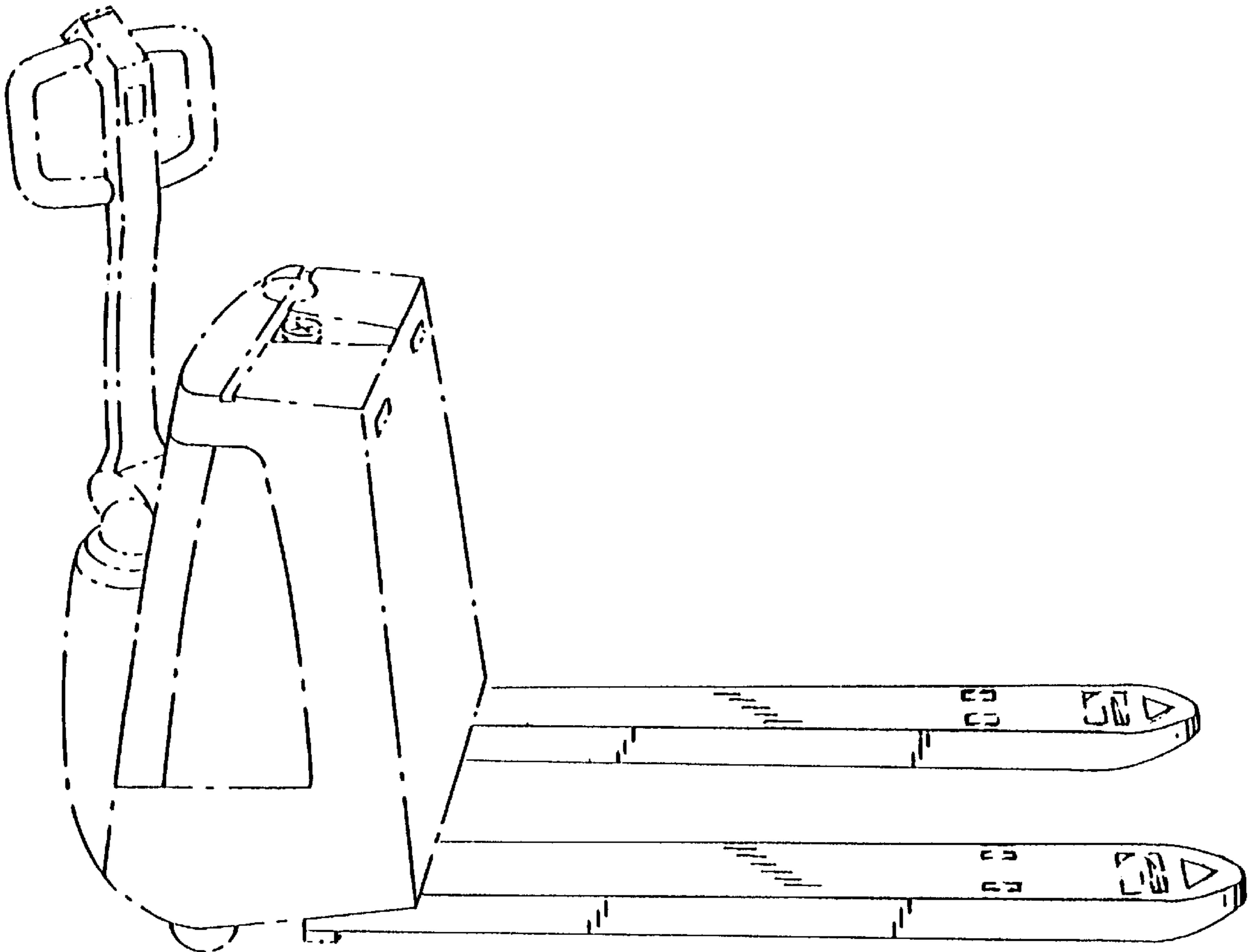


FIG. 1

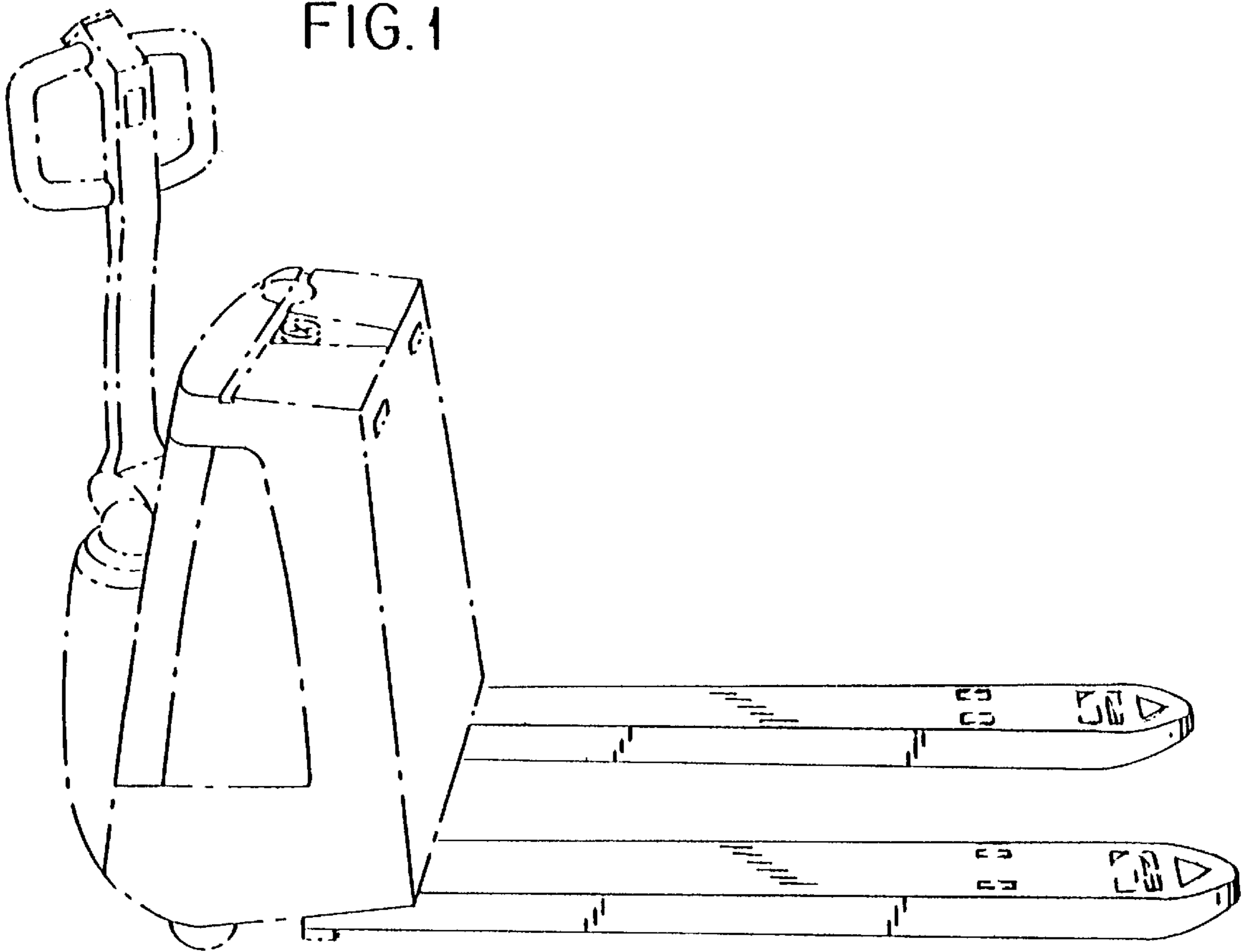


FIG. 2

