



US00D464784S

(12) **United States Design Patent**
Sato

(10) **Patent No.:** **US D464,784 S**

(45) **Date of Patent:** **** Oct. 22, 2002**

(54) **SEAT STAND FOR INDUSTRIAL VEHICLE**

JP 1053353 11/1999

JP 1053353-1 11/1999

JP 1053353-6 11/1999

(75) Inventor: **Yoshitaka Sato, Kariya (JP)**

(73) Assignee: **Kabushiki Kaisha Toyoda Jidoshokki Seisakusho, Kariya (JP)**

* cited by examiner

Primary Examiner—Cynthia E. Ramirez

(**) Term: **14 Years**

(74) *Attorney, Agent, or Firm*—Morgan & Finnegan, LLP

(21) Appl. No.: **29/118,374**

(22) Filed: **Feb. 7, 2000**

(57) **CLAIM**

The ornamental design for a seat stand for industrial vehicle, as shown and described.

(30) **Foreign Application Priority Data**

Aug. 7, 1999 (JP) 11-21121

DESCRIPTION

(51) **LOC (7) Cl.** **12-05**

(52) **U.S. Cl.** **D34/35; D34/34**

(58) **Field of Search** D34/28, 34, 35,
D34/37; 414/685, 465; 187/202; 180/89.12,
89.14, 89.17

FIG. 1 is a front elevational view showing a seat stand for an industrial vehicle;

FIG. 2 is a rear elevational view of the seat stand of FIG. 1;

FIG. 3 is a top plan view showing the seat stand of FIG. 1;

FIG. 4 is a right side elevational view showing the seat stand of FIG. 1;

FIG. 5 is a left side elevational view showing the seat stand of FIG. 1;

FIG. 6 is a front upper perspective view showing the seat stand of FIG. 1; and,

FIG. 7 is a rear upper perspective view showing the seat stand of FIG. 1.

The broken lines in FIGS. 1 to 7 are shown for illustrative purposes only and form no part of the claimed design.

(56) **References Cited**

U.S. PATENT DOCUMENTS

D393,516 S * 4/1998 Hahn et al. D34/34

D396,928 S * 8/1998 Hahn et al. D34/34

FOREIGN PATENT DOCUMENTS

JP 48-3788 1/1973

1 Claim, 6 Drawing Sheets

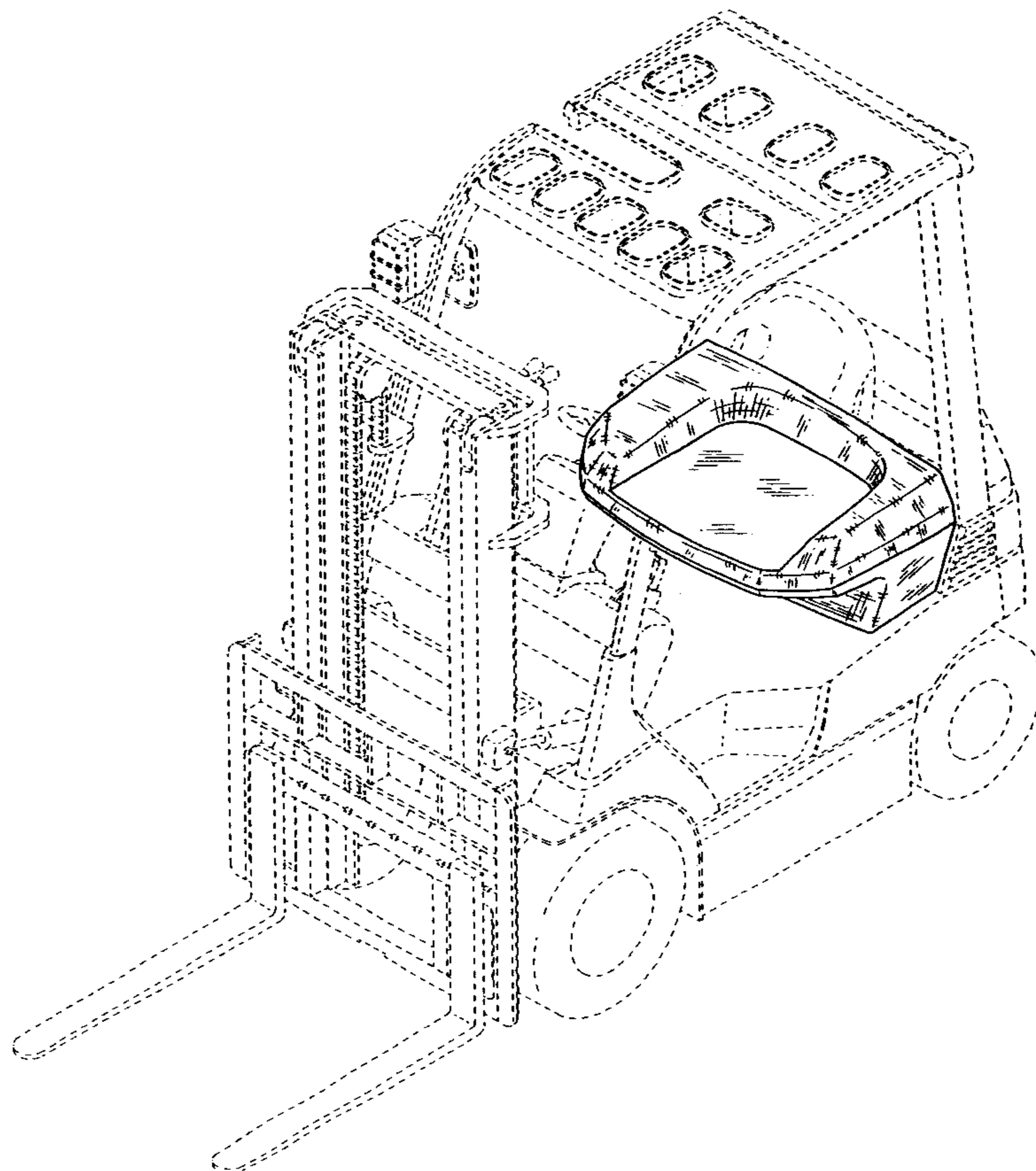


Fig. 2

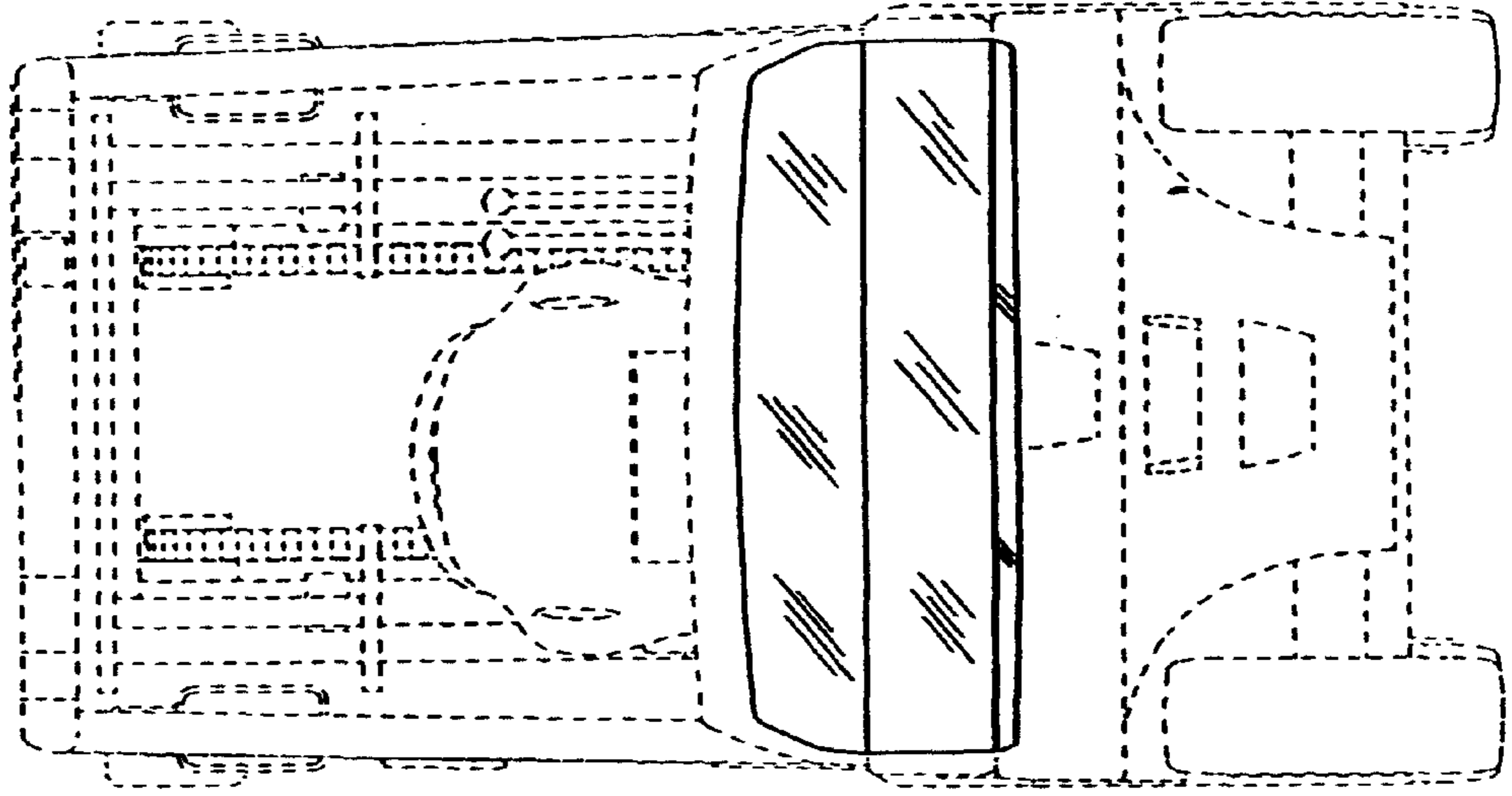


Fig. 1

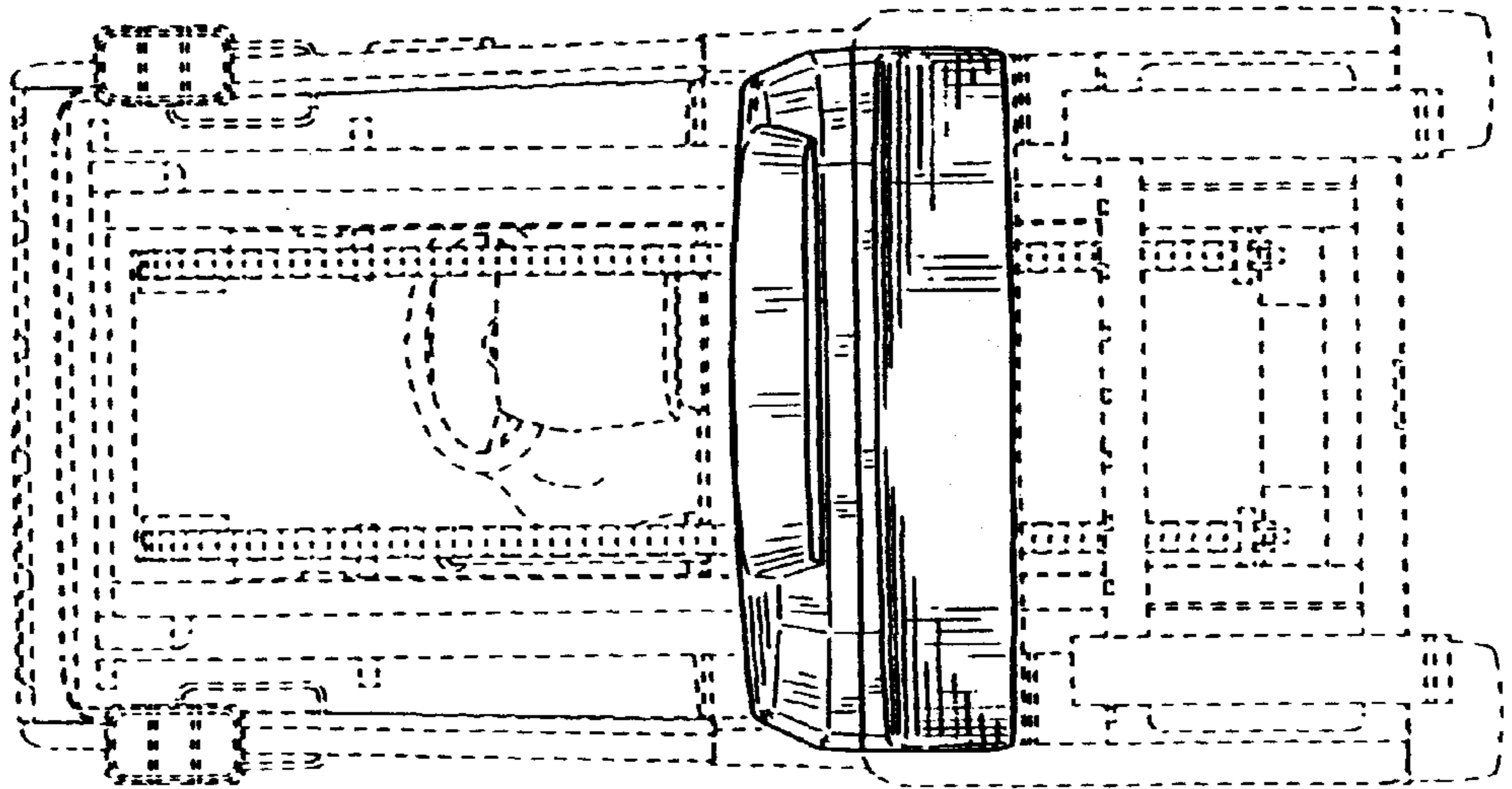


Fig. 3

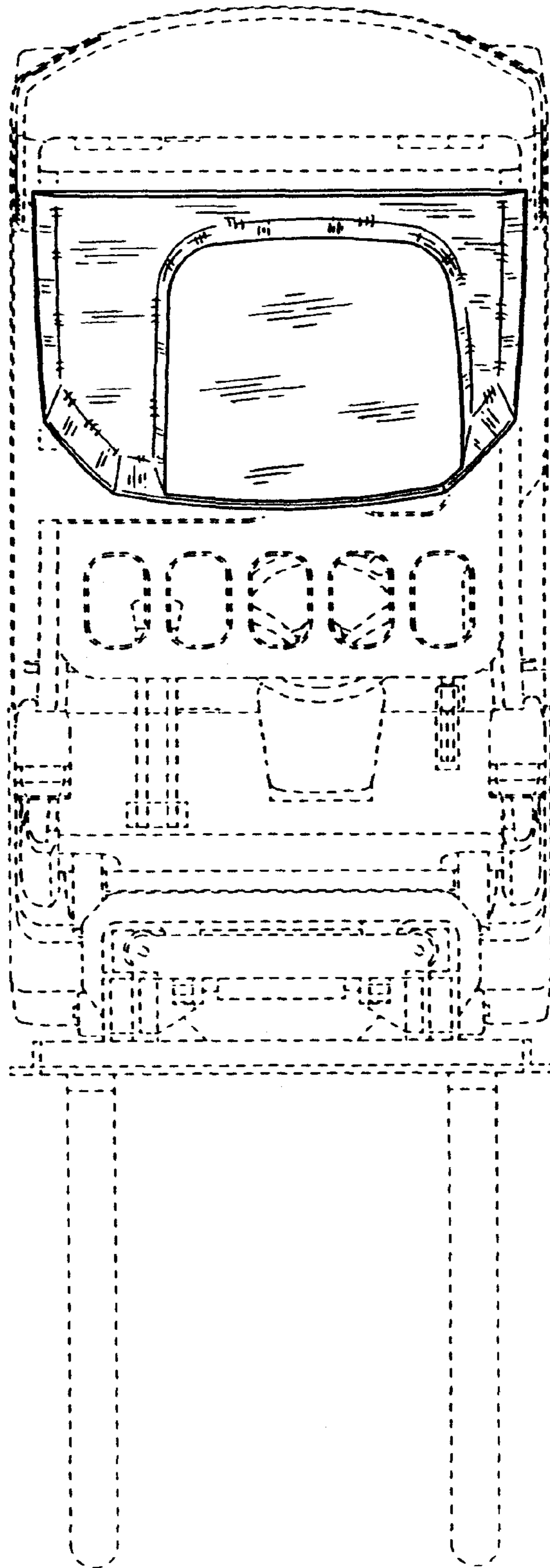


Fig. 4

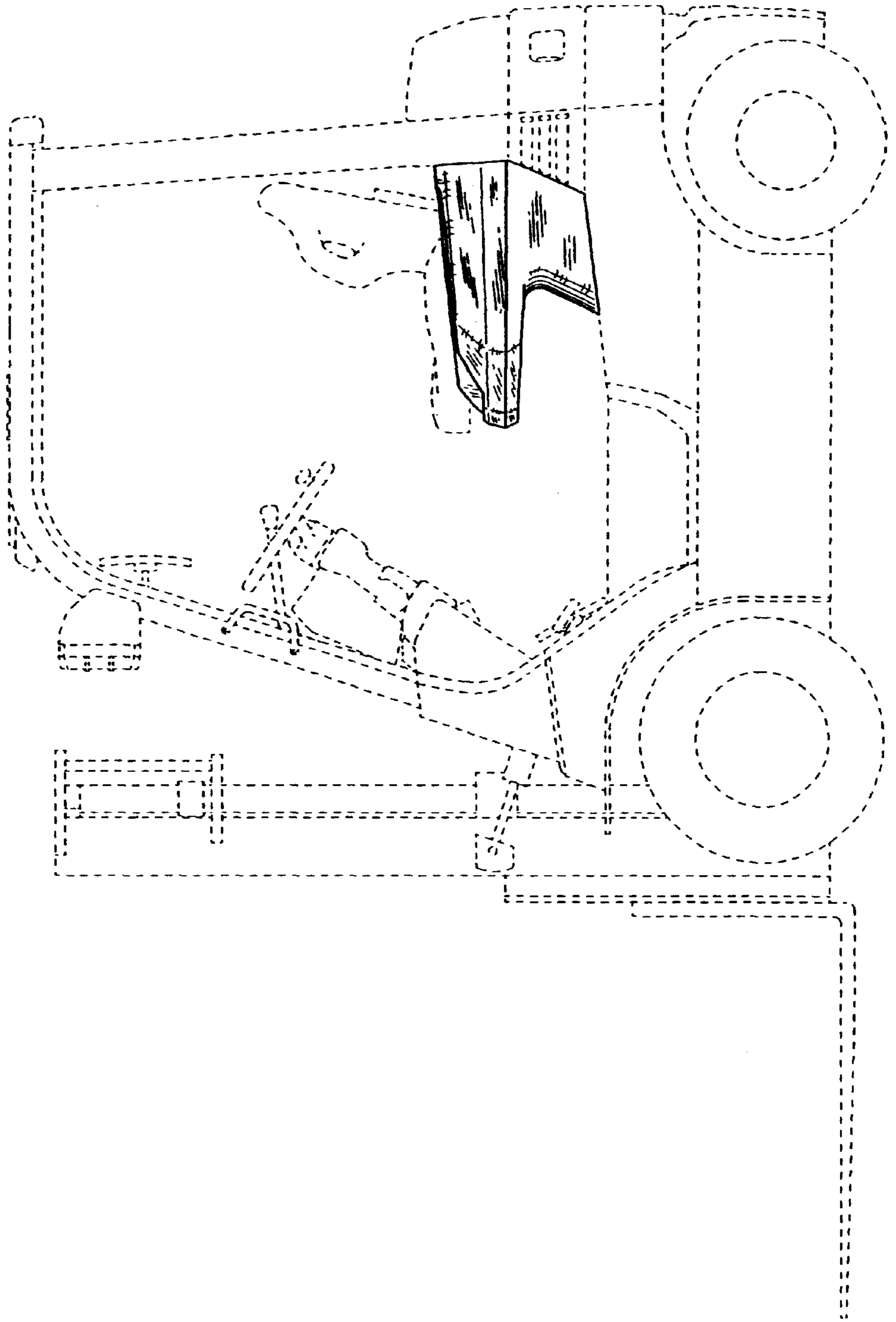


Fig. 5

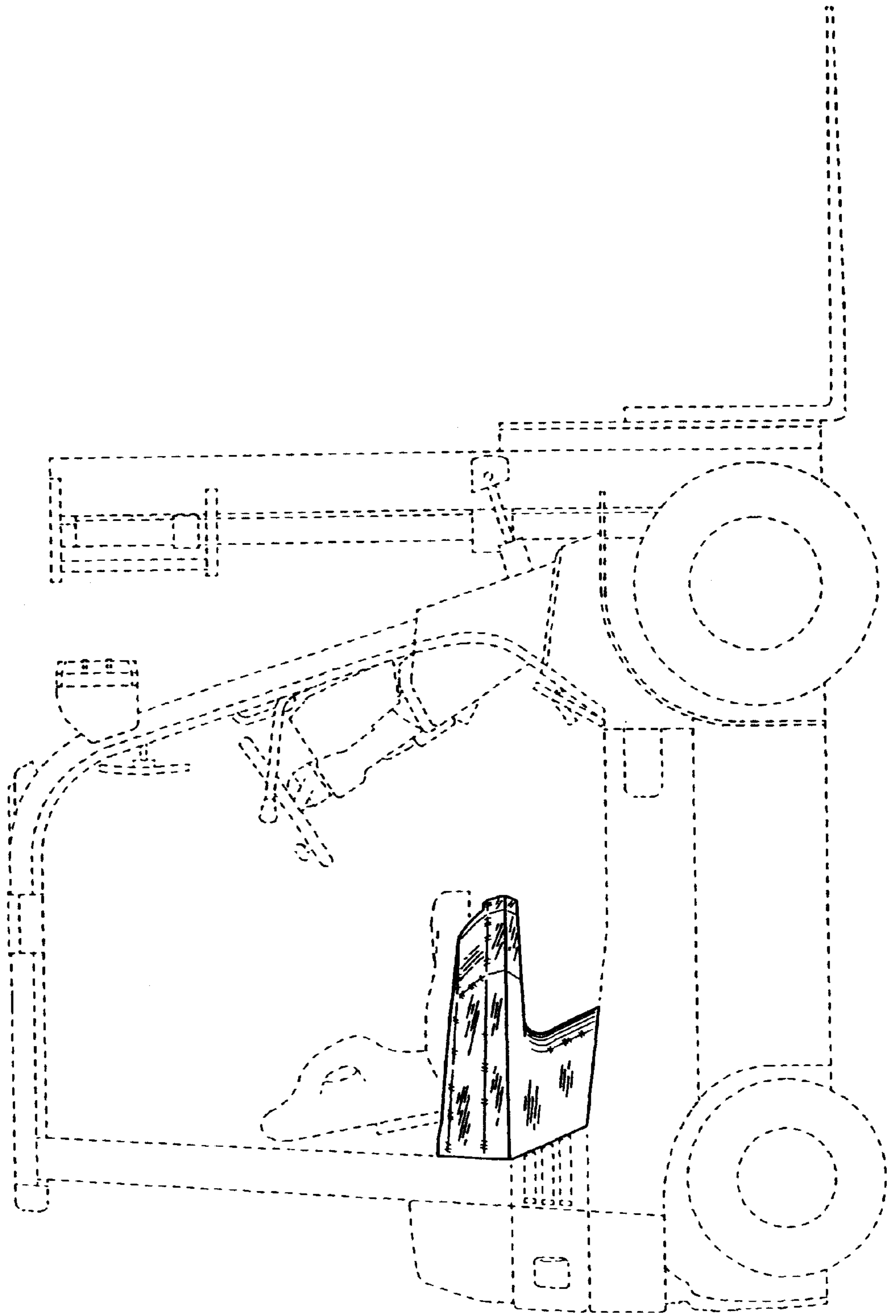


Fig. 6

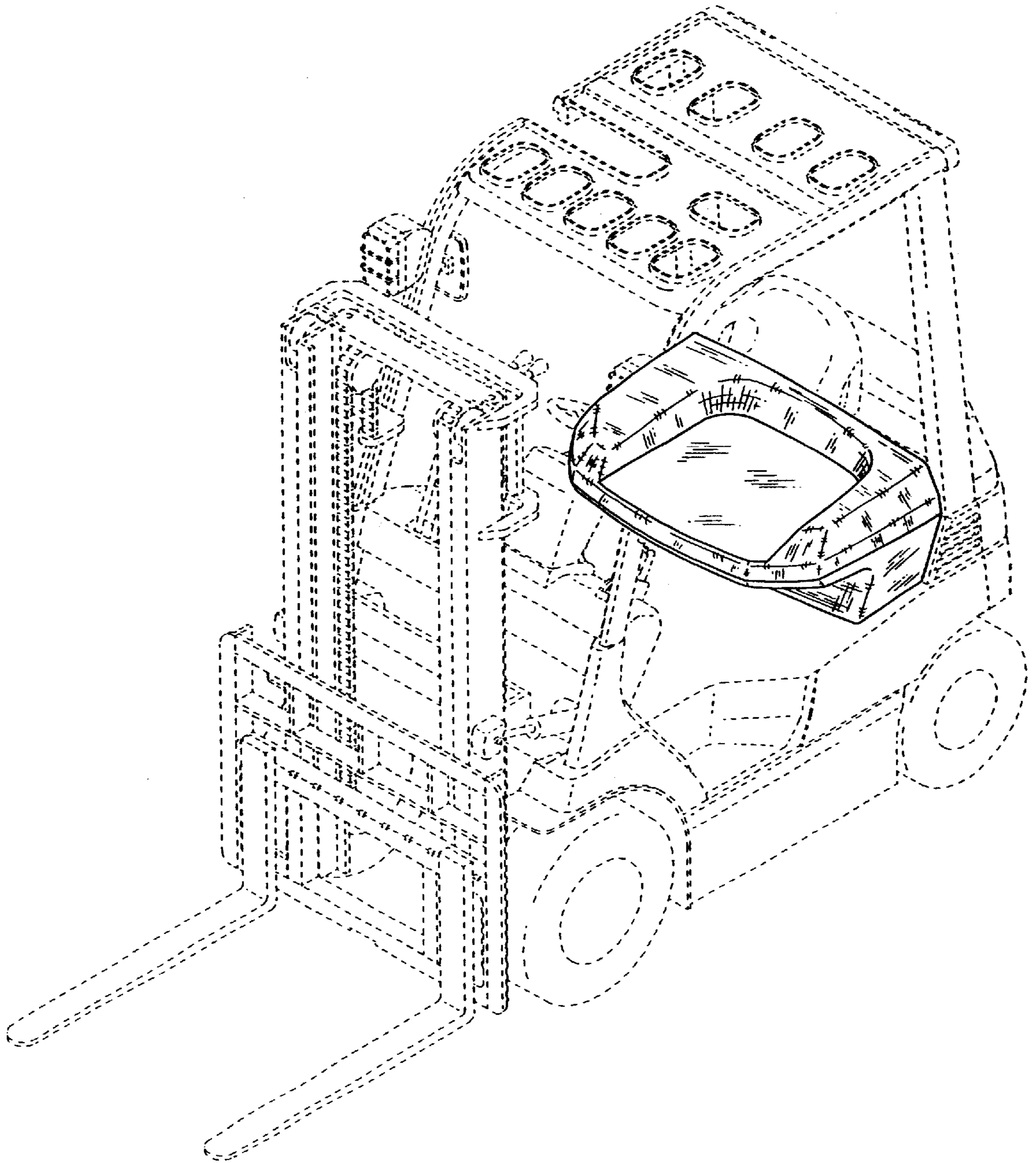


Fig. 7

