



US00D464783S

(12) **United States Design Patent**
Abbestam

(10) **Patent No.:** **US D464,783 S**

(45) **Date of Patent:** **** Oct. 22, 2002**

(54) **PORTION OF A CONVEYOR**

(75) Inventor: **Göran Abbestam, Partille (SE)**

(73) Assignee: **FlexLink Components AB, Gothenburg (SE)**

(**) Term: **14 Years**

(21) Appl. No.: **29/135,007**

(22) Filed: **Jan. 4, 2001**

(30) **Foreign Application Priority Data**

Jul. 5, 2000 (SE) 00-1245

(51) **LOC (7) Cl.** **12-05**

(52) **U.S. Cl.** **D34/29; D25/119**

(58) **Field of Search** D34/29, 35; D25/119,
D25/120, 121, 124, 125; 198/851, 837,
838, 841; 52/800.12, 465, 468, 469, 470;
D8/340

(56) **References Cited**

U.S. PATENT DOCUMENTS

2,303,976 A * 12/1942 Bawcutt et al. 198/851
D141,049 S * 5/1945 Ketchum D25/119
2,385,923 A * 10/1945 Klaucke et al. 198/880
3,456,409 A * 7/1969 Piget 198/837
D241,536 S * 9/1976 Shell D25/119
4,138,011 A * 2/1979 Lapeyre 198/844
D260,181 S * 8/1981 Dallaire D25/120
4,394,901 A * 7/1983 Roinestad 198/852
D286,932 S * 11/1986 Bode et al. D34/29
D289,607 S * 5/1987 Schroder et al. D8/499
D289,734 S * 5/1987 Schroder et al. D8/499
D290,932 S * 7/1987 Abbestam et al. D8/499
D291,777 S * 9/1987 Lapeyre et al. D8/499
D292,065 S * 9/1987 Abbestam et al. D8/499
D305,366 S * 1/1990 Ripley D25/119
D306,080 S * 2/1990 Whitney D25/119
D307,707 S * 5/1990 Abbestam et al. D8/499
D314,911 S * 2/1991 Spica D8/340
D317,513 S * 6/1991 Miller et al. D25/119 X

D320,094 S * 9/1991 Miller et al. D25/119 X
D327,746 S * 7/1992 Valentin D25/124
D332,213 S * 1/1993 Woyach et al. D8/499
D338,536 S * 8/1993 Gifford, Sr. D25/119
D338,972 S * 8/1993 Moss et al. D25/124
D344,595 S * 2/1994 Ehmke et al. D25/119
5,309,705 A * 5/1994 Takahashi et al. 198/852
D347,699 S * 6/1994 Krueger D25/119
5,332,084 A * 7/1994 Greve 198/853
D359,149 S * 6/1995 Nozaki D34/29
D370,759 S * 6/1996 Kubski et al. D34/29
D382,978 S * 8/1997 Gearing D25/119
D398,029 S * 9/1998 Falls et al. D25/119 X
D402,061 S * 12/1998 Leonelli D25/124
5,850,902 A * 12/1998 Hicks et al. 198/853
D419,742 S * 1/2000 Abbestam D34/29
D420,483 S * 2/2000 Abbestam D34/29
D425,682 S * 5/2000 Wang D34/28
D426,366 S * 6/2000 Petrovic D34/29
D426,692 S * 6/2000 Swanink D34/29
D427,325 S * 6/2000 Ginzel D25/119
D427,898 S * 7/2000 Loh D8/499
6,089,379 A * 7/2000 Hindi 198/853
432,671 A * 10/2000 Grosfillex D25/119
6,171,209 B1 * 1/2001 Matsuda 474/213
D439,389 S * 3/2001 Simkowski D34/35
D439,721 S * 3/2001 Swanink D34/29

* cited by examiner

Primary Examiner—Cynthia E. Ramirez
(74) *Attorney, Agent, or Firm*—Burns, Doane, Swecker & Mathis L.L.P.

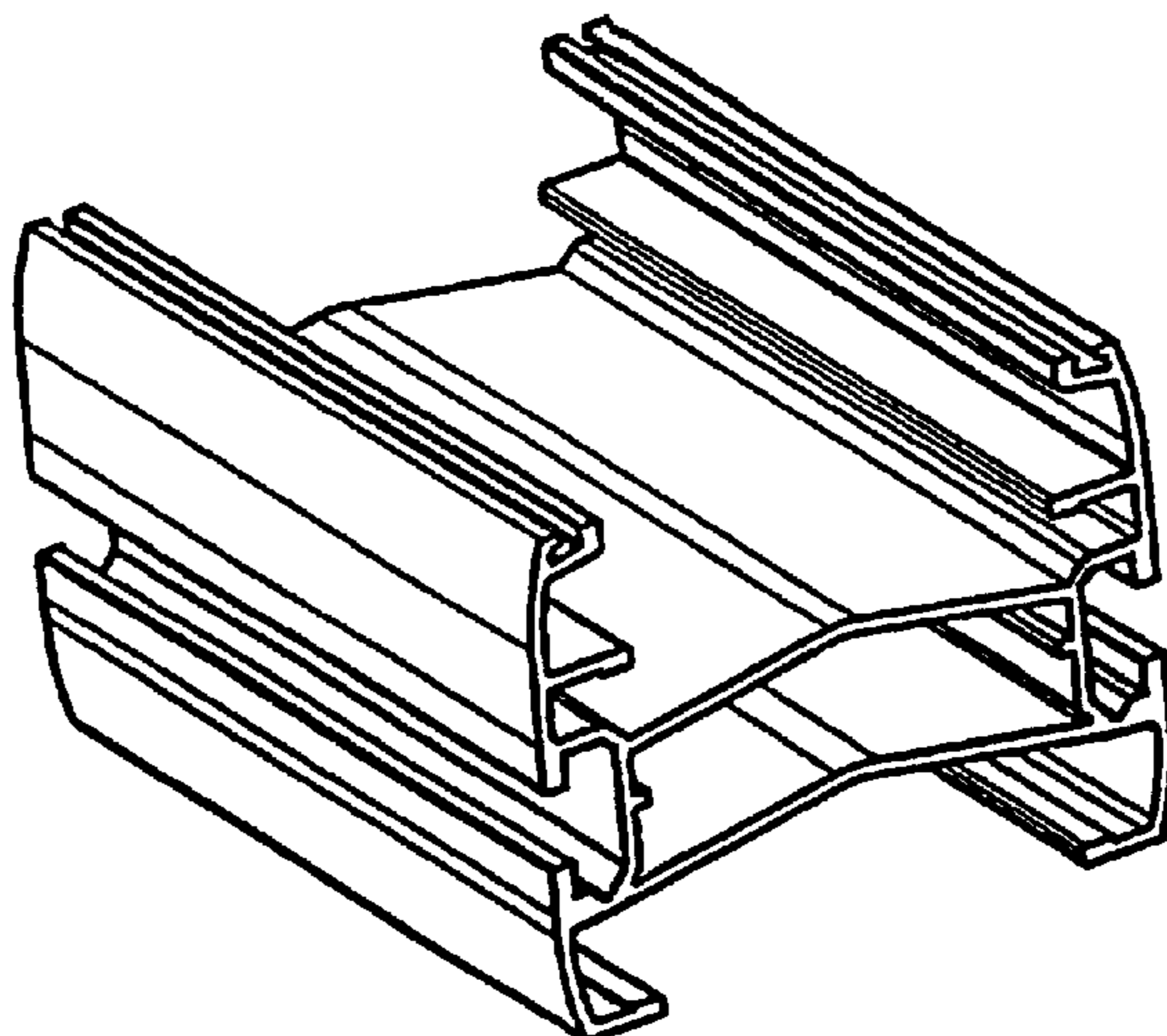
(57) **CLAIM**

The ornamental design for a portion of a conveyor, as shown and described.

DESCRIPTION

FIG. 1 is a top perspective view of a portion of a conveyor showing my new design;
FIG. 2 is a bottom perspective view thereof; and,
FIG. 3 is an end elevational view thereof.

1 Claim, 1 Drawing Sheet



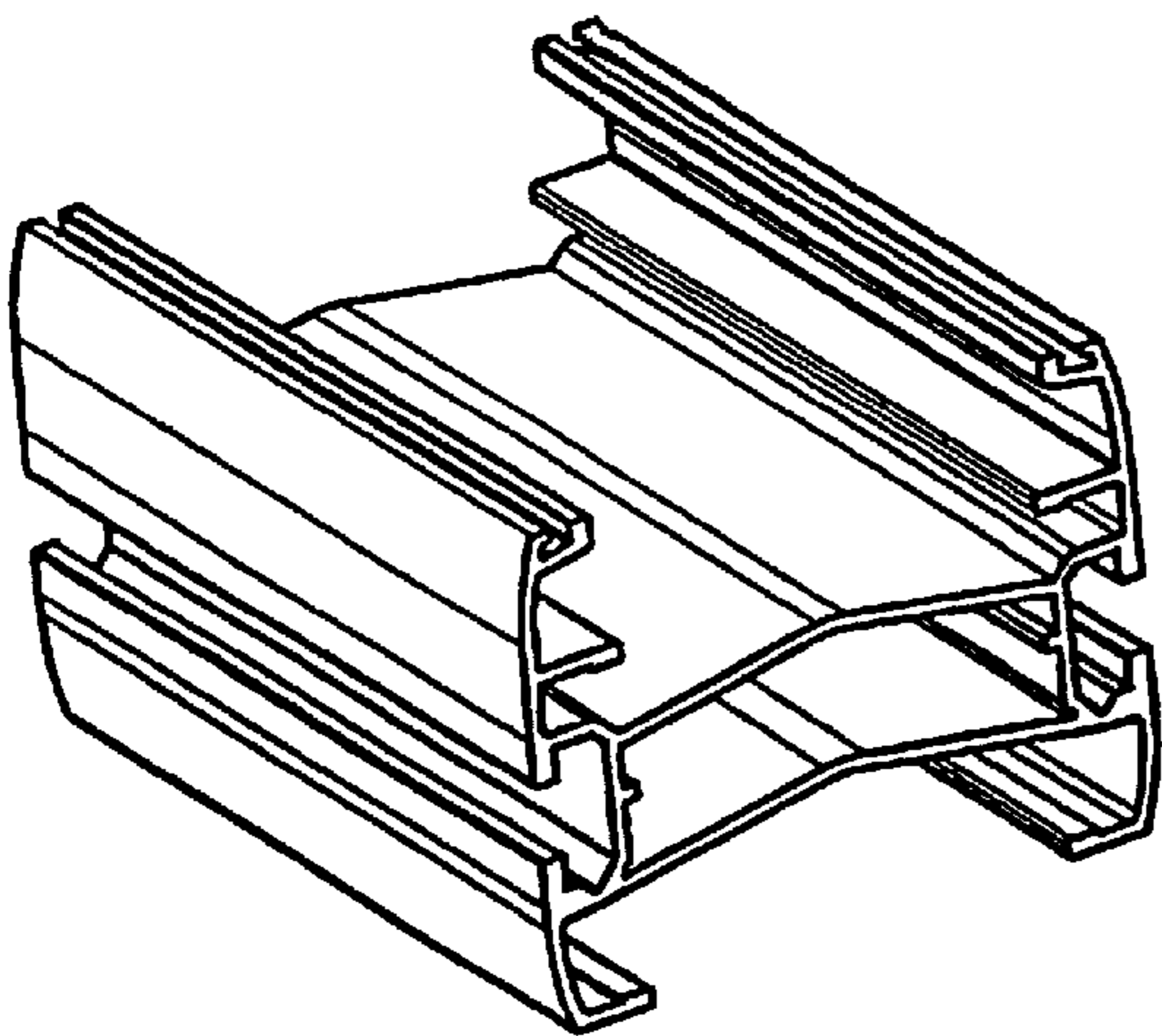


FIG. 1

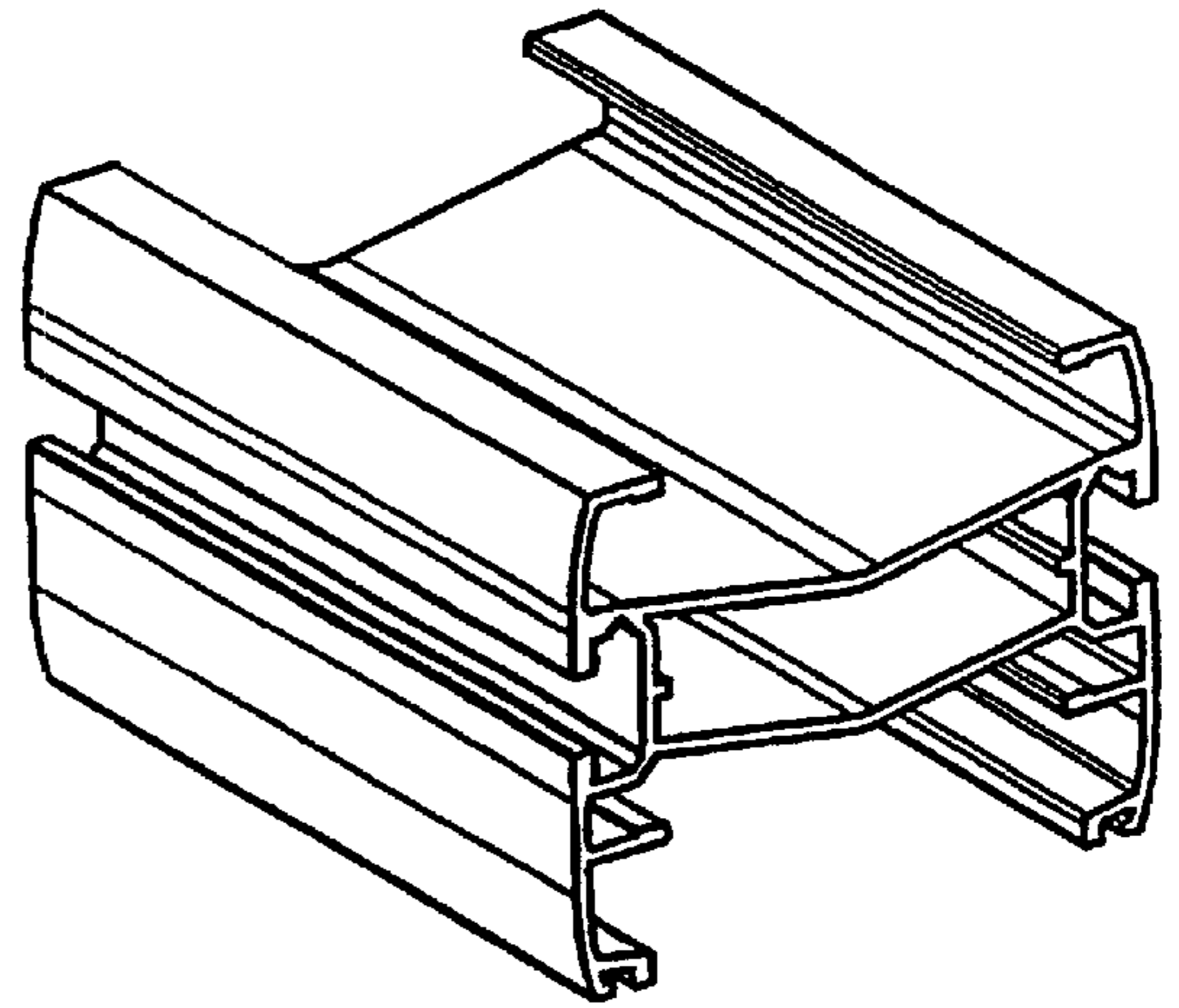


FIG. 2

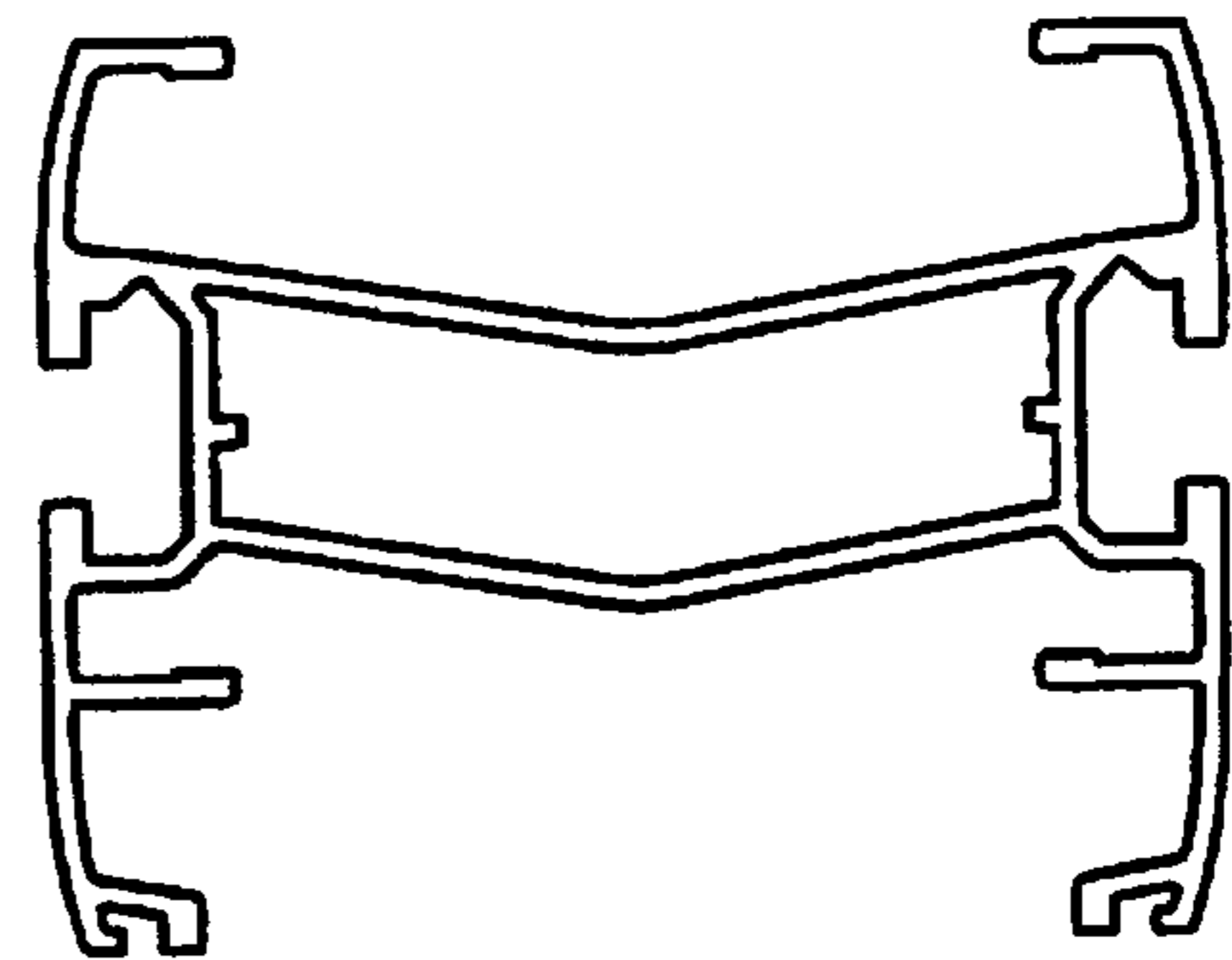


FIG. 3