



US00D464782S

(12) **United States Design Patent**
Bitsch et al.

(10) **Patent No.:** **US D464,782 S**
(45) **Date of Patent:** **** Oct. 22, 2002**

(54) **WORKING CONTAINER**

6,279,928 B1 * 8/2001 Biggs, Sr. 280/47.19

(75) Inventors: **Hans-Ullrich Bitsch**, Dusseldorf (DE);
Hadi Teherani, Hamburg (DE)

FOREIGN PATENT DOCUMENTS

(73) Assignee: **König + Neurath AG**, Karben (DE)

DE 195 24 130 1/1997
DE 299 13 150 11/1999
FR 2 690 319 10/1993

(**) Term: **14 Years**

* cited by examiner

(21) Appl. No.: **29/133,835**

Primary Examiner—Kay H. Chin

(22) Filed: **Dec. 7, 2000**

(74) *Attorney, Agent, or Firm*—Collard & Roe, P.C.

(30) **Foreign Application Priority Data**

(57) **CLAIM**

Jun. 8, 2000 (DE) 400 05 374

The ornamental design for a working container, as shown and described.

(51) **LOC (7) Cl.** **12-02**

DESCRIPTION

(52) **U.S. Cl.** **D34/19; D34/12**

(58) **Field of Search** D34/12-27; D6/462,
D6/474, 478, 436, 445; 280/47.35, 79.11,
79.2, 47.19, 47.18; 312/209

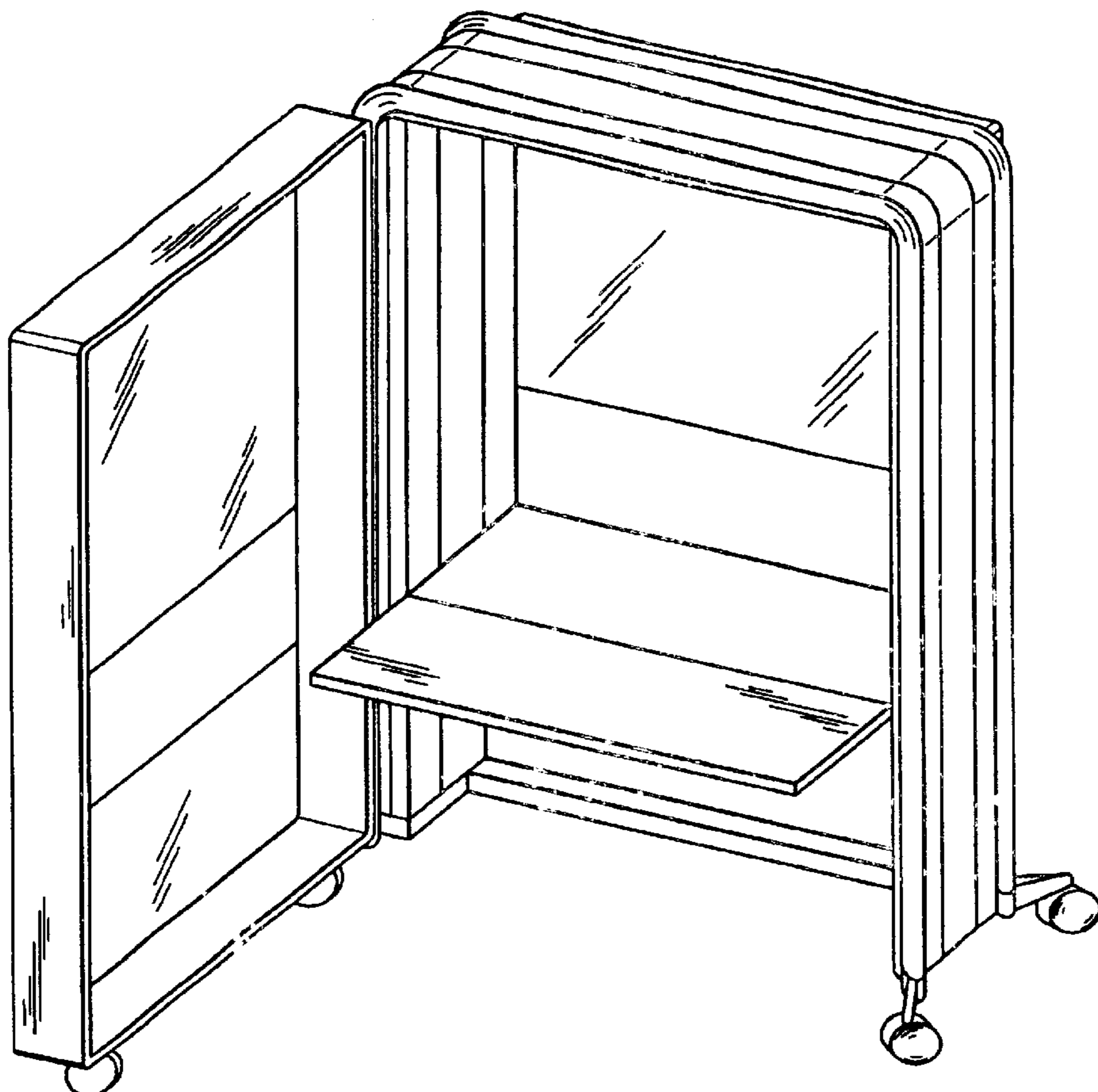
FIG. 1 is a front elevation view of the working container showing our new design;
FIG. 2 is a right side elevation view thereof, the left side view being a mirror image of that shown;
FIG. 3 is a top plan view thereof;
FIG. 4 is a bottom plan view thereof;
FIG. 5 is a perspective view thereof in an open position; and,
FIG. 6 is a rear elevation view thereof.

(56) **References Cited**

U.S. PATENT DOCUMENTS

5,536,080 A 7/1996 Madimenos et al.
D430,373 S * 8/2000 Montague D34/19
D444,930 S * 7/2001 Brown D34/19

1 Claim, 5 Drawing Sheets



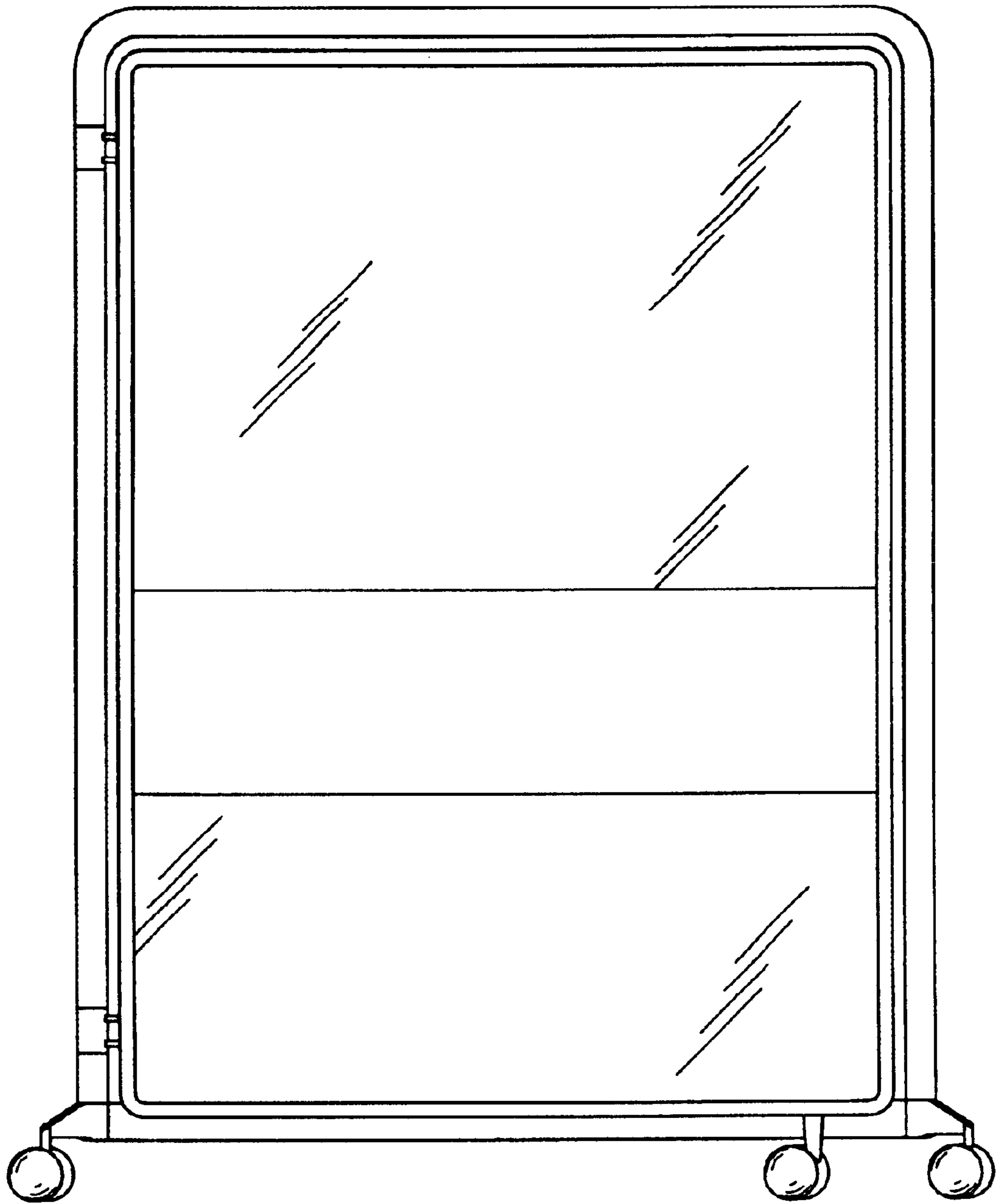


Fig. 1

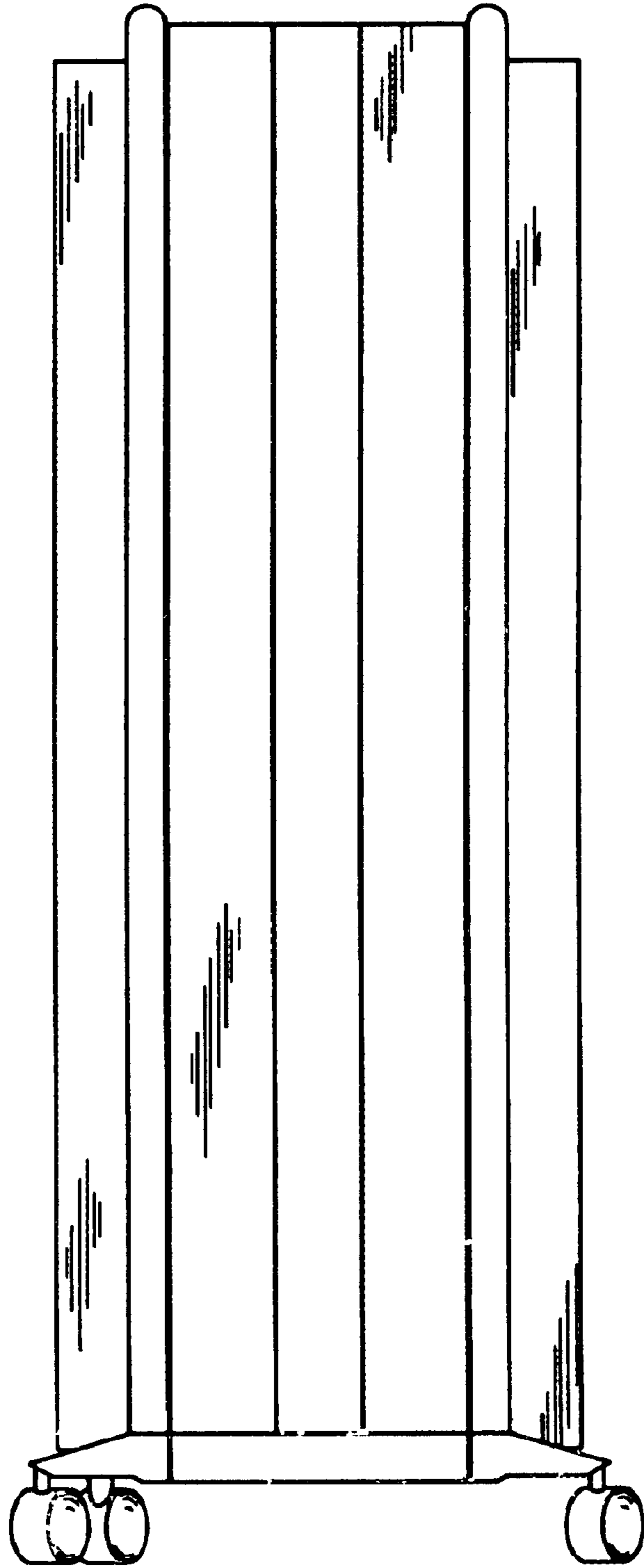


Fig. 2

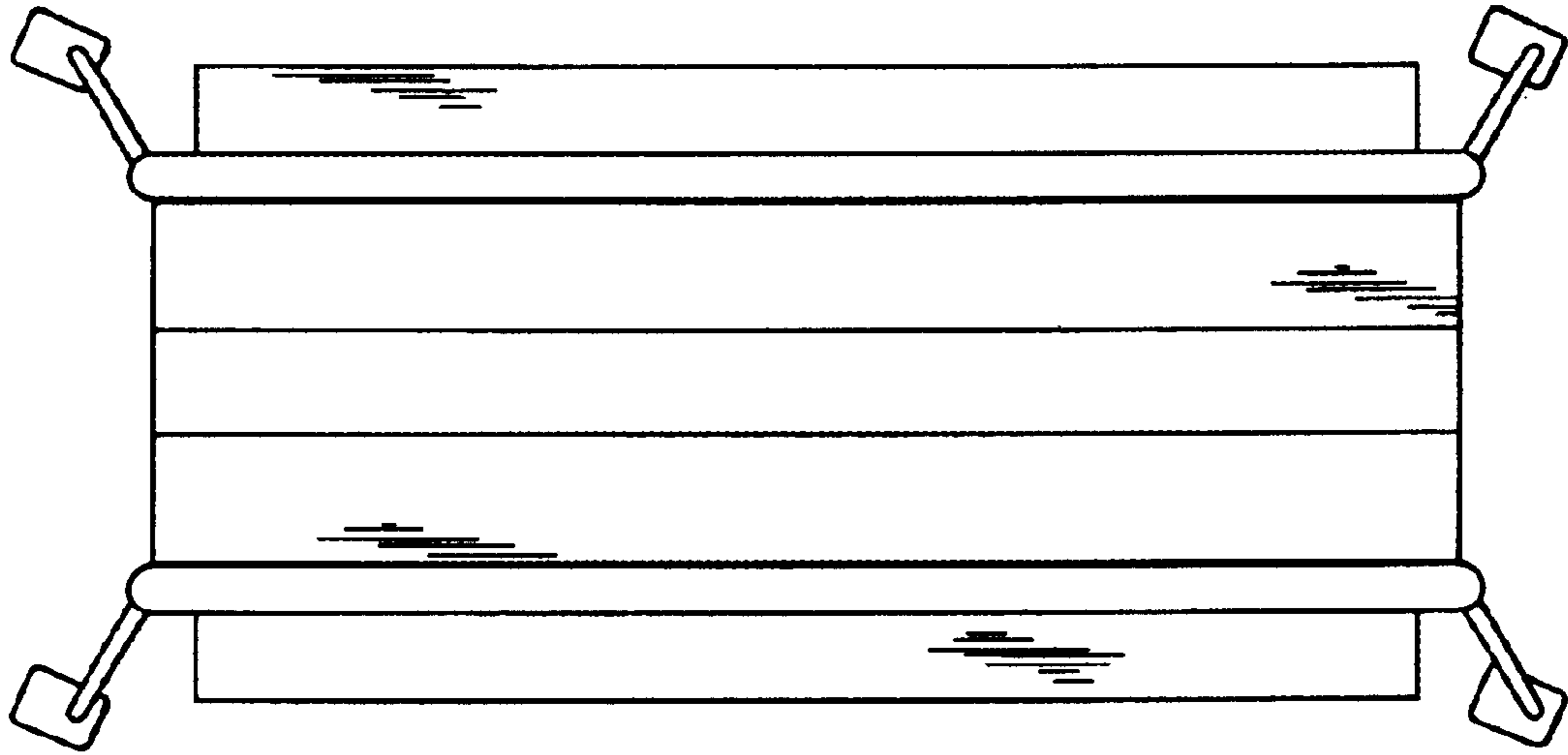


Fig. 3

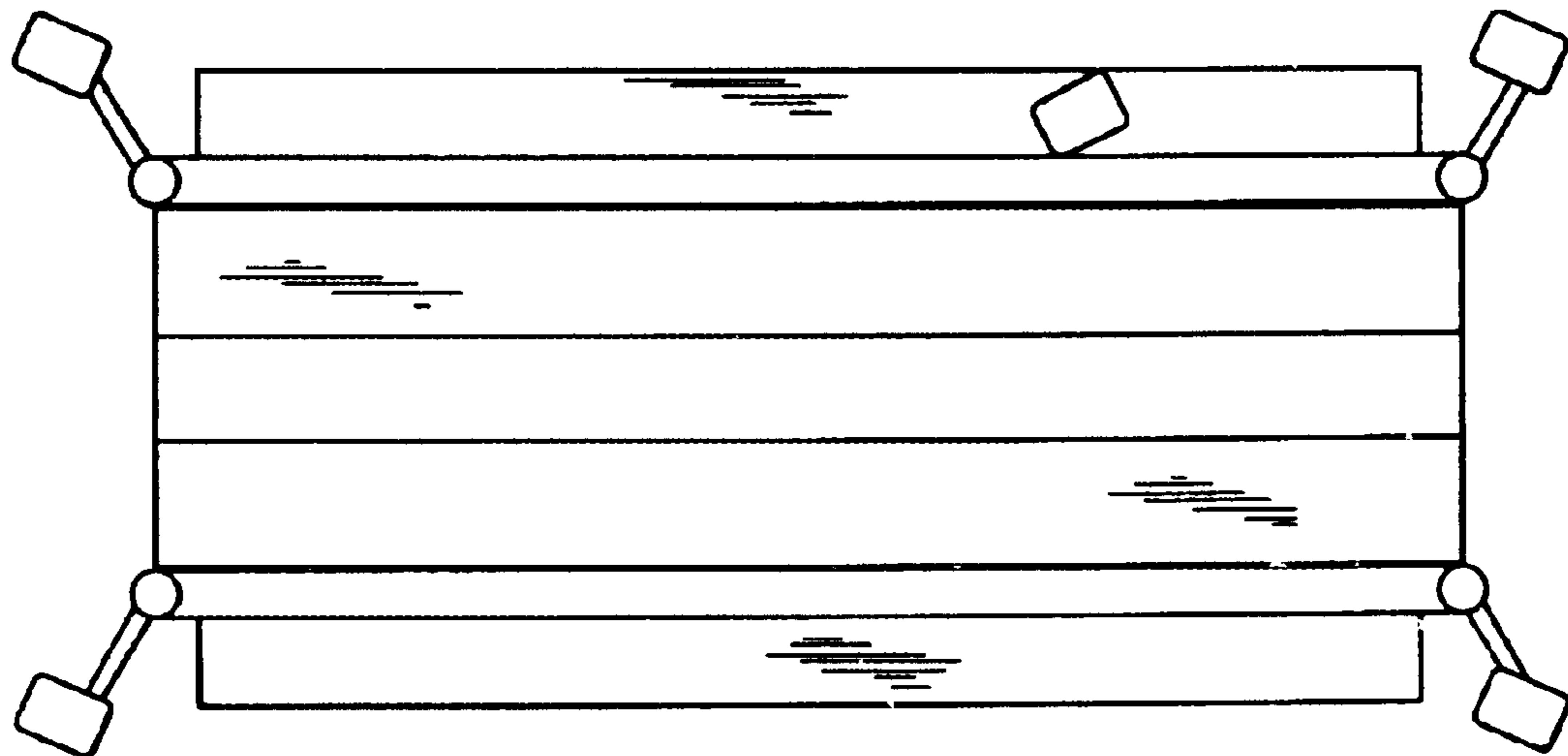


Fig. 4

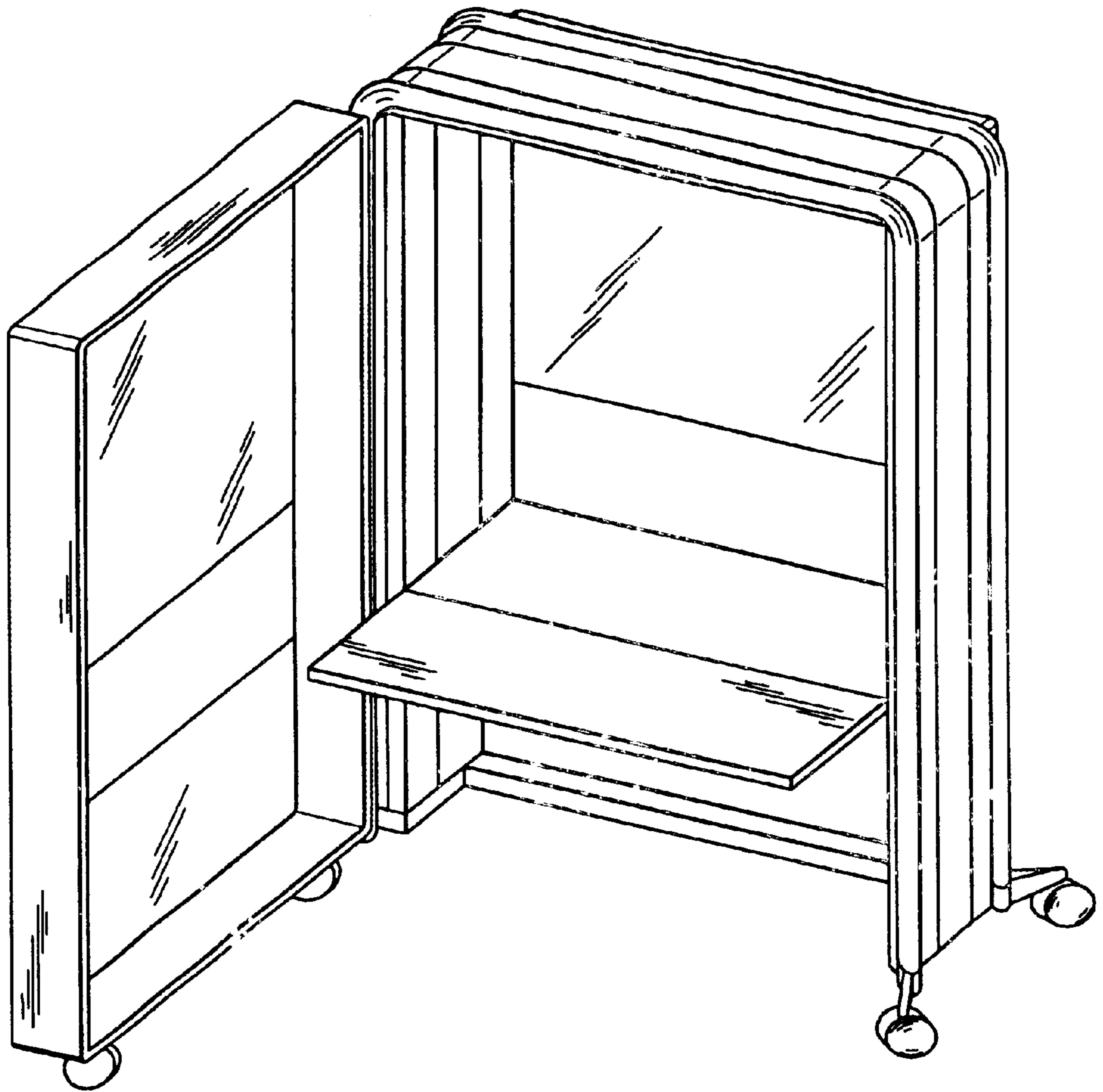


Fig. 5

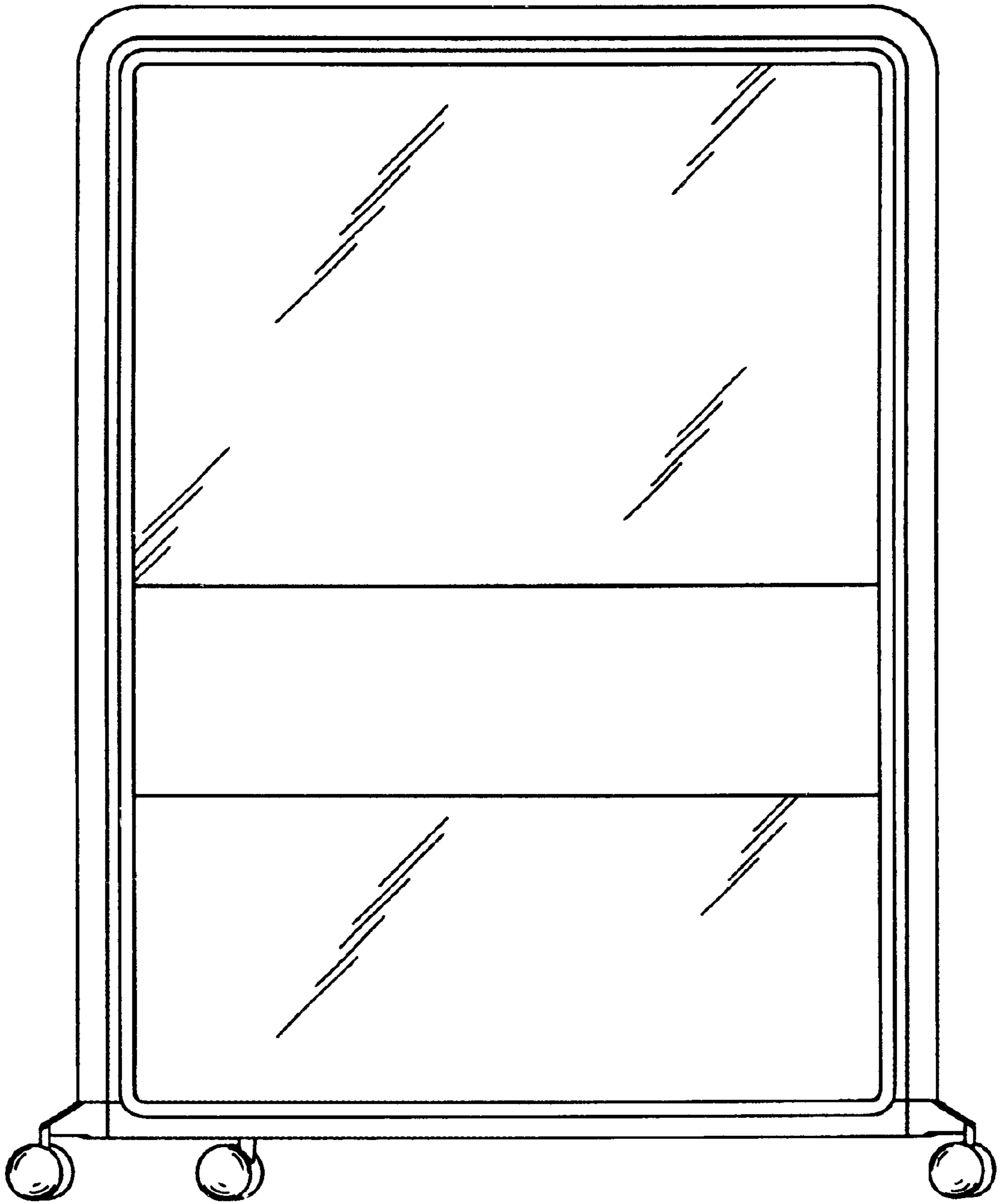


Fig. 6