



US00D464778S

(12) **United States Design Patent**
Susek

(10) **Patent No.:** **US D464,778 S**

(45) **Date of Patent:** **** Oct. 22, 2002**

(54) **MOP WRINGER**

(75) Inventor: **David Susek**, St. Charles, MO (US)

(73) Assignee: **Contico International, LLC**, St. Louis, MO (US)

(**) Term: **14 Years**

(21) Appl. No.: **29/148,430**

(22) Filed: **Sep. 20, 2001**

(51) **LOC (7) Cl.** **07-07**

(52) **U.S. Cl.** **D32/54**

(58) **Field of Search** D32/53.1, 54,
D32/35, 42, 45; 15/260, 261, 262, 263

(56) **References Cited**

U.S. PATENT DOCUMENTS

4,735,332 A *	4/1988	Thumser	15/260
5,611,104 A *	3/1997	DeMars	15/263
6,065,175 A *	5/2000	Tejerina	15/260
D427,738 S *	7/2000	McRorie et al.	D32/54

* cited by examiner

Primary Examiner—Jennifer Rivard

(74) *Attorney, Agent, or Firm*—Pennie & Edmonds LLP

(57) **CLAIM**

The ornamental design for a mop wringer, as shown and described.

DESCRIPTION

FIG. 1 is a front and left side perspective view of a mop wringer of the present invention;

FIG. 2 is a front and right side perspective view of the mop wringer of FIG. 1;

FIG. 3 is a top plan view of the mop wringer of FIG. 1;

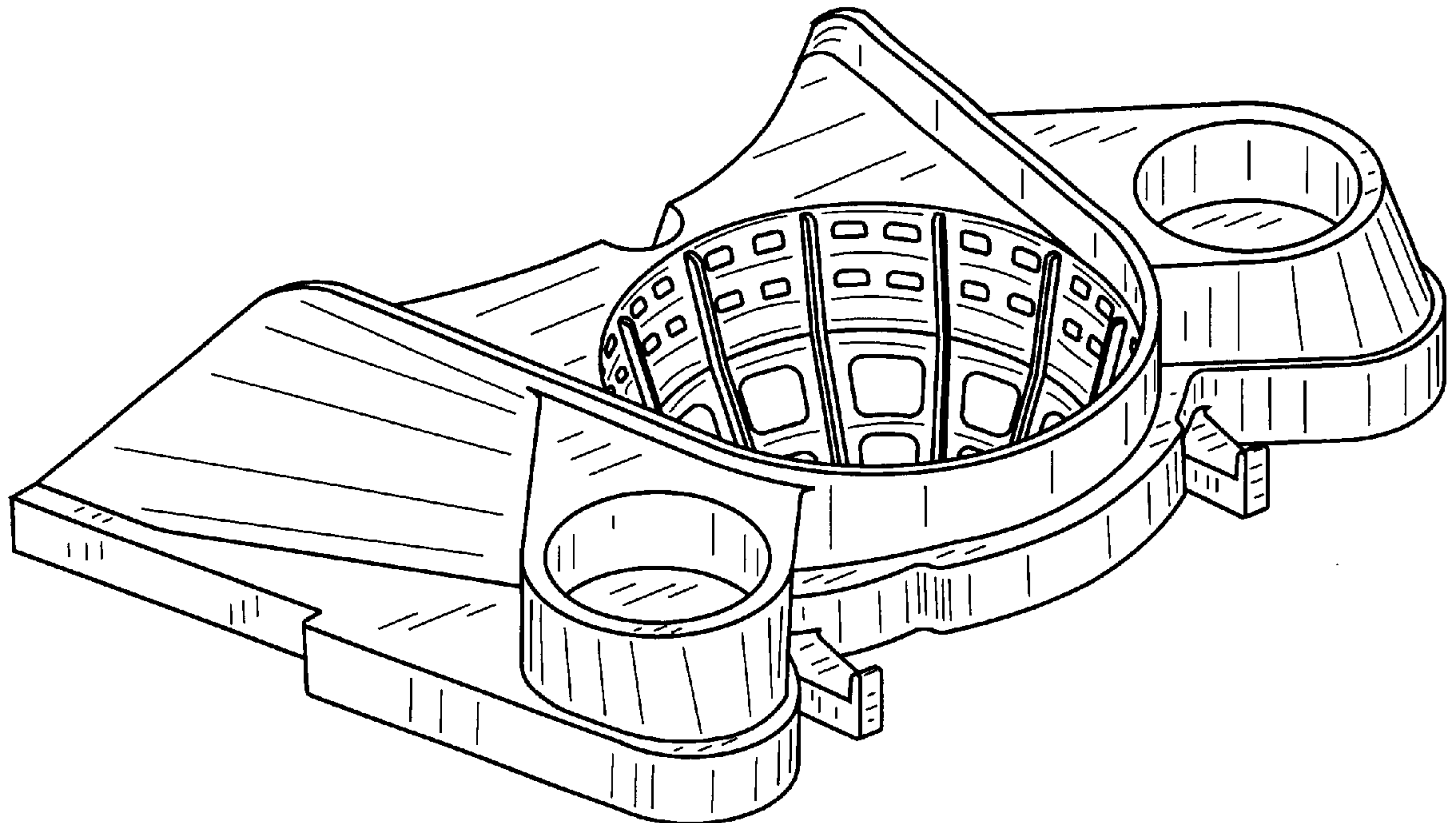
FIG. 4 is a front elevational view of the mop wringer of FIG. 1;

FIG. 5 is a rear elevational view of the mop wringer of FIG. 1;

FIG. 6 is a left side elevational view of the mop wringer of FIG. 1; and,

FIG. 7 is a right side elevational view of the mop wringer of FIG. 1.

1 Claim, 3 Drawing Sheets



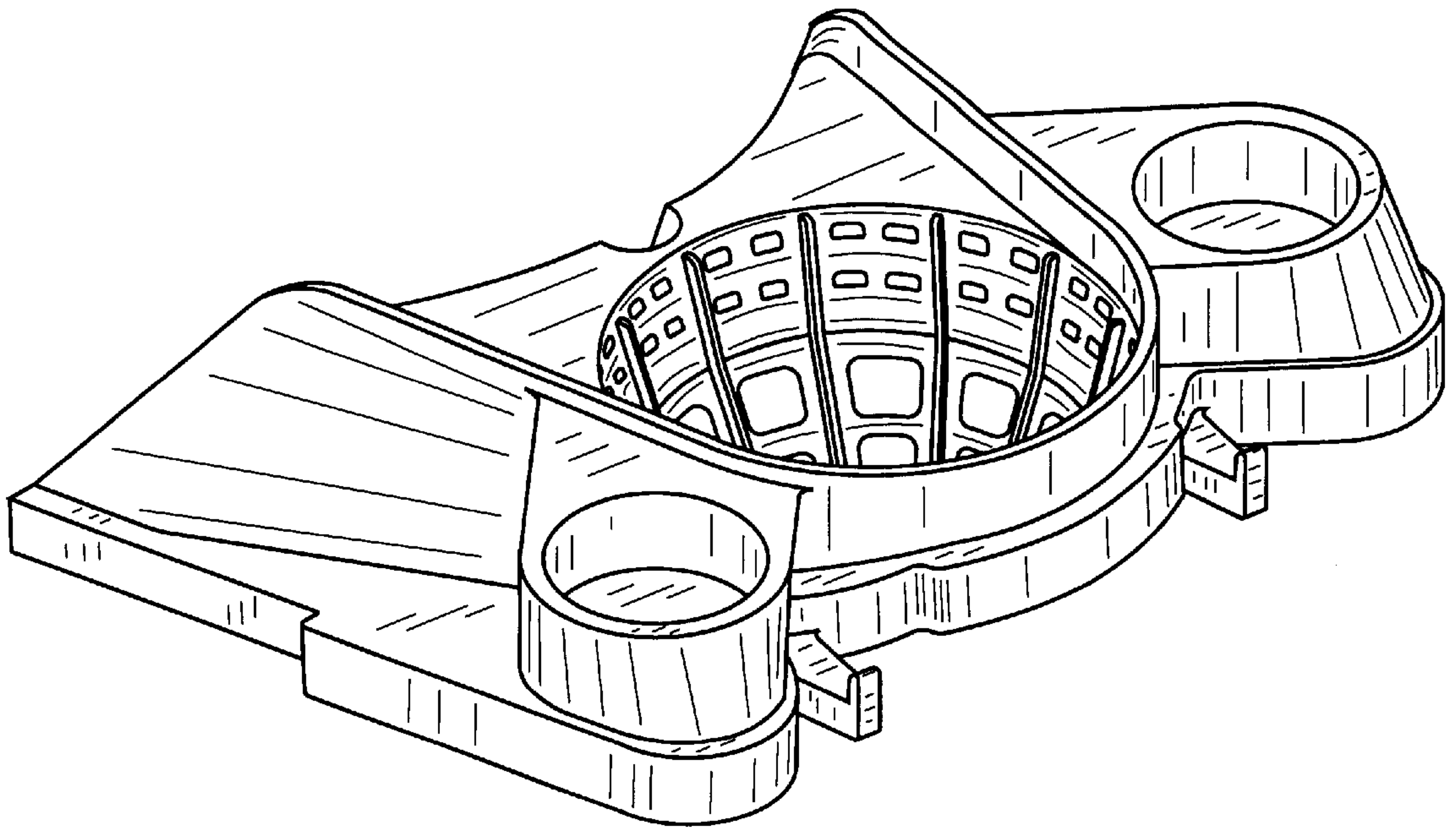


FIG. 1

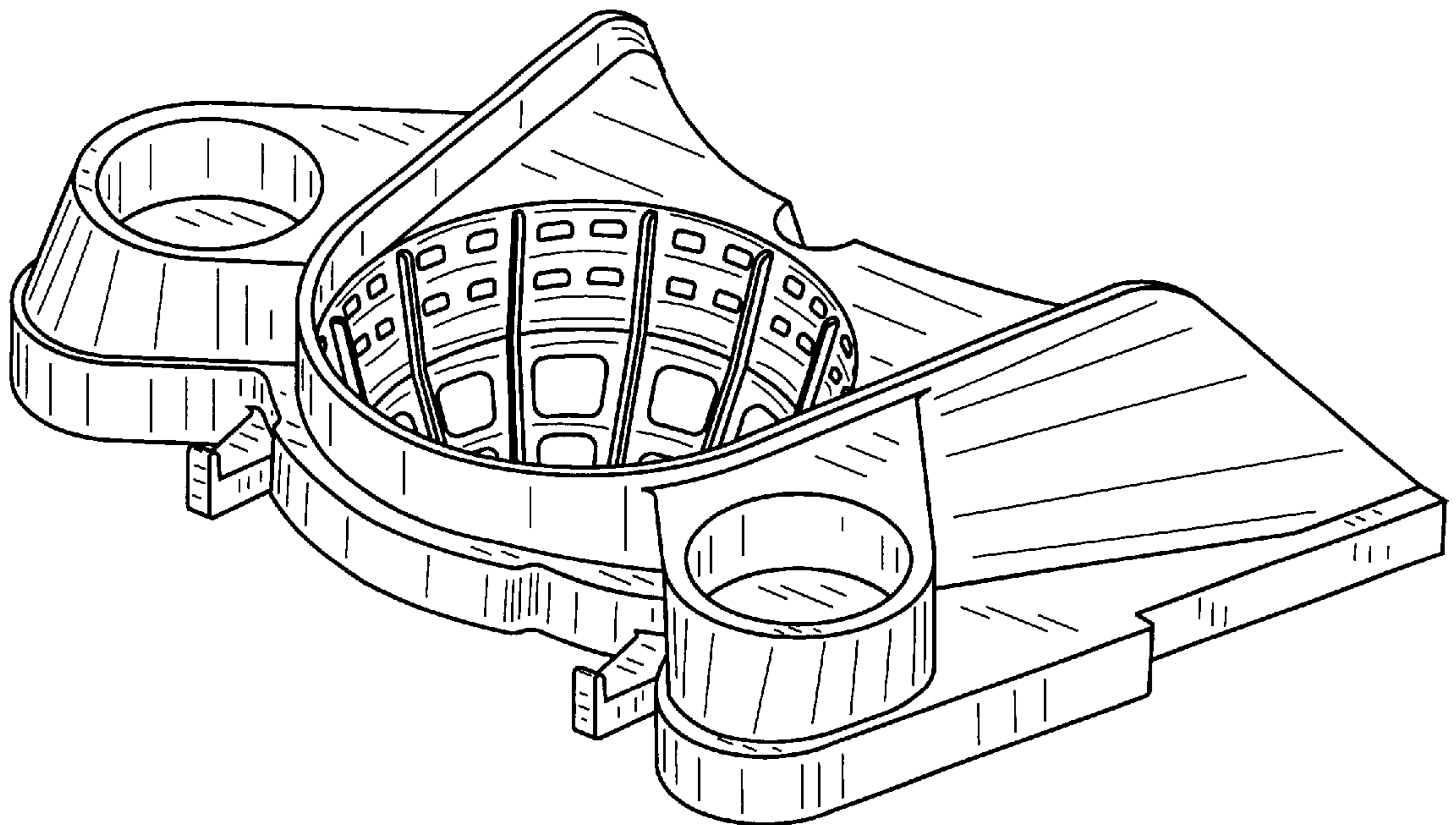


FIG. 2

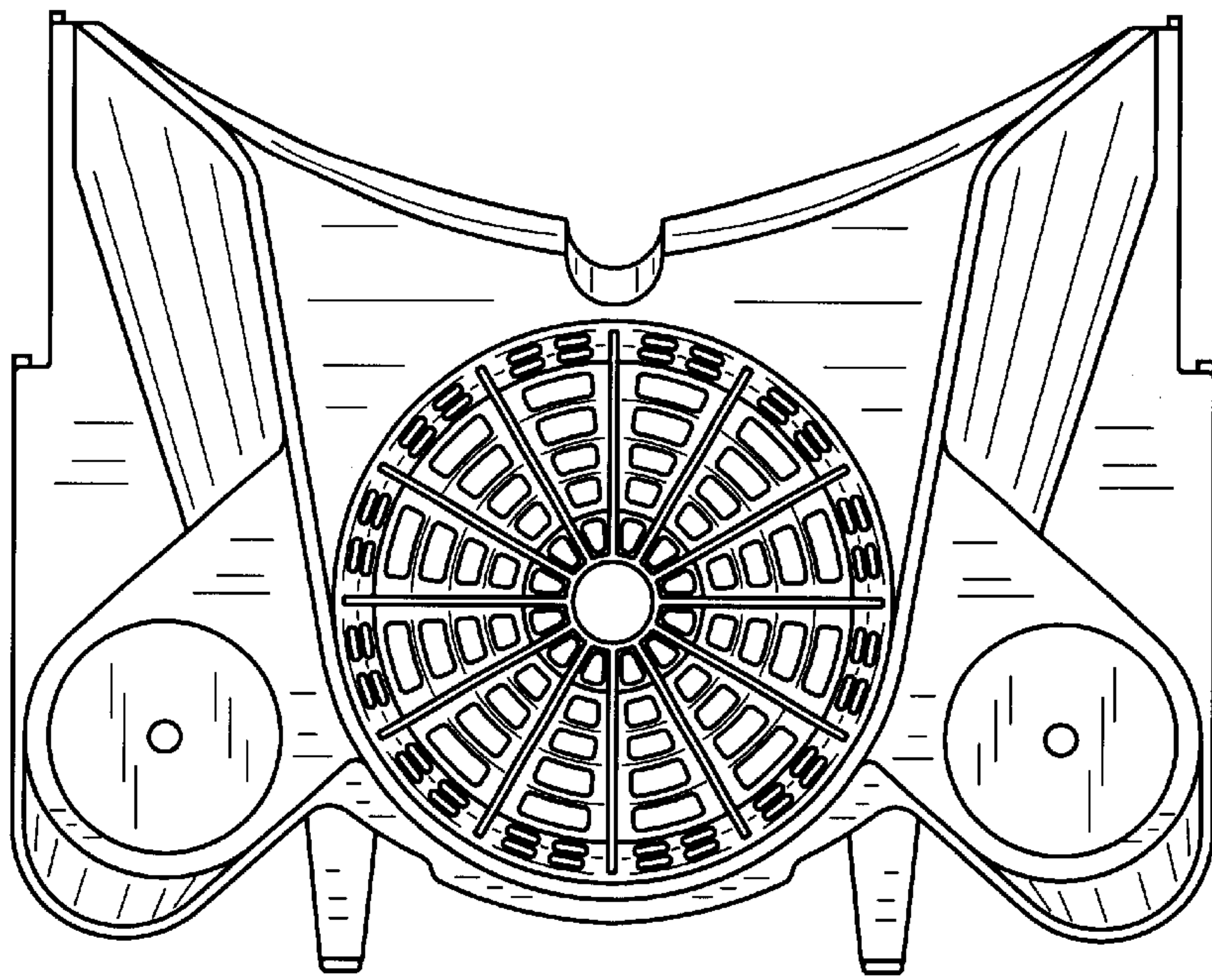


FIG. 3

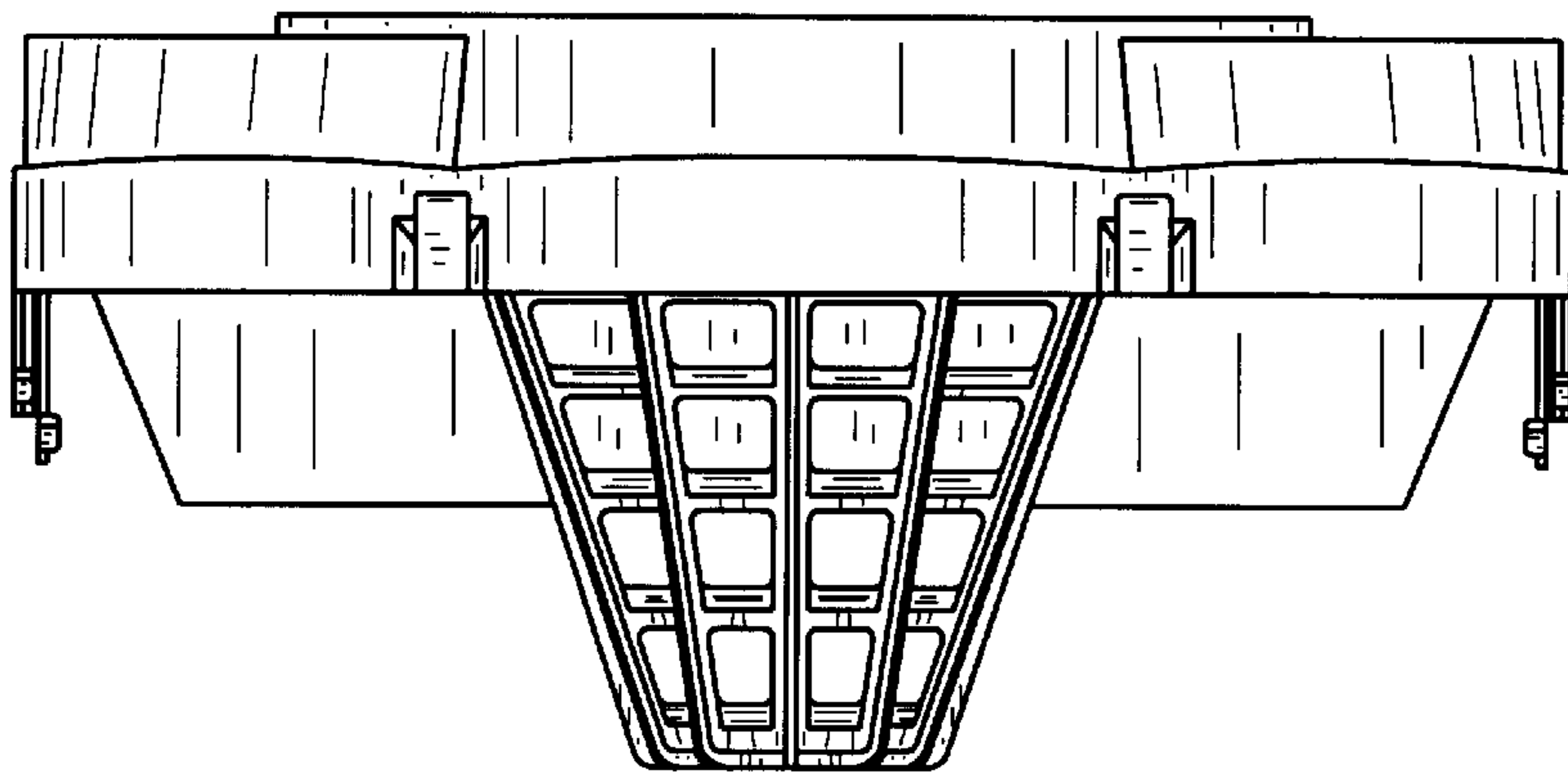


FIG. 4

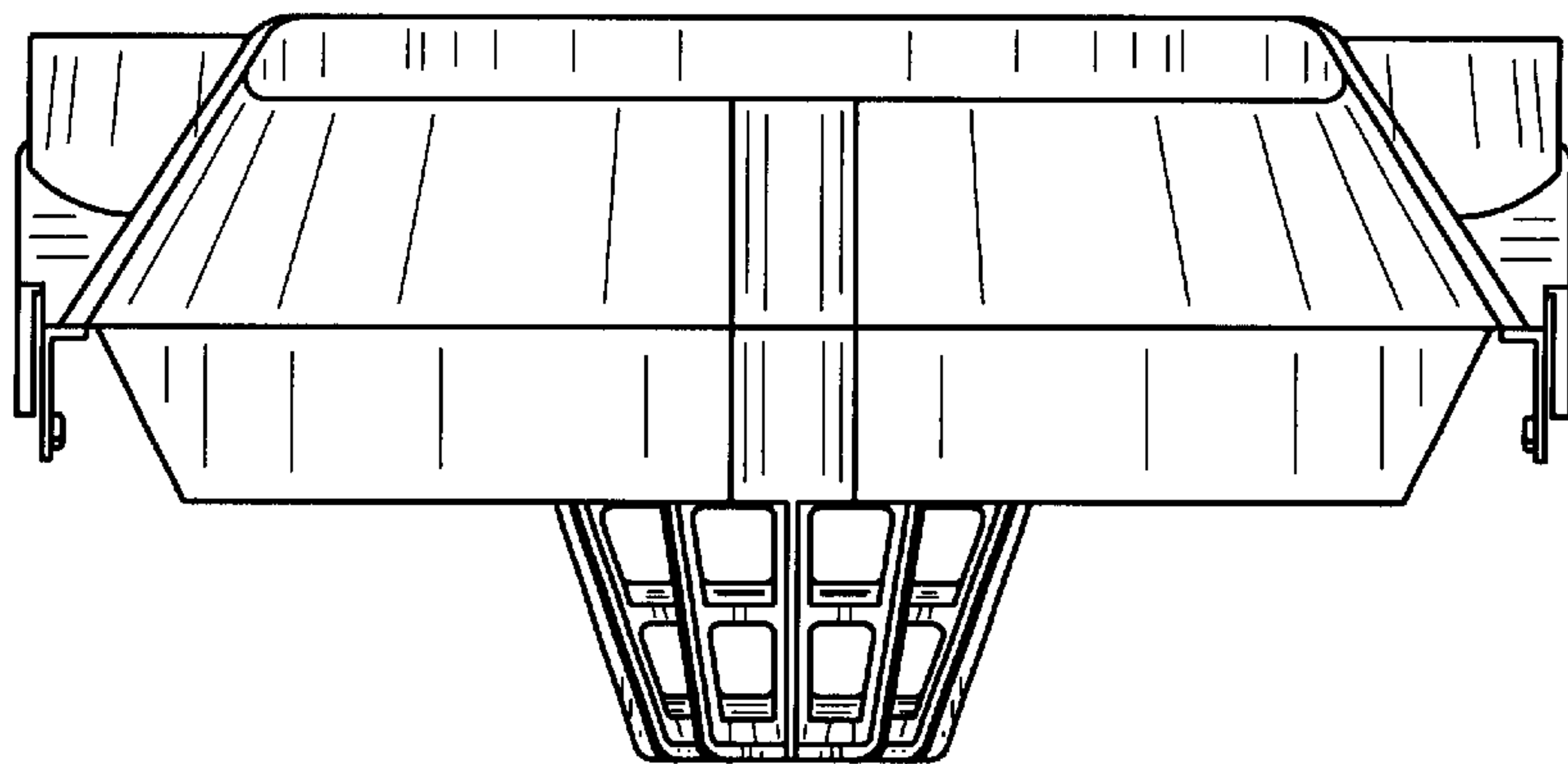


FIG. 5

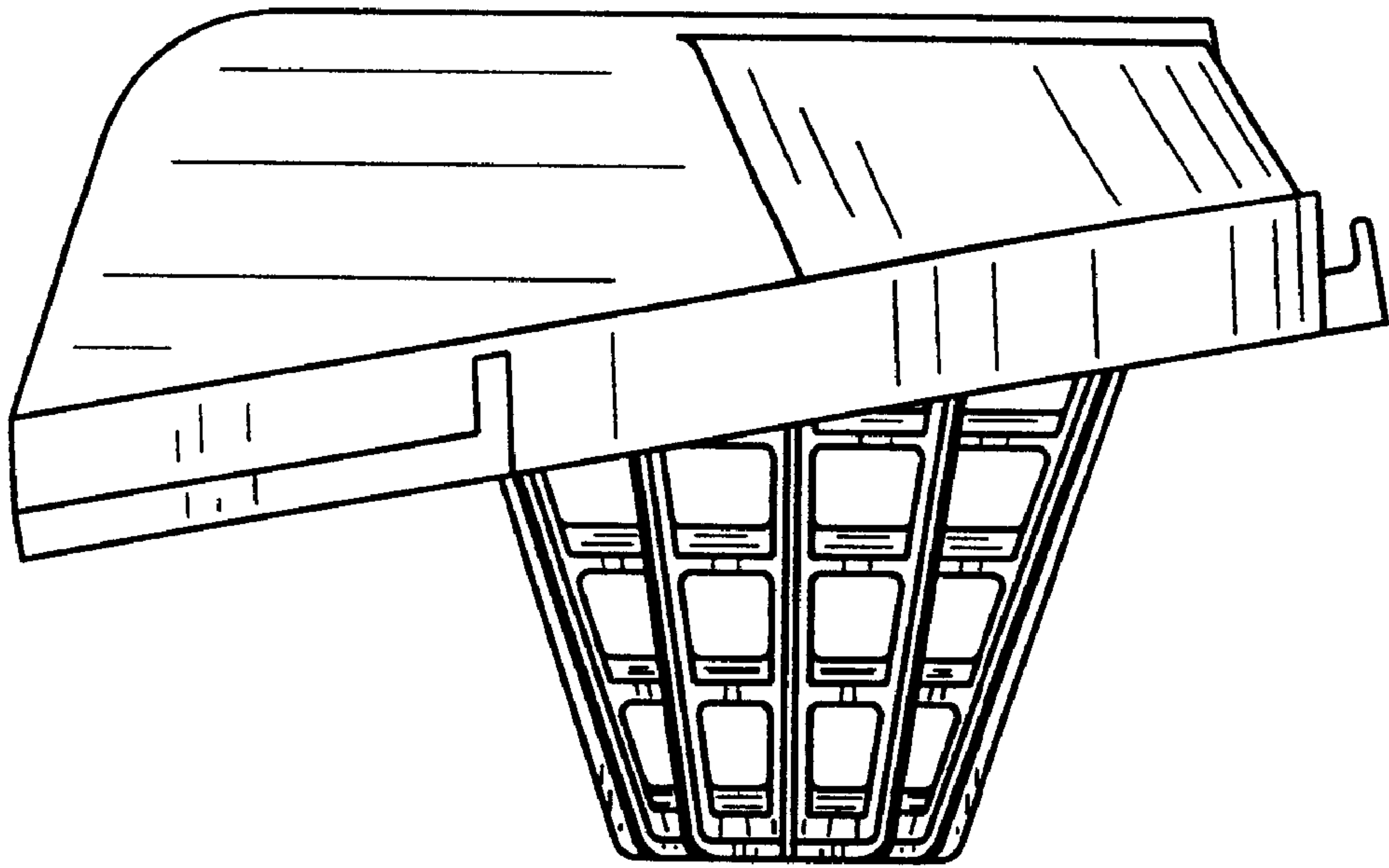


FIG. 6

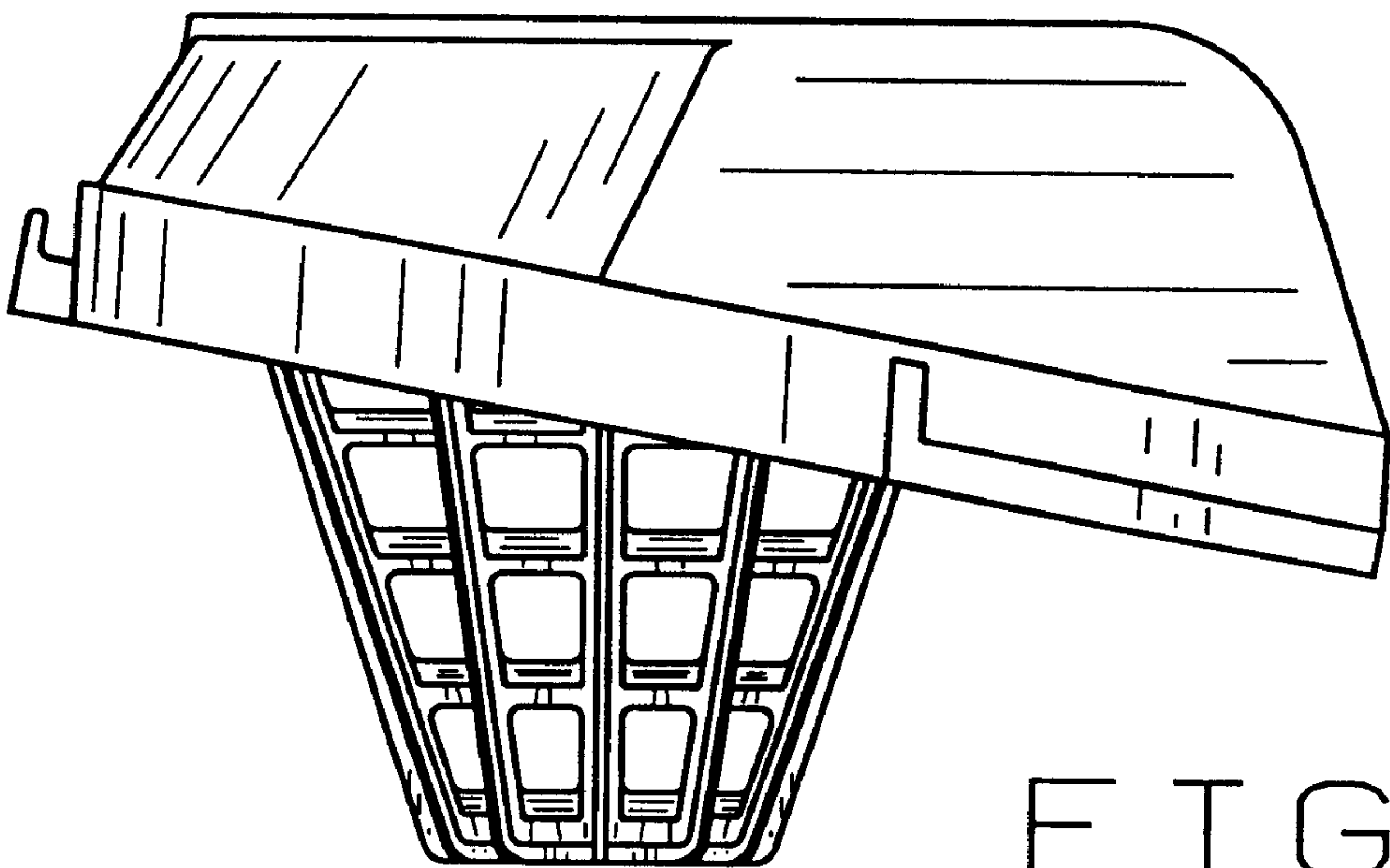


FIG. 7