



US00D464775S

(12) **United States Design Patent**  
**Larson**

(10) **Patent No.:** **US D464,775 S**

(45) **Date of Patent:** **\*\* Oct. 22, 2002**

(54) **WATER POWERED PLUNGER**

(76) Inventor: **Carl J. Larson**, 8620 Cottonwood Dr.,  
Fontana, CA (US) 92335

(\*\*) Term: **14 Years**

(21) Appl. No.: **29/155,035**

(22) Filed: **Feb. 5, 2002**

(51) **LOC (7) Cl.** ..... **08-99**

(52) **U.S. Cl.** ..... **D32/35**

(58) **Field of Search** ..... D8/14; D32/35;  
4/225.01, 255.02, 255.03, 255.04, 255.05,  
255.06, 255.07, 255.08, 255.09, 255.11,  
255.12

(56) **References Cited**

**U.S. PATENT DOCUMENTS**

1,804,874 A \* 5/1931 Hribar ..... 4/255.04  
1,972,114 A \* 9/1934 Stephenson ..... 4/255.12  
D159,726 S \* 8/1950 Grosvold ..... D32/35  
4,768,237 A \* 9/1988 Torti ..... 4/255.05

5,020,166 A \* 6/1991 Davenport ..... 4/255.05  
5,249,311 A \* 10/1993 Rau ..... 4/255.05  
5,524,296 A \* 6/1996 Leighton ..... 4/255.05  
5,537,694 A \* 7/1996 Davenport ..... 4/255.05  
5,546,613 A \* 8/1996 Davenport ..... 4/255.05  
5,974,596 A \* 11/1999 Strzok ..... 4/255.11

\* cited by examiner

*Primary Examiner*—Alan P. Douglas

*Assistant Examiner*—Lavone Tabor

(57) **CLAIM**

The ornamental design for a water powered plunger, as shown and described.

**DESCRIPTION**

FIG. 1 is a front view of a water powered plunger showing my new design.

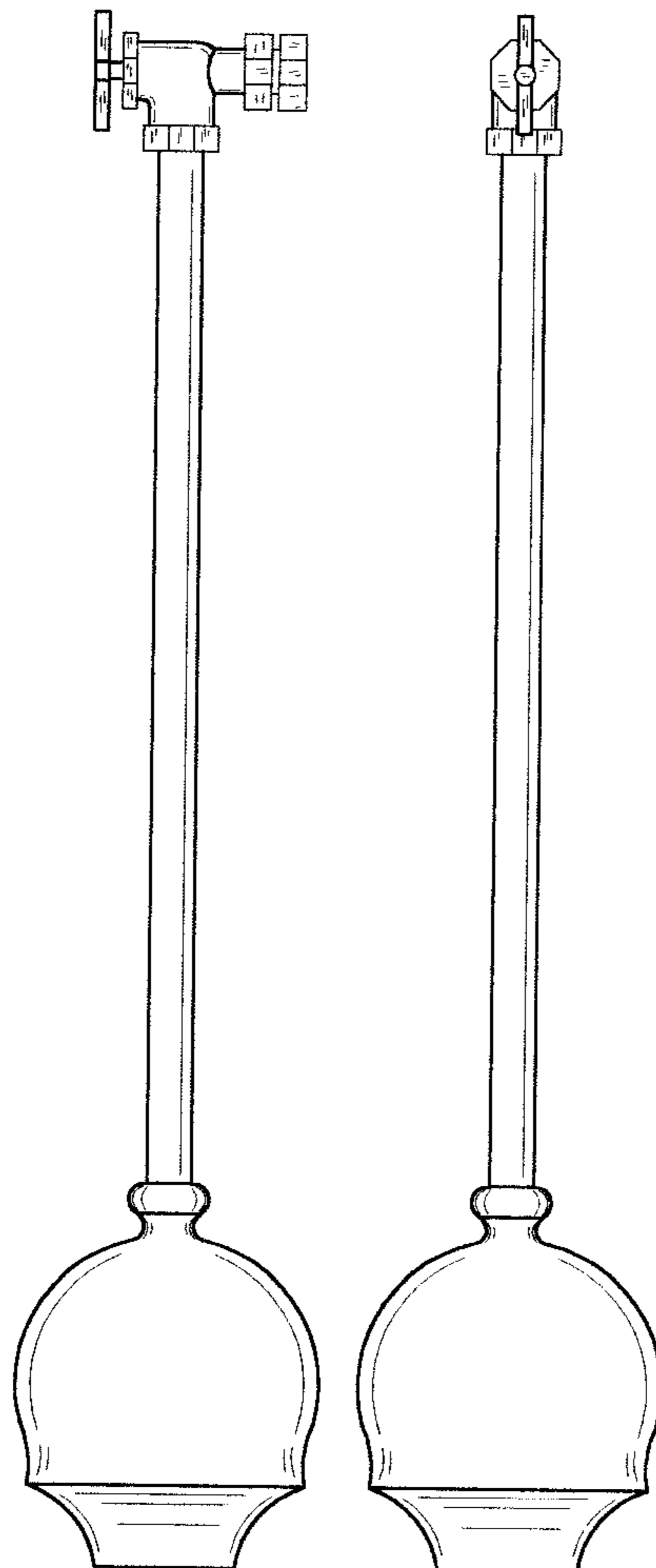
FIG. 2 is a first side view of the water powered plunger.

FIG. 3 is a second side view of the water powered plunger.

FIG. 4 is a bottom view of the water powered plunger; and,

FIG. 5 is a top view of the water powered plunger.

**1 Claim, 1 Drawing Sheet**



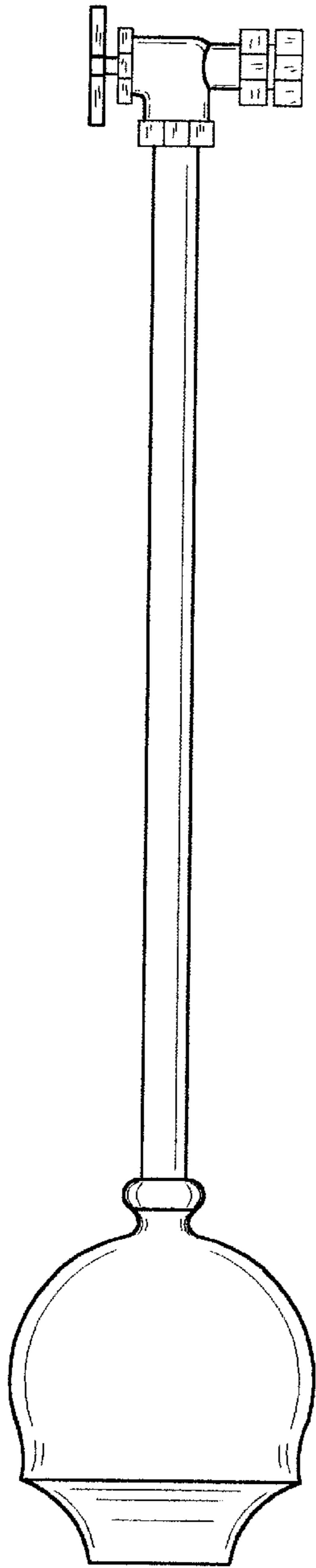


FIG. 1

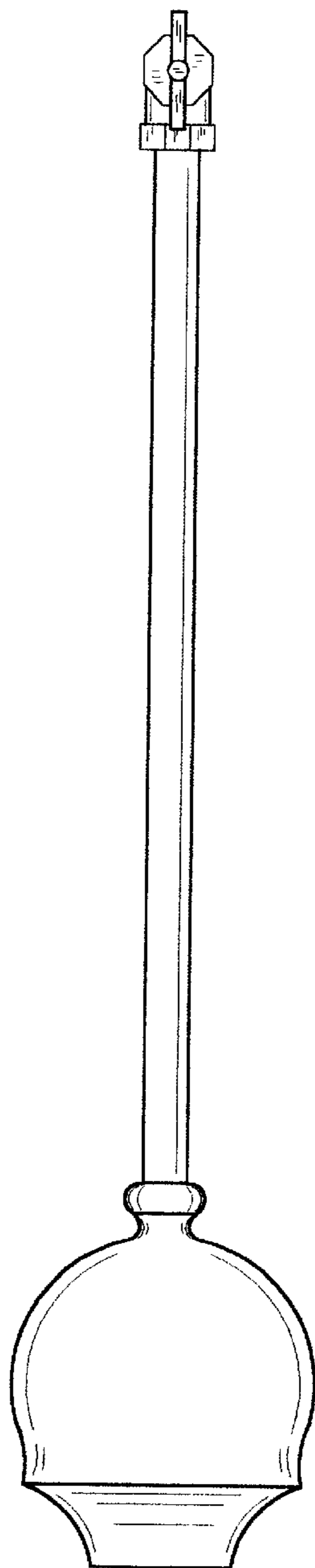


FIG. 2

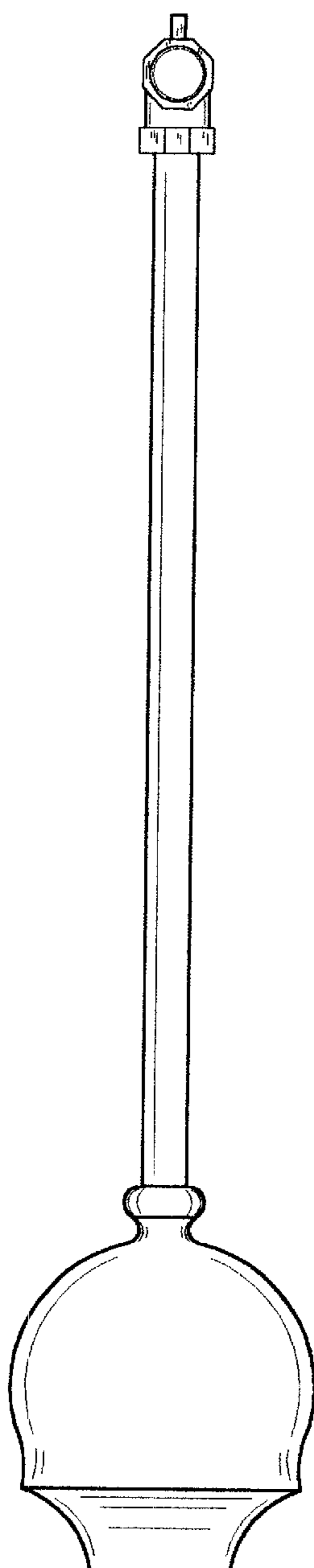


FIG. 3

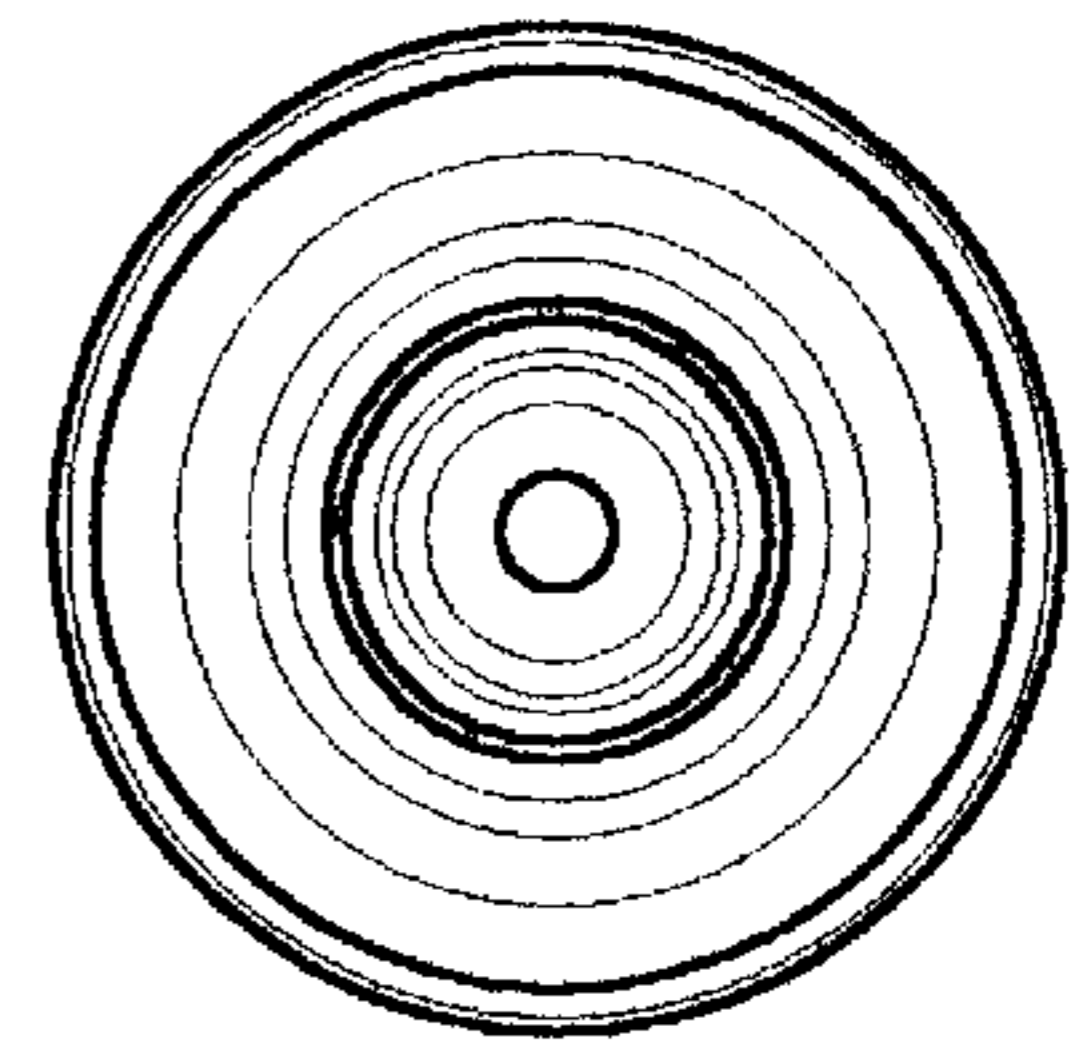


FIG. 4

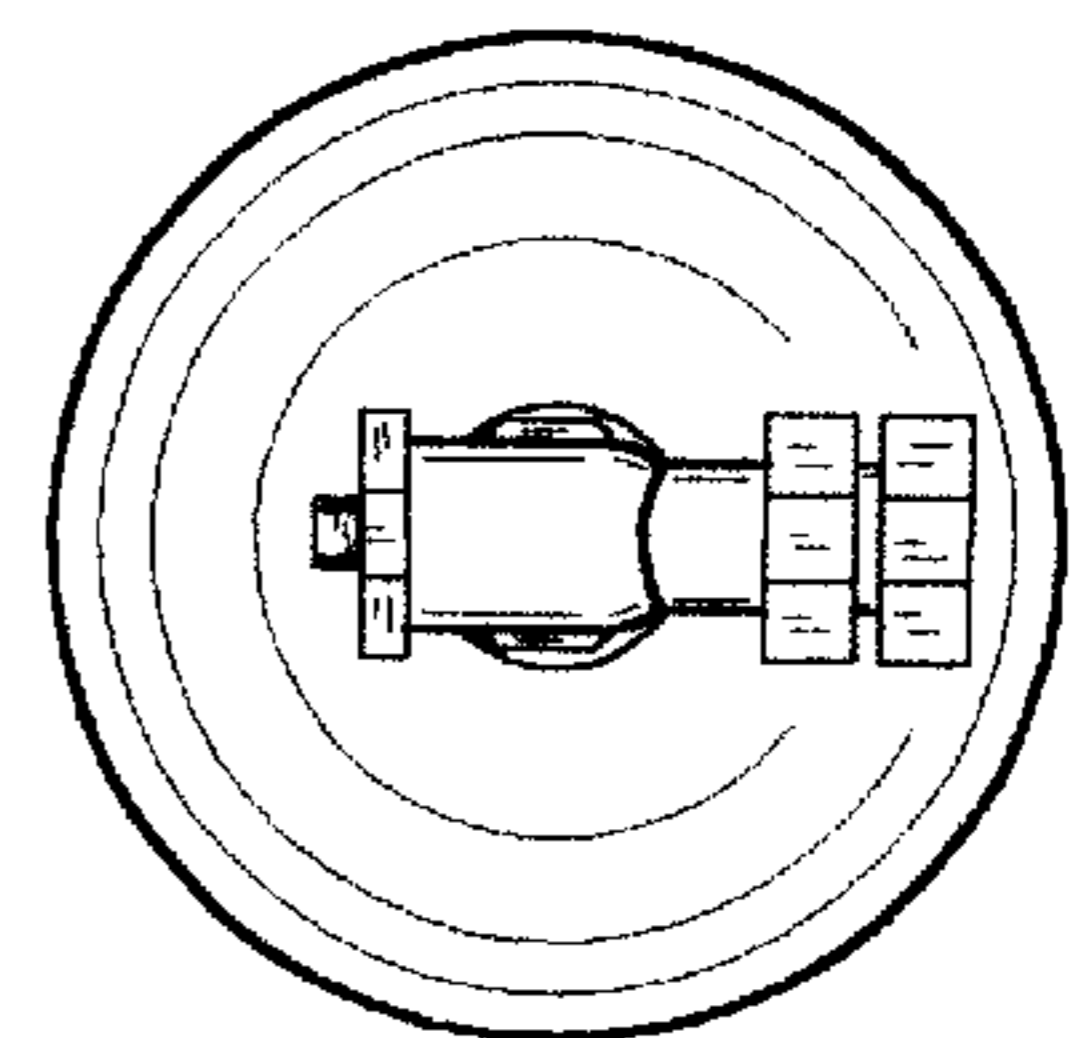


FIG. 5