



US00D464772S

(12) **United States Design Patent**
Wurzberg et al.

(10) **Patent No.:** **US D464,772 S**

(45) **Date of Patent:** **** Oct. 22, 2002**

(54) **SOAP BAR WITH INTEGRAL CROSS**

(75) Inventors: **Edward Wurzberg**, Delray Beach, FL (US); **Rosalie Wurzberg**, Delray Beach, FL (US)

(73) Assignee: **Ed Row Enterprises, Inc.**, Delray Beach, FL (US)

(**) Term: **14 Years**

(21) Appl. No.: **29/153,256**

(22) Filed: **Oct. 29, 2001**

(51) **LOC (7) Cl.** **28-02**

(52) **U.S. Cl.** **D28/8.2**

(58) **Field of Search** D28/8.1, 8.2; D1/106, D1/114; D9/307, 333; D11/96; D5/21, 30, 63; 510/133, 137-149, 440, 445-448; 428/13

(56) **References Cited**

U.S. PATENT DOCUMENTS

683,181	A	*	9/1901	Mereness	510/440
1,791,359	A	*	2/1931	Henriksen	510/146
2,292,359	A	*	8/1942	Block	510/146
3,936,384	A	*	2/1976	Williams	510/146
5,869,437	A	*	2/1999	Wolfersberger	510/147
5,894,020	A	*	4/1999	Concha	510/137 X
D415,590	S		10/1999	Freeman	D28/8.2
D423,716	S		4/2000	Freeman	D28/8.2
D452,039	S		12/2001	Freeman et al.	D28/8.2
D452,042	S		12/2001	Freeman et al.	D28/8.2
6,403,543	B1	*	6/2002	George	510/147

FOREIGN PATENT DOCUMENTS

GB 18925 * 8/1906

OTHER PUBLICATIONS

Bramble Berry Soap Making Supplies: Soap Stamps from Milky Way, <http://www.brambleberry.com/stamps.html>.
Frutiger, Adrian. Signs and Symbols: Their Design and Meaning, translated by Andrew Bluhm. New York: Watson-Guptill Publications 1998. pp. 272-273: crosses #11.*

* cited by examiner

Primary Examiner—Ted Shooman

Assistant Examiner—C. Tuttle

(74) *Attorney, Agent, or Firm*—Jose Gutman; Fleit, Kain, Gibbons, Gutman & Bongini P.L.

(57) **CLAIM**

The ornamental design for a soap bar with integral cross, as shown and described.

DESCRIPTION

FIG. 1 is a front perspective view of a first embodiment of a soap bar with integral cross showing our new design thereof;

FIG. 2 is a reduced scale front elevational view of the first embodiment, the rear elevational view being a mirror image of the front elevational view;

FIG. 3 is a top view thereof, the bottom view being a mirror image of the top view; and

FIG. 4 is a right side elevational view thereof, the left side elevational view being a mirror image of the right side elevational view.

FIG. 5 is a front perspective view of a second embodiment of a soap bar with integral cross showing our new design thereof;

FIG. 6 is an enlarged scale front perspective view of the second embodiment with broken lines indicating the integral cross environment;

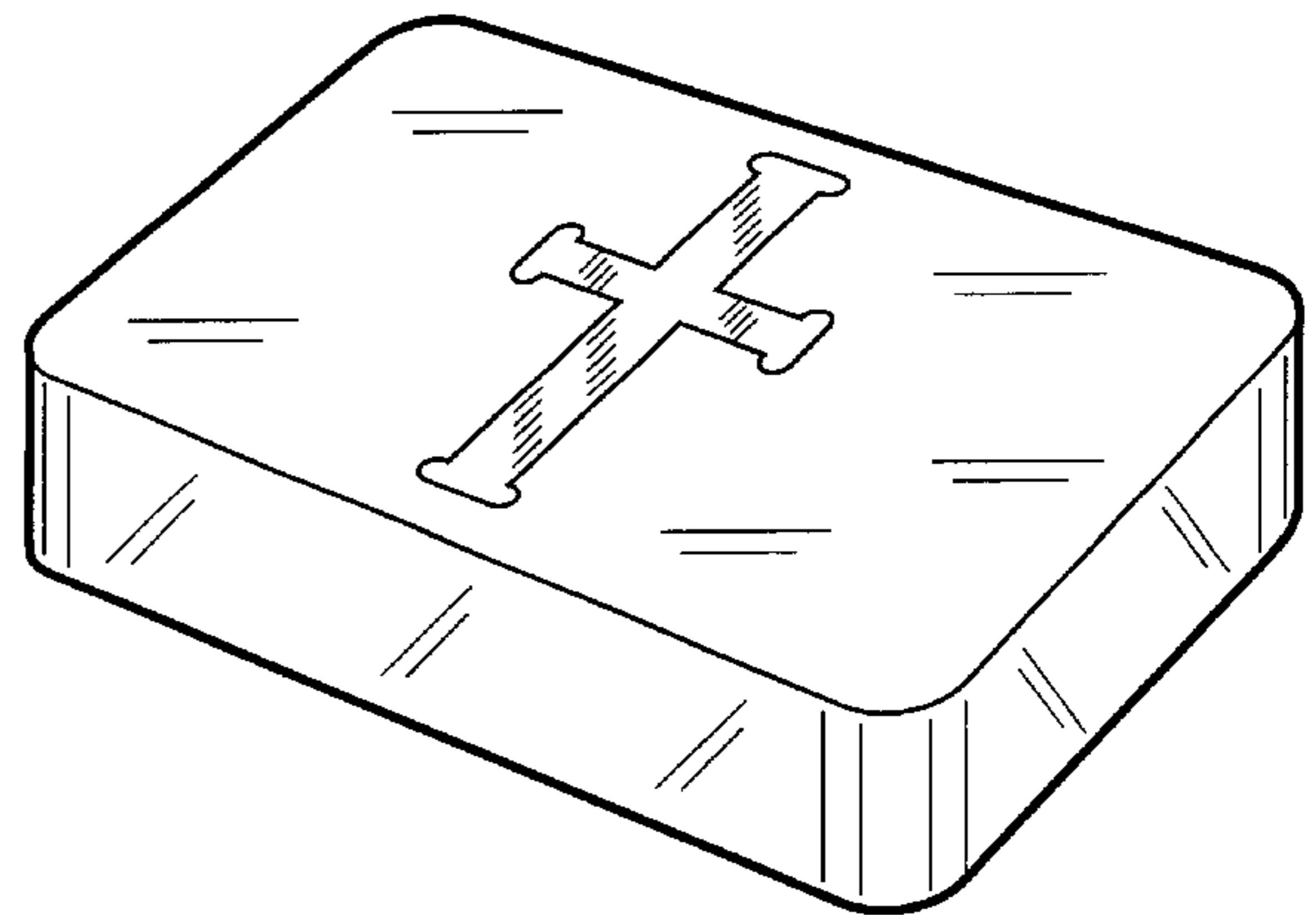
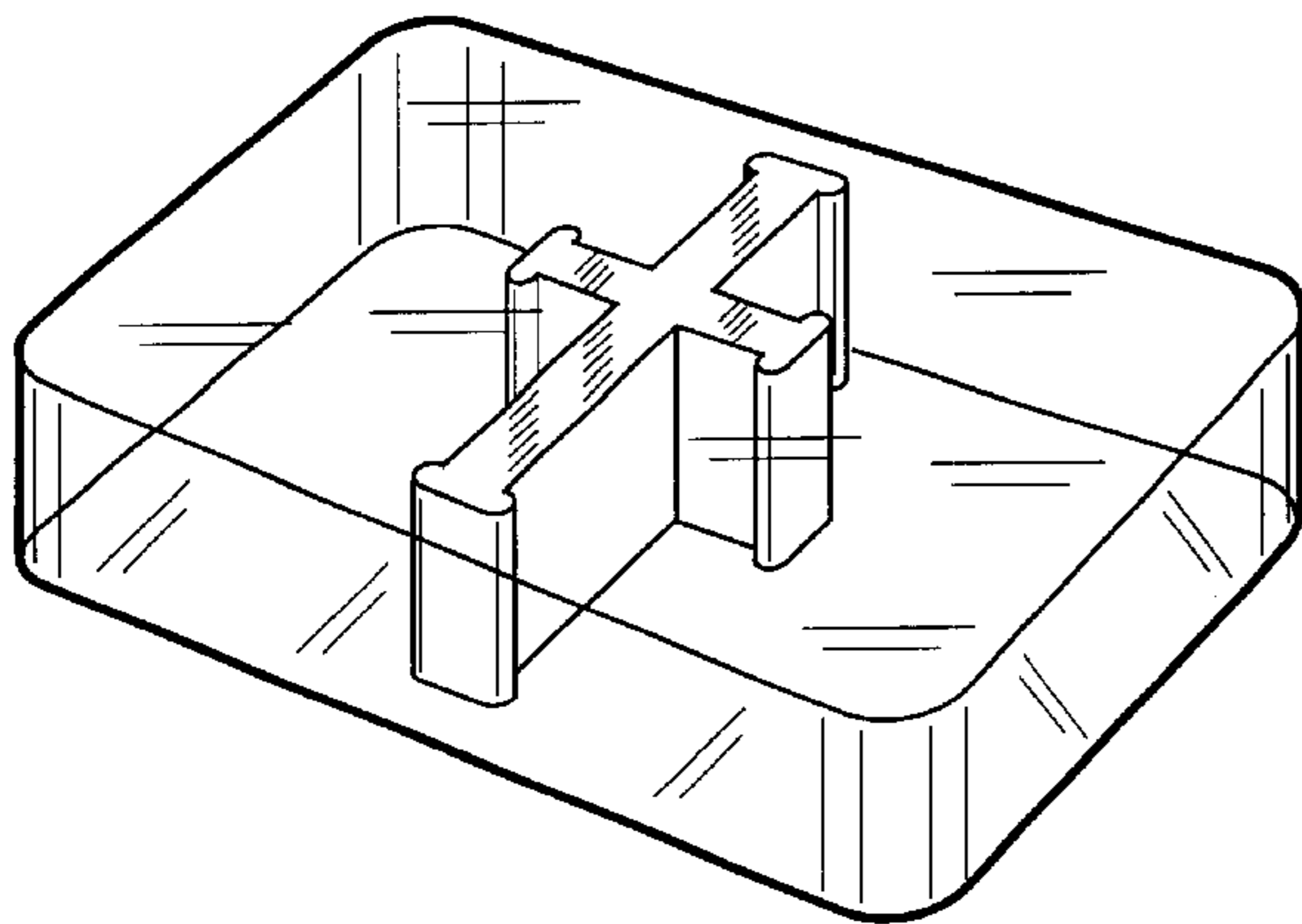
FIG. 7 is a reduced scale front elevational view of FIG. 5, the rear elevational view being a mirror image of the front elevational view;

FIG. 8 is a top view thereof, the bottom view being a mirror image of the top view; and,

FIG. 9 is a right side elevational view thereof, the left side elevational view being a mirror image of the right side elevational view.

The broken lines in FIG. 6 are for illustrative purposes only to indicate environment and form no part of the claimed design.

1 Claim, 5 Drawing Sheets



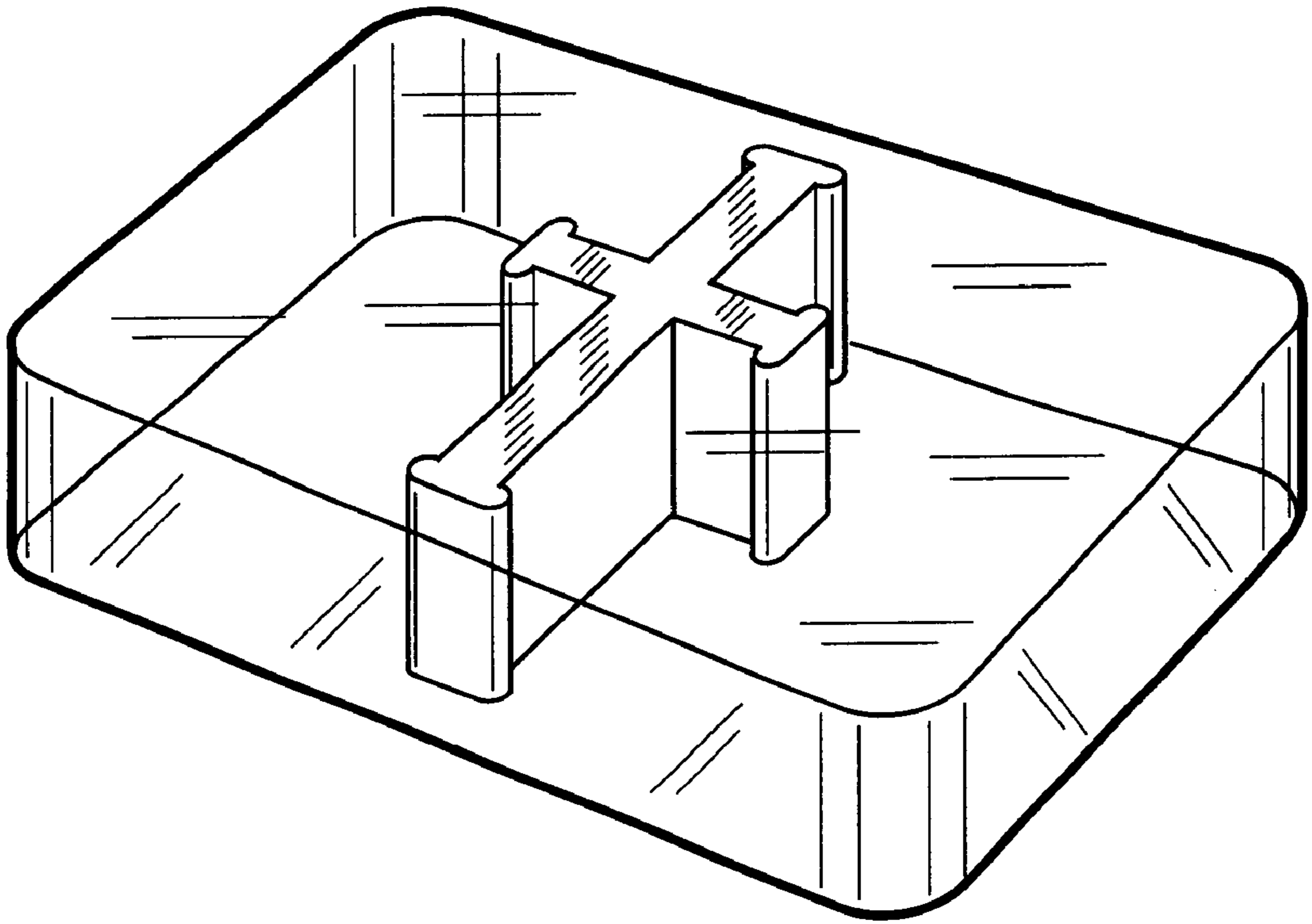


FIG. 1

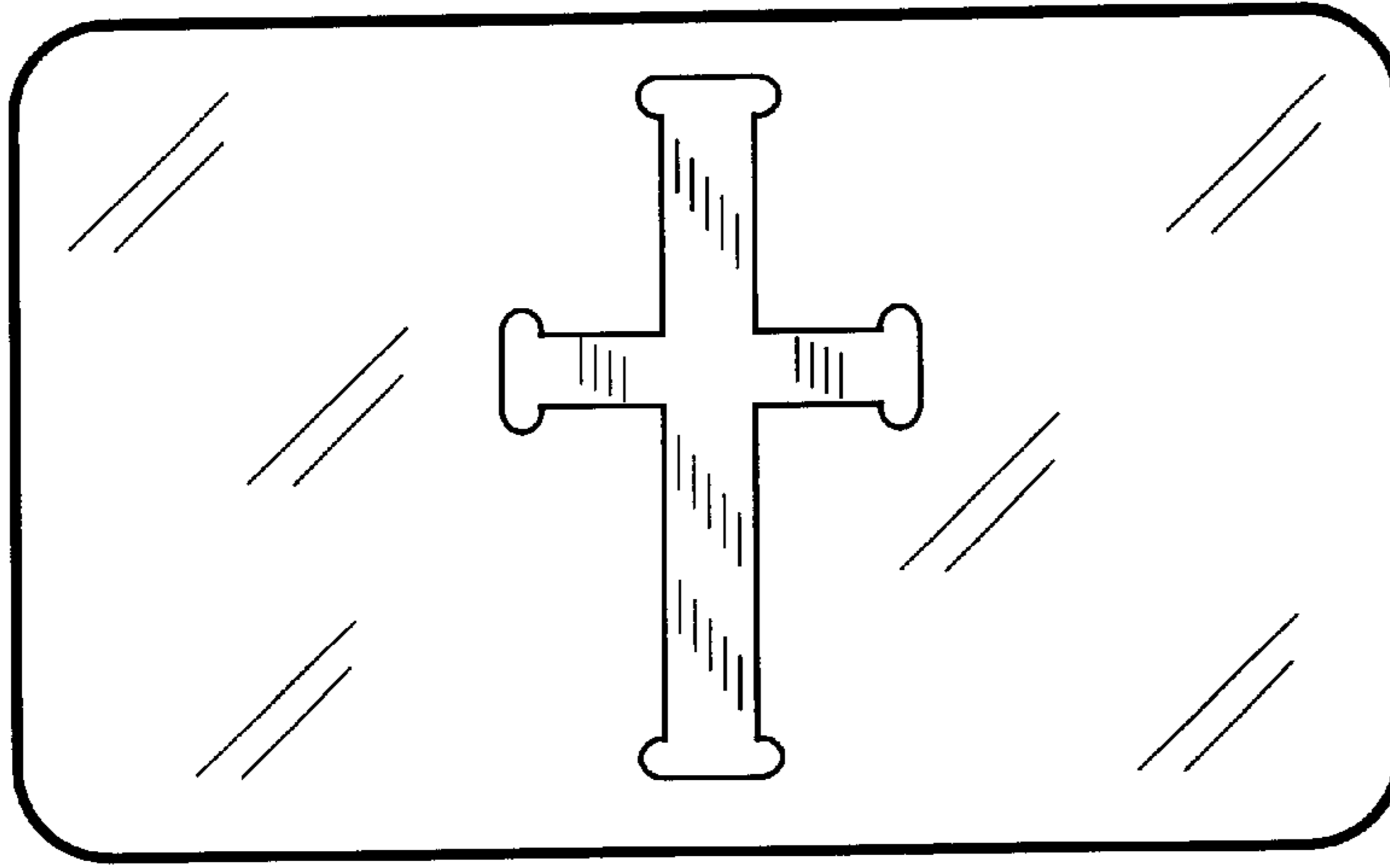


FIG. 2

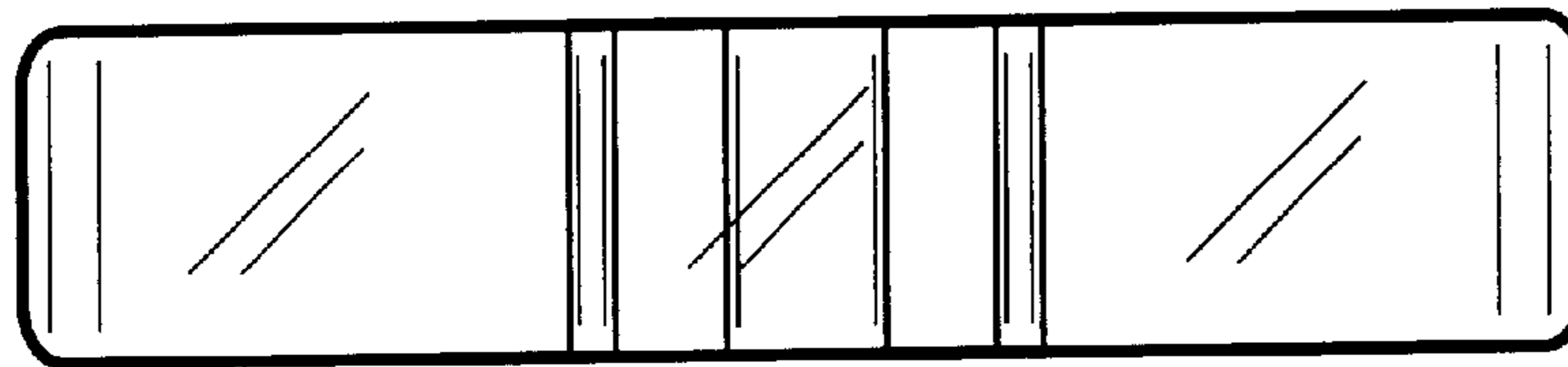


FIG. 3

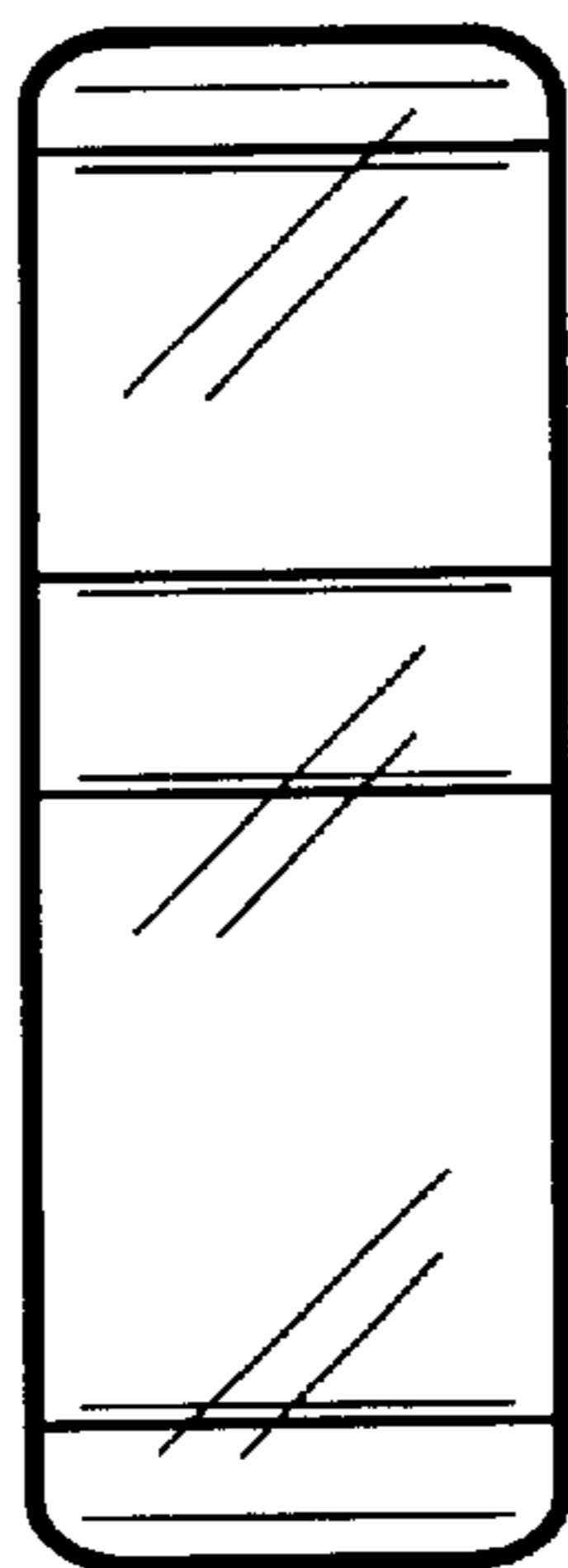


FIG. 4

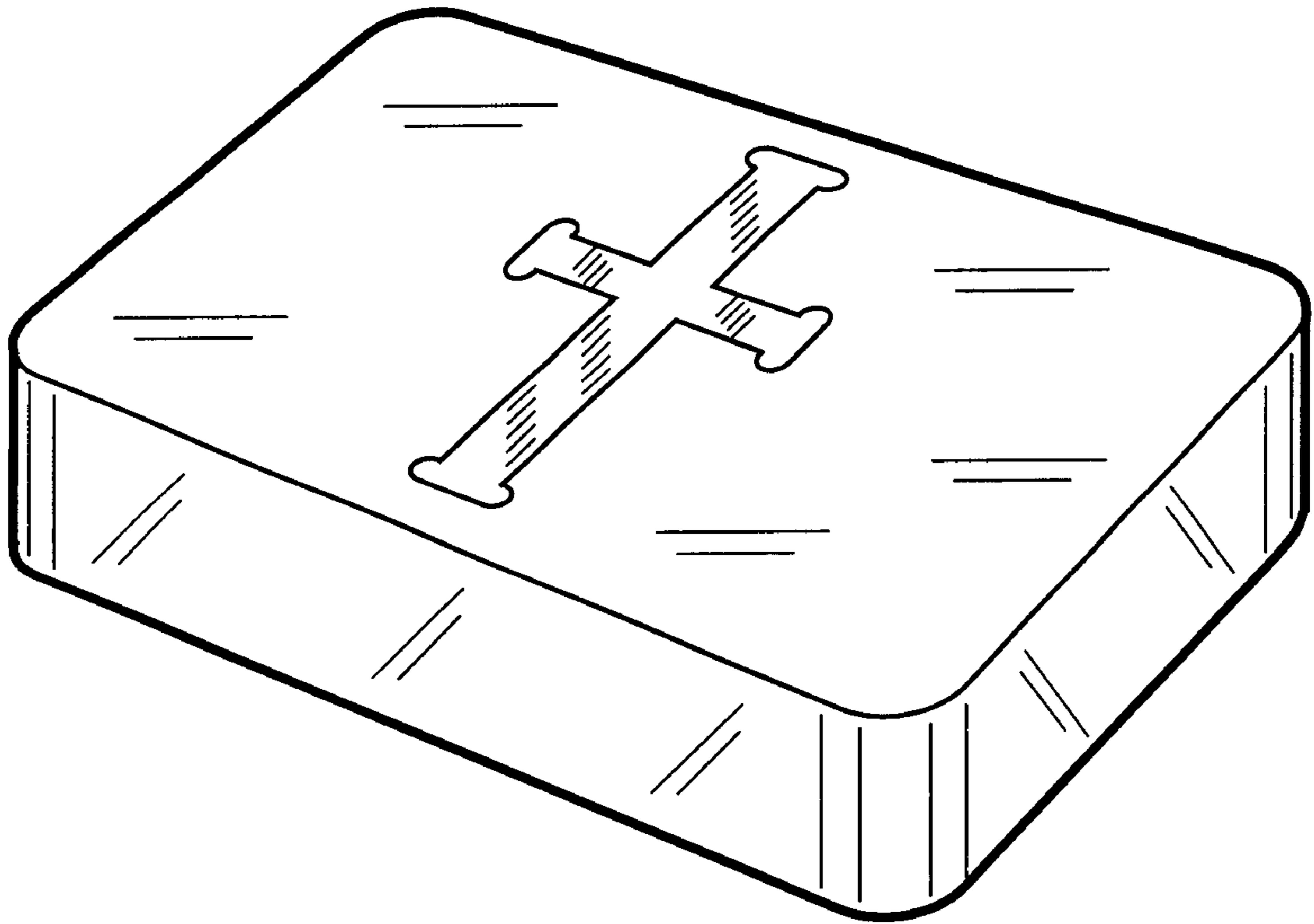


FIG. 5

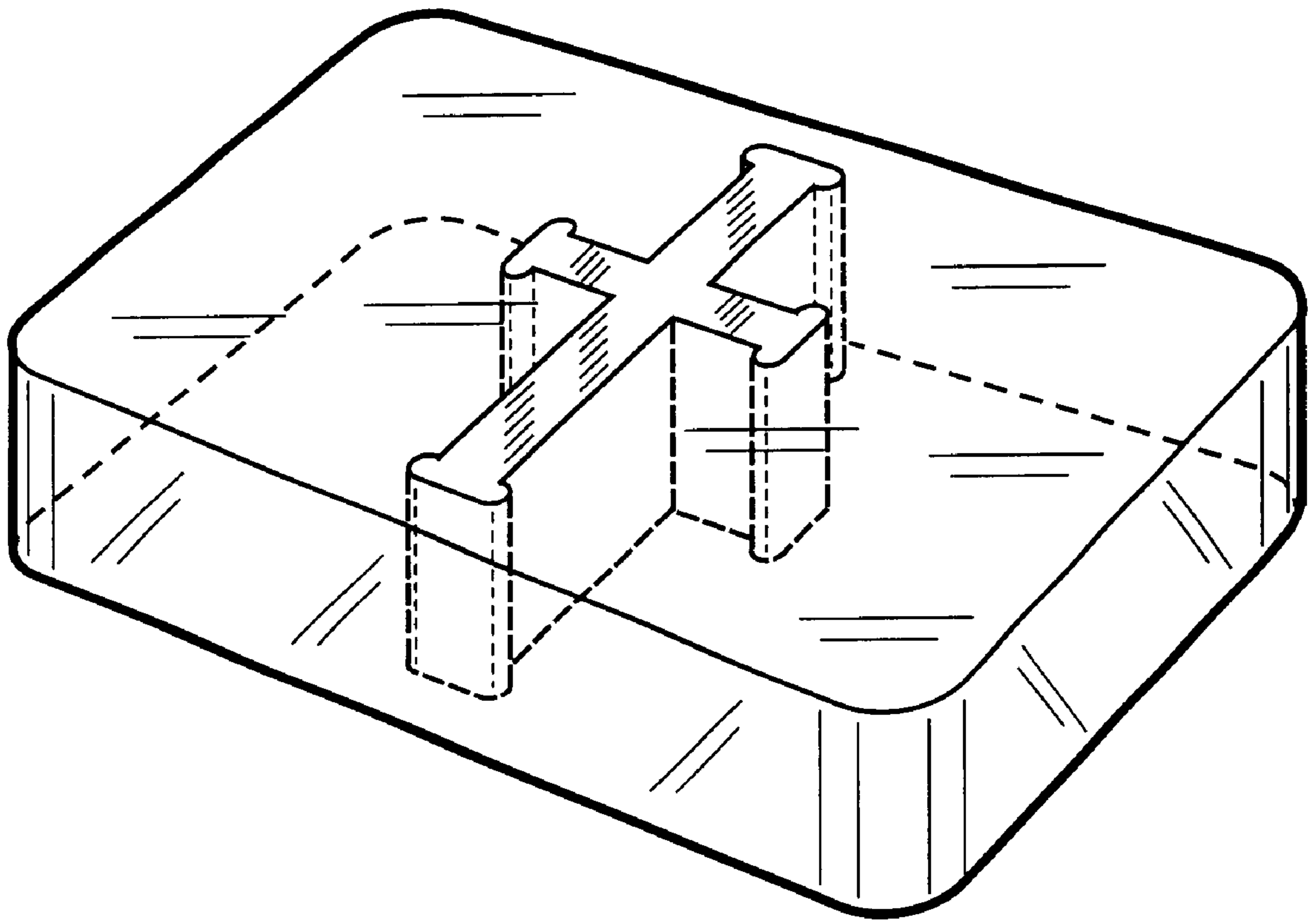


FIG. 6

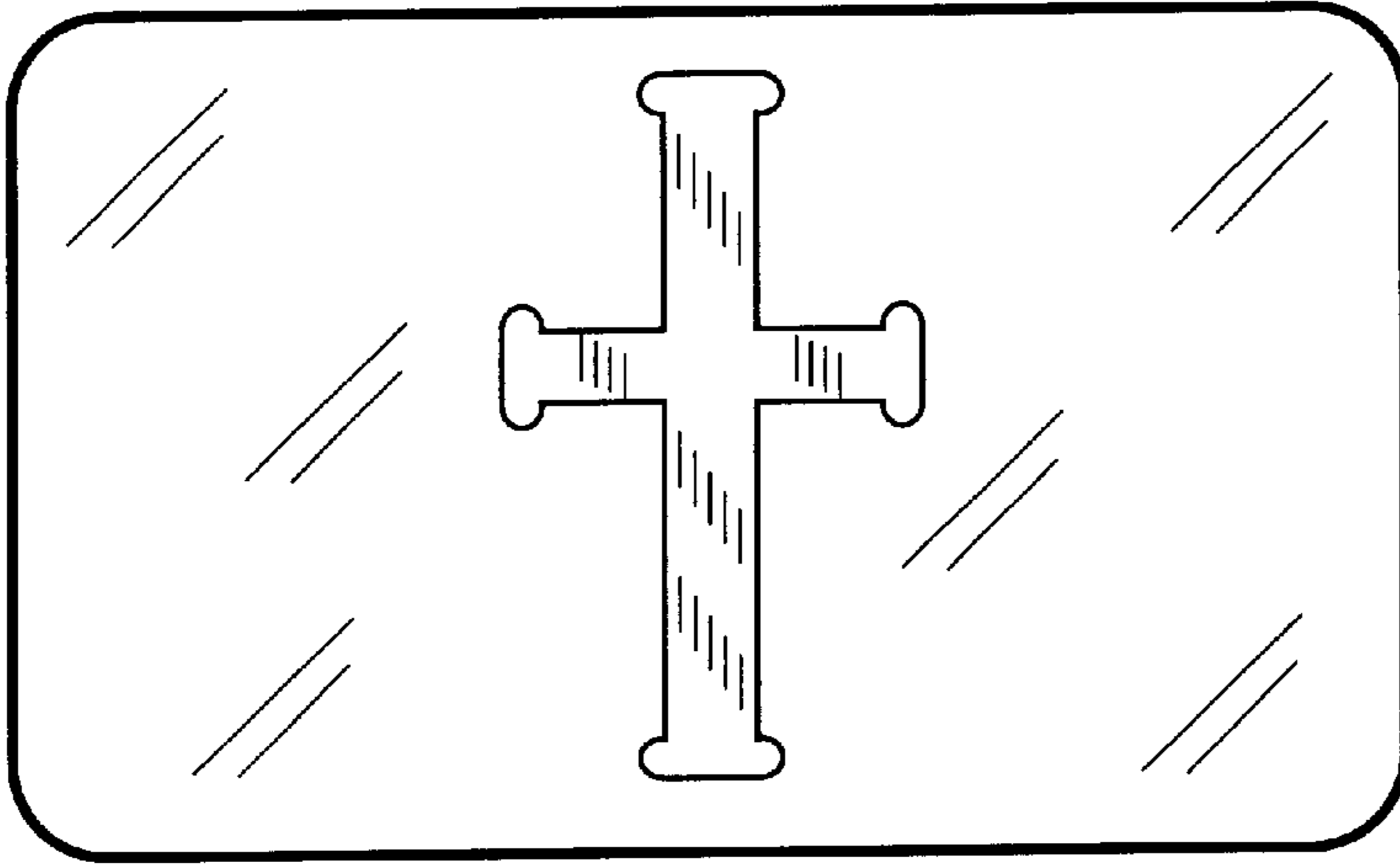


FIG. 7

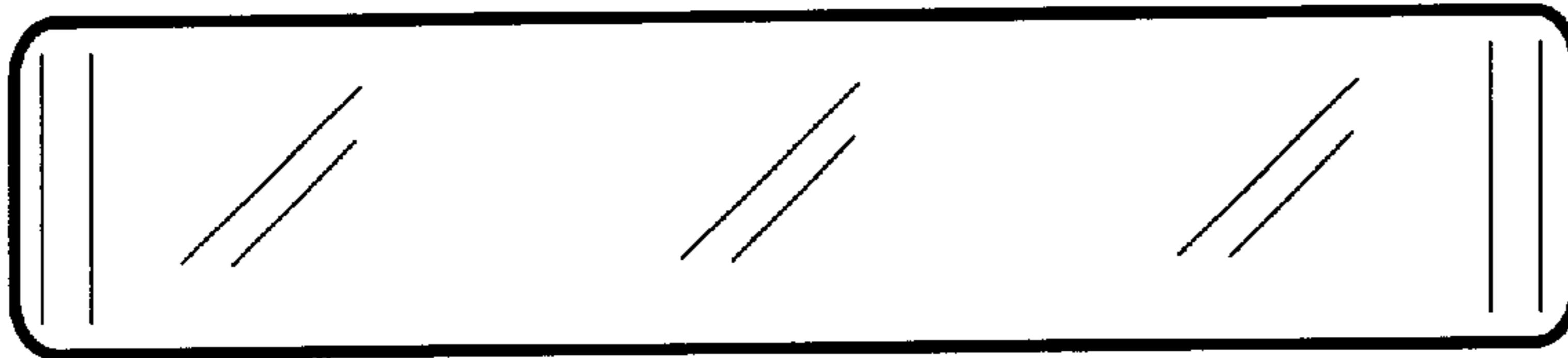


FIG. 8

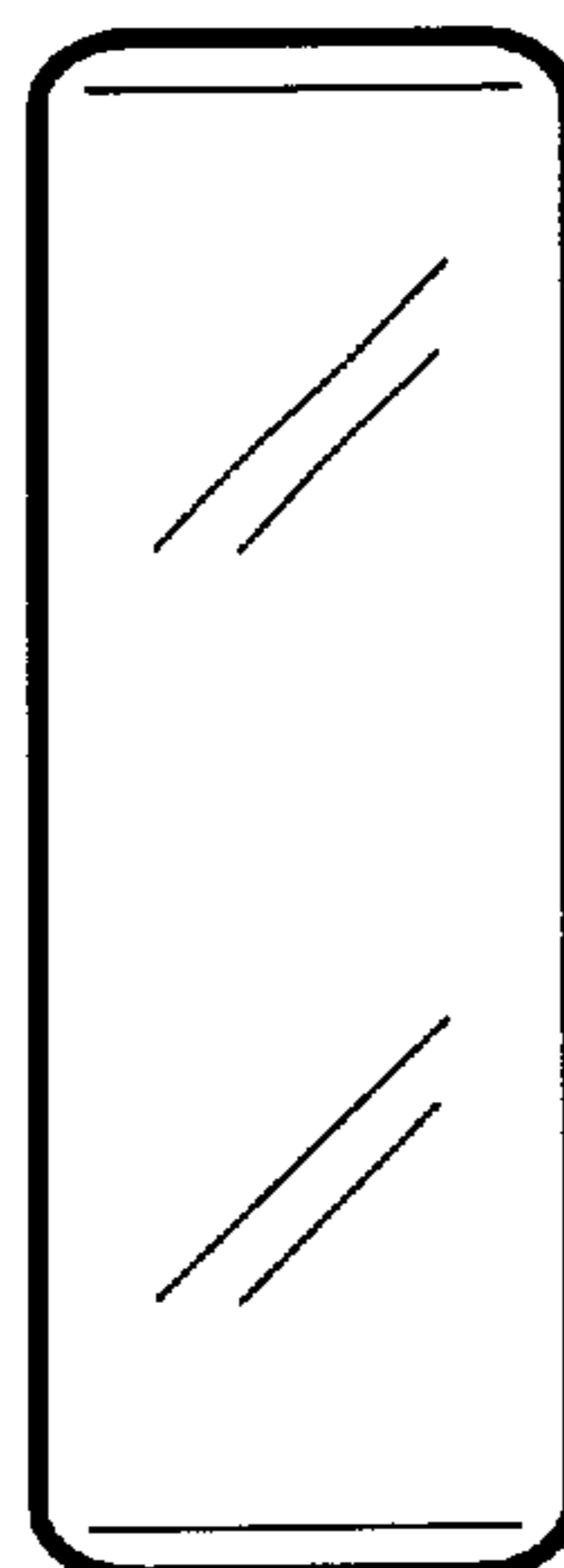


FIG. 9