



US00D464766S

(12) **United States Design Patent** (10) **Patent No.:** **US D464,766 S**
De'Armond et al. (45) **Date of Patent:** **** Oct. 22, 2002**

(54) **LAMP HOUSING**

(75) Inventors: **Robert De'Armond**, Temecula, CA (US); **Tammy Harper Williams**, Scottsdale, AZ (US)

(73) Assignee: **Minka Lighting, Inc.**, Corona, CA (US)

(**) Term: **14 Years**

(21) Appl. No.: **29/148,159**

(22) Filed: **Sep. 13, 2001**

(51) **LOC (7) Cl.** **26-99**

(52) **U.S. Cl.** **D26/129; D26/87**

(58) **Field of Search** D26/72, 80, 85-87, D26/92, 67, 118, 128, 129; 362/147, 432, 404-408, 362, 363

(56) **References Cited**

U.S. PATENT DOCUMENTS

D438,660 S * 3/2001 De'Armond D26/72

OTHER PUBLICATIONS

Taiwan Lighting Aug. 2000, p. 98, "Aspire".*

Fine Art Lamps' 2000 Catalog, (c)2000, p. 42, item #834749

"Moroccan Mystique".*

Fine Art Lamps' 2000 Catalog (c)2000, p. 104, item #827549, "Chateau".*

U.S. patent application Ser. No. 29/148,157 filed Sep. 13, 2001, Robert De'Armond and Tammy Harper Williams.

U.S. patent application Ser. No. 29/148,158 filed Sep. 13, 2001, Robert De'Armond and Tammy Harper Williams.

Minka Lighting, Inc.; The Great Outdoors by Minka-Lavery Two Thousand One; Jun. 18, 2001; pp. 6, 7; Minka Lighting, Inc.; U.S.A.

* cited by examiner

Primary Examiner—Alan P. Douglas

Assistant Examiner—Clare E. Heflin

(74) *Attorney, Agent, or Firm*—Jenkins & Gilchrist, P.C.

(57) **CLAIM**

The ornamental design for the lamp housing, as shown and described.

DESCRIPTION

FIG. 1 is a side elevation view of the lamp housing in accordance with my design, illustrating a possible environment for the lamp;

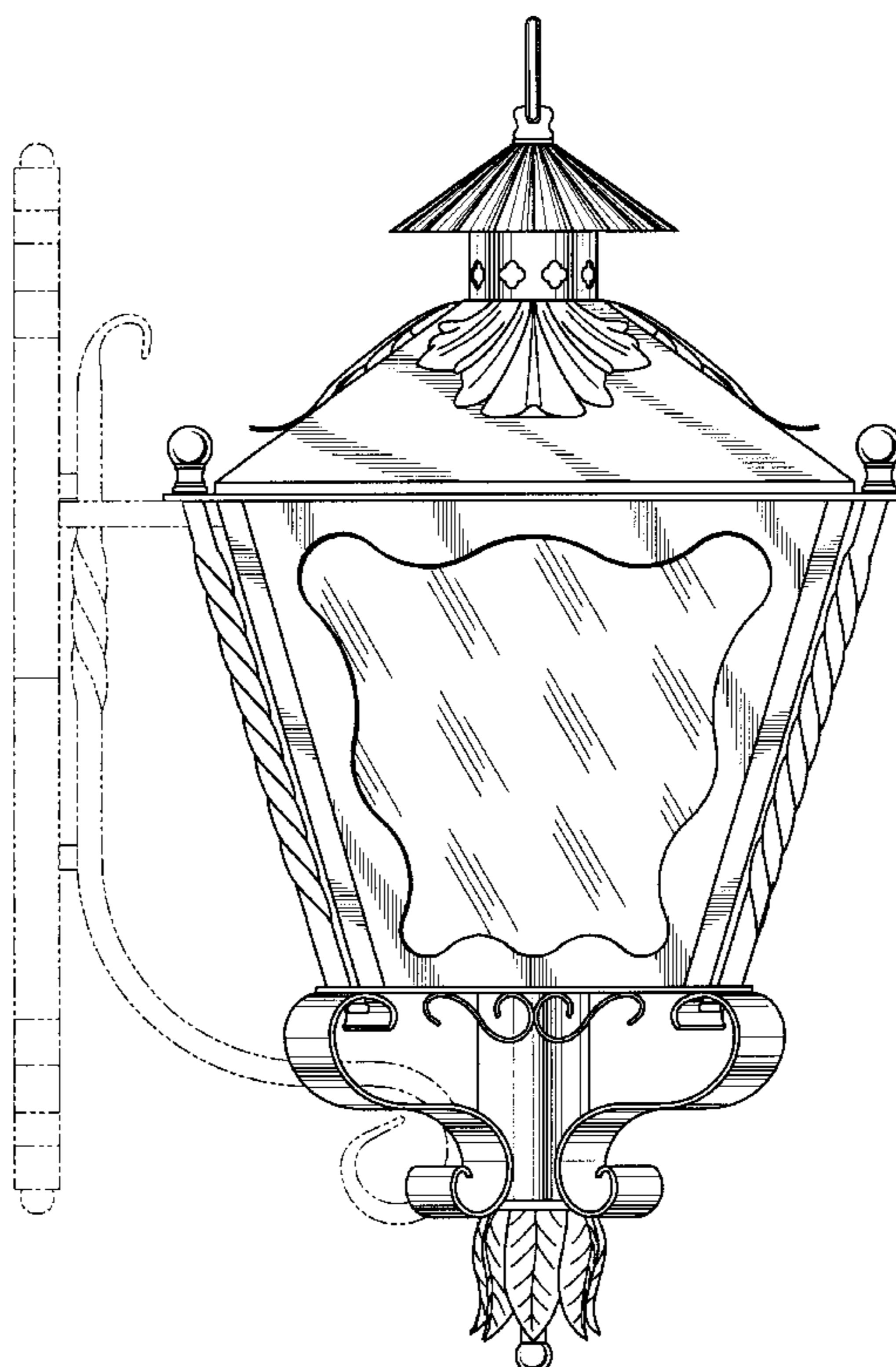
FIG. 2 is a front elevation view of the lamp housing in accordance with my design;

FIG. 3 is a top plan view of the lamp housing in accordance with my design; and,

FIG. 4 is a bottom plan view of the lamp housing in accordance with my design.

The right and left elevational views are substantially identical and the front and rear elevation views are substantially identical. The broken lines showing environmental structure are for illustrative purposes only and form no part of the claimed design.

1 Claim, 3 Drawing Sheets



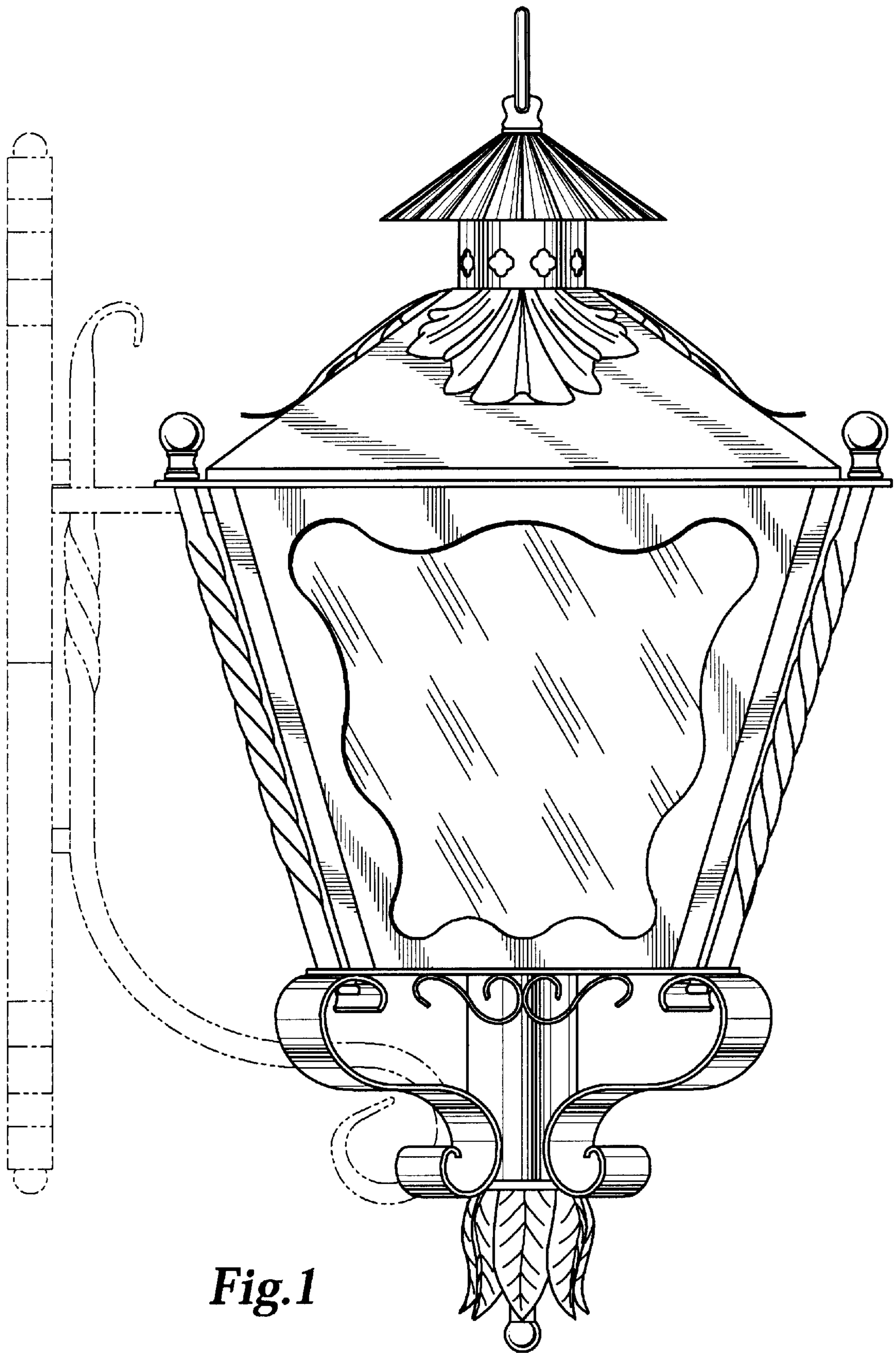


Fig. 1

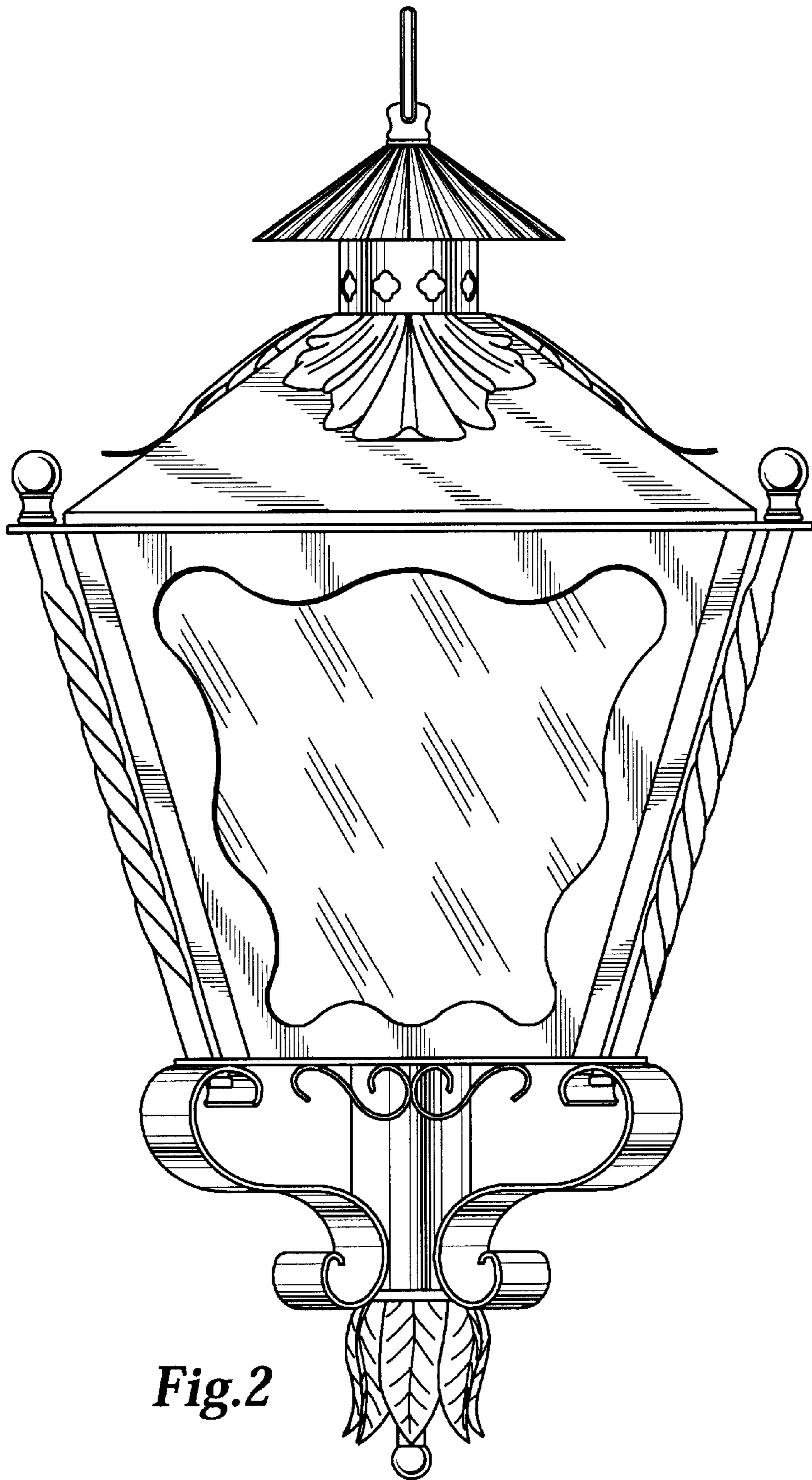


Fig. 2

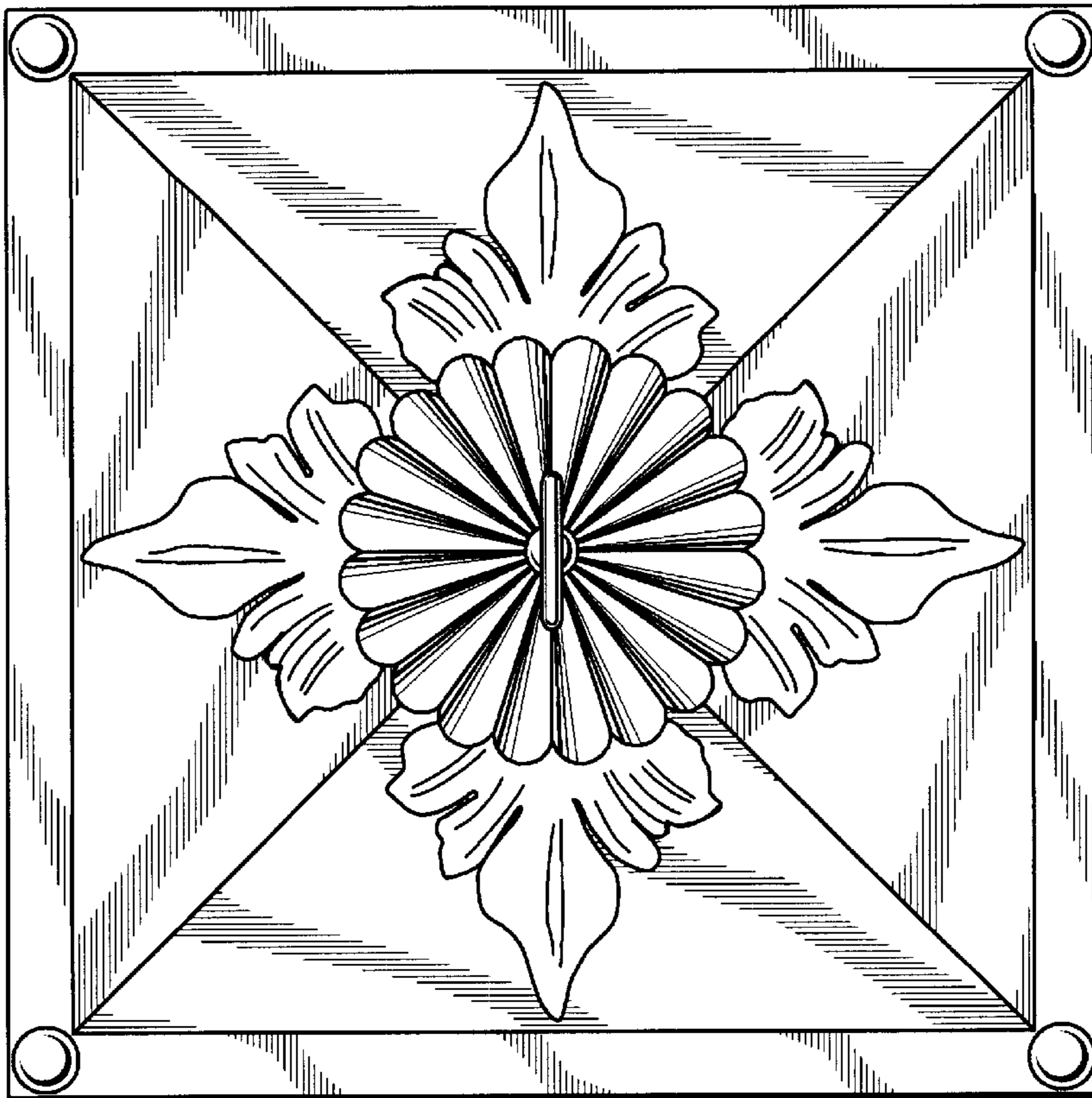


Fig.3

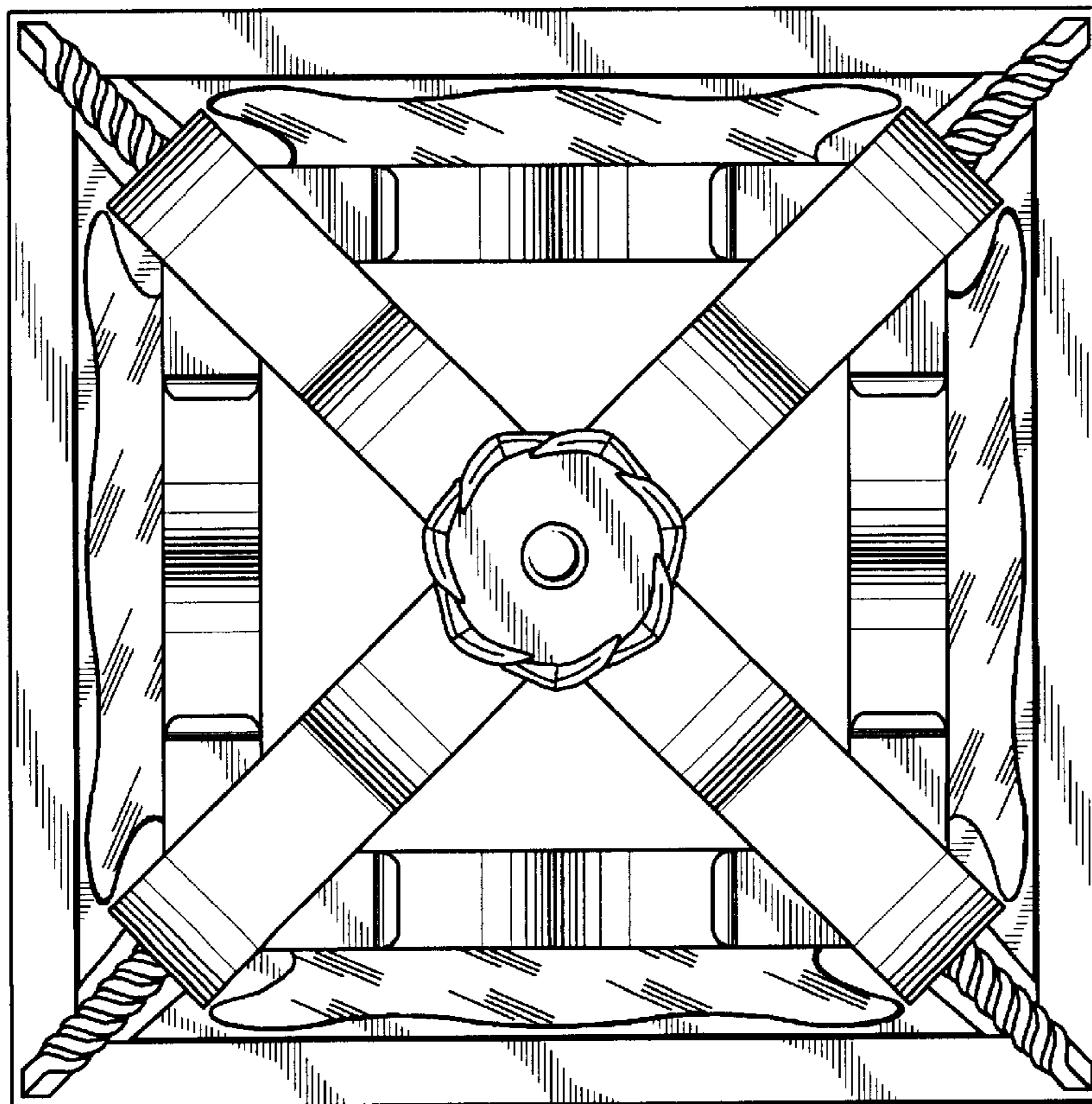


Fig.4