



US00D464764S

(12) **United States Design Patent**
Stephens

(10) **Patent No.:** **US D464,764 S**

(45) **Date of Patent:** **** Oct. 22, 2002**

(54) **LAMP**

(76) **Inventor:** **Peter Stephens**, 753 39th Ave., San Francisco, CA (US) 94121

(**) **Term:** **14 Years**

(21) **Appl. No.:** **29/144,593**

(22) **Filed:** **Jul. 6, 2001**

(51) **LOC (7) Cl.** **26-03**

(52) **U.S. Cl.** **D26/110**

(58) **Field of Search** D26/93-112, 142;
362/410-414, 806

(56) **References Cited**

U.S. PATENT DOCUMENTS

D155,838 S * 11/1949 Richards et al. D26/109

D160,636 S * 10/1950 Lederer D26/142

* cited by examiner

Primary Examiner—Alan P. Douglas

Assistant Examiner—Linda Brooks

(74) *Attorney, Agent, or Firm*—Howard C. Miskin; Gloria Tsui-Yip

(57) **CLAIM**

The ornamental design for a lamp, as shown and described.

DESCRIPTION

FIG. 1 is a perspective of my lamp design;

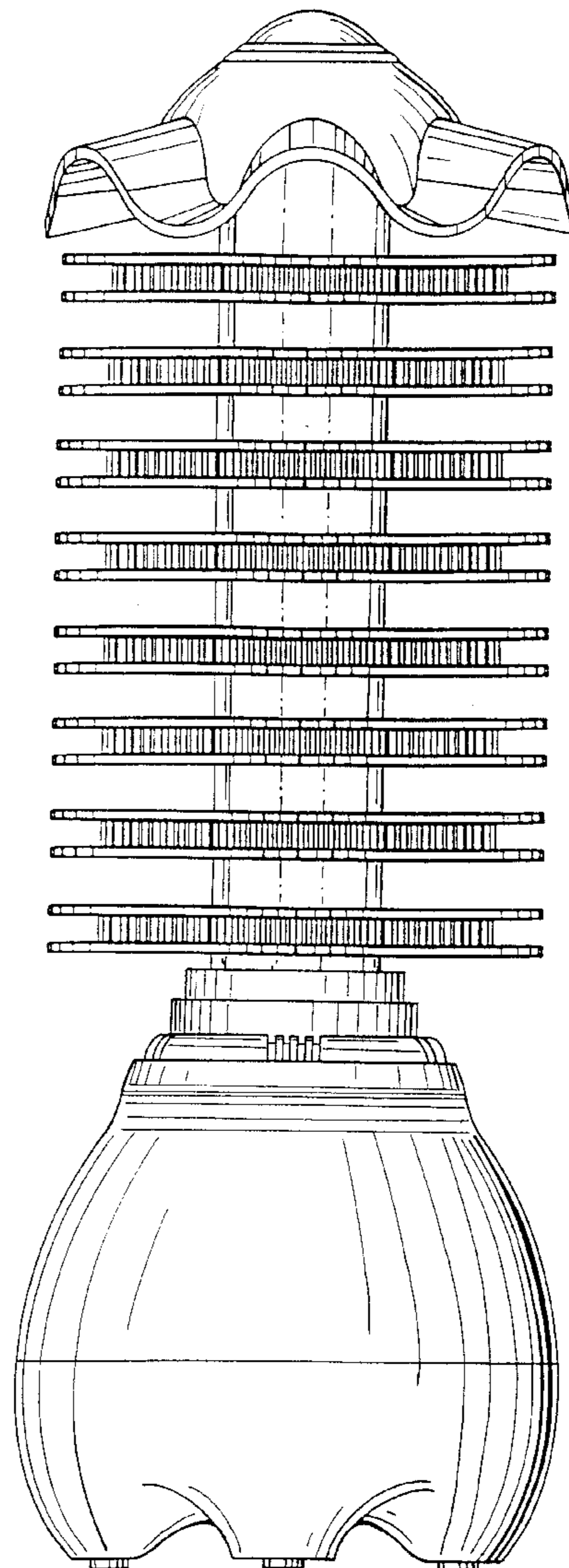
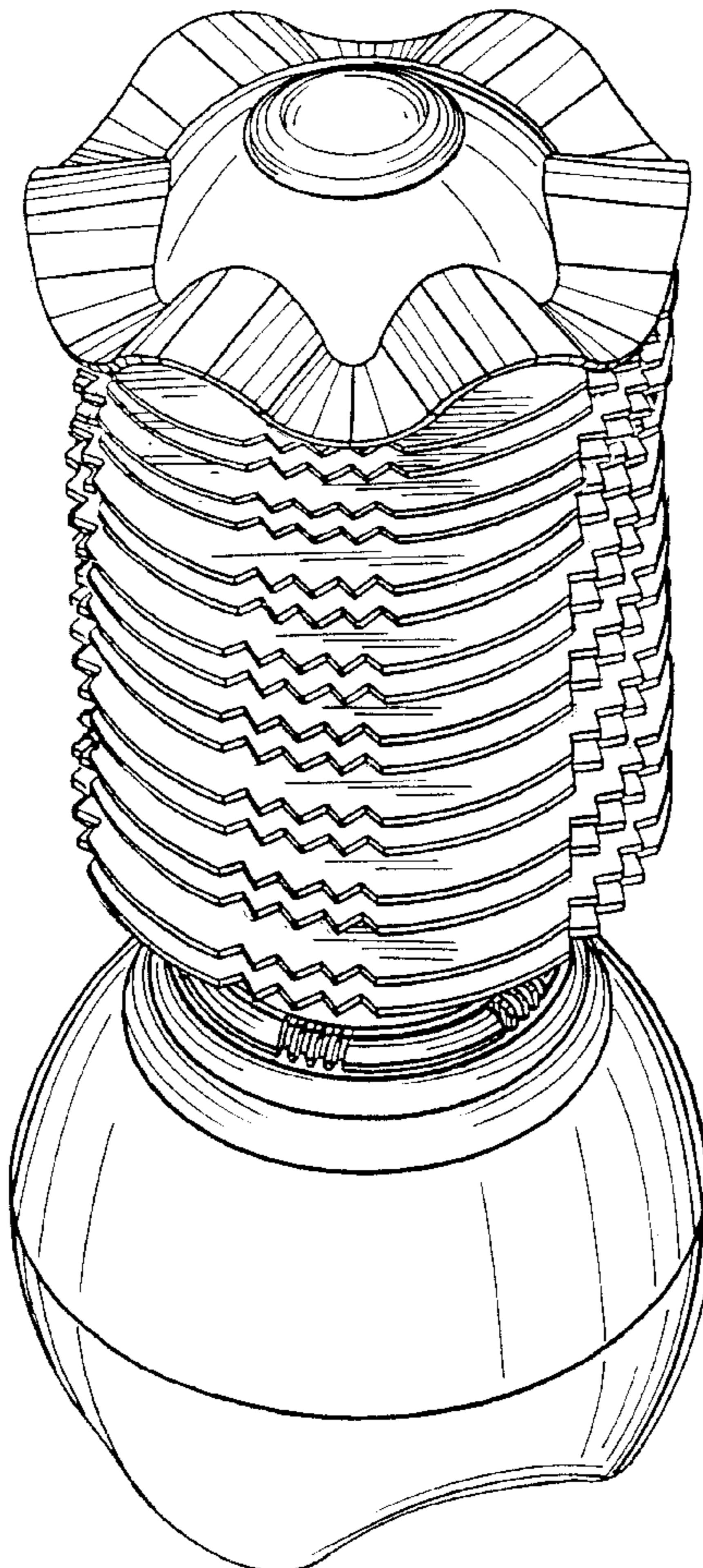
FIG. 2 is a front elevational view thereof, the rear view being a mirror image thereof;

FIG. 3 is a right side elevational view thereof, the left side view being a mirror image thereof;

FIG. 4 is a top plain view thereof; and,

FIG. 5 is a bottom plan view thereof.

1 Claim, 4 Drawing Sheets



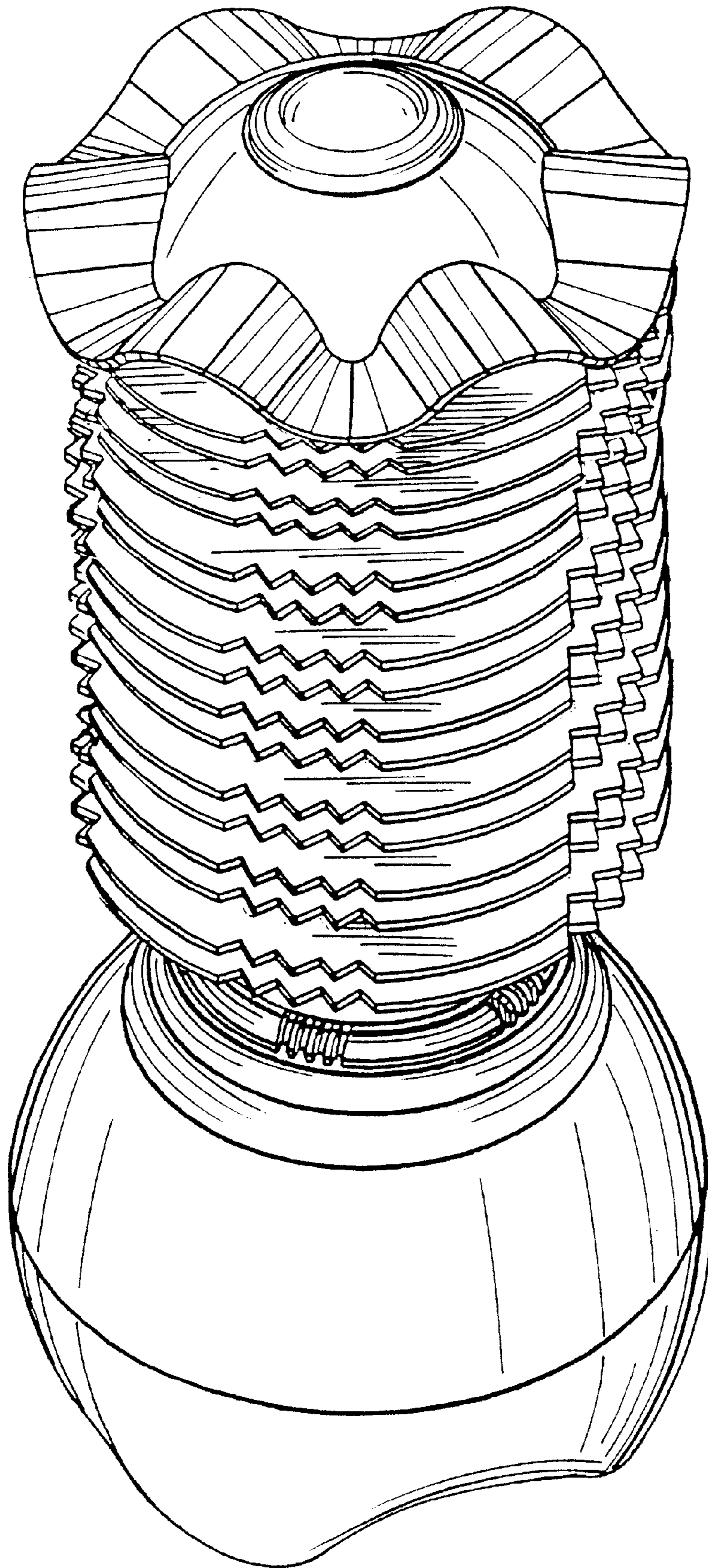


FIG. 1

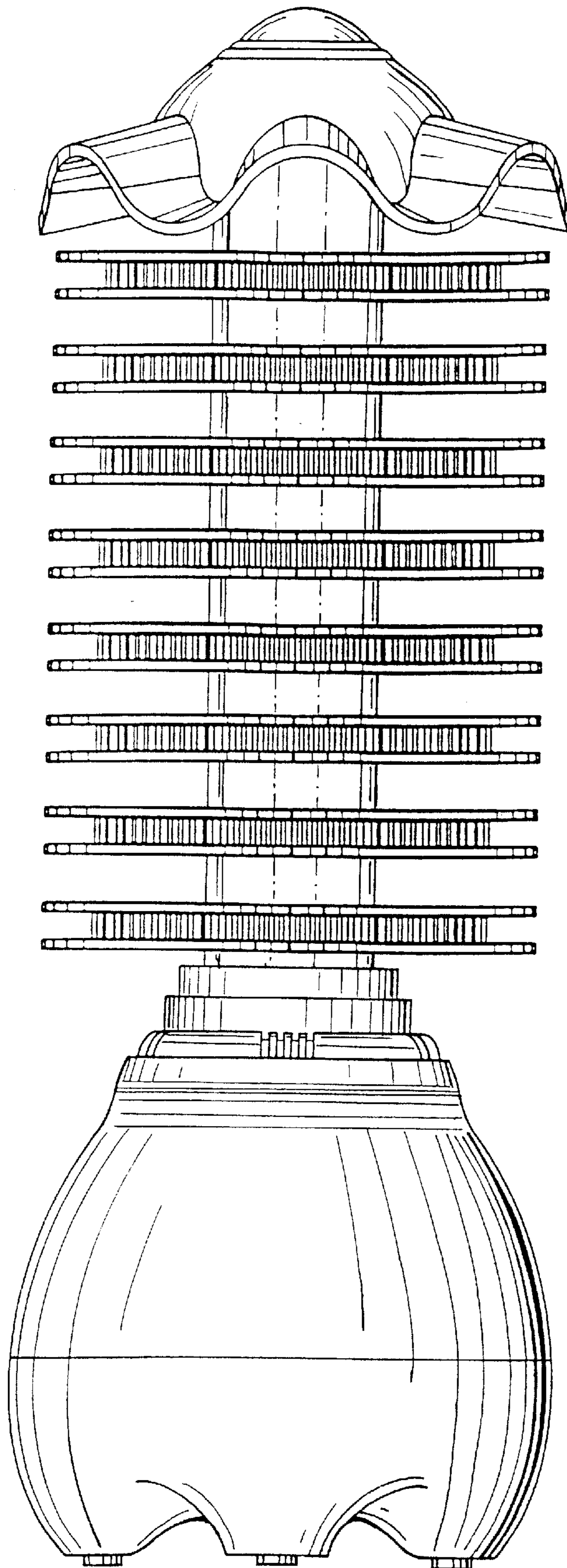


FIG.2

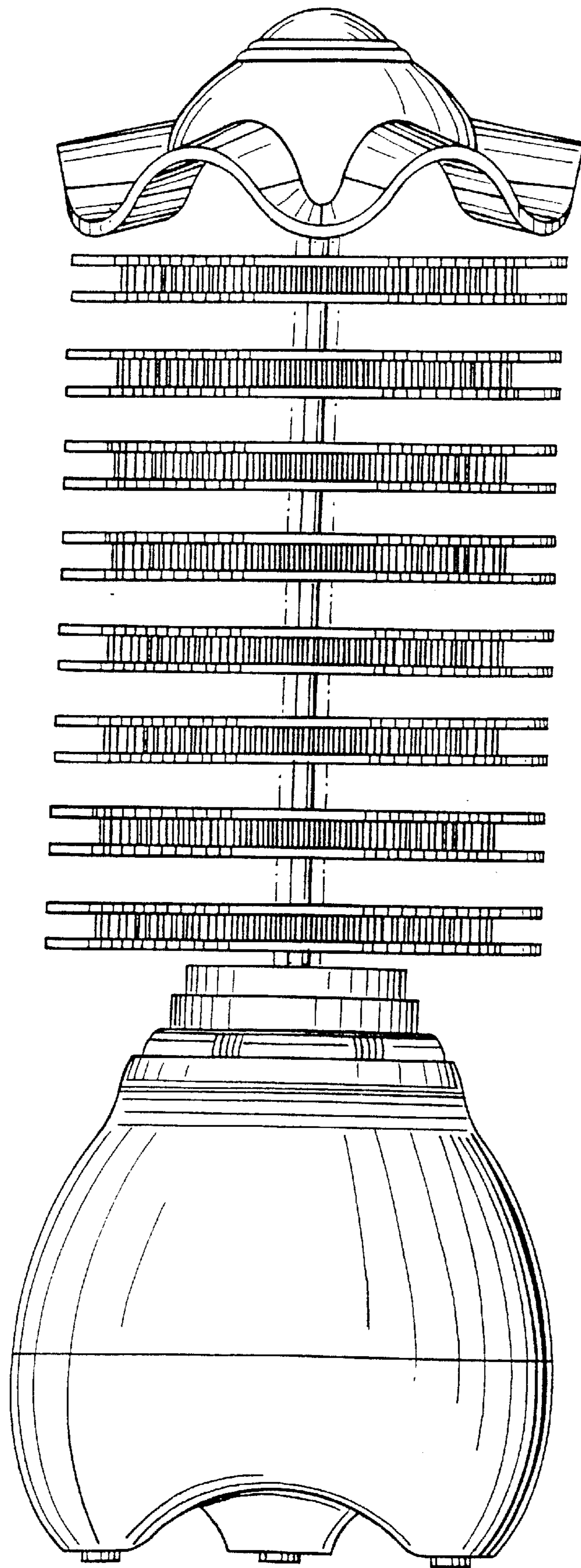


FIG.3

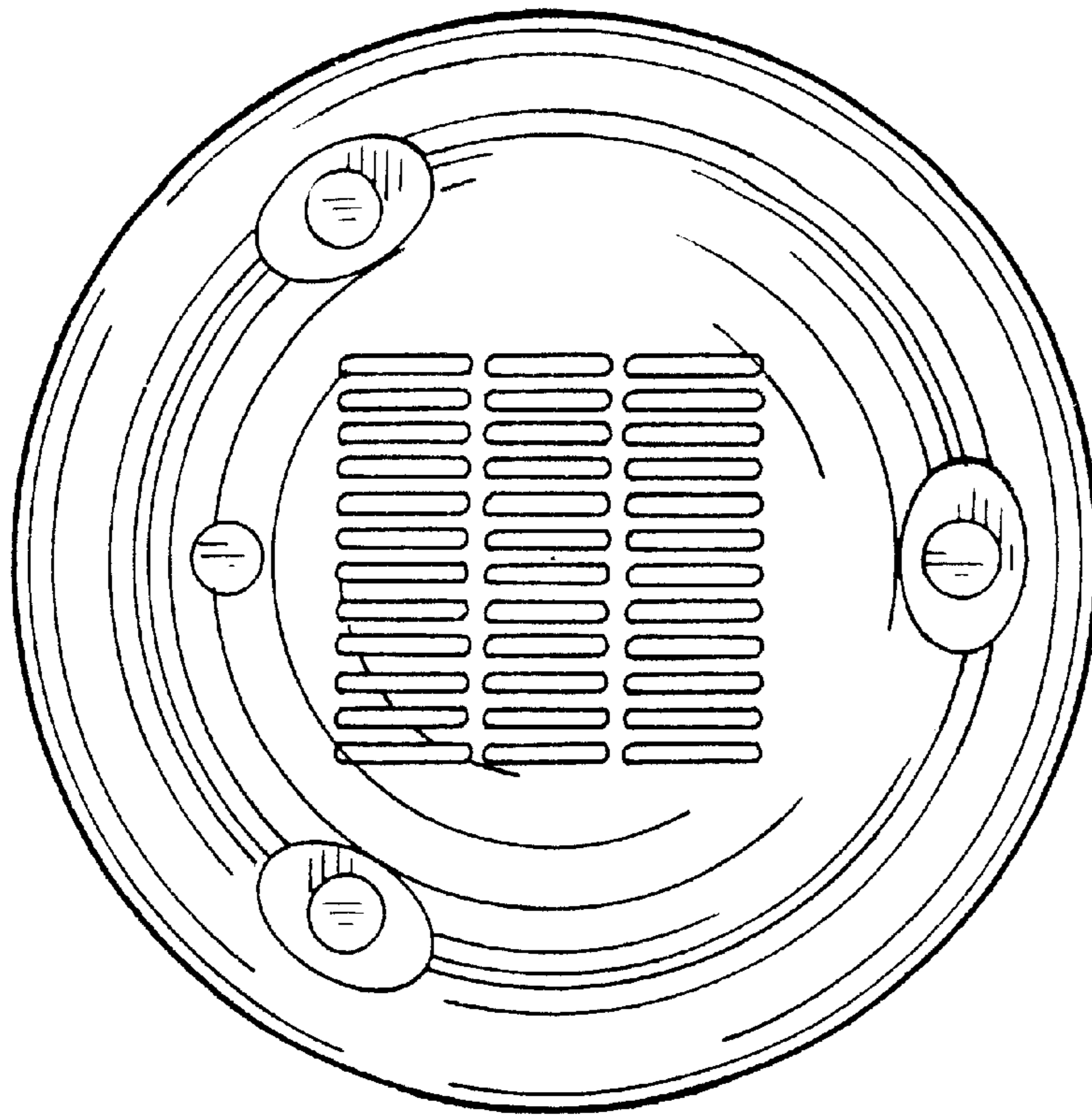


FIG.5

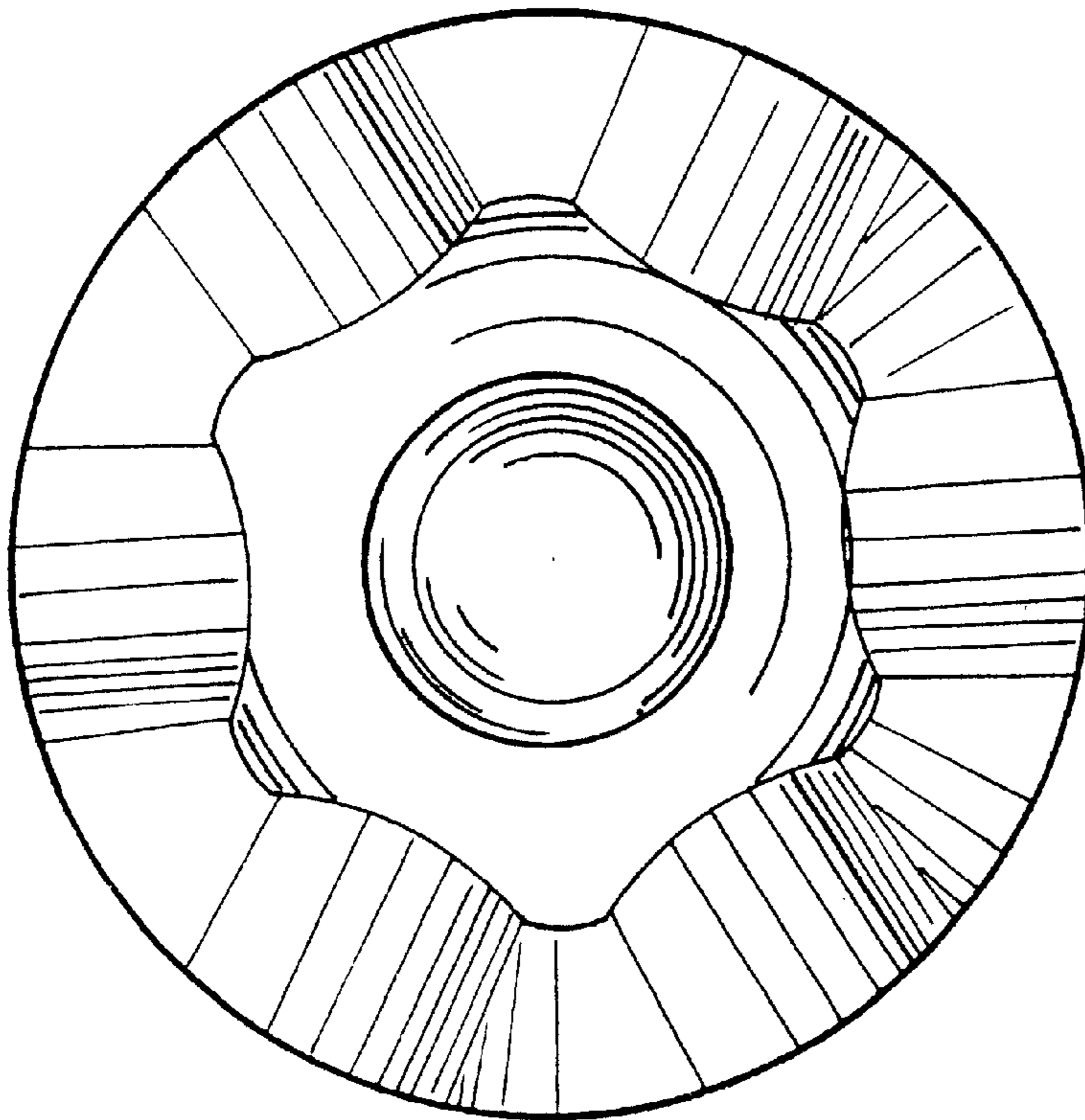


FIG.4