



US00D464759S

(12) **United States Design Patent**  
**Thompson**

(10) **Patent No.:** **US D464,759 S**

(45) **Date of Patent:** **\*\* Oct. 22, 2002**

(54) **LOW PROFILE OVAL LIGHT FIXTURE**

(75) Inventor: **Brandon Thompson**, Osceola, IN (US)

(73) Assignee: **R. B. Gustafson Company**, Elkhart, IN (US)

(\*\*) Term: **14 Years**

(21) Appl. No.: **29/144,989**

(22) Filed: **Jul. 13, 2001**

(51) **LOC (7) Cl.** ..... **26-03**

(52) **U.S. Cl.** ..... **D26/89**

(58) **Field of Search** ..... D26/72, 80-92,  
D26/142-144, 152, 155; 362/147, 404-408,  
432

(56) **References Cited**

**U.S. PATENT DOCUMENTS**

D341,442 S	*	11/1993	Shapiro	.....	D26/118
D341,443 S	*	11/1993	Shapiro	.....	D26/118
D350,409 S	*	9/1994	Johnson et al.	.....	D26/86
D412,040 S	*	7/1999	Hudak et al.	.....	D26/87
D443,713 S	*	6/2001	Benensohn	.....	D26/72

**OTHER PUBLICATIONS**

Home Lighting and Accessories Dec. 2001; p. 12; fixture in lower left photo.\*

Home Lighting and Accessories; Jun. 1998; p. 117; fixture in center—right of page.\*

\* cited by examiner

*Primary Examiner*—Alan P. Douglas

*Assistant Examiner*—Clare E. Heflin

(74) *Attorney, Agent, or Firm*—Fulwider Patton Lee & Utecht, LLP

(57) **CLAIM**

The ornamental design for a low profile oval light fixture, as shown and described.

**DESCRIPTION**

FIG. 1 is a perspective view showing my new design;

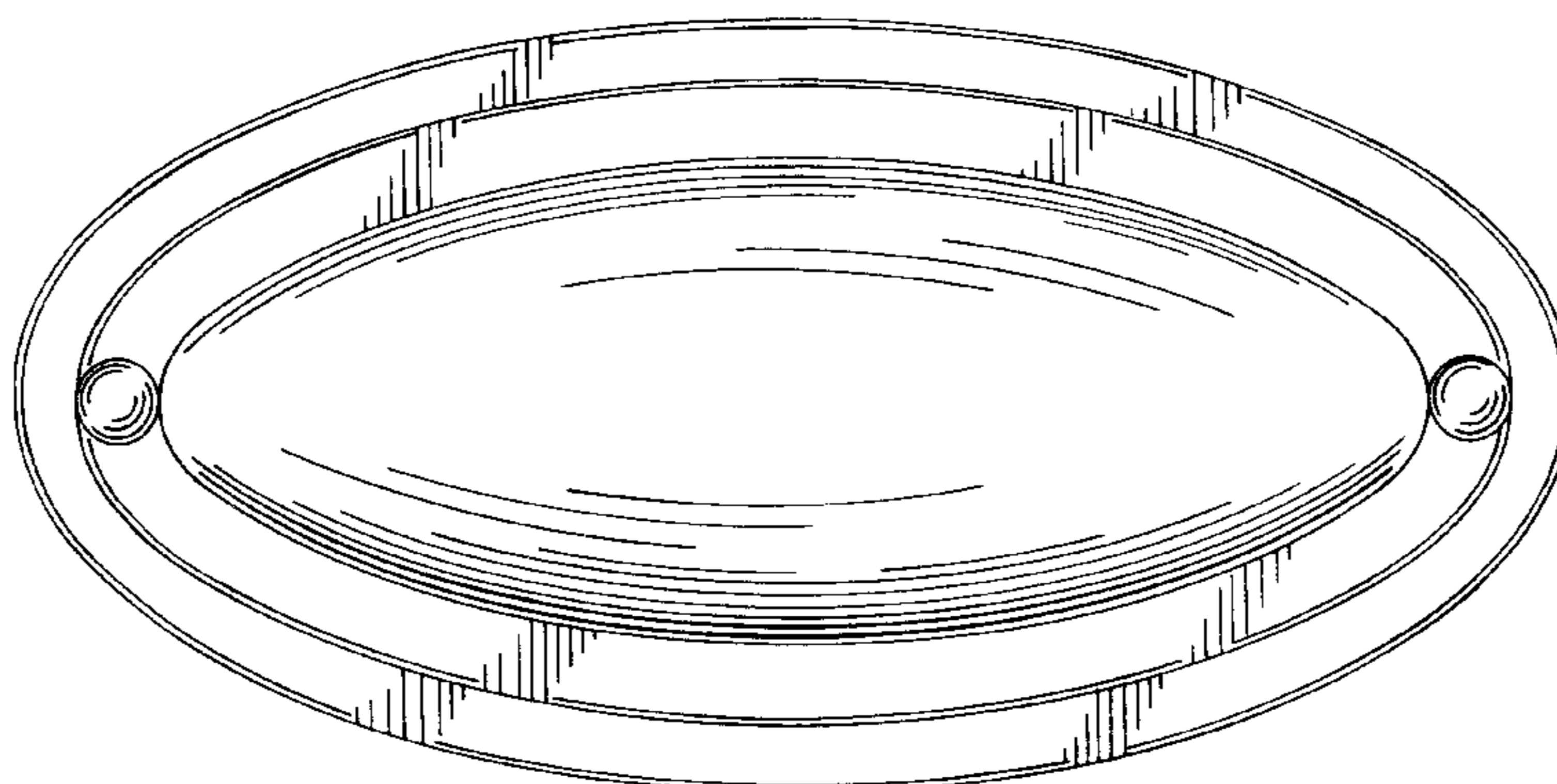
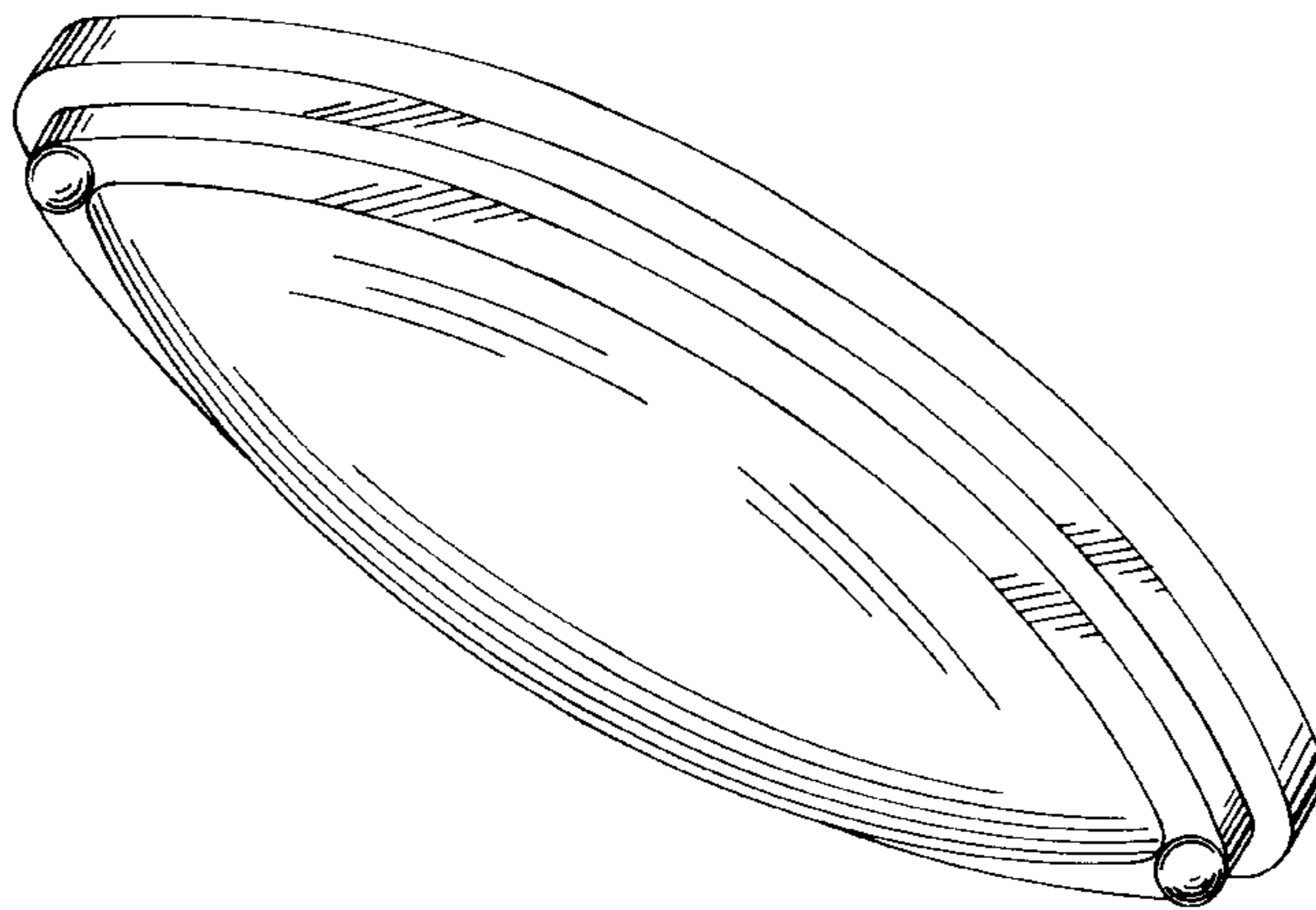
FIG. 2 is a bottom plan view thereof;

FIG. 3 is a top plan view thereof, the electric wires being shown broken away to depict indeterminate length;

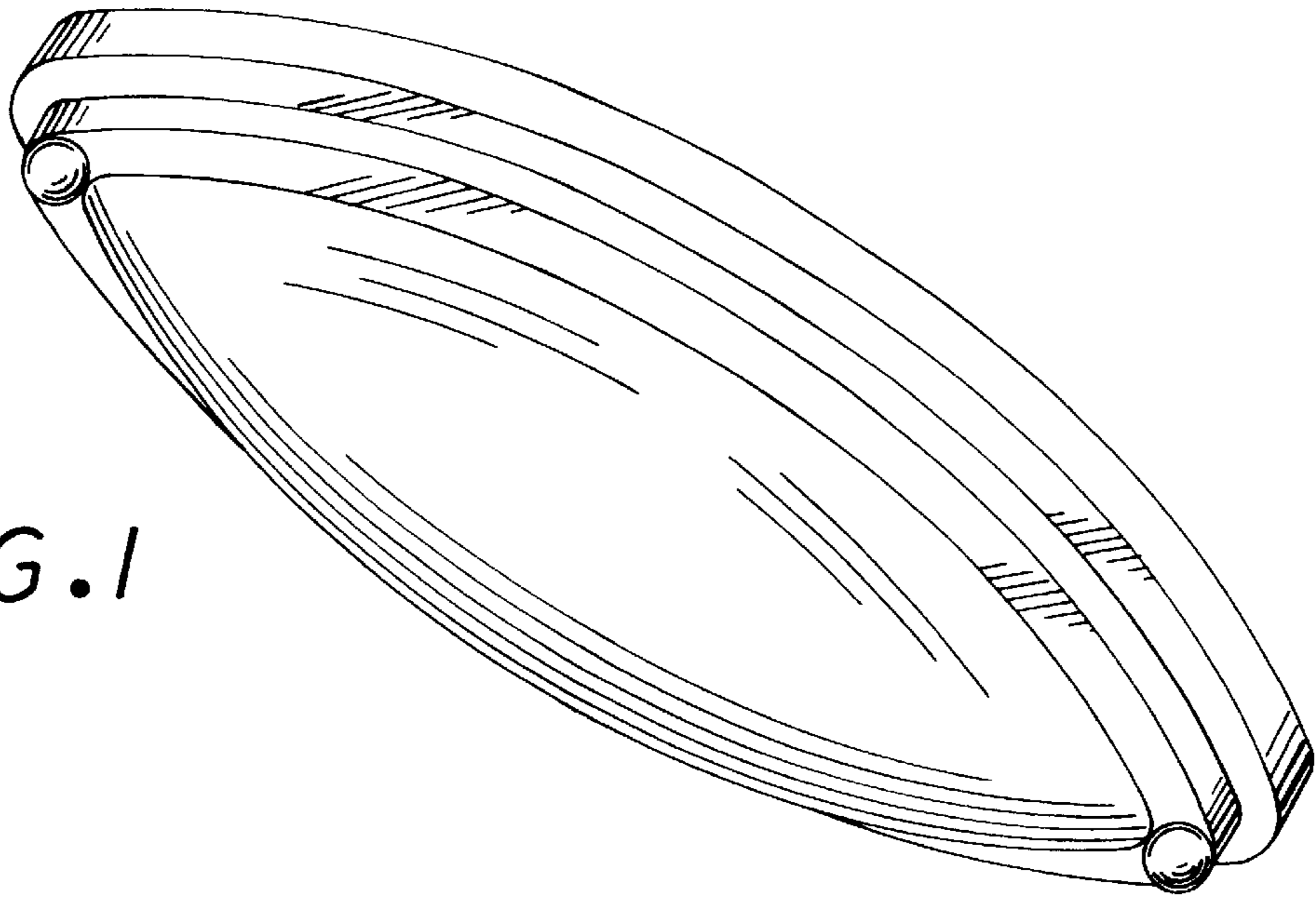
FIG. 4 is a front view thereof; and,

FIG. 5 is a right-hand end view thereof, the left-hand end view being a mirror image thereof.

**1 Claim, 2 Drawing Sheets**



*FIG. 1*



*FIG. 2*

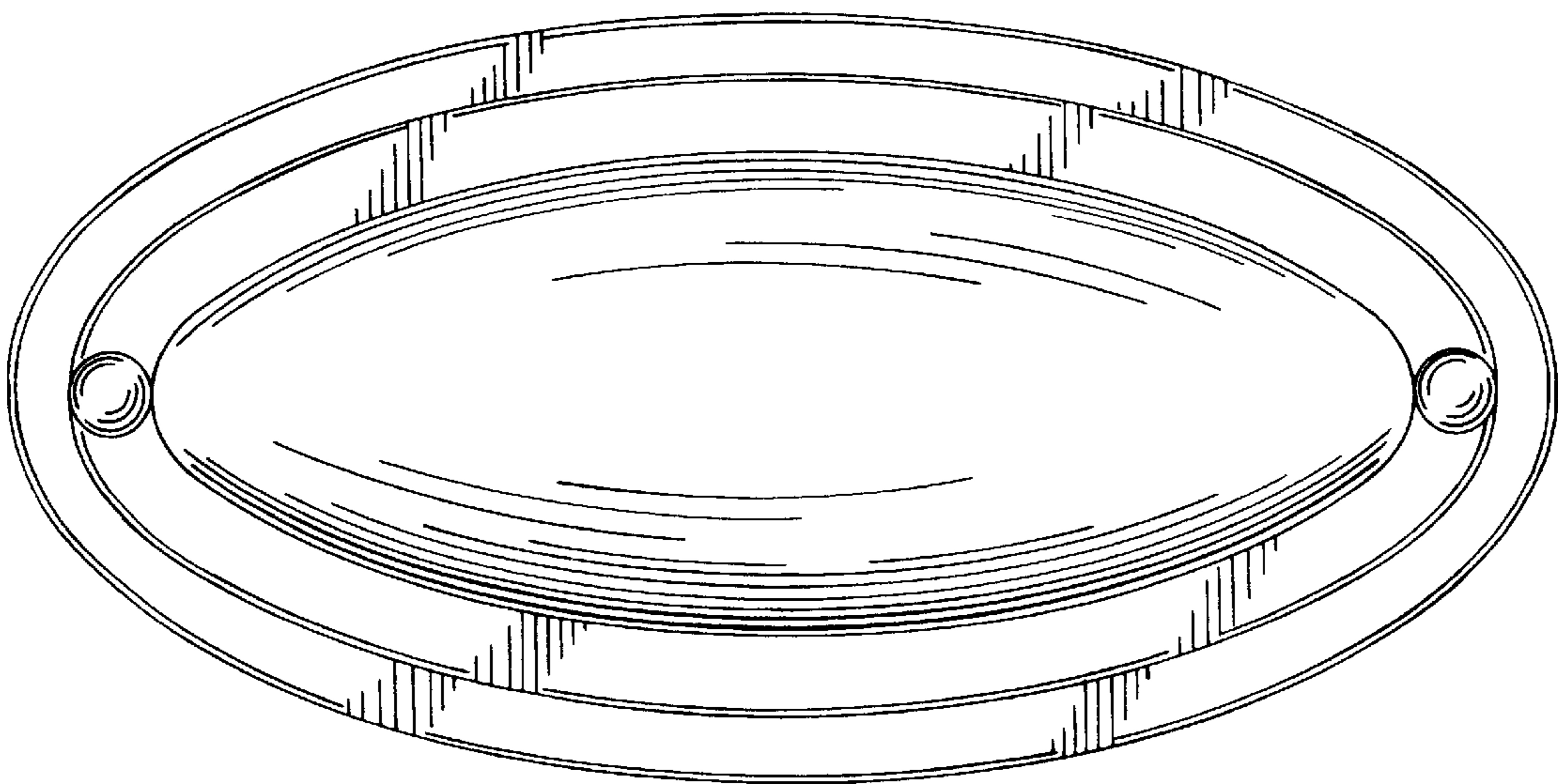


FIG. 3

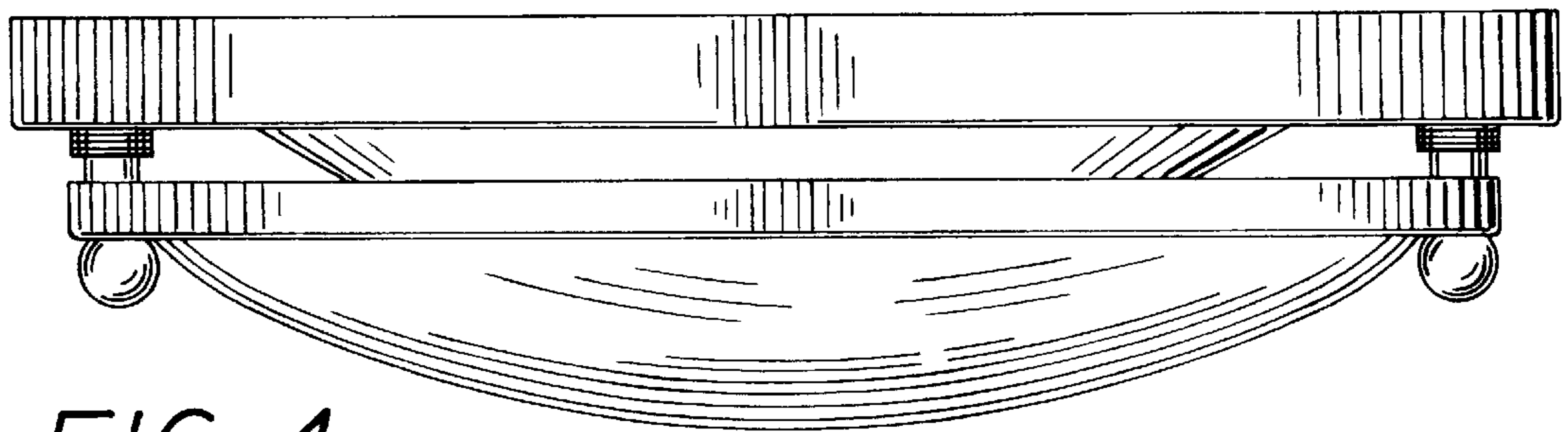
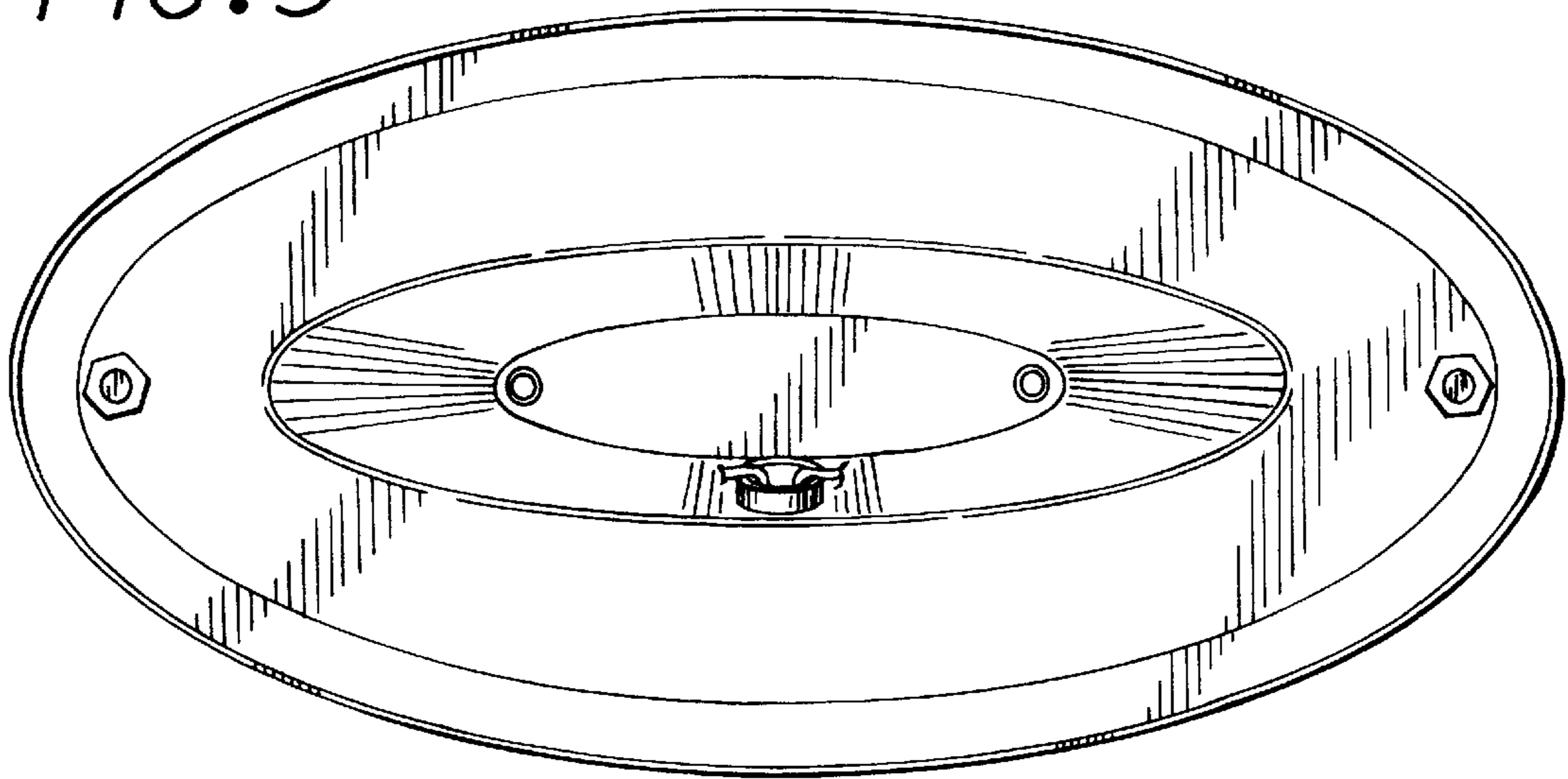


FIG. 4

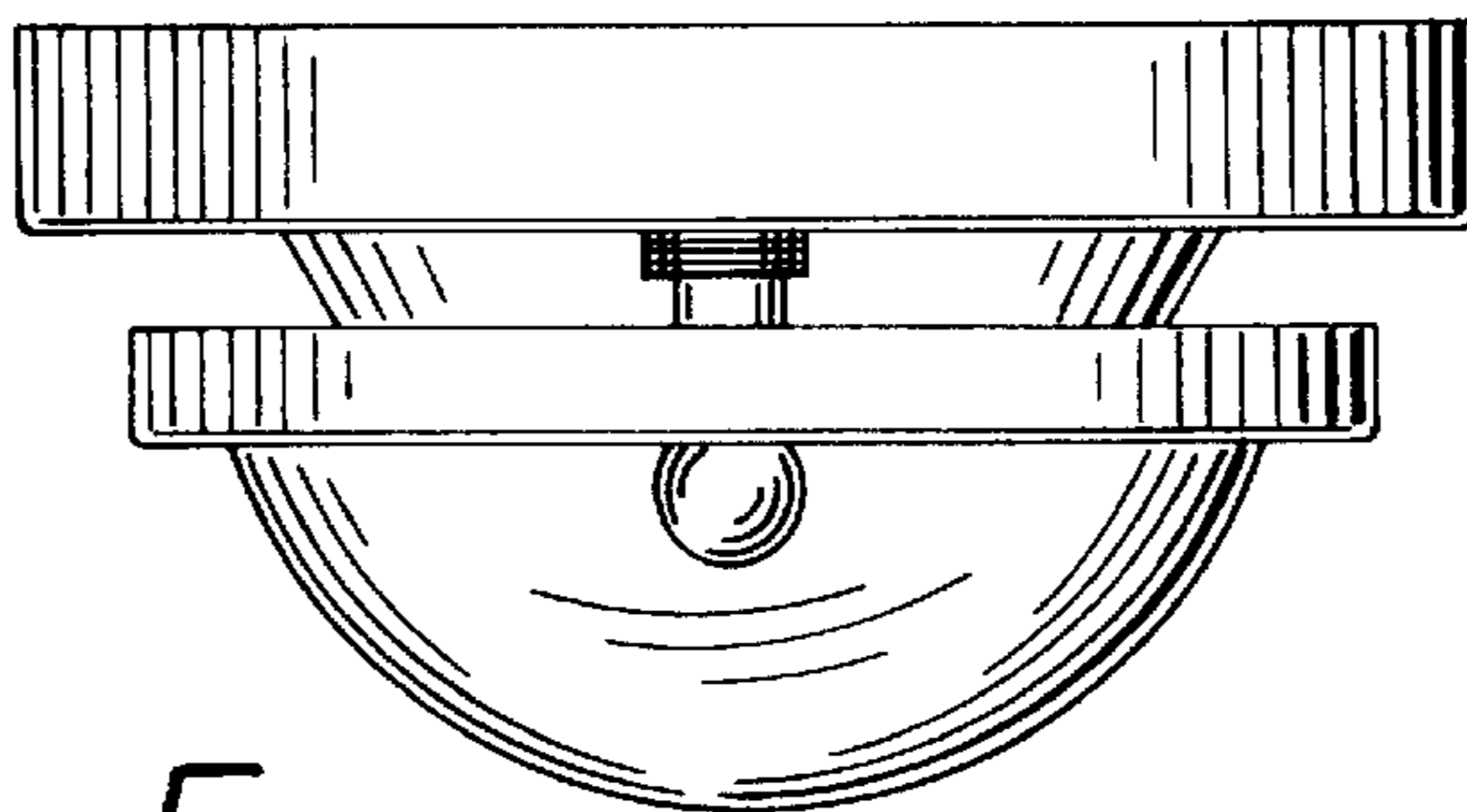


FIG. 5