



US00D464757S

(12) **United States Design Patent**
Echito

(10) **Patent No.:** **US D464,757 S**

(45) **Date of Patent:** **** *Oct. 22, 2002**

(54) **SINGLE PANEL UNDERCOUNTER LIGHT**

(75) **Inventor:** **Cory Echito, Mahwah, NJ (US)**

(73) **Assignee:** **American Tack Hardware Co., Inc.,
Monsey, NY (US)**

(*) **Notice:** This patent is subject to a terminal disclaimer.

(**) **Term:** **14 Years**

(21) **Appl. No.:** **29/143,648**

(22) **Filed:** **Jun. 14, 2001**

(51) **LOC (7) Cl.** **26-03**

(52) **U.S. Cl.** **D26/75**

(58) **Field of Search** D26/28, 35, 72,
D26/80-92; 362/147, 404-408, 217-223,
33, 240, 249, 250, 252

(56) **References Cited**

U.S. PATENT DOCUMENTS

- D267,516 S * 1/1983 Rambusch et al. D26/72
- 4,930,056 A * 5/1990 Stephenson et al. 362/364
- D313,863 S * 1/1991 Macaluso D26/29

- D411,324 S * 6/1999 Roorda D26/87
- D411,325 S * 6/1999 Roorda D26/87
- D411,326 S * 6/1999 Roorda D26/87
- D452,340 S * 12/2001 Pickett et al. D26/76

* cited by examiner

Primary Examiner—Alan P. Douglas

Assistant Examiner—Clare E. Heflin

(74) *Attorney, Agent, or Firm*—Hedman & Costigan, P.C.

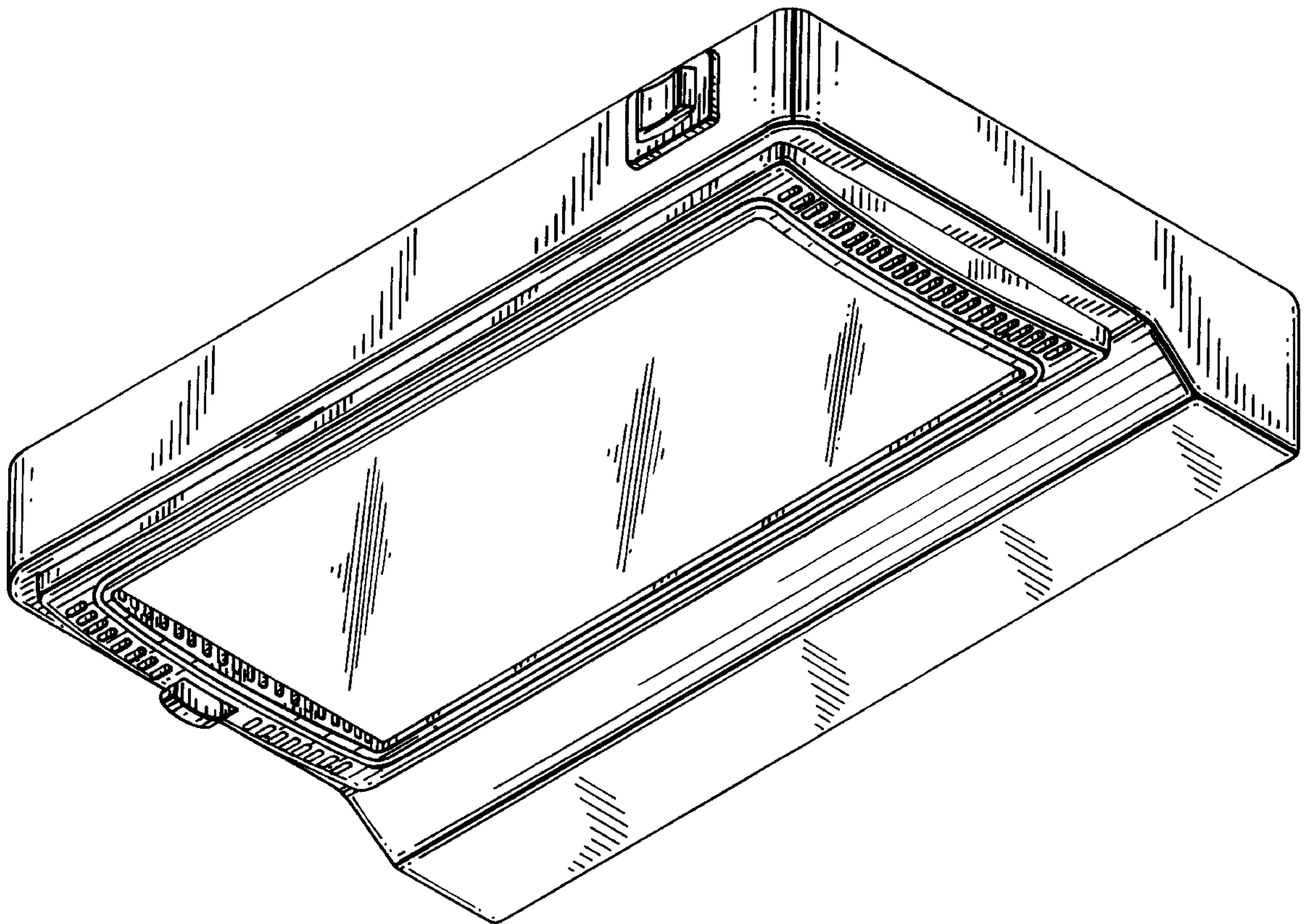
(57) **CLAIM**

The ornamental design for a single panel undercounter light, as shown and described.

DESCRIPTION

FIG. 1 is a bottom perspective view of the single panel undercounter light according to my design;
 FIG. 2 is a front view of my design;
 FIG. 3 is a left side view of my design which is substantially a mirror image of the right side view;
 FIG. 4 is a back view of my design;
 FIG. 5 is a bottom view of my design; and,
 FIG. 6 is a top view of my design.
 The broken lines shown in FIGS. 4 and 6 are for illustrative purposes only and form no part of the claimed design.

1 Claim, 4 Drawing Sheets



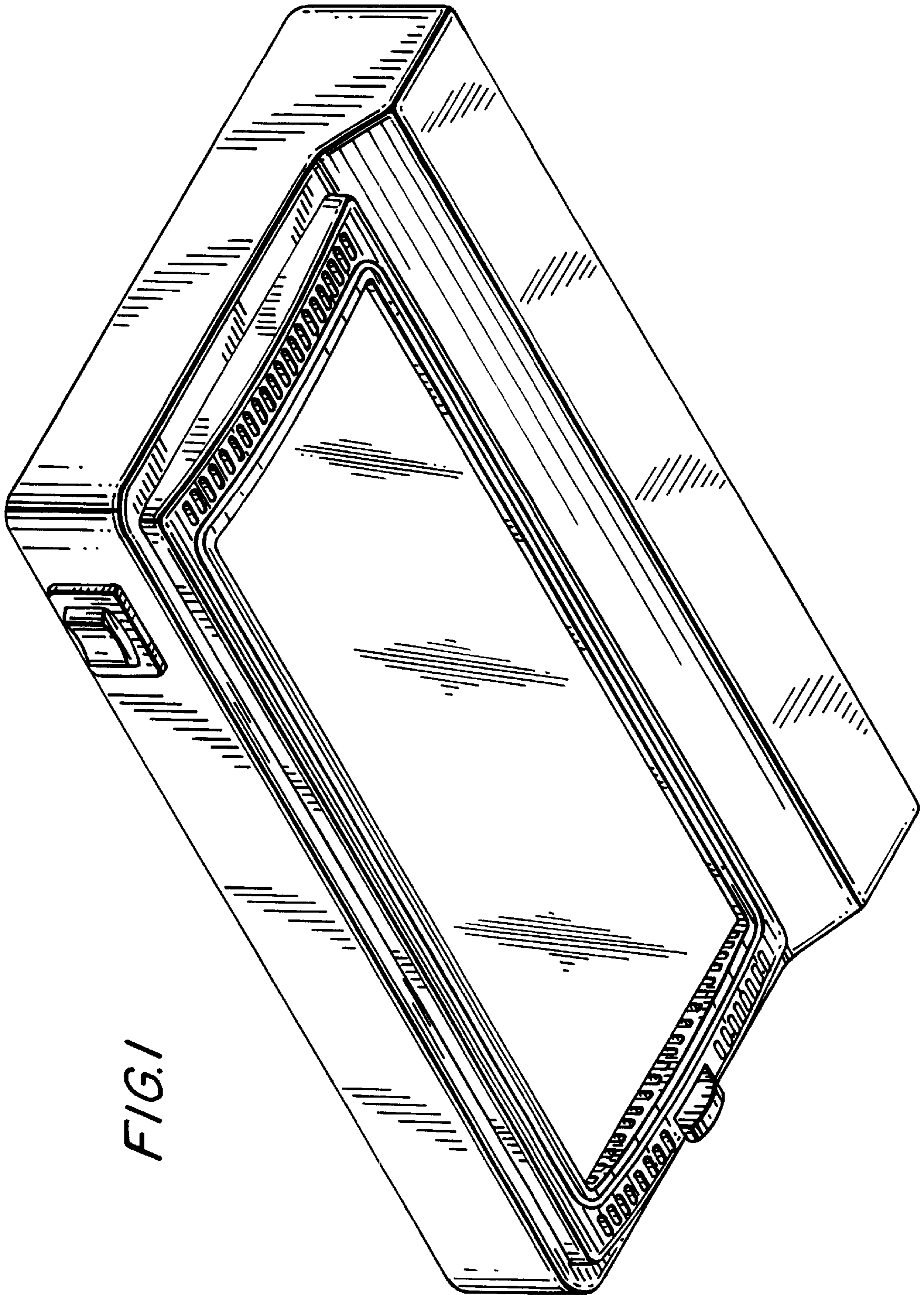


FIG. 1

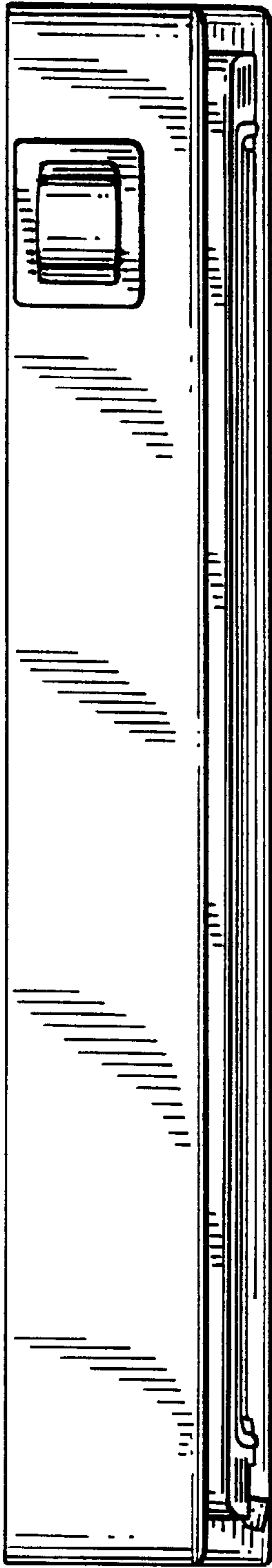


FIG. 2

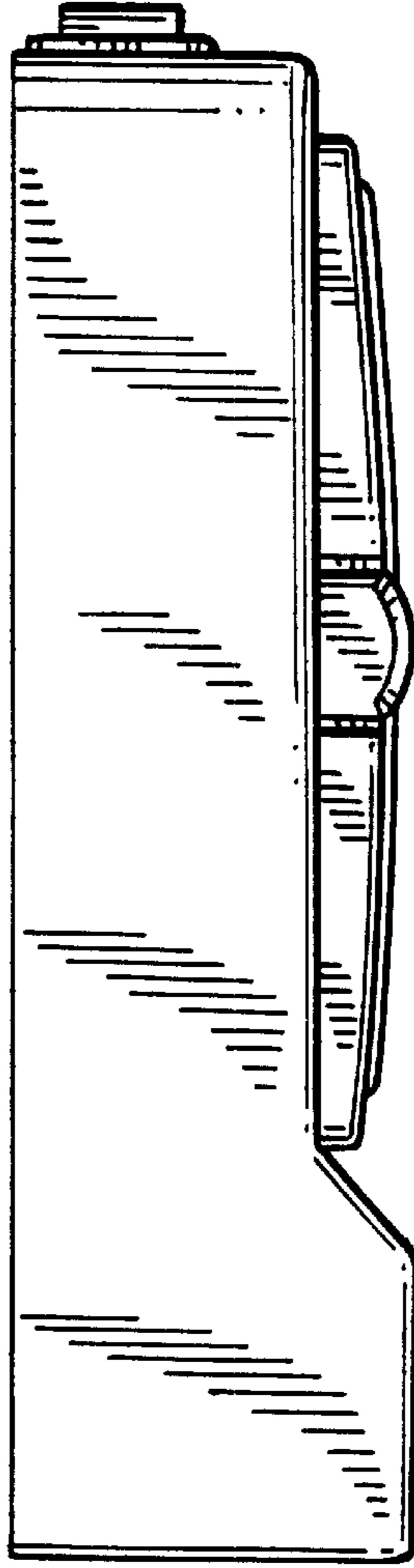


FIG. 3

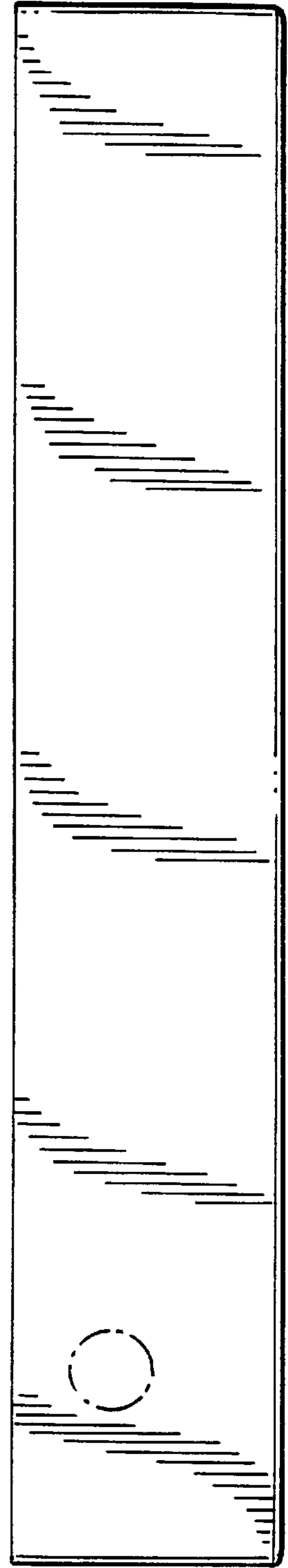


FIG. 4

FIG. 5

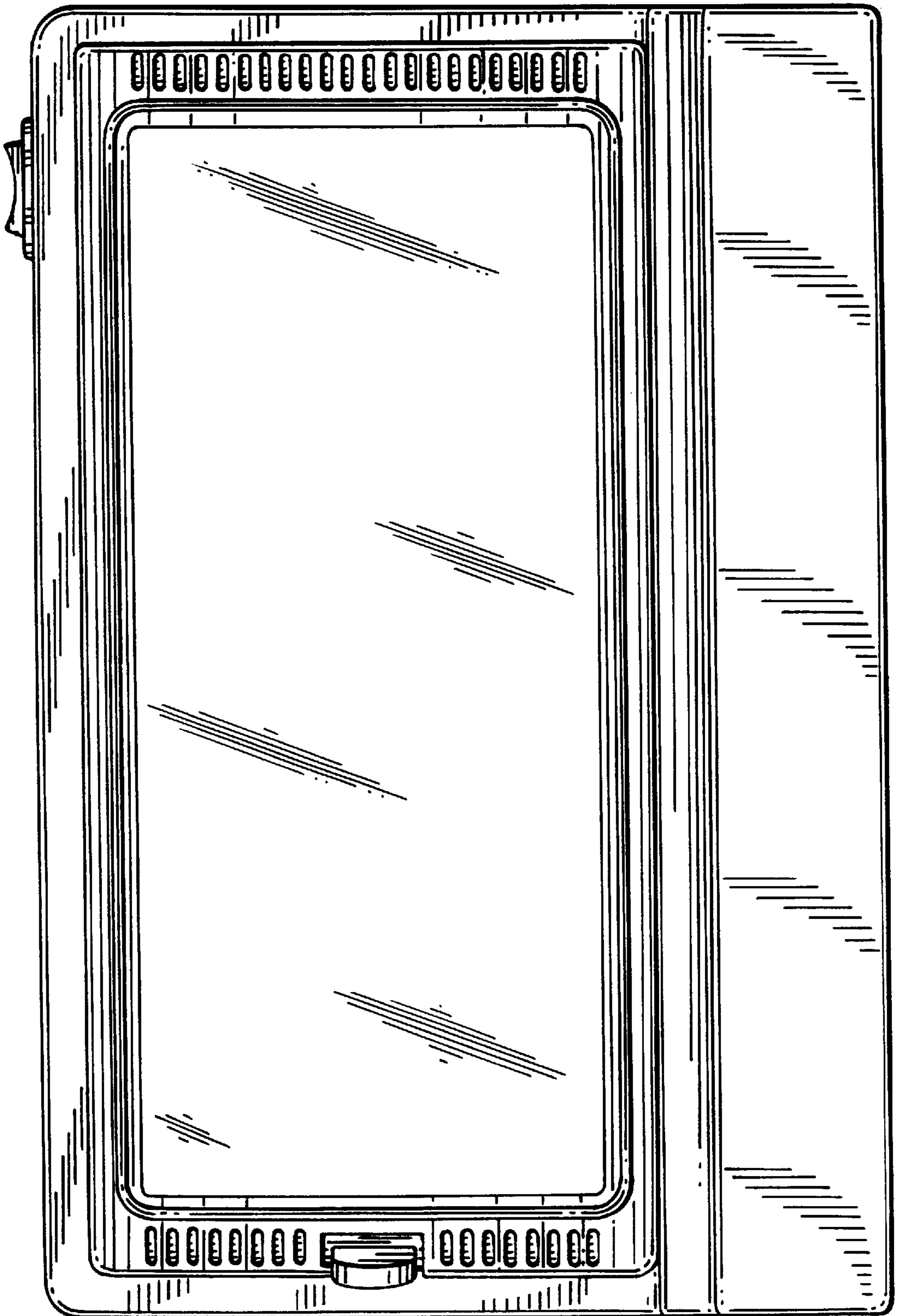


FIG. 6

