



US00D464756S

(12) **United States Design Patent** (10) **Patent No.:** **US D464,756 S**  
**Layne et al.** (45) **Date of Patent:** **\*\* Oct. 22, 2002**

(54) **TRACK LIGHTING FIXTURE**

(75) Inventors: **Bruce Layne**, Wheaton, IL (US);  
**James Agro**, Geneva, IL (US); **Steven Pyshos**, Glenview, IL (US)

(73) Assignee: **Cooper Industries, Inc.**, Houston, TX (US)

(\*\*) Term: **14 Years**

(21) Appl. No.: **29/127,051**

(22) Filed: **Jul. 28, 2000**

(51) **LOC (7) Cl.** ..... **26-05**

(52) **U.S. Cl.** ..... **D26/63**

(58) **Field of Search** ..... D26/61, 63, 65,  
D26/66; 362/418, 419, 427, 428, 269, 271,  
272, 276, 277, 278, 279, 275

(56) **References Cited**

**U.S. PATENT DOCUMENTS**

4,032,208 A	6/1977	Berkenhoff	
D247,171 S	2/1978	Berkenhoff	
D287,413 S	* 12/1986	Kusmer et al.	..... D26/65
4,814,955 A	* 3/1989	Price	..... 362/275
D351,038 S	* 9/1994	Snoke et al.	..... D26/65
5,593,224 A	1/1997	Kunkel et al.	
5,855,485 A	1/1999	Patti	
6,059,582 A	5/2000	Tsai	
6,079,992 A	6/2000	Kuchar et al.	

**OTHER PUBLICATIONS**

Home Lighting and Accessories, Jul. 1994, p. 57, spotlight.\*  
Translite Systems products brochure from www.translite-  
.com, Prior to filing Date.

Ardee Lighting products brochure from www.ardeelighting.com, Prior to filing Date.

Juno Lighting products brochure from www.junolighting.com, Prior to filing Date.

Belfer Lighting products brochure from www.belfer.com, Prior to filing Date.

Erco Lighting products brochure from www.erco.com, Prior to filing Date.

\* cited by examiner

*Primary Examiner*—Marcus A. Jackson

(74) *Attorney, Agent, or Firm*—Thomas, Kayden, Horstemeyer & Risley, LLP

(57) **CLAIM**

We claim the ornamental design for a track lighting fixture, as shown and described.

**DESCRIPTION**

FIG. 1 is a bottom-rear perspective view of a decorative track lighting fixture rotated to a downward position.

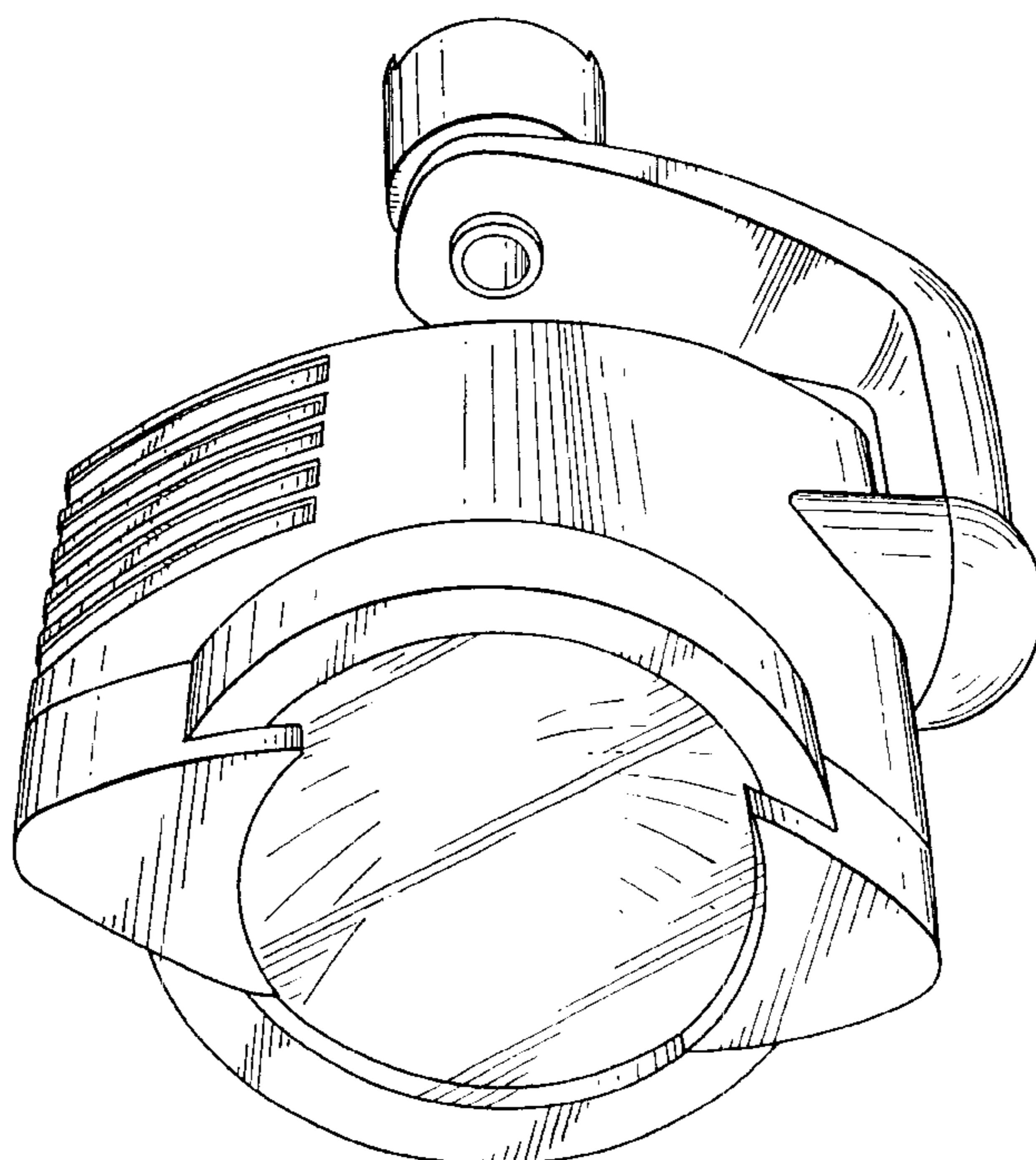
FIG. 2 is a right-rear perspective view of the fixture of FIG. 1 rotated to a downward position.

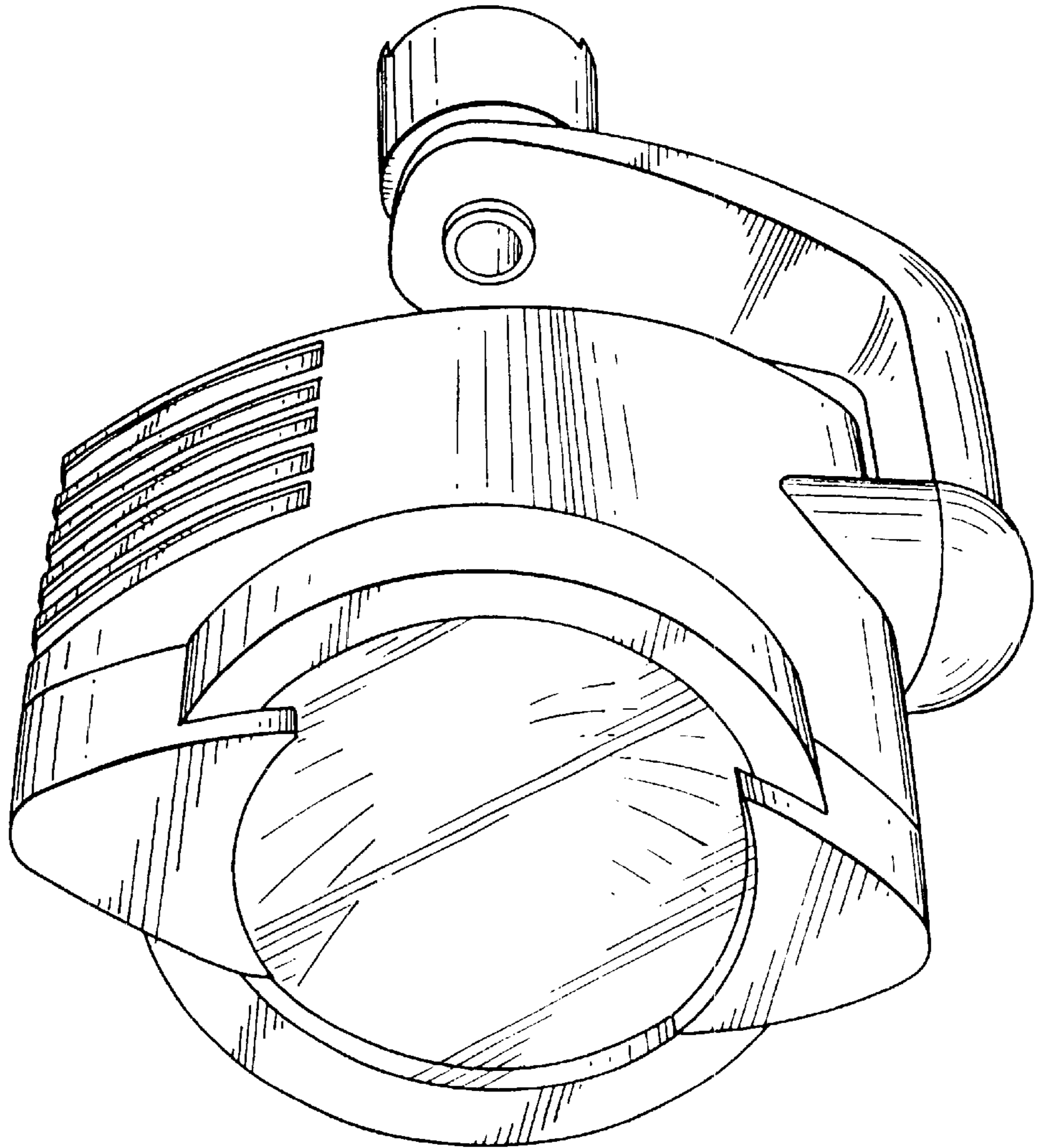
FIG. 3 is an exploded view of the fixture of FIG. 1 showing a bottom-rear perspective view of a housing of the fixture of FIG. 1 rotated to a downward position and with a cap and bulb removed.

FIG. 4 is a top-left perspective view of the fixture of FIG. 1 rotated to a front-facing position; and,

FIG. 5 is a rear plan view of the fixture of FIG. 1 rotated to a front-facing position.

**1 Claim, 5 Drawing Sheets**





*FIG. 1*

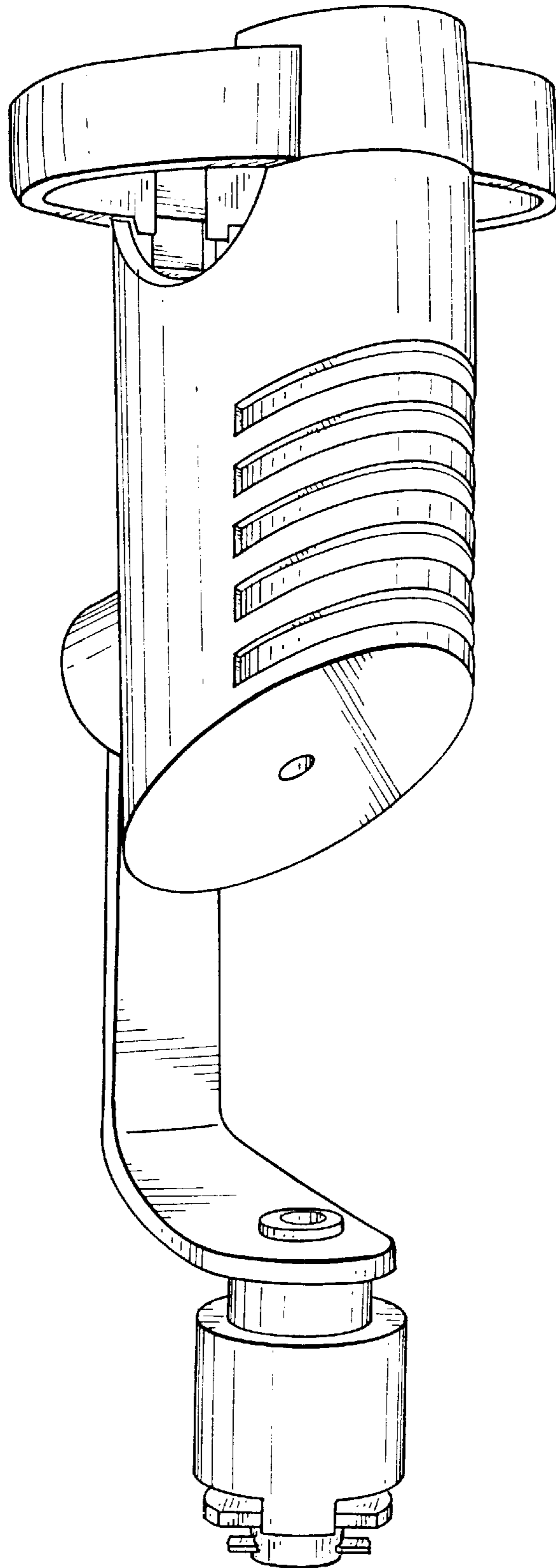


FIG. 2

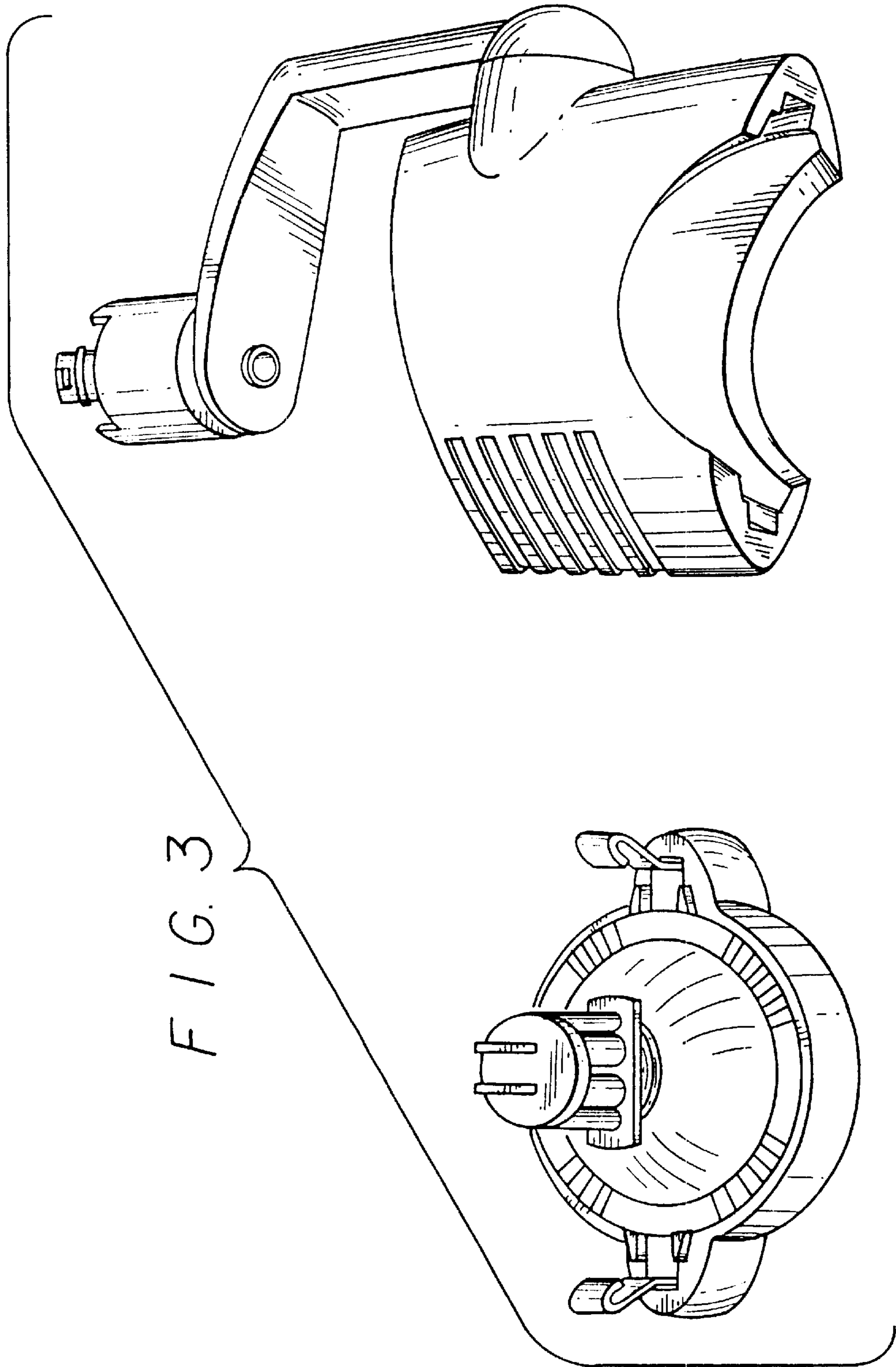


FIG. 3

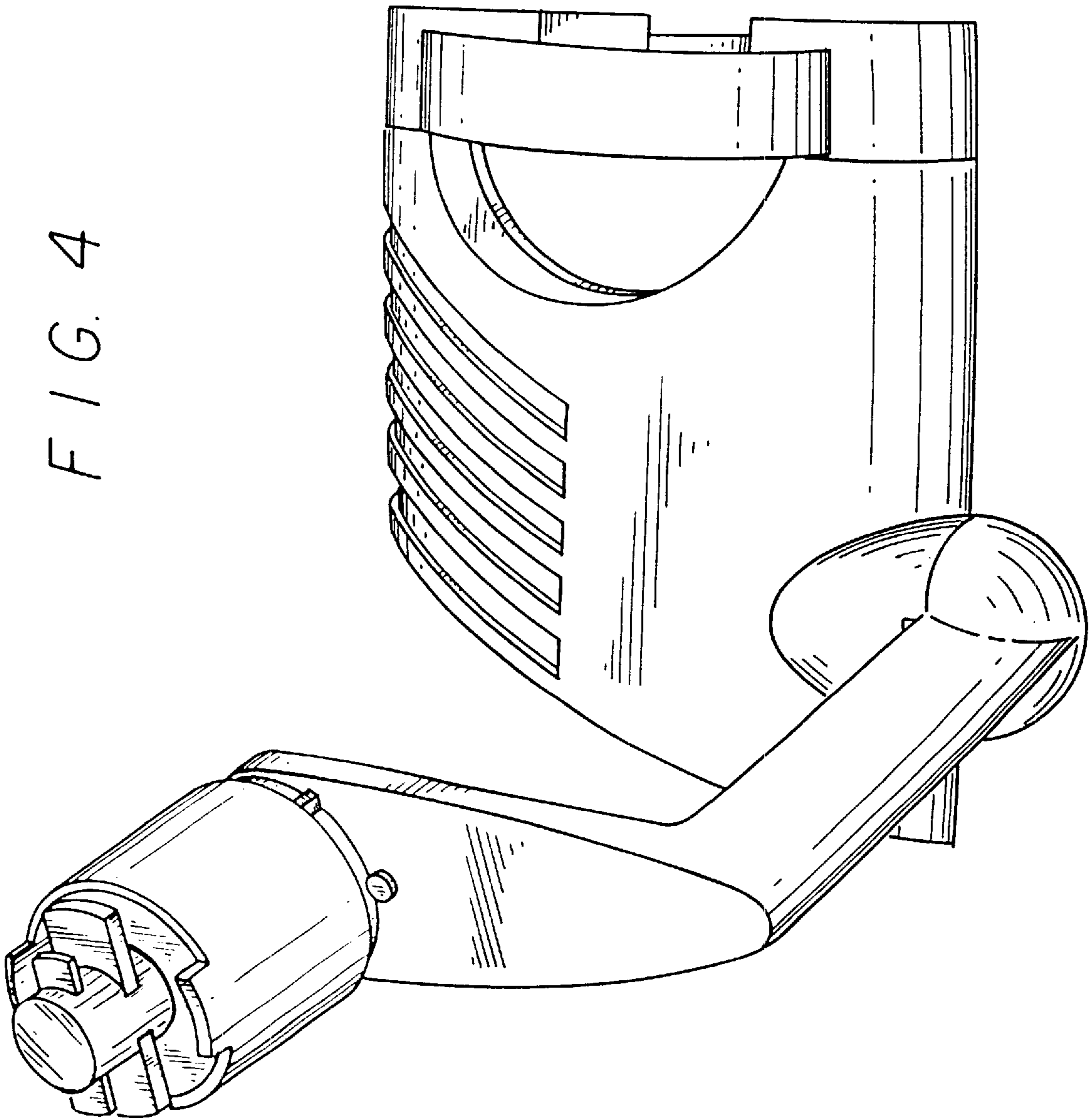


FIG. 5

