



US00D464755S

(12) **United States Design Patent**  
**Harris et al.**

(10) **Patent No.:** **US D464,755 S**

(45) **Date of Patent:** **\*\* Oct. 22, 2002**

(54) **FOLDING BOOKLIGHT**

(75) Inventors: **David Harris**, Nashua, NH (US); **Rudy Woodard**, Nashua, NH (US); **Scott Rubenstein**, Nashua, NH (US); **Timothy Trzepacz**, Nashua, NH (US)

(73) Assignee: **Brookstone Company, Inc.**, Nashua, NH (US)

(\*\*) Term: **14 Years**

(21) Appl. No.: **29/154,613**

(22) Filed: **Jan. 25, 2002**

(51) **LOC (7) Cl.** ..... **26-05**

(52) **U.S. Cl.** ..... **D26/60**

(58) **Field of Search** ..... D26/60; 362/98,  
362/99, 191, 396

(56) **References Cited**

**U.S. PATENT DOCUMENTS**

D381,448 S	*	7/1997	Chen	.....	D26/60
D436,202 S	*	1/2001	Chen	.....	D26/60
D446,873 S	*	8/2001	Fisher et al.	.....	D26/60

\* cited by examiner

*Primary Examiner*—Marcus A. Jackson

(74) *Attorney, Agent, or Firm*—Hayes Soloway P.C.

(57) **CLAIM**

The ornamental design for a folding booklight, as shown and described.

**DESCRIPTION**

FIG. 1 is a top plan view of a folding booklight in a folded position and showing a preferred embodiment of our new design;

FIG. 2 is a bottom plan view thereof;

FIG. 3 is a right-side elevational view thereof; the left side being a mirror image thereof;

FIG. 4 is a front end view thereof;

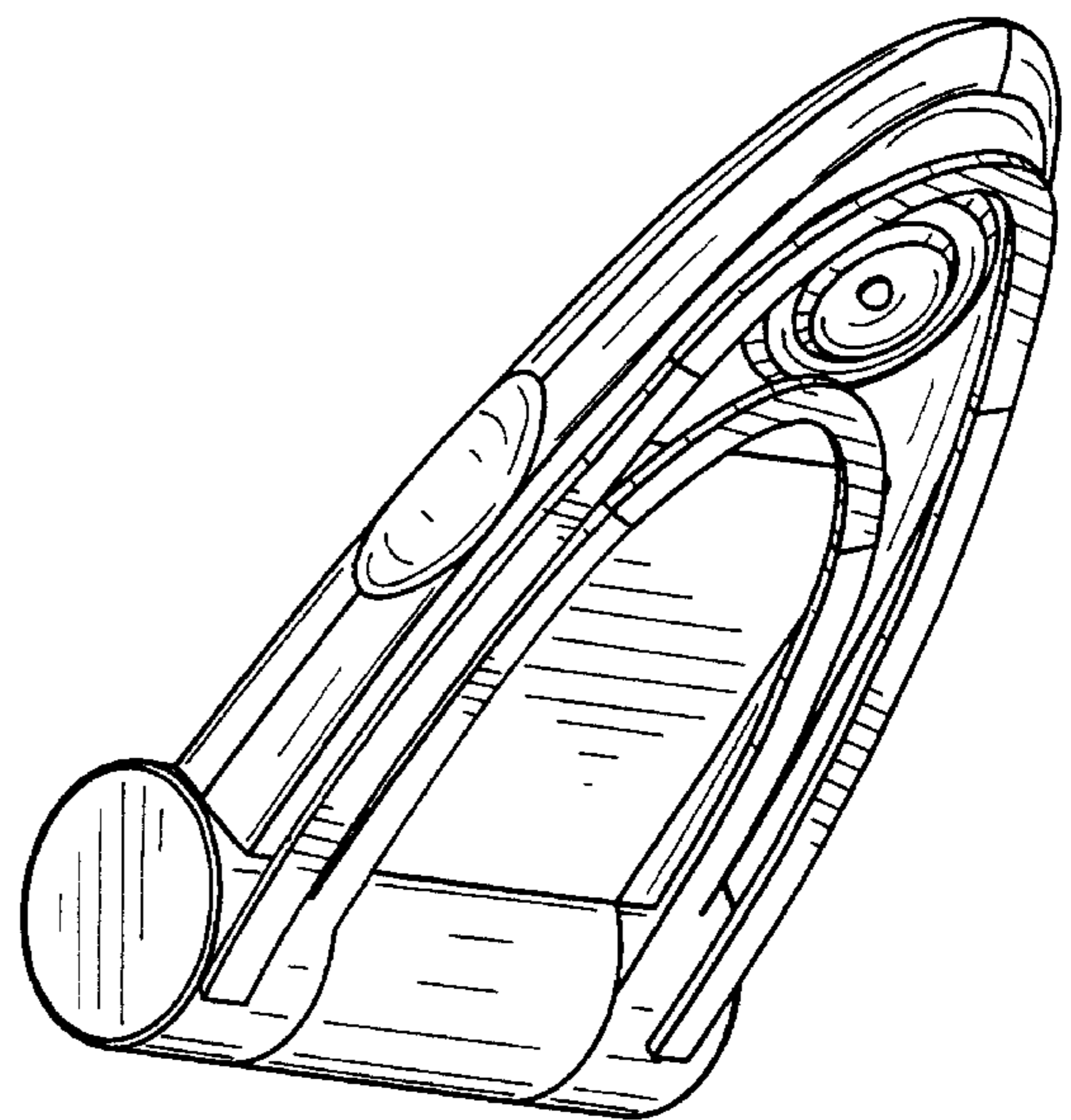
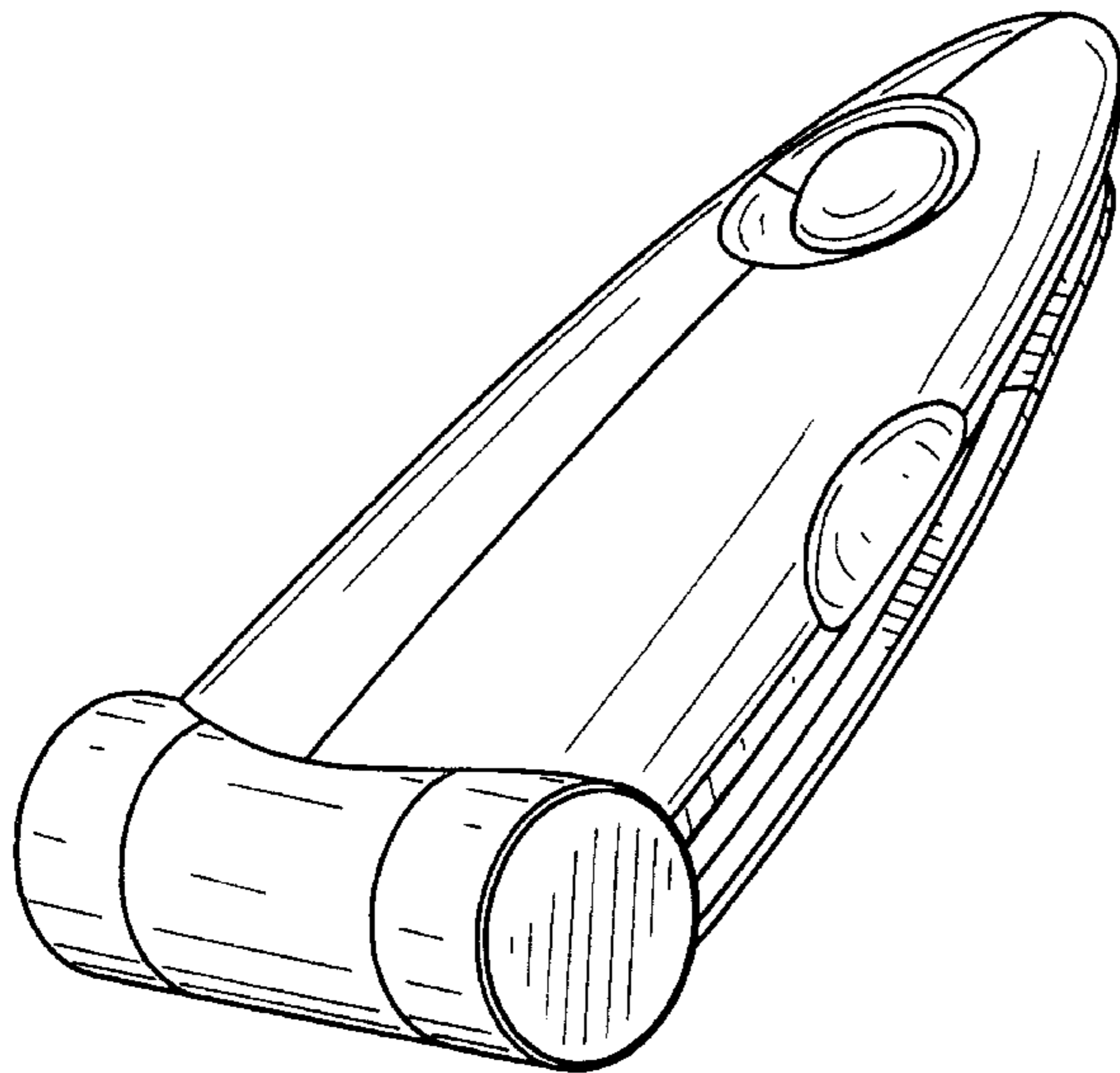
FIG. 5 is a top perspective view thereof;

FIG. 6 is a bottom perspective view thereof;

FIG. 7 is a view similar to FIG. 5, but showing the booklight in an unfolded position; and,

FIG. 8 is a view similar to FIG. 3, but showing the booklight in an unfolded position.

**1 Claim, 3 Drawing Sheets**



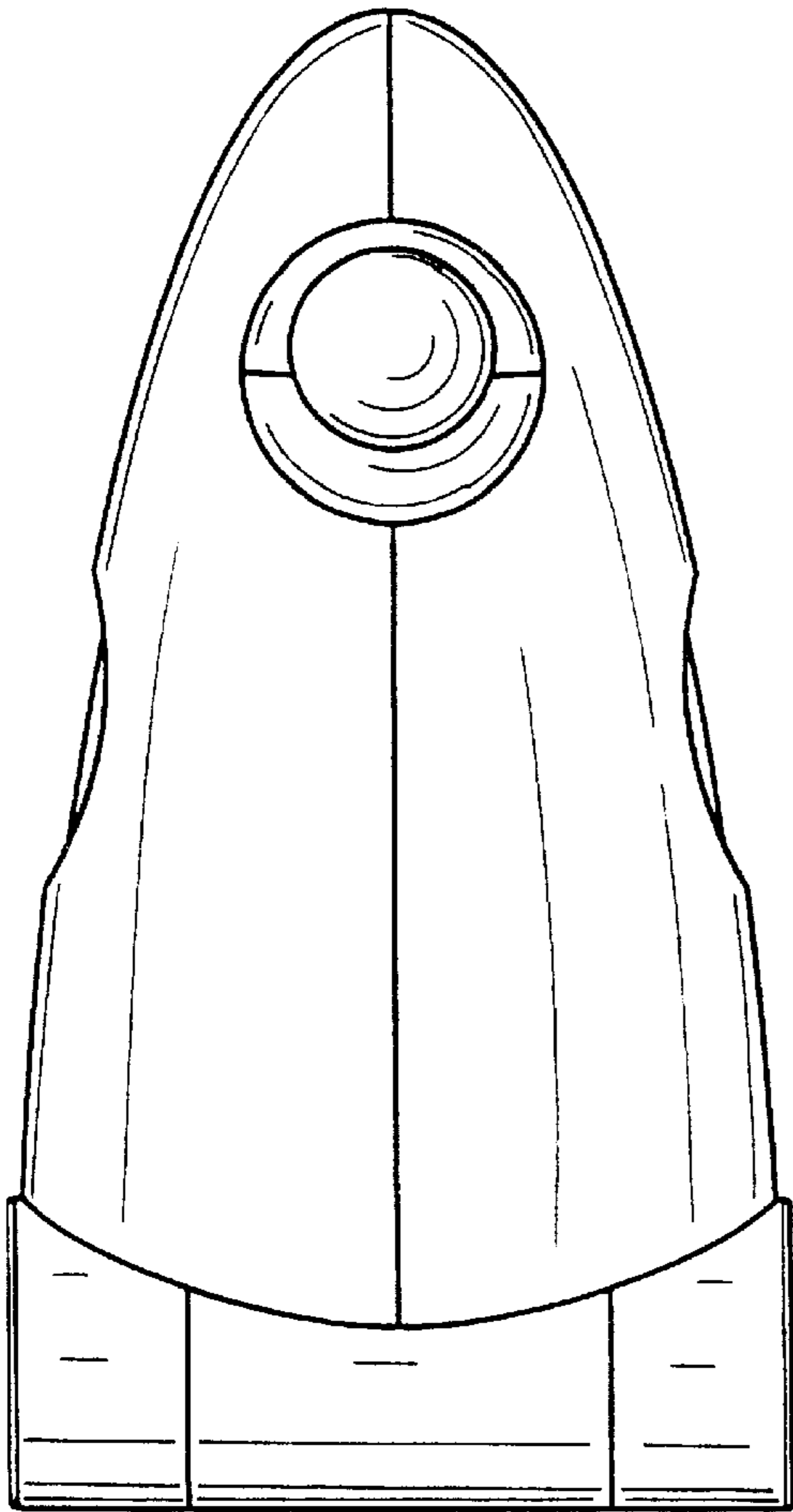


FIG. 1

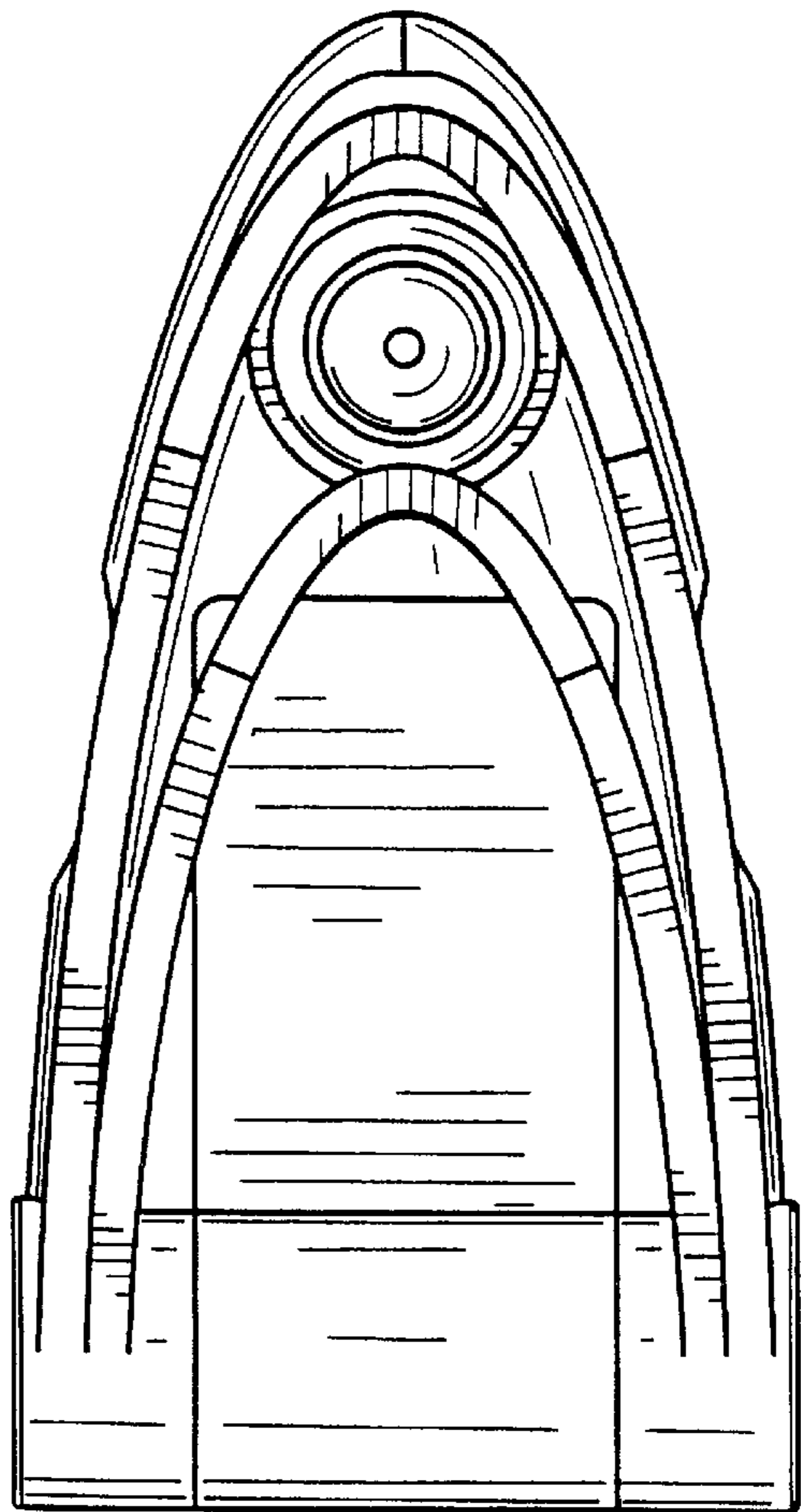


FIG. 2

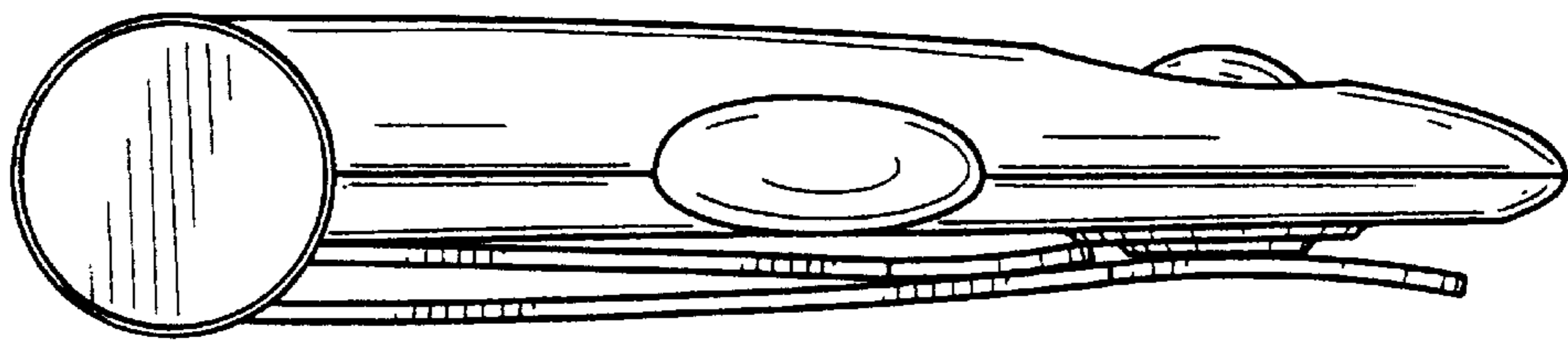


FIG. 3

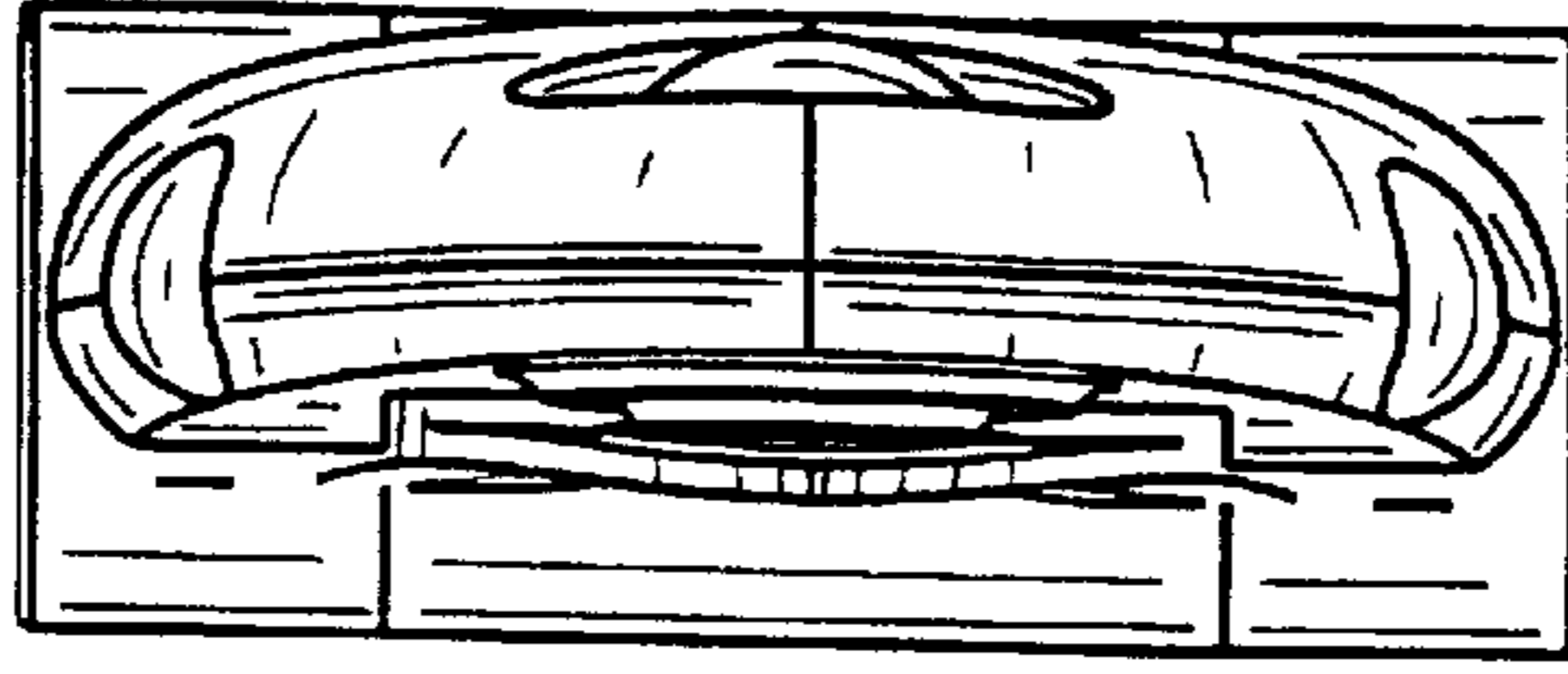


FIG. 4

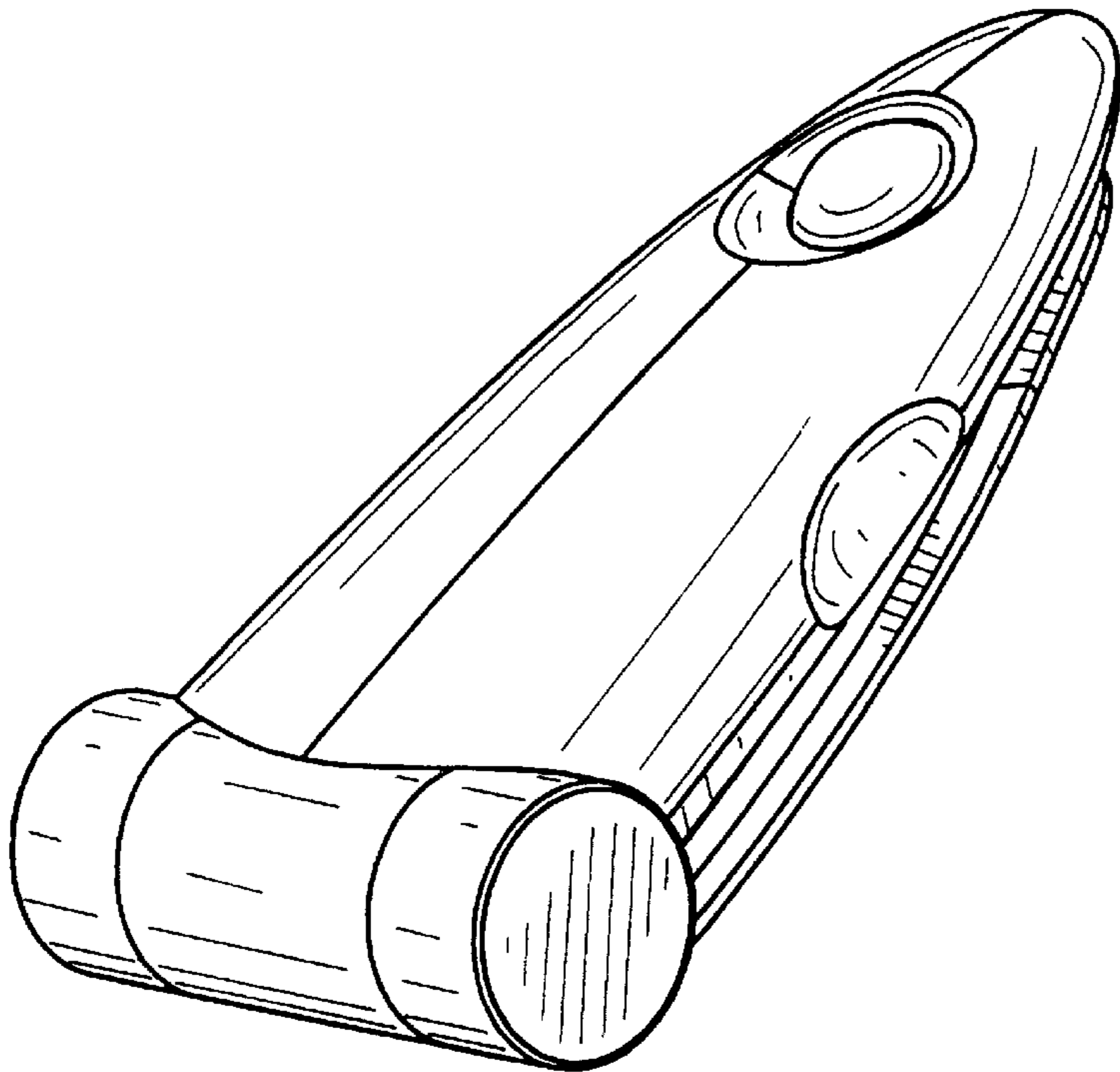


FIG. 5

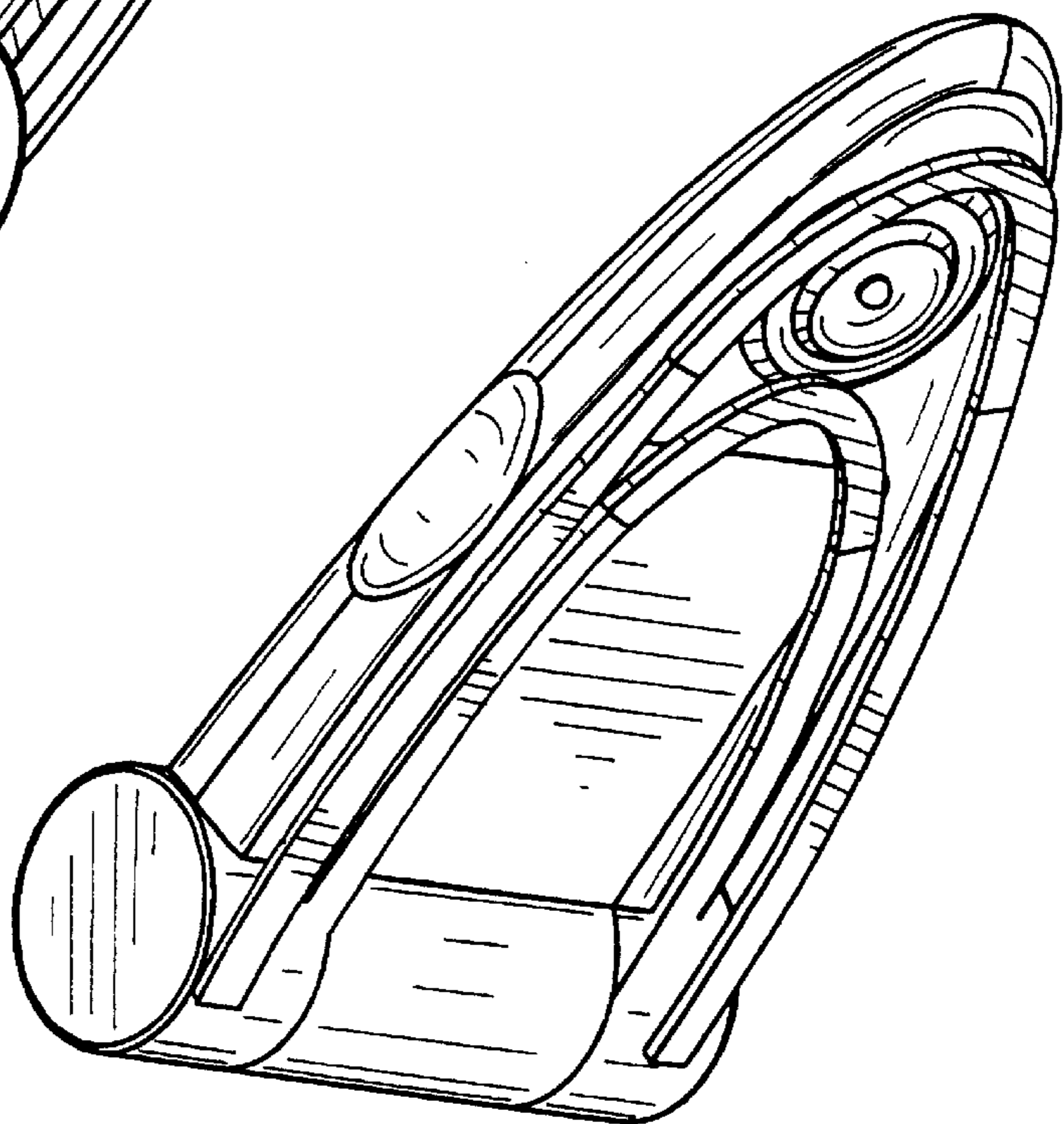


FIG. 6

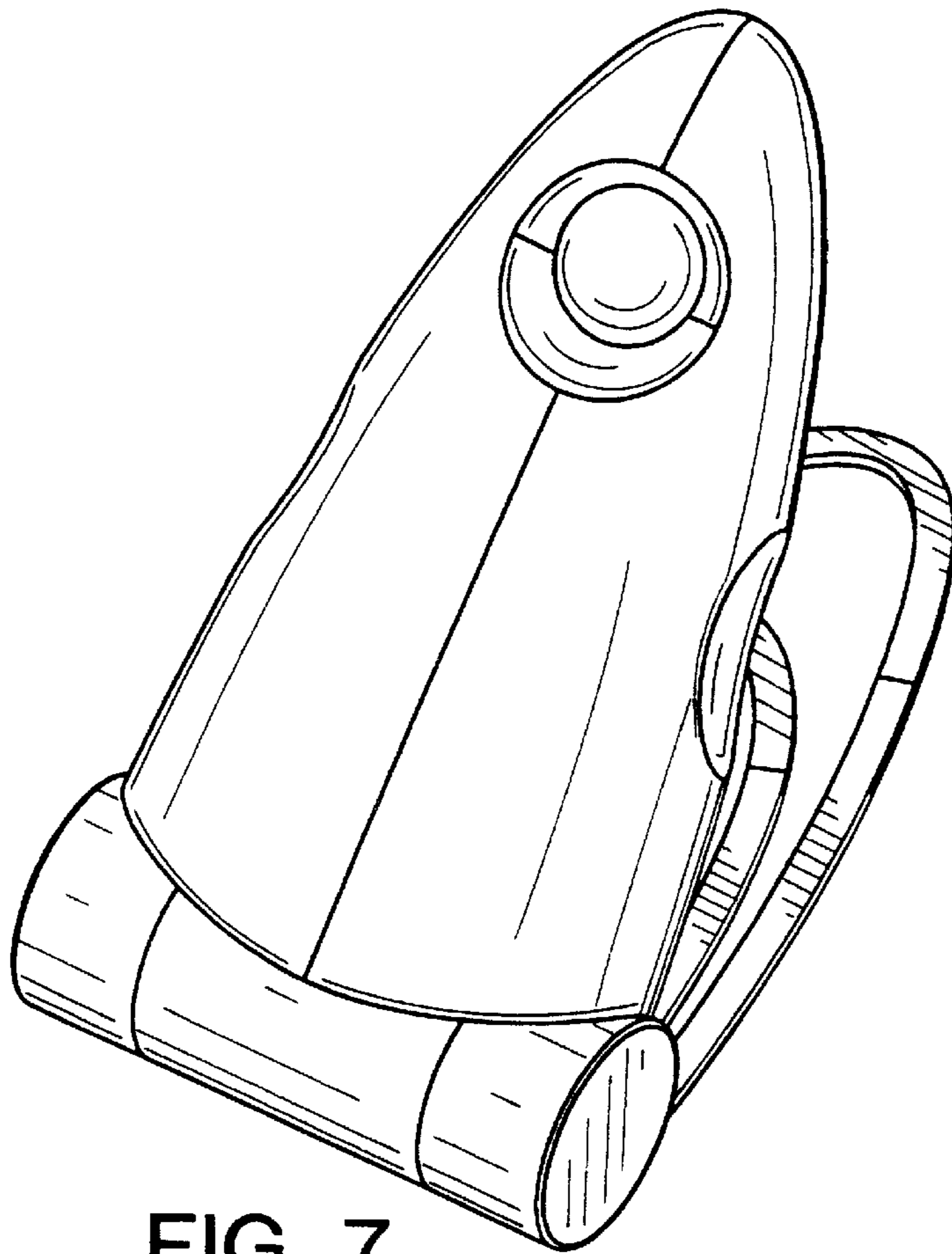


FIG. 7

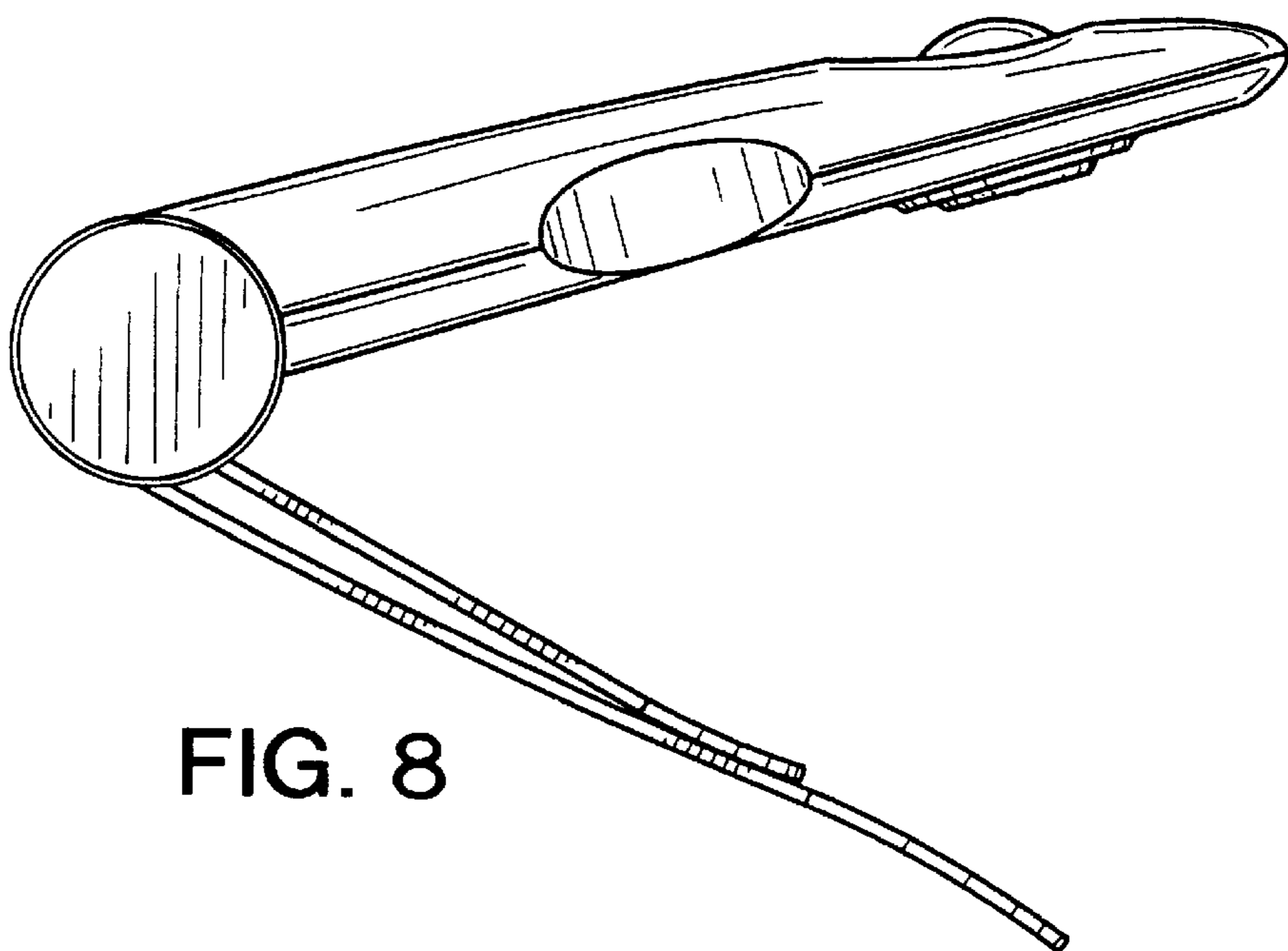


FIG. 8