



US00D464754S

(12) **United States Design Patent**
Cavins

(10) **Patent No.:** **US D464,754 S**

(45) **Date of Patent:** **** Oct. 22, 2002**

(54) **E-Z BBQ LIGHT**

(76) **Inventor:** **Daniel L. Cavins**, 40 Westport Pl.,
Newnan, GA (US) 30265

(**) **Term:** **14 Years**

(21) **Appl. No.:** **29/154,107**

(22) **Filed:** **Jan. 18, 2002**

(51) **LOC (7) Cl.** **26-05**

(52) **U.S. Cl.** **D26/60**

(58) **Field of Search** D26/60-66; 362/269,
362/275, 287, 288, 418, 419, 427

(56) **References Cited**

U.S. PATENT DOCUMENTS

4,338,075 A	7/1982	Bemm	
5,513,397 A	5/1996	Terry	
5,667,292 A	9/1997	Sabalvaro	
5,713,343 A	2/1998	Taylor	
D405,203 S	* 2/1999	Tobianski D26/60

5,964,517 A	10/1999	Adams	
6,012,828 A	1/2000	Pearce	
D439,691 S	* 3/2001	Huang D26/60
D450,147 S	* 11/2001	Leen D26/60

* cited by examiner

Primary Examiner—Marcus A. Jackson
(74) *Attorney, Agent, or Firm*—R. L. Mikesell

(57) **CLAIM**

The design for a EZ-BBQ light, as shown and described.

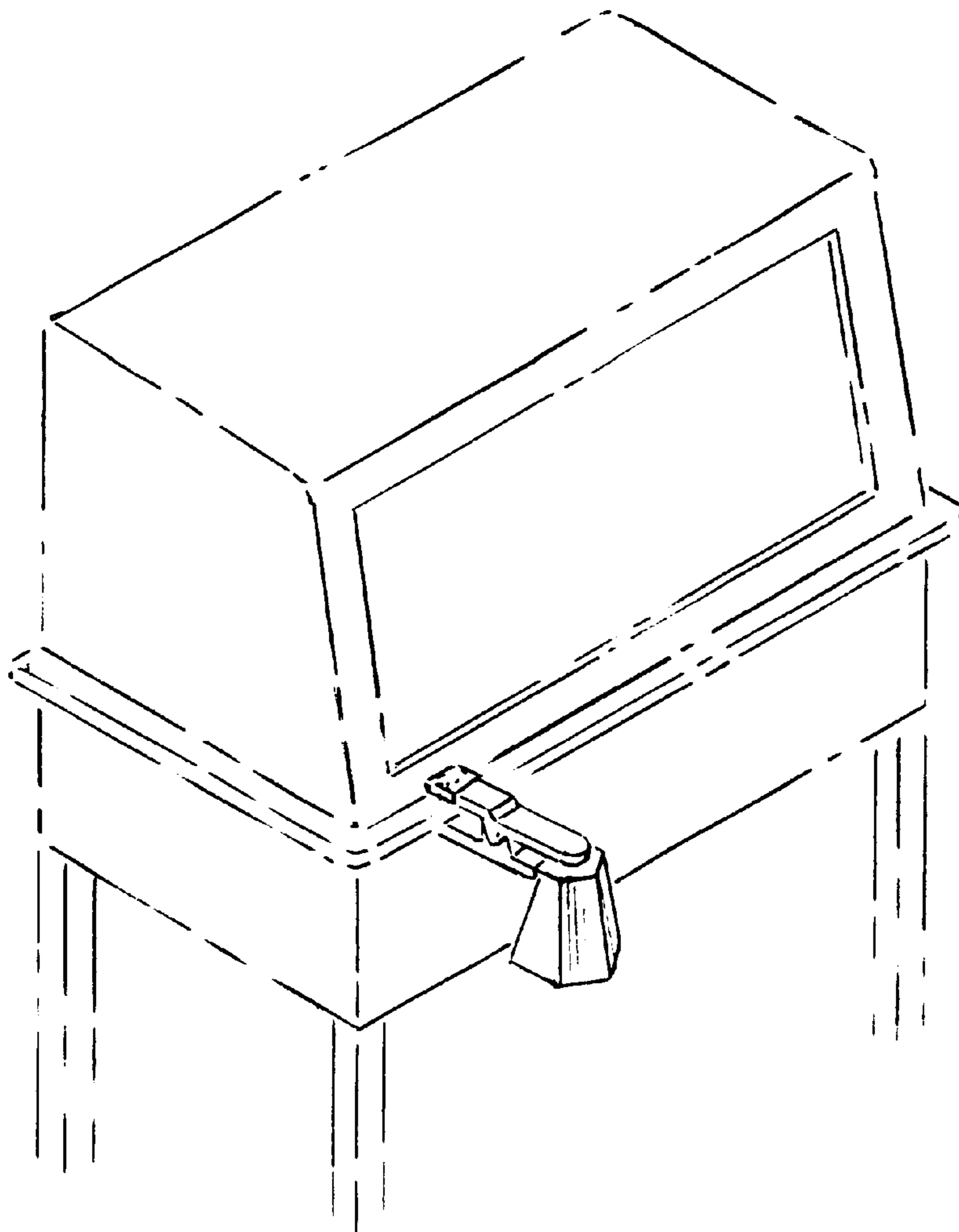
DESCRIPTION

FIG. 1 Top front left perspective view, with the broken line showing for illustrative purposes only and forming no part of the claimed design;

FIG. 2 Left side view, with the right side being a mirror image; and,

FIG. 3 Bottom view.

1 Claim, 1 Drawing Sheet



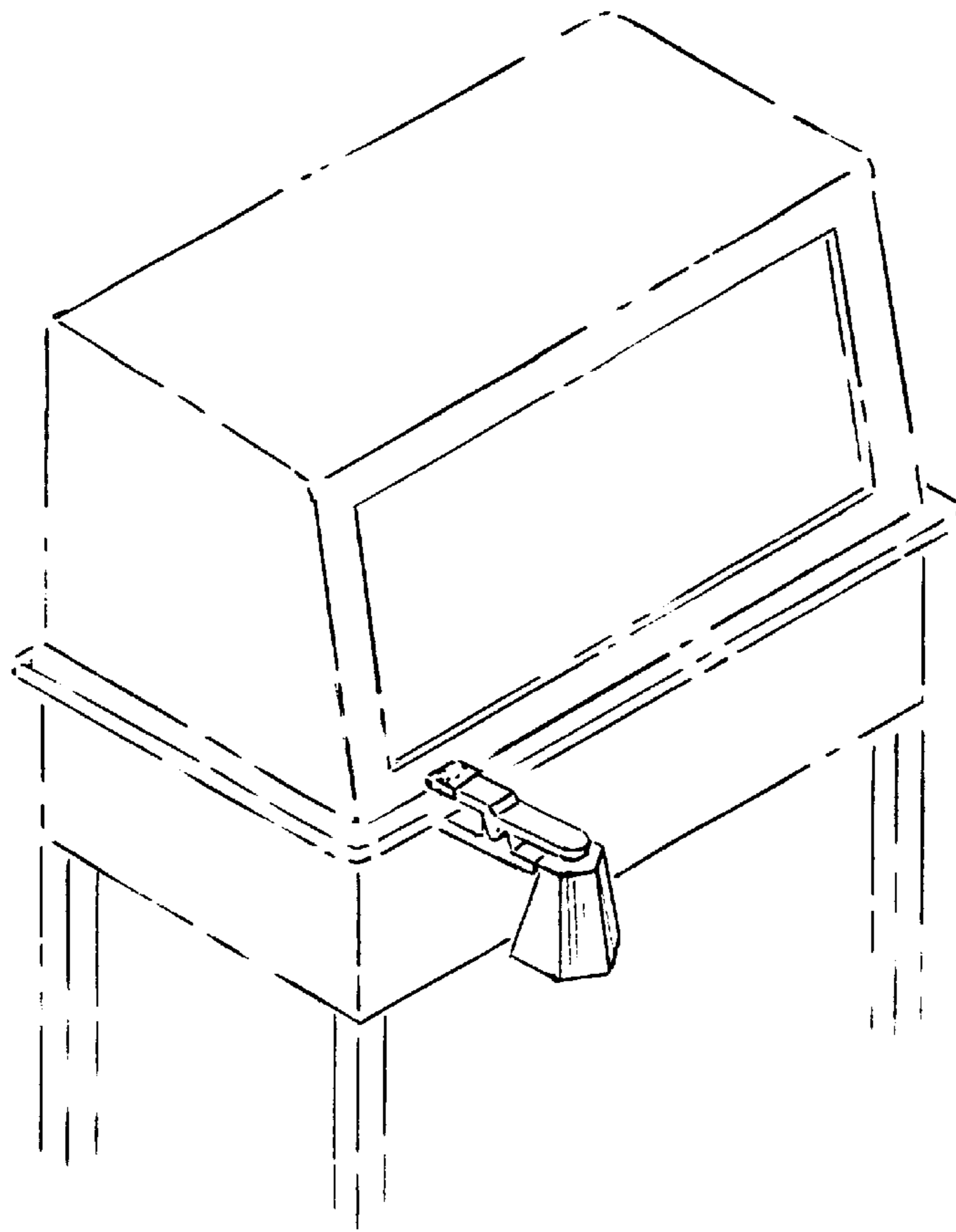


FIG 1

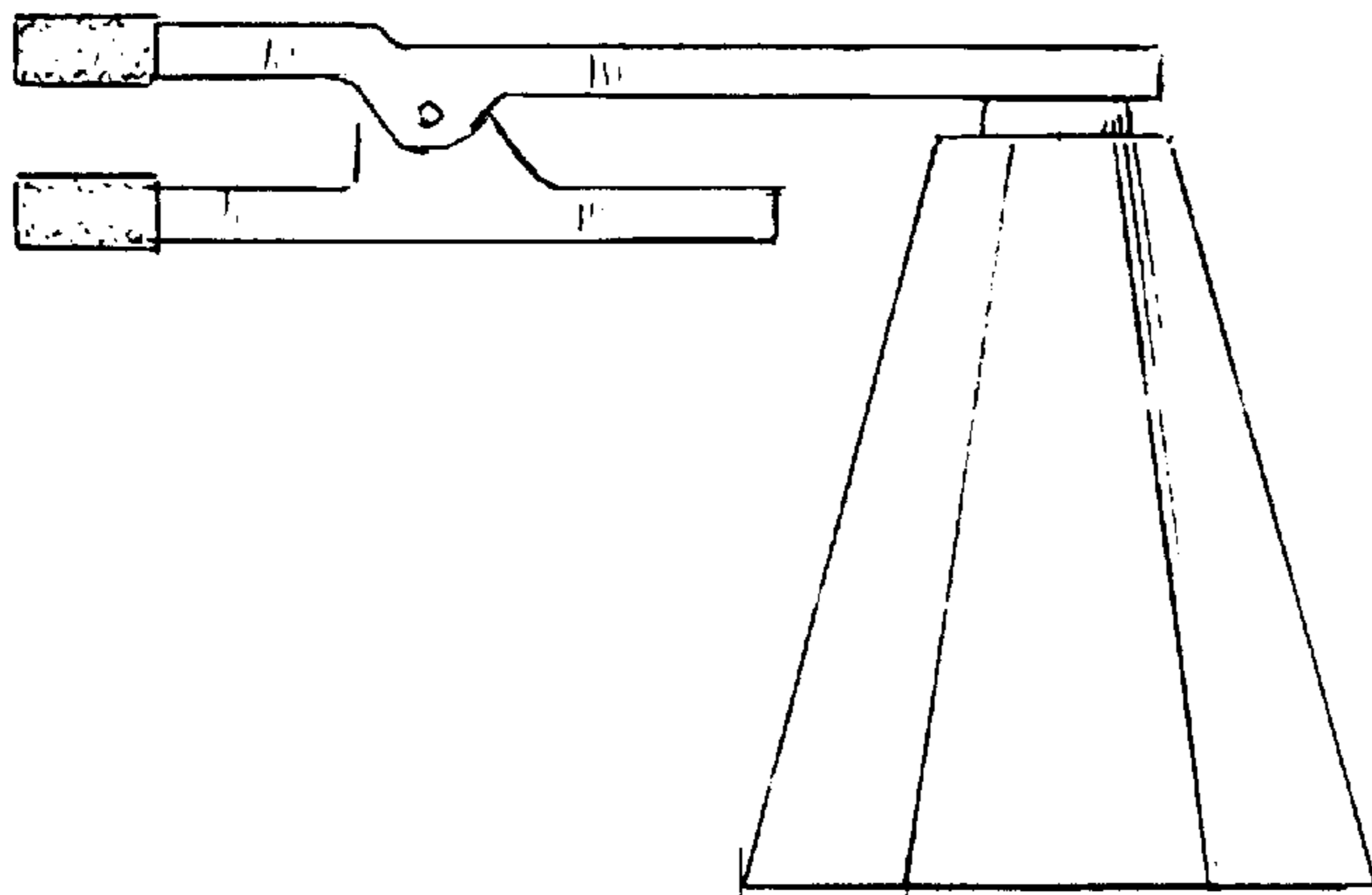


FIG. 2

FIG 3

