



US00D464750S

(12) **United States Design Patent**
Cooper

(10) **Patent No.:** **US D464,750 S**

(45) **Date of Patent:** **** Oct. 22, 2002**

(54) **CAP MOUNTED HEADLIGHT**

5,680,718 A * 10/1997 Ratcliffe et al.

(76) **Inventor:** **Ira Jeffrey Cooper**, 5153 Whites La.,
Lexington, KY (US) 40515

* cited by examiner

(**) **Term:** **14 Years**

Primary Examiner—Marcus A. Jackson
(74) *Attorney, Agent, or Firm*—King & Schickli PLLC

(21) **Appl. No.:** **29/153,277**

(57) **CLAIM**

(22) **Filed:** **Oct. 26, 2001**

The ornamental design of a cap mounted headlight, as illustrated and described.

(51) **LOC (7) Cl.** 26-06

DESCRIPTION

(52) **U.S. Cl.** D26/28

(58) **Field of Search** D26/28-36, 138,
D26/140; 248/205.5, 316.1; 362/226, 249,
306

FIG. 1 is a perspective view of the cap mounted headlight of the present invention;

FIG. 2 is a top plan view thereof;

FIG. 3 is a front elevational view thereof;

FIG. 4 is a rear elevational view thereof;

FIG. 5 is a bottom plan view thereof; and,

FIG. 6 is a right side elevational view thereof, the left side elevational view being substantially the same.

(56) **References Cited**

U.S. PATENT DOCUMENTS

- 5,319,532 A * 6/1994 Pidancet 362/226
- 5,485,358 A * 1/1996 Chien
- D382,357 S * 8/1997 Henrici et al. D26/28
- 5,667,291 A * 9/1997 Caplan et al.

1 Claim, 2 Drawing Sheets

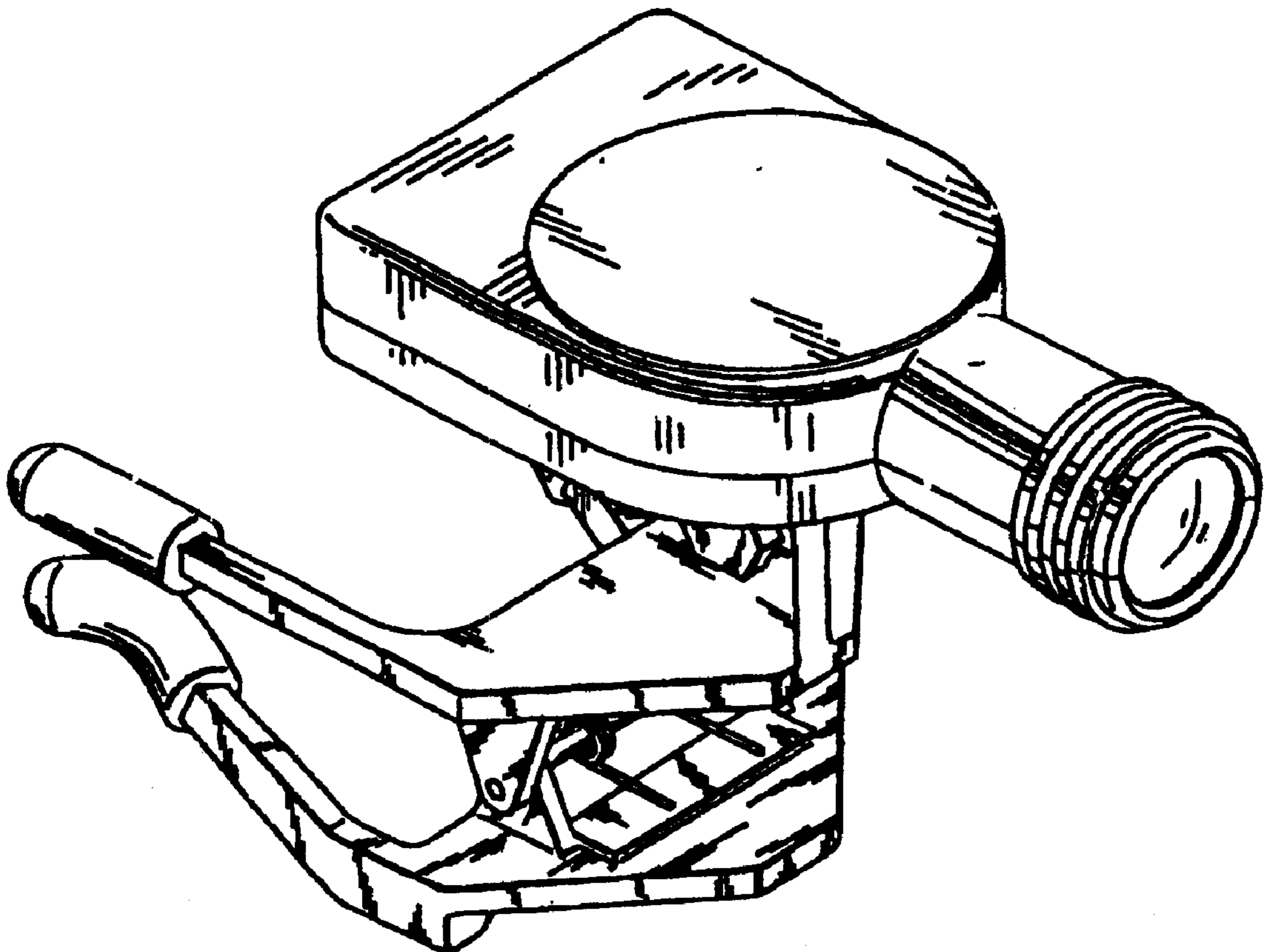


FIG. 1

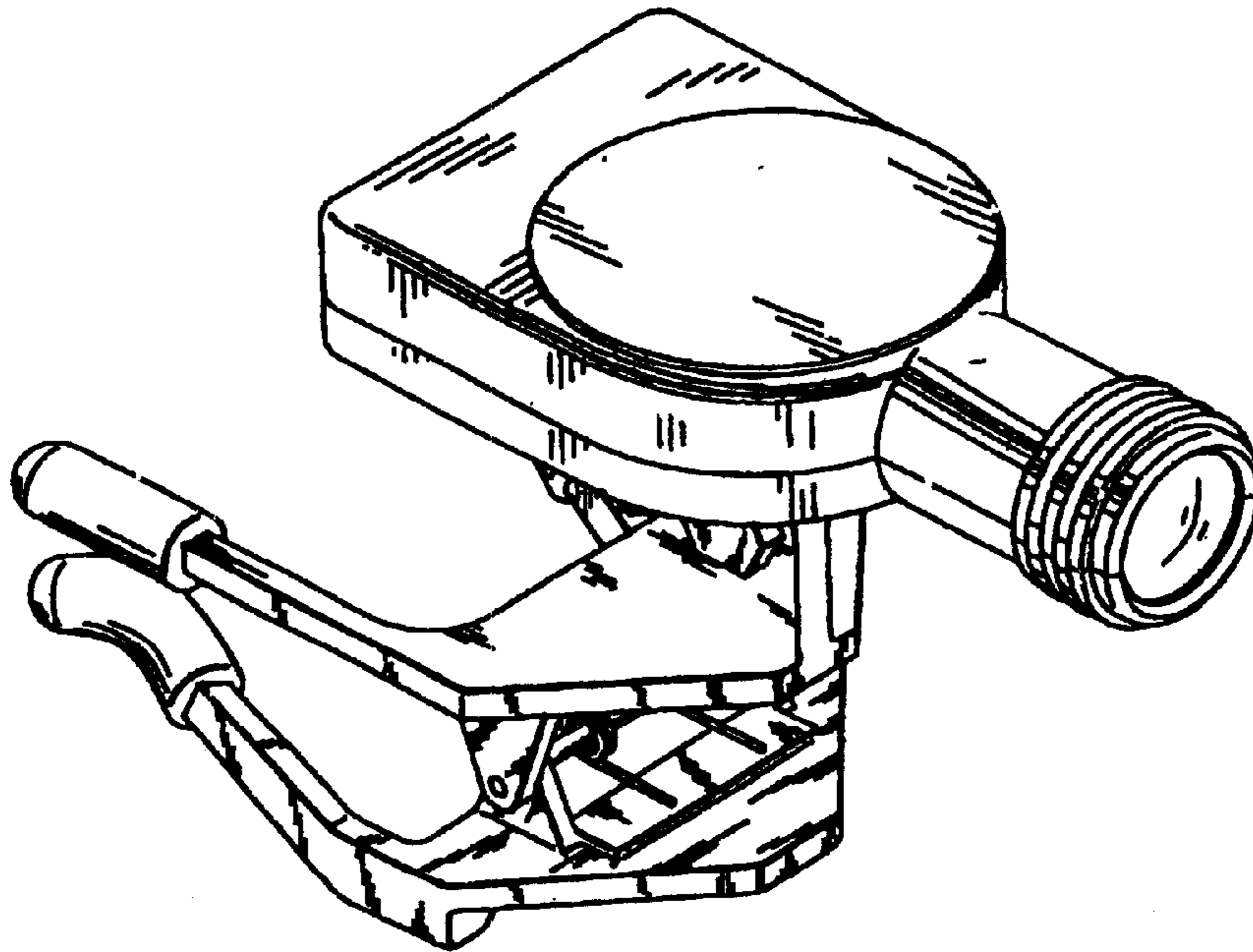


FIG. 3

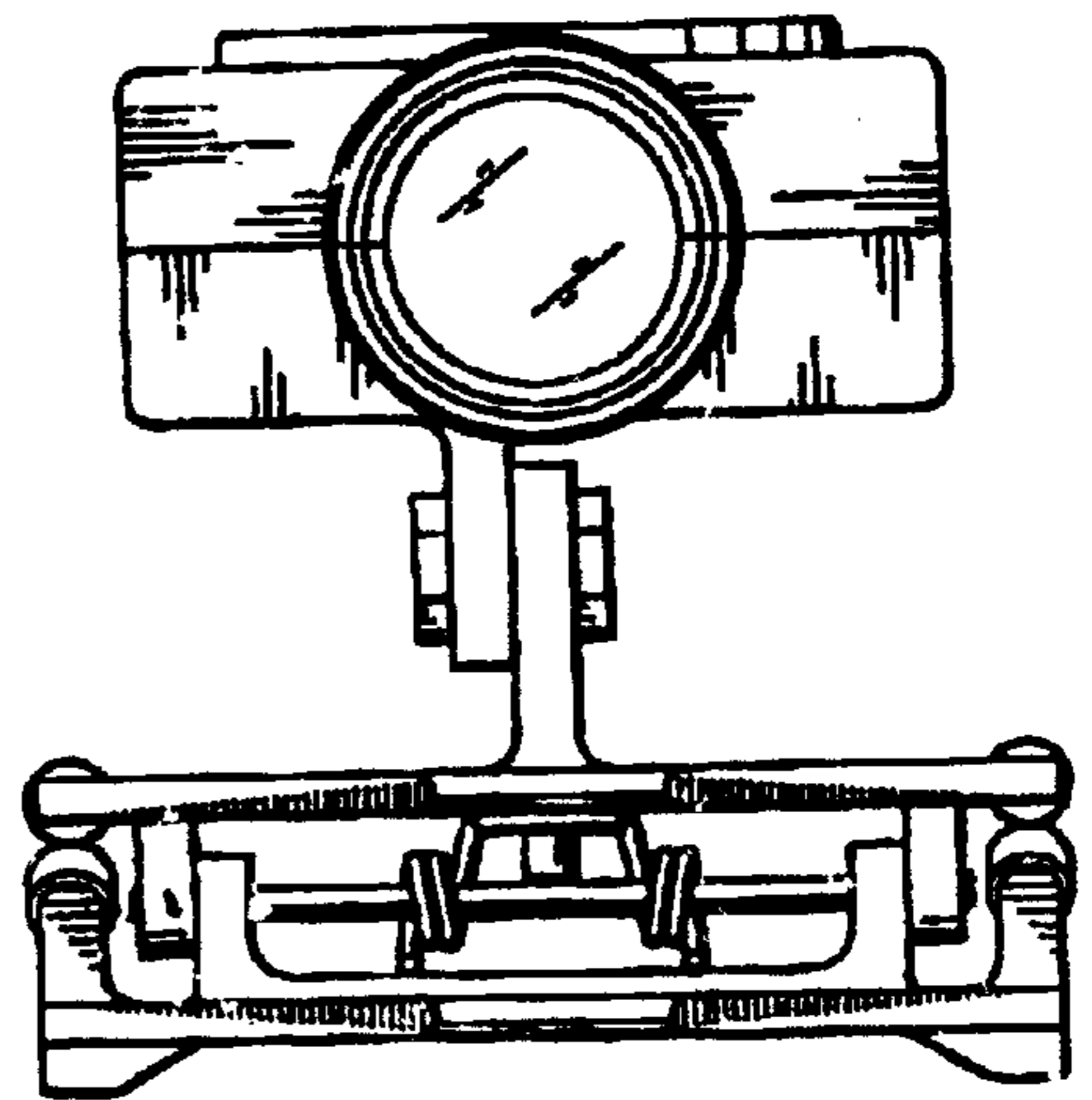


FIG. 2

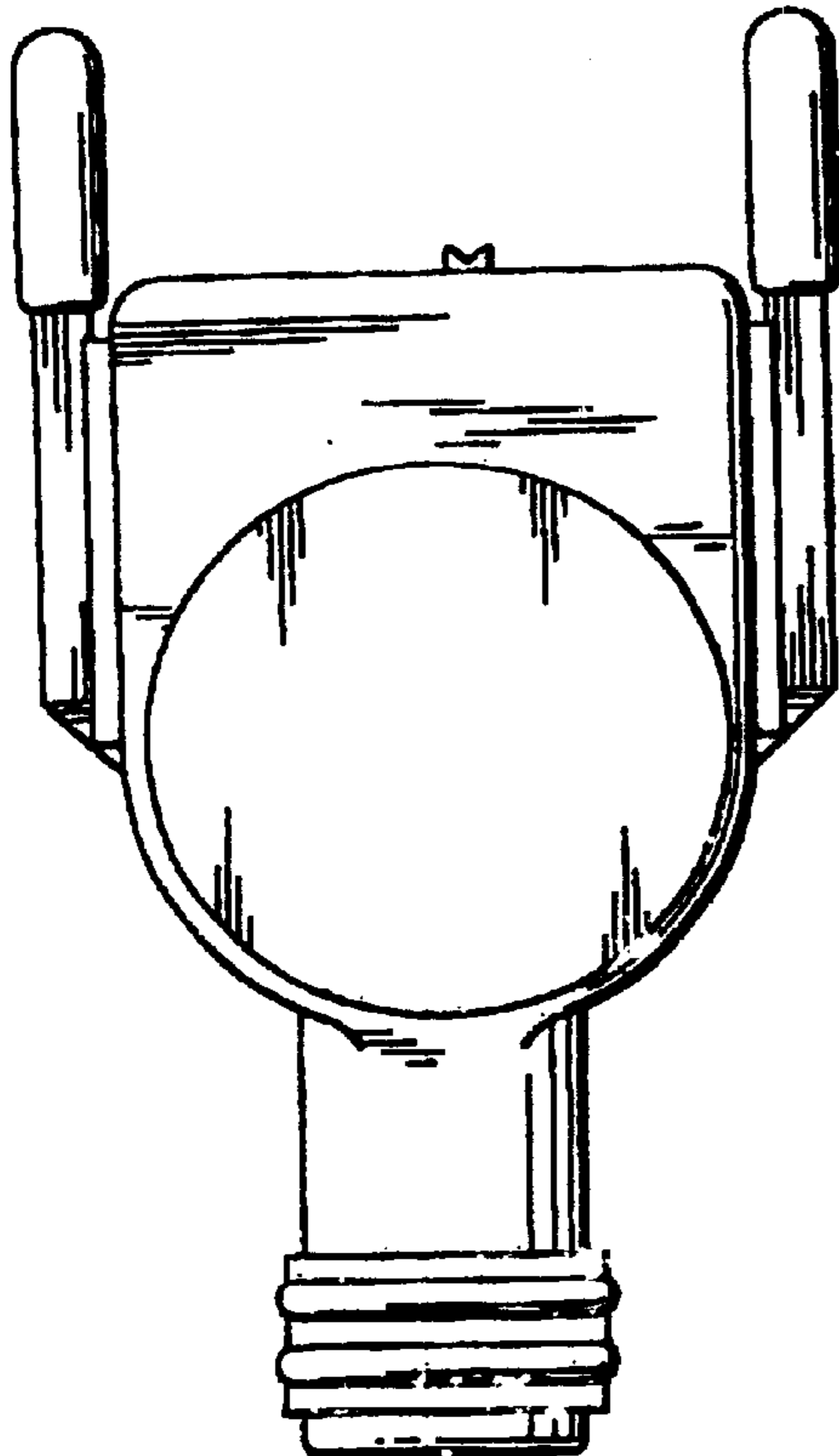


FIG. 4

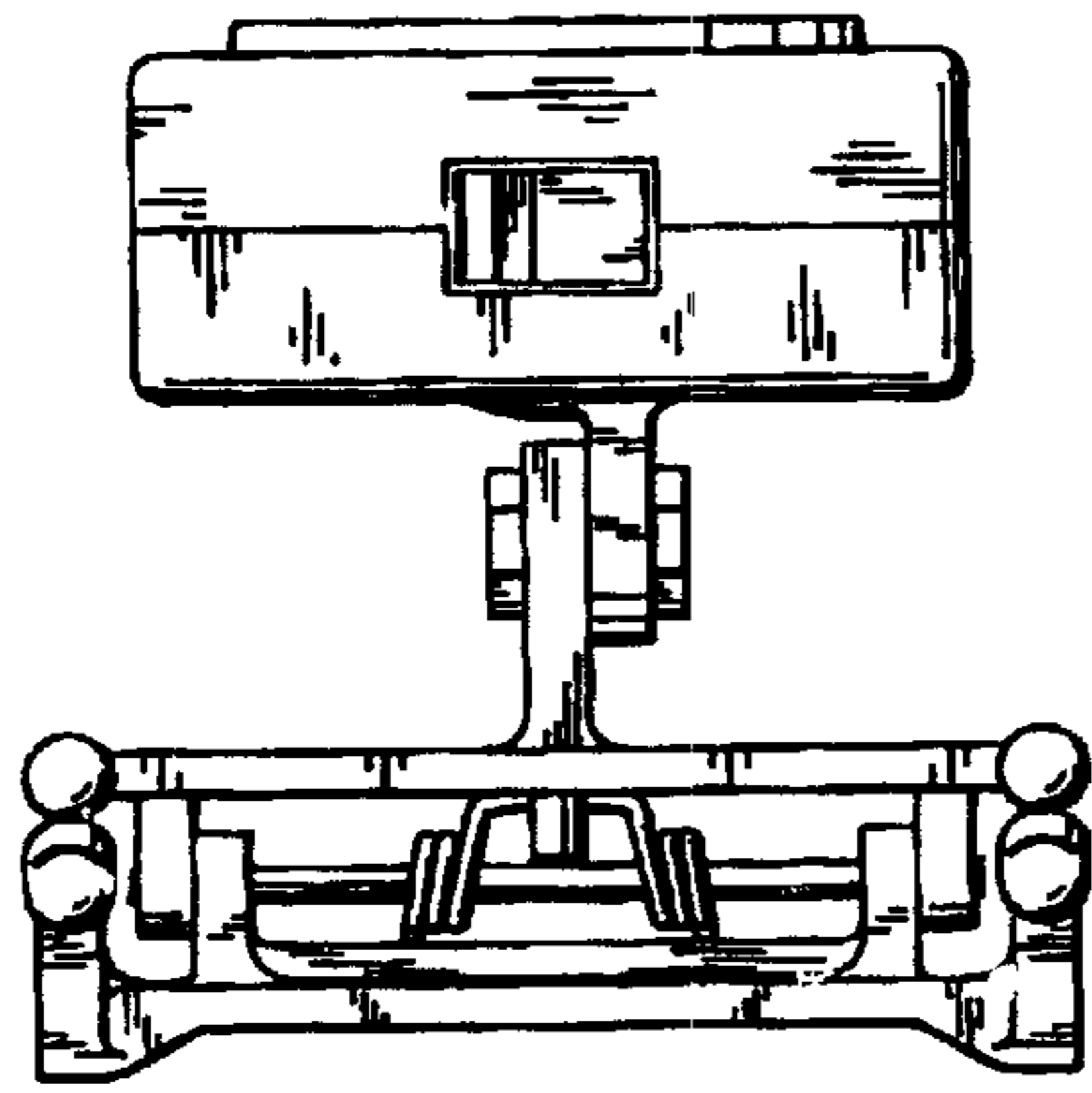


FIG. 5

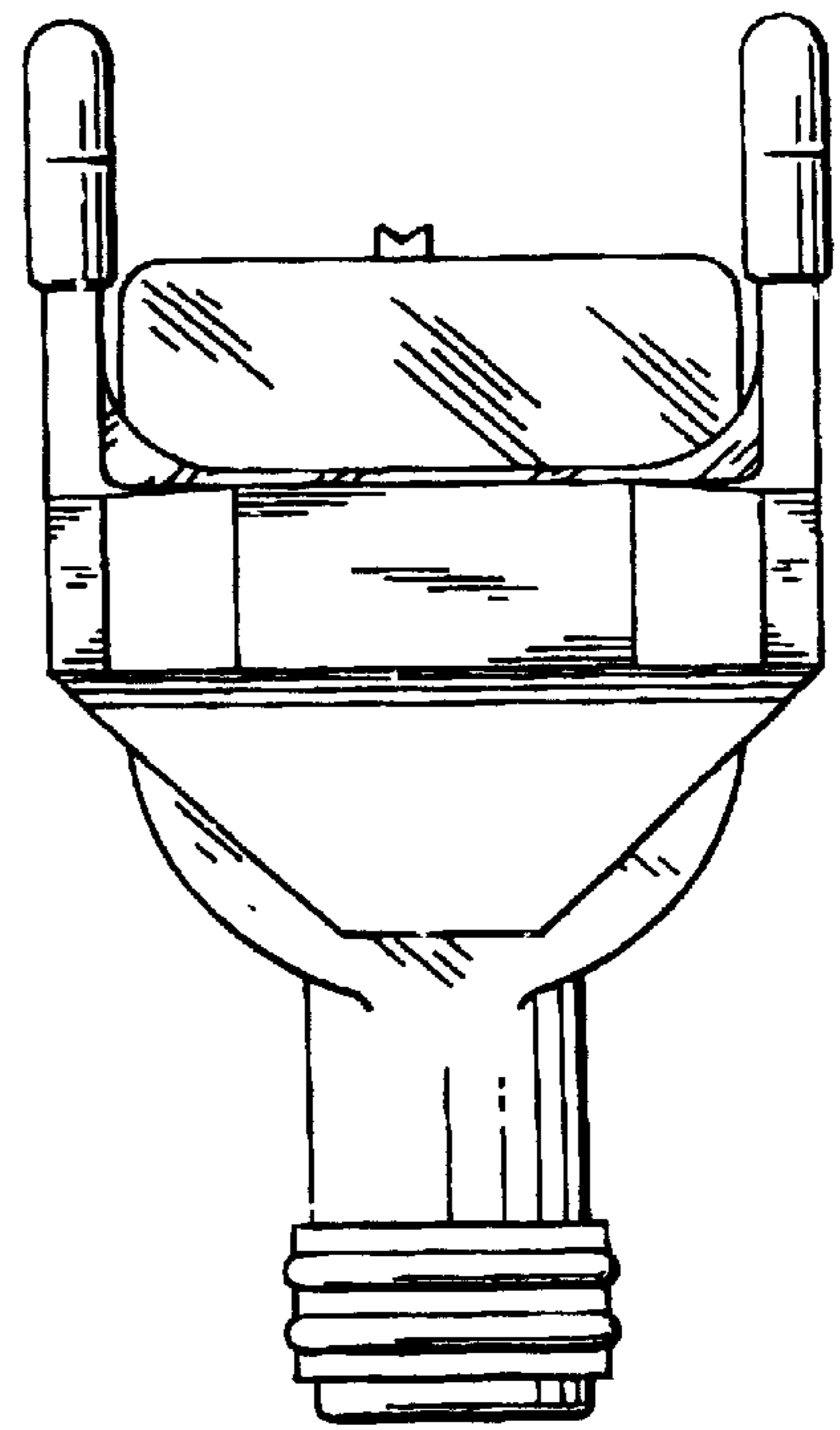


FIG. 6

