



US00D464742S

(12) **United States Design Patent**
Gregori

(10) **Patent No.:** **US D464,742 S**

(45) **Date of Patent:** **** Oct. 22, 2002**

(54) **BUILDING MEMBER**

(76) Inventor: **Karl H. W. Gregori**, 8 Lakewood Court, Hawkestone, Ontario (CA), LOC 1T0

(**) Term: **14 Years**

(21) Appl. No.: **29/151,026**

(22) Filed: **Oct. 31, 2001**

(51) **LOC (7) Cl.** **25-01**

(52) **U.S. Cl.** **D25/118**

(58) **Field of Search** D25/112-115, D25/118, 164, 199; D21/484-486, 489-491, 499-501; 404/17-21, 29-30, 32-42; 52/102, 596, 606-607, 604-605

(56) **References Cited**

U.S. PATENT DOCUMENTS

143,809 A * 10/1873 Colby 52/606
449,133 A * 3/1891 Pajeau 52/605

(List continued on next page.)

FOREIGN PATENT DOCUMENTS

FR 465102 * 11/1913 D25/113 X

OTHER PUBLICATIONS

Handbook of Design, Tile Engineering, Original types of brick and tile, FIGS. 15-18, c. 1947.*

Primary Examiner—Catherine R. Oliver
Assistant Examiner—Robert A. Delehanty
(74) *Attorney, Agent, or Firm*—Clifford W. Browning; Woodard, Emhardt, Naughton, Moriarty & McNett

(57) **CLAIM**

The ornamental design for a building member, as shown and described.

DESCRIPTION

FIG. 1 is a right hand side perspective view of a first embodiment of a building member showing my new design,

the left hand side perspective view being a mirror image thereof;

FIG. 2 is a right end view of the building member shown on an enlarged scale of FIG. 1, the left end view being the same as the right end view;

FIG. 3 is a front view of the building member of FIG. 1, the rear view being the same as the front view;

FIG. 4 is a top plan view of the building member of FIG. 1, the bottom plan view being the same as the top plan view; FIG. 5 is a right hand side perspective view of a second embodiment of a building member showing my new design, the left hand side perspective view being a mirror image thereof;

FIG. 6 is a right end view of the building member shown on an enlarged scale of FIG. 5, the left end view being the same as the right end view;

FIG. 7 is a top plan view of the building member of FIG. 5, the bottom plan view being the same as the top plan view; FIG. 8 is a front view of the building member of FIG. 5, the rear view being the same as the front view;

FIG. 9 is a right hand side perspective view of a third embodiment of a building member showing my new design, the left hand side perspective view being a mirror image thereof;

FIG. 10 is a right end view of the building member shown on an enlarged scale of FIG. 9, the left end view being the same as the right end view;

FIG. 11 is a top plan view of the building member of FIG. 9, the bottom plan view being the same as the top plan view; FIG. 12 is a front view of the building member of FIG. 9, the rear view being the same as the front view;

FIG. 13 is a right hand side perspective view of a fourth embodiment of a building member showing my new design, the left hand side perspective view being a mirror image thereof;

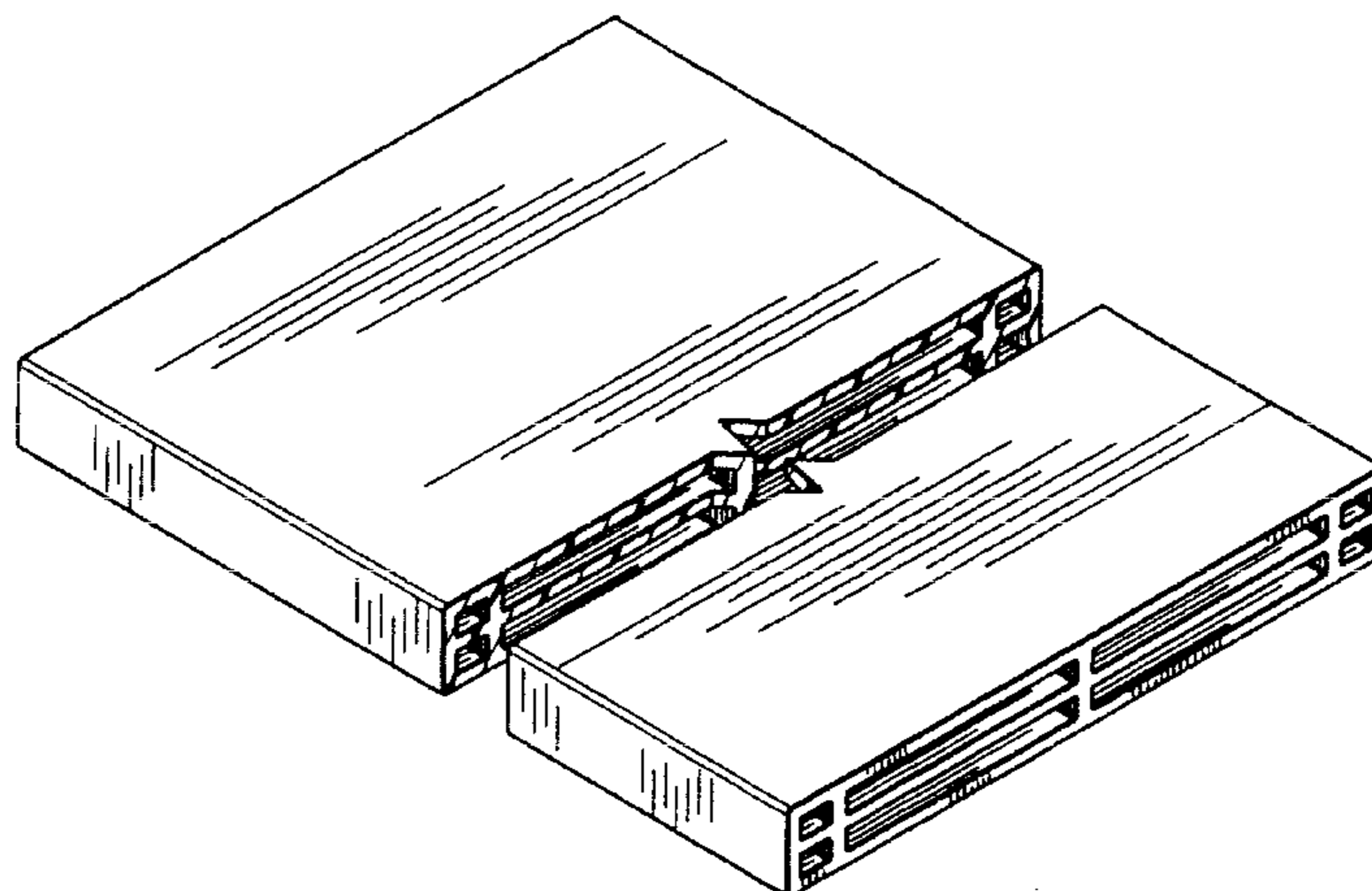
FIG. 14 is a right end view of the building member shown on an enlarged scale of FIG. 13, the left end view being the same as the right end view;

FIG. 15 is a top plan view of the building member of FIG. 13, the bottom plan view being the same as the top plan view; and,

FIG. 16 is a front view of the building member of FIG. 13, the rear view being the same as the front view.

The building member is shown broken away to indicate indeterminate length.

1 Claim, 8 Drawing Sheets



US D464,742 S

Page 2

U.S. PATENT DOCUMENTS

1,441,156 A *	1/1923	Kindstrom	D25/114 X	2,074,592 A *	3/1937	Rowell	52/604 X
1,633,193 A *	6/1927	Reagan	D25/118 X	2,192,723 A *	3/1940	Whitacre	52/605
1,771,275 A *	7/1930	Stamm	52/606 X	3,435,567 A *	4/1969	Tyson	D25/118 X
2,060,791 A *	11/1936	Cockrell et al.	52/605				

* cited by examiner

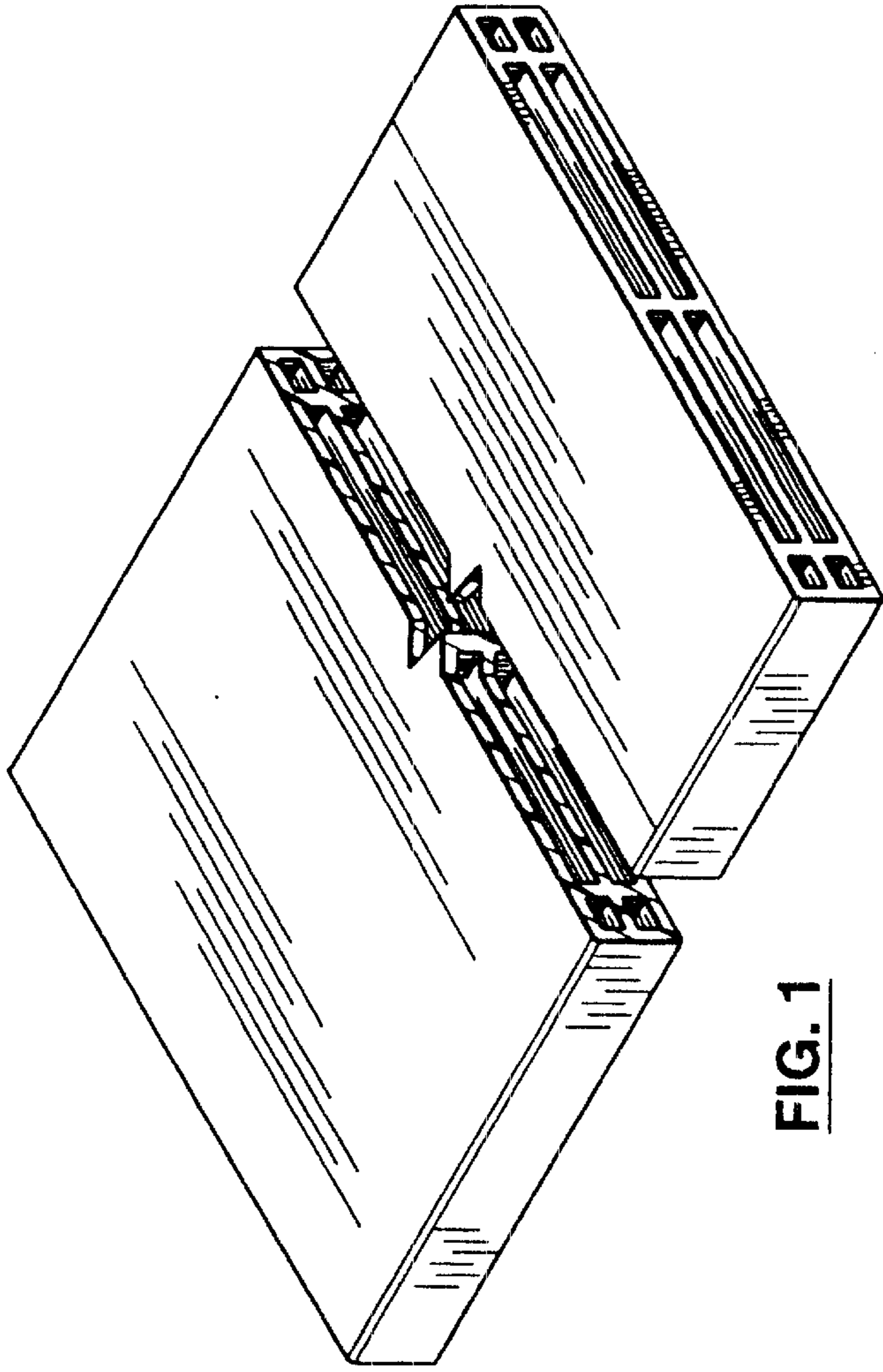


FIG. 1

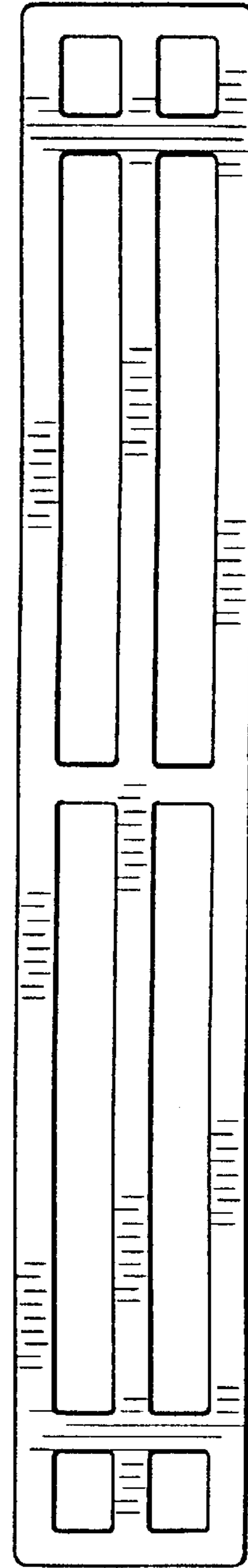


FIG. 2

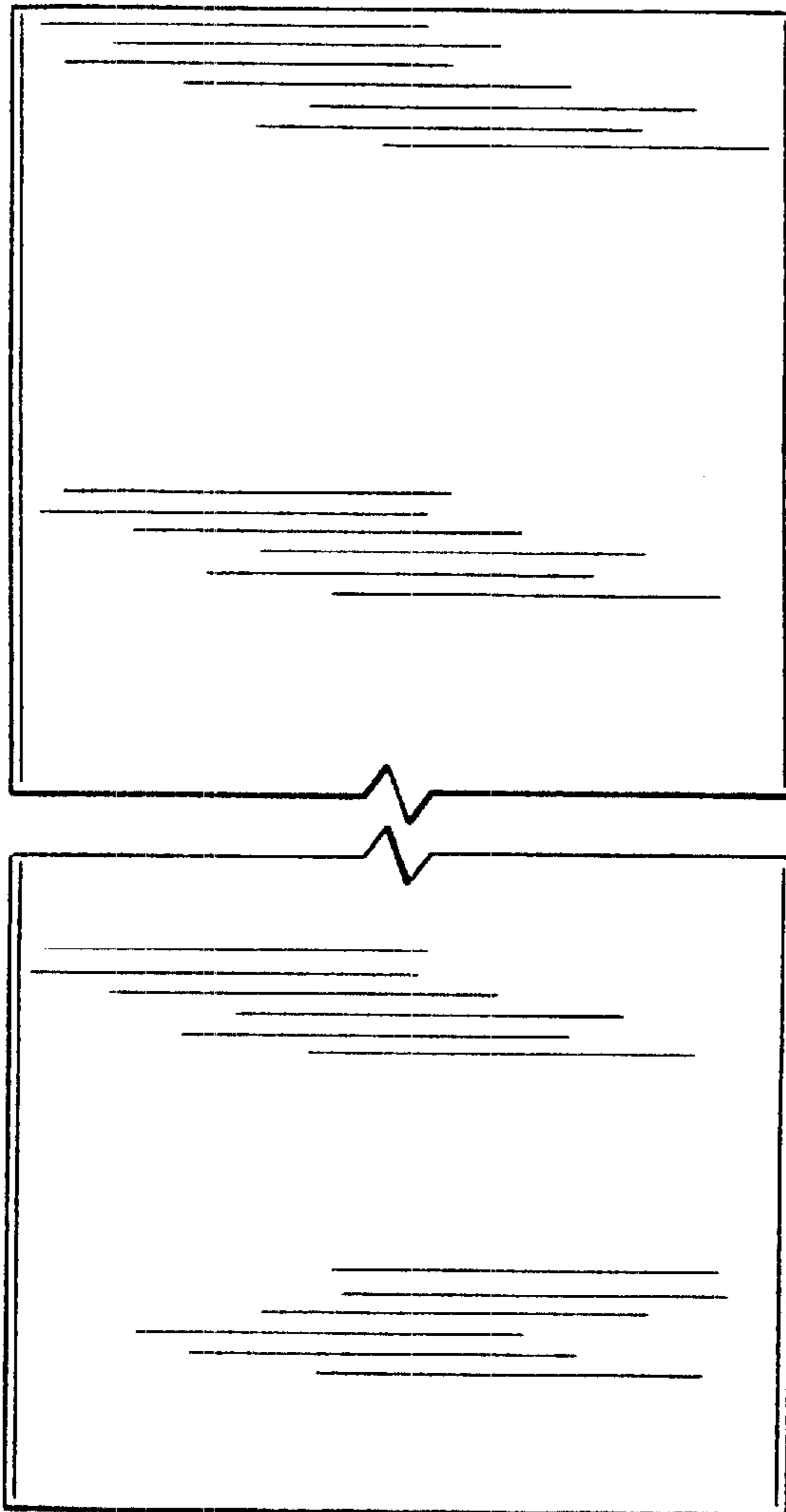


FIG. 4

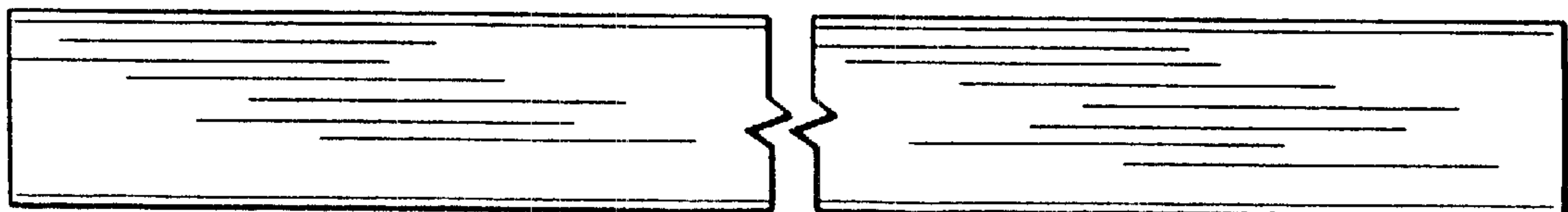


FIG. 3

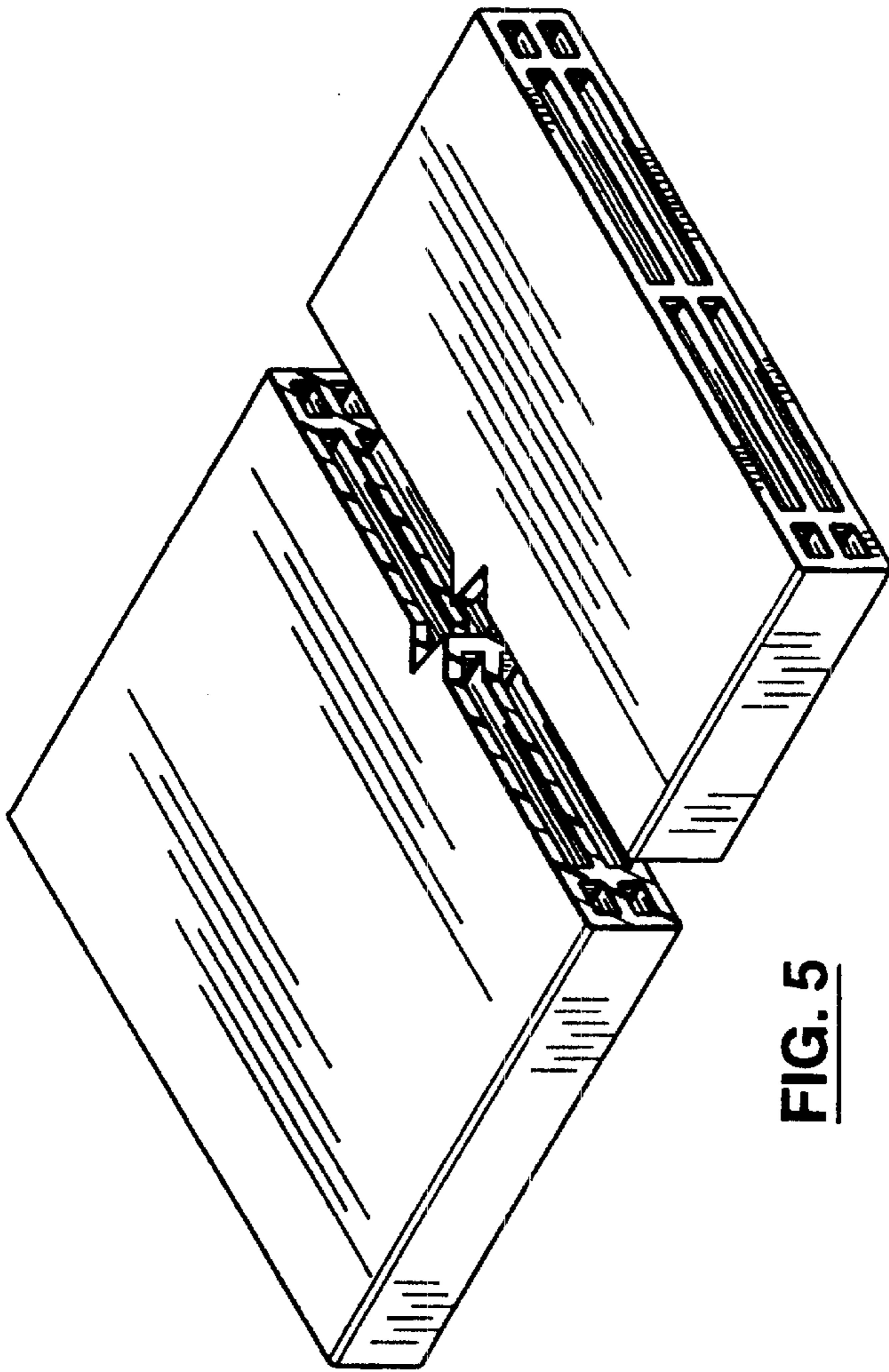


FIG. 5

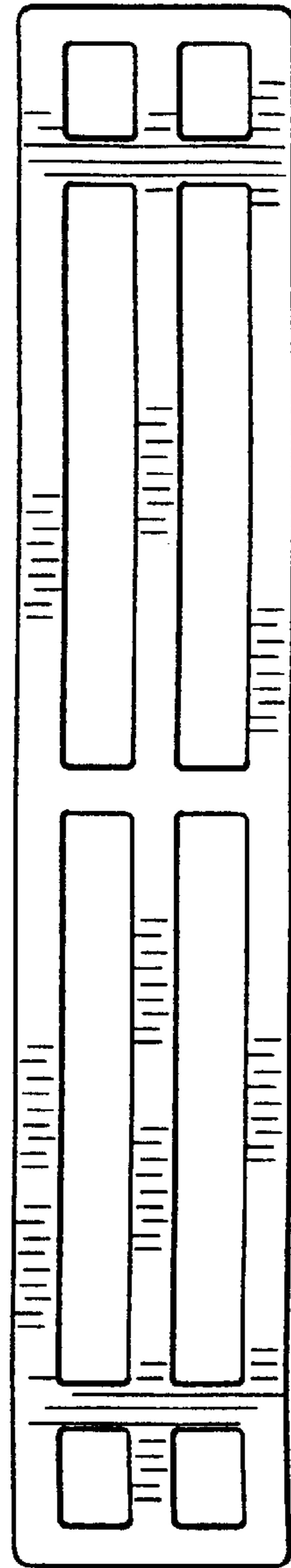


FIG. 6

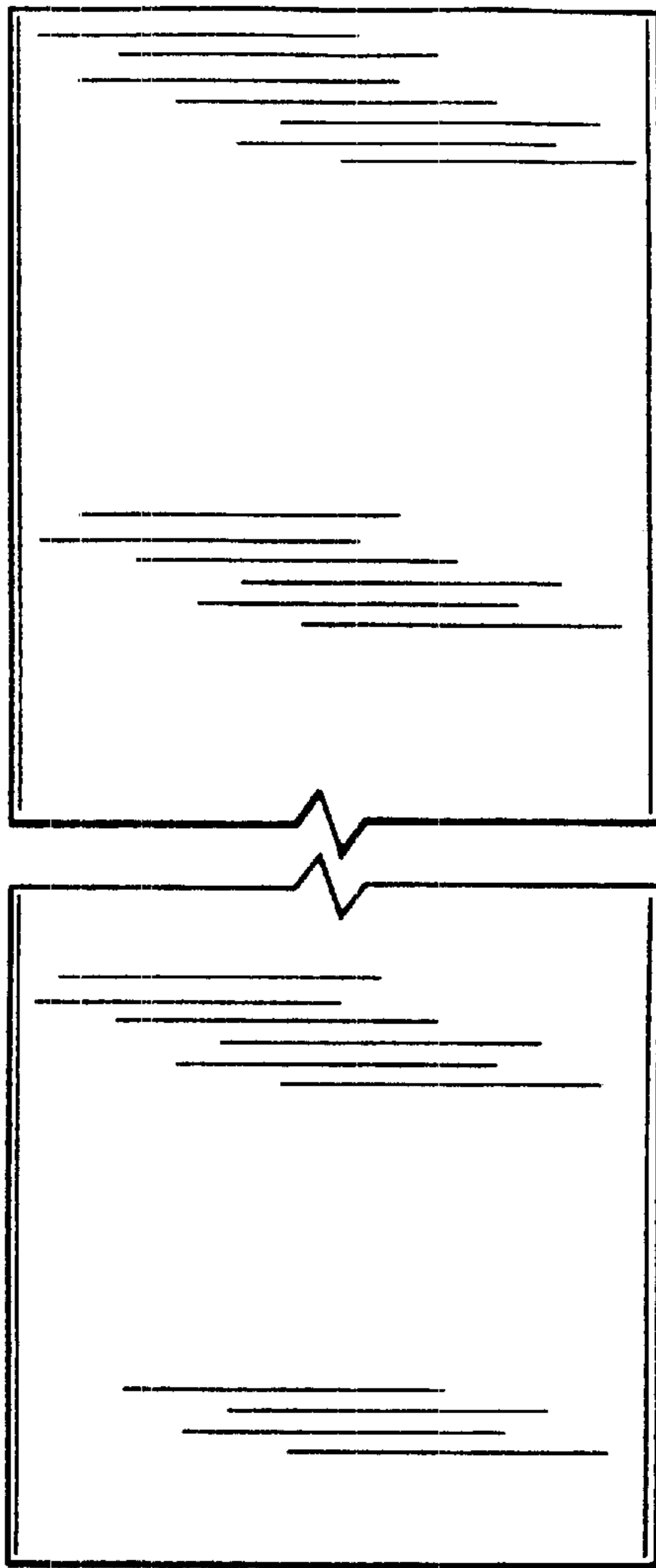


FIG. 7

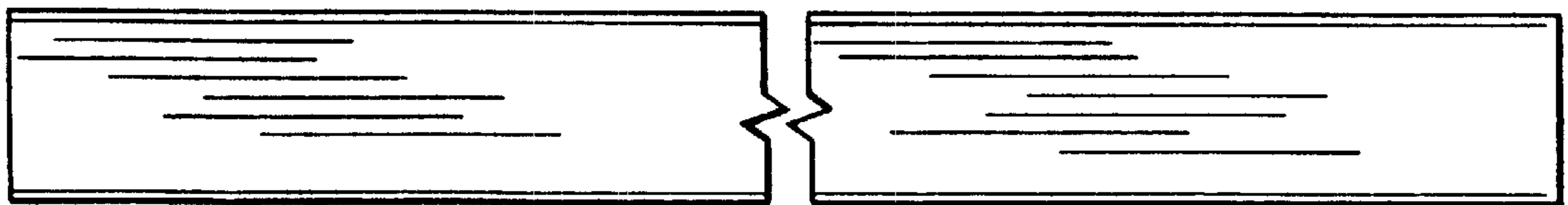


FIG. 8

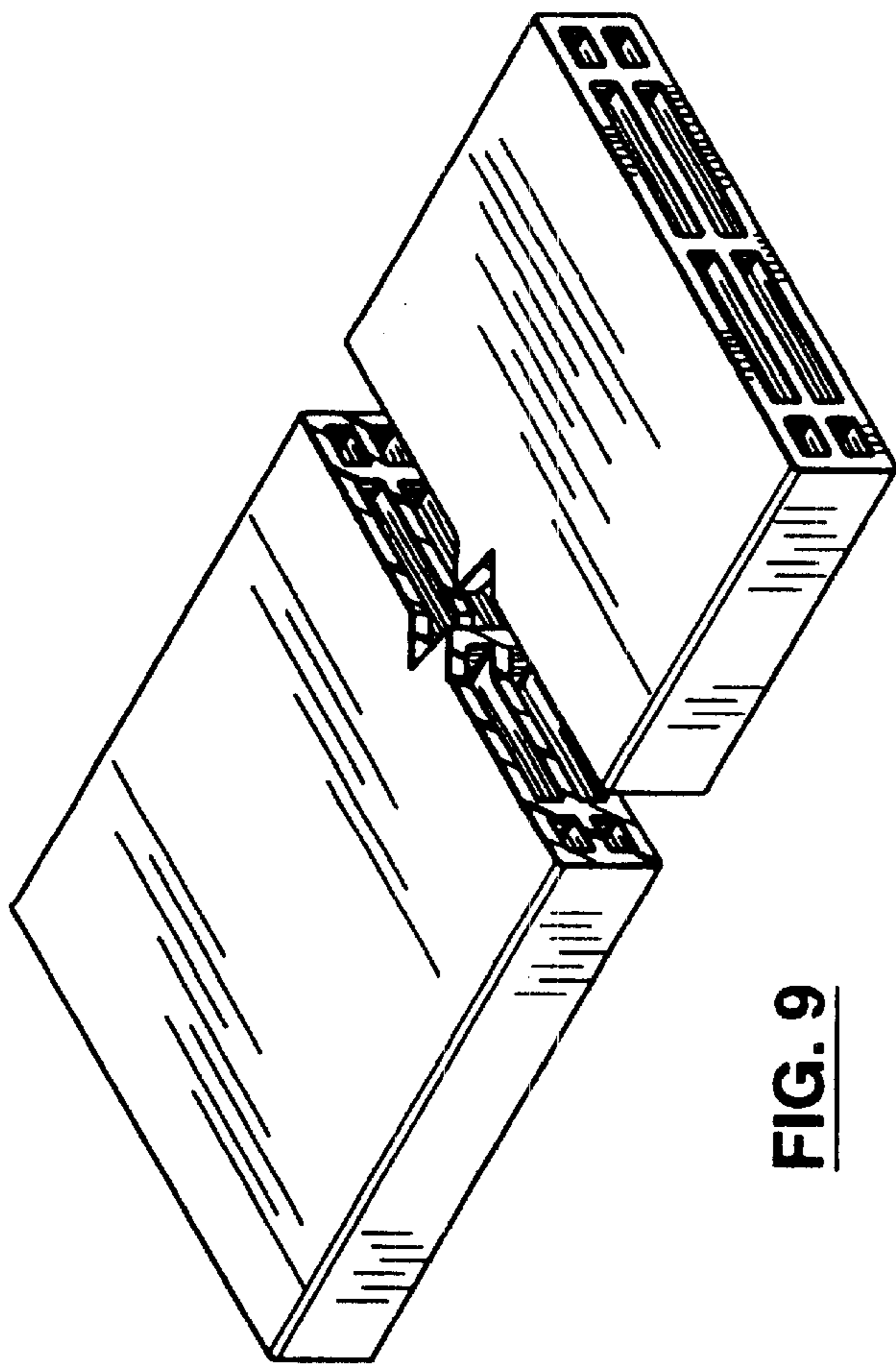


FIG. 9

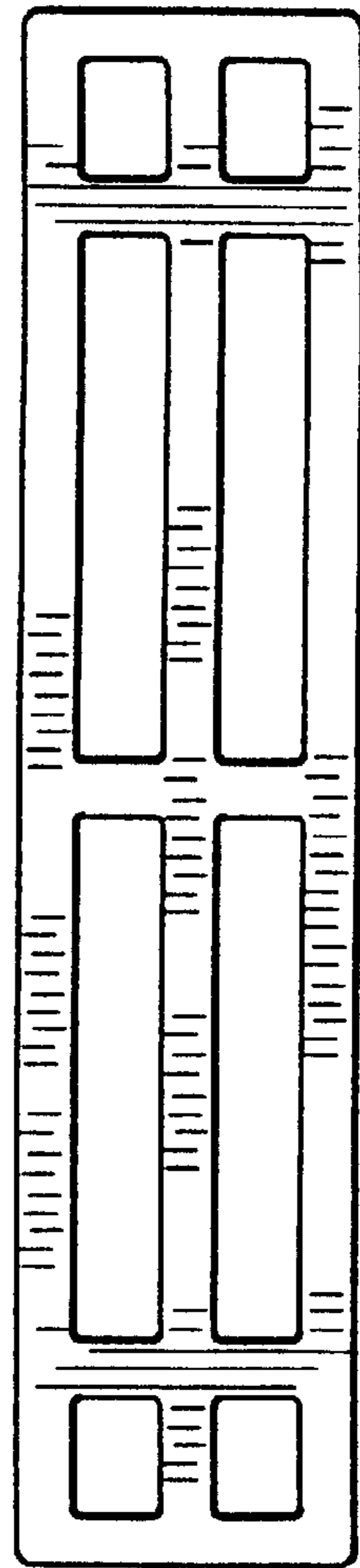


FIG. 10

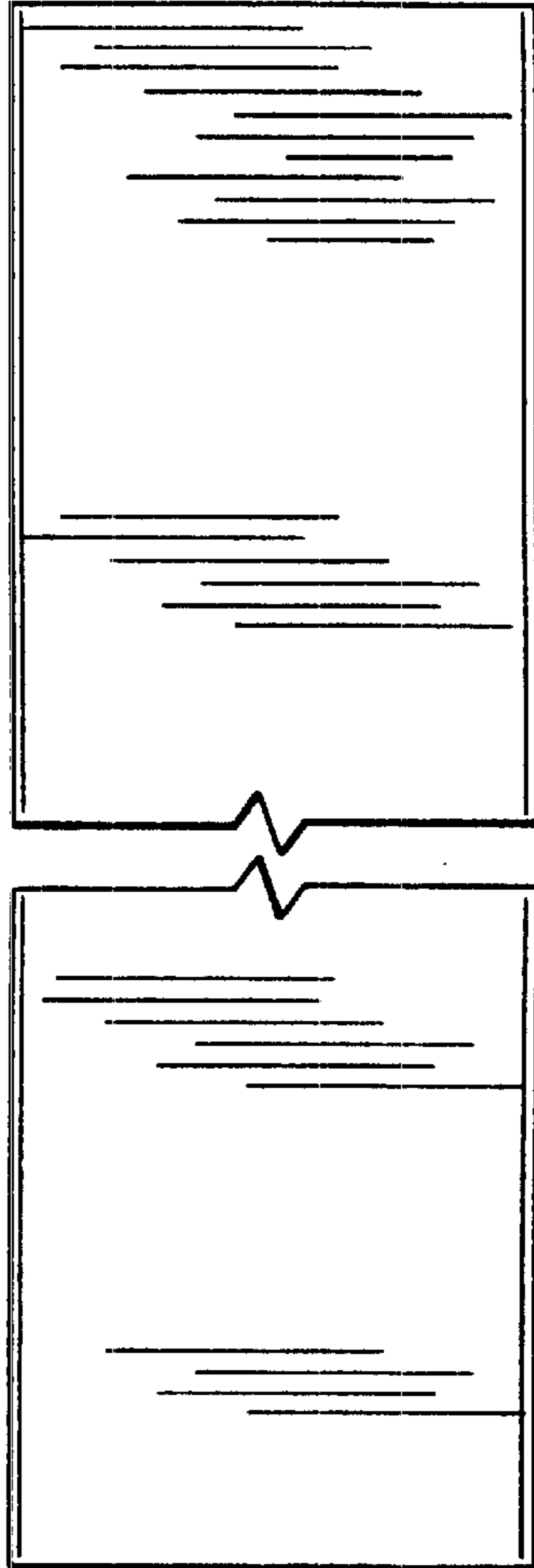


FIG. 11

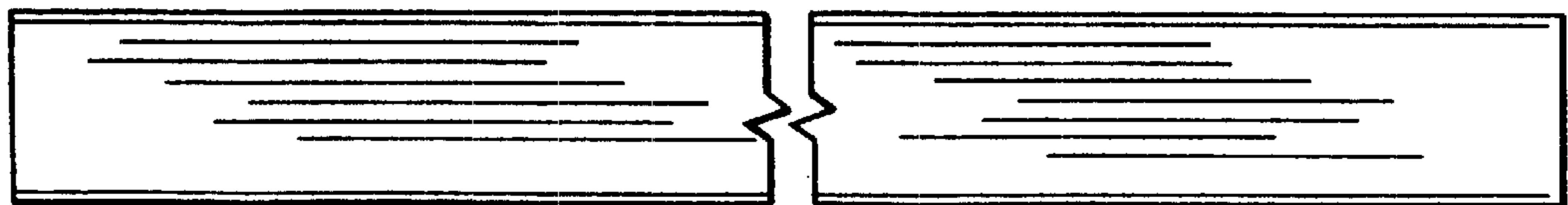


FIG. 12

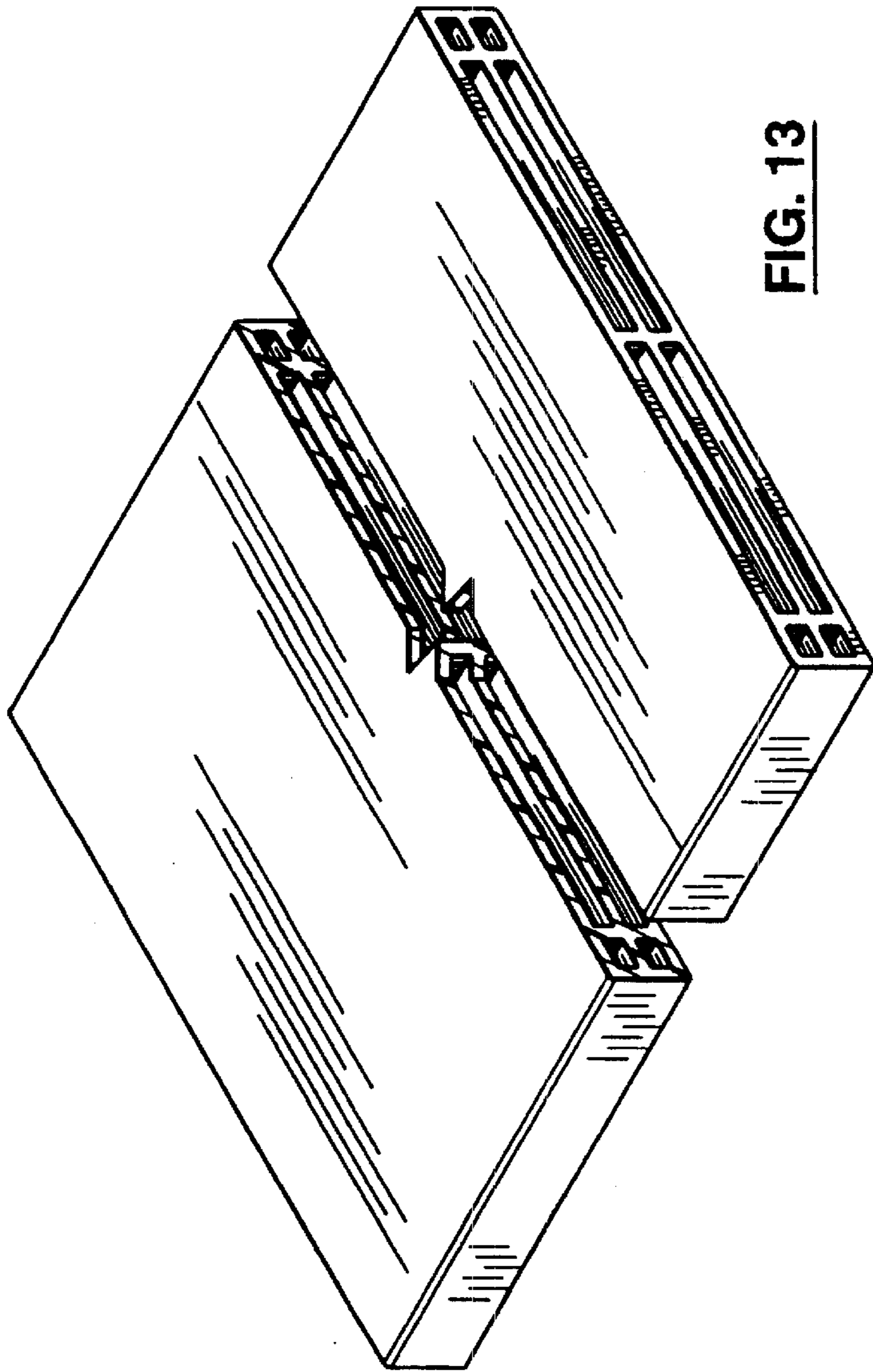


FIG. 13

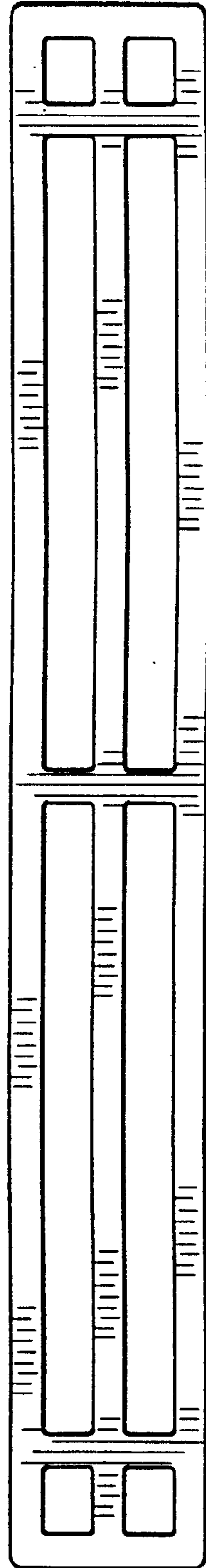


FIG. 14

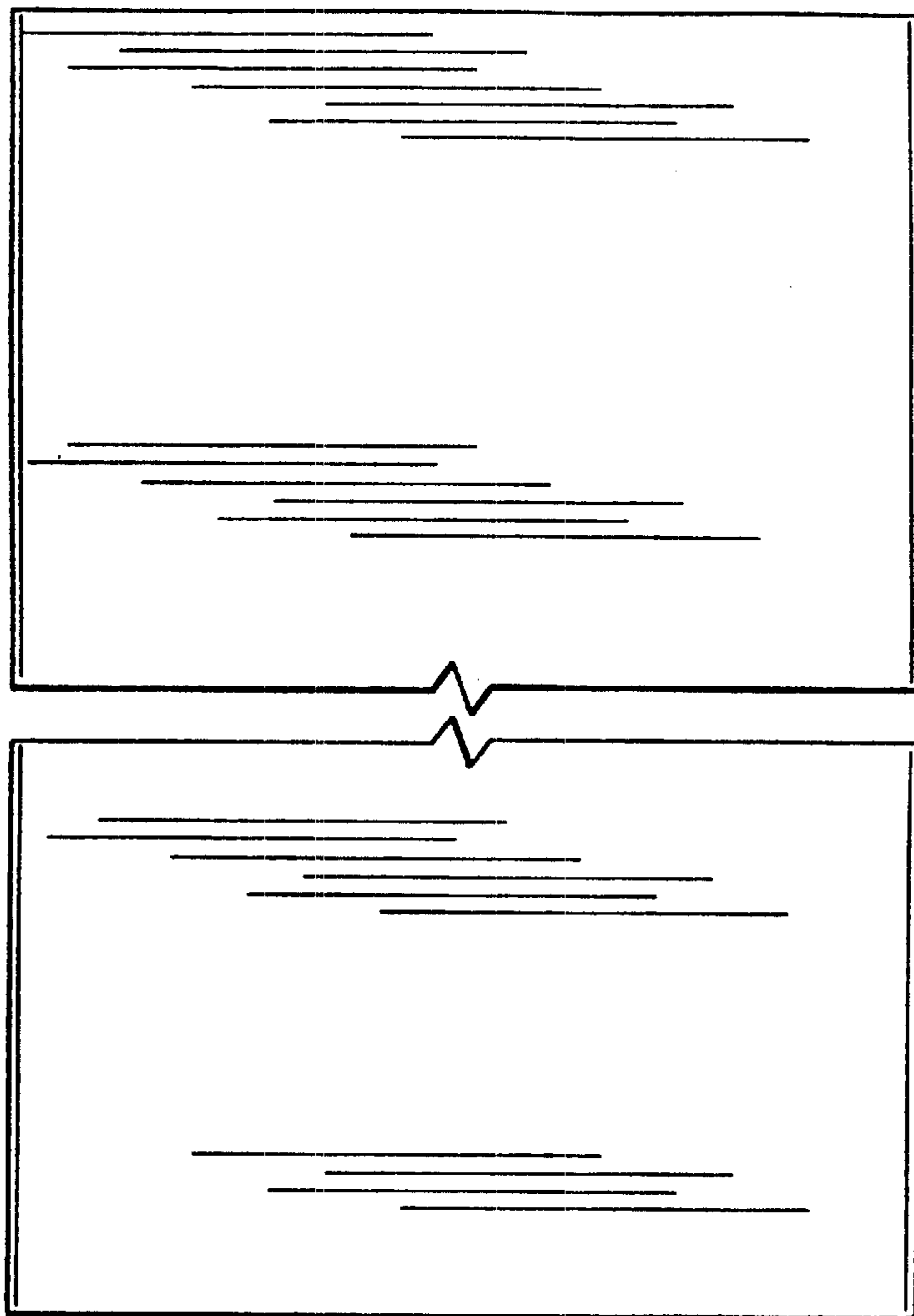


FIG. 15

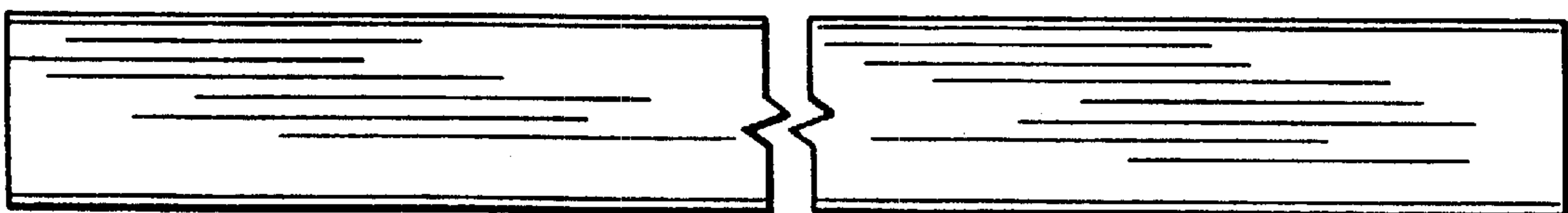


FIG. 16