



US00D464732S

(12) **United States Design Patent**
Huffman

(10) **Patent No.:** **US D464,732 S**

(45) **Date of Patent:** **** Oct. 22, 2002**

(54) **DENTAL MODEL BASE HAVING TWO ROWS OF STATIONARY PINS FOR RANDOM LOCATION OF TEETH**

4,116,416 A 9/1978 Segura
4,122,606 A 10/1978 Roman
4,127,939 A 12/1978 Samuel et al.

(List continued on next page.)

(75) **Inventor:** **Ronald E. Huffman**, P.O. Box 1328,
Sapulpa, OK (US) 74066

FOREIGN PATENT DOCUMENTS

(73) **Assignee:** **Ronald E. Huffman**, Oro Valley, AZ
(US)

DE	3 436 094 A1	10/1984
DE	3 505 680 A1	7/1985
DE	3 521 137 A1	12/1986
DE	3 825 014 A1	1/1990
EP	0 210 484 A2	2/1985
EP	0 151 086 A2	8/1985
EP	0 277 026 A2	8/1988
EP	0 291 821 A1	11/1988
EP	0 528 335 A1	2/1993
FR	2 750 851 A1	1/1998
GB	866118	4/1961
GB	886118	1/1962
WO	WO 88/10101	12/1988

(**) **Term:** **14 Years**

(21) **Appl. No.:** **29/148,418**

(22) **Filed:** **Sep. 19, 2001**

(51) **LOC (7) Cl.** **24-01**

(52) **U.S. Cl.** **D24/176**

(58) **Field of Search** D24/176, 181;
249/124; 269/334; 433/34, 54, 60, 61, 64,
74, 213

Primary Examiner—Antoine Duval Davis

(74) *Attorney, Agent, or Firm*—Merchant & Gould P.C.

(56) **References Cited**

(57) **CLAIM**

U.S. PATENT DOCUMENTS

The ornamental design for dental model base having two rows of stationary pins for random location of teeth, as shown and described.

921,791 A	5/1909	Benson
967,086 A	8/1910	Tuttle
1,013,028 A	12/1911	Lee
1,745,570 A	2/1930	Dimelow
1,772,027 A	8/1930	Baumgarten
1,780,117 A	10/1930	Craigo
2,031,996 A	2/1936	Zelesnick
2,398,671 A	4/1946	Saffir
2,585,857 A	2/1952	Schwartz
2,842,845 A	7/1958	Carlson
3,453,736 A	7/1969	Waltke
3,478,428 A	11/1969	Stengel
3,518,761 A	7/1970	Susman et al.
3,581,398 A	6/1971	Thomas
3,934,348 A	1/1976	Janjic
3,937,773 A	2/1976	Huffman
3,969,820 A	7/1976	Kulig et al.
4,021,916 A	5/1977	Spalten
4,022,419 A	5/1977	Haker

DESCRIPTION

FIG. 1 is a perspective view of the present invention.

FIG. 2 is a top plan view thereof.

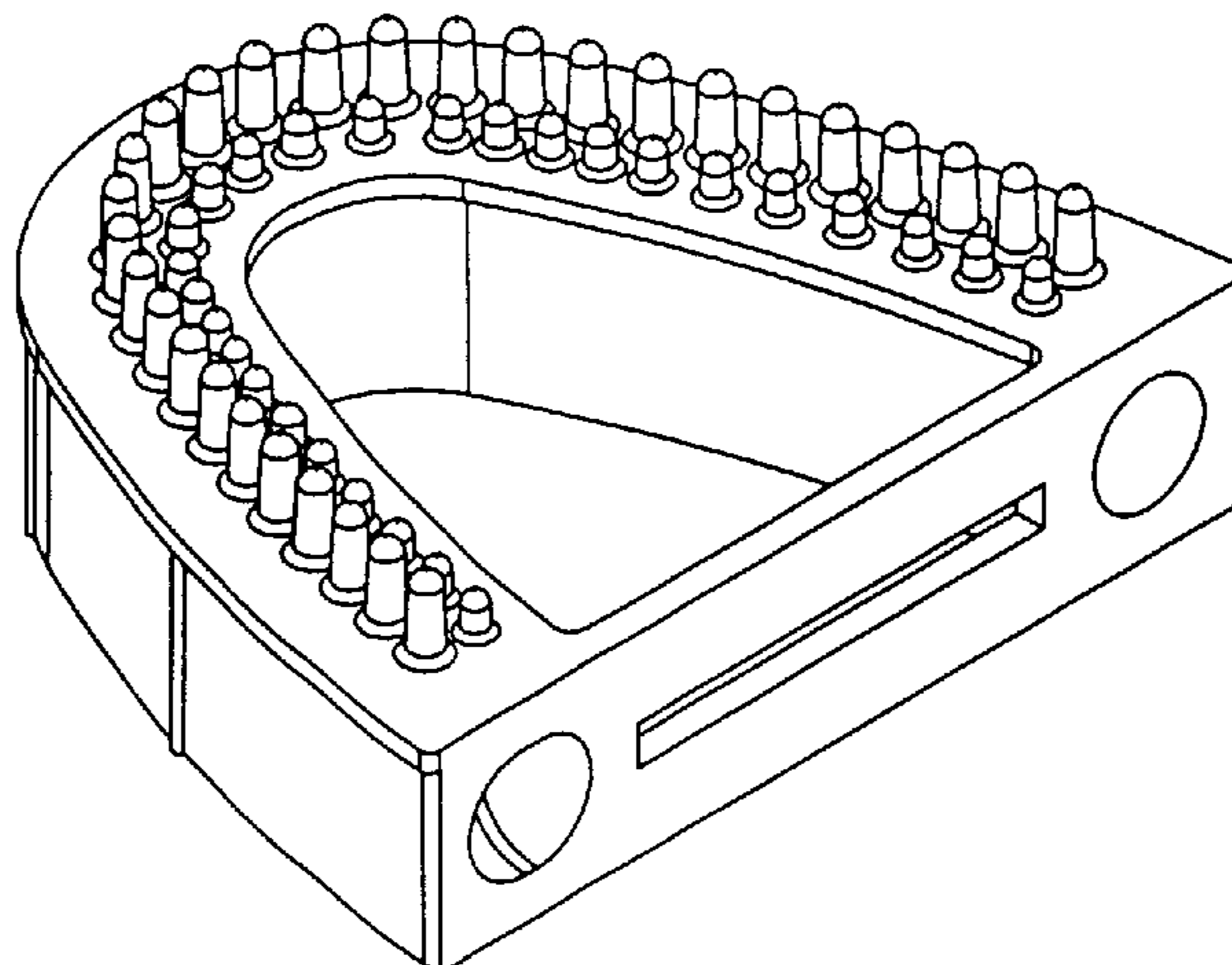
FIG. 3 is a bottom plan view thereof.

FIG. 4 is a front elevation view thereof.

FIG. 5 is a rear elevation view thereof; and,

FIG. 6 is a side view thereof.

1 Claim, 1 Drawing Sheet



US D464,732 S

Page 2

U.S. PATENT DOCUMENTS

4,203,219 A	5/1980	Wiener	4,842,242 A	6/1989	Huffman
4,240,605 A	12/1980	Waltke	D302,456 S	7/1989	Huffman
4,242,812 A	1/1981	Randoll et al.	D302,587 S	8/1989	Huffman
4,265,619 A	5/1981	Lucki et al.	D302,724 S	8/1989	Huffman
4,283,173 A	8/1981	Browne et al.	D302,725 S	8/1989	Huffman
4,301,357 A	11/1981	Huffman	RE33,099 E	10/1989	Shoher et al.
4,359,464 A	11/1982	Weinstock	D305,361 S	1/1990	Huffman
4,371,339 A	2/1983	Zeiser	D305,362 S	1/1990	Huffman
4,378,929 A	4/1983	Huffman	D306,206 S	2/1990	Huffman
4,382,787 A	5/1983	Huffman	4,898,359 A	2/1990	Gopon
4,398,884 A	8/1983	Huffman	RE33,271 E	7/1990	Shoher et al.
4,439,151 A	3/1984	Whelan	4,940,409 A	7/1990	Nordin
4,443,192 A	4/1984	Blitz	4,980,124 A	12/1990	Dimmer
4,449,930 A	5/1984	Huffman	5,028,235 A	7/1991	Smith
4,449,931 A	5/1984	Saito	5,049,075 A	9/1991	Barrut
4,459,110 A	7/1984	Jackson	5,076,789 A	12/1991	Tanaka
4,473,353 A	9/1984	Greggs	5,098,290 A	3/1992	Honstein et al.
4,481,162 A	11/1984	Huffman	5,197,874 A	3/1993	Silva et al.
4,494,934 A	1/1985	Huffman	5,207,574 A	5/1993	Garland
4,521,188 A	6/1985	Metzler	5,352,117 A	10/1994	Silva
4,533,323 A	8/1985	Huffman	5,393,227 A	2/1995	Nooning
4,538,987 A	9/1985	Weissman	5,466,152 A	11/1995	Walter
4,548,581 A	10/1985	Huffman	5,470,231 A	11/1995	Stern
D283,541 S	4/1986	Huffman	5,501,600 A	3/1996	Johnson
D283,542 S	4/1986	Huffman	5,766,007 A	6/1998	Huffman
D283,639 S	4/1986	Huffman	5,769,634 A	6/1998	Choi
D283,730 S	5/1986	Huffman	5,775,899 A	7/1998	Huffman
4,608,016 A	8/1986	Zeiser	5,788,489 A	8/1998	Huffman
D286,179 S	10/1986	Huffman	5,788,490 A	8/1998	Huffman
D286,436 S	10/1986	Huffman	5,800,166 A	9/1998	Huffman
4,645,454 A	2/1987	Amdur et al.	5,807,099 A	9/1998	Johnson
D289,924 S	5/1987	Huffman	5,868,569 A	2/1999	Huffman
4,671,770 A	6/1987	Bell et al.	5,934,901 A	8/1999	Huffman
4,708,648 A	11/1987	Weissman	D429,815 S	8/2000	Huffman
4,708,835 A	11/1987	Kiefer	6,106,284 A *	8/2000	Cronin et al. 433/34
4,721,464 A	1/1988	Roden et al.	D430,672 S	9/2000	Huffman
4,734,033 A	3/1988	Huffman	D433,136 S	10/2000	Huffman
4,767,330 A	8/1988	Burger	D433,754 S	11/2000	Huffman
4,767,331 A	8/1988	Hoe	D443,363 S	6/2001	Huffman
4,834,651 A	5/1989	Fenick	D444,559 S	7/2001	Huffman

* cited by examiner

FIG. 1

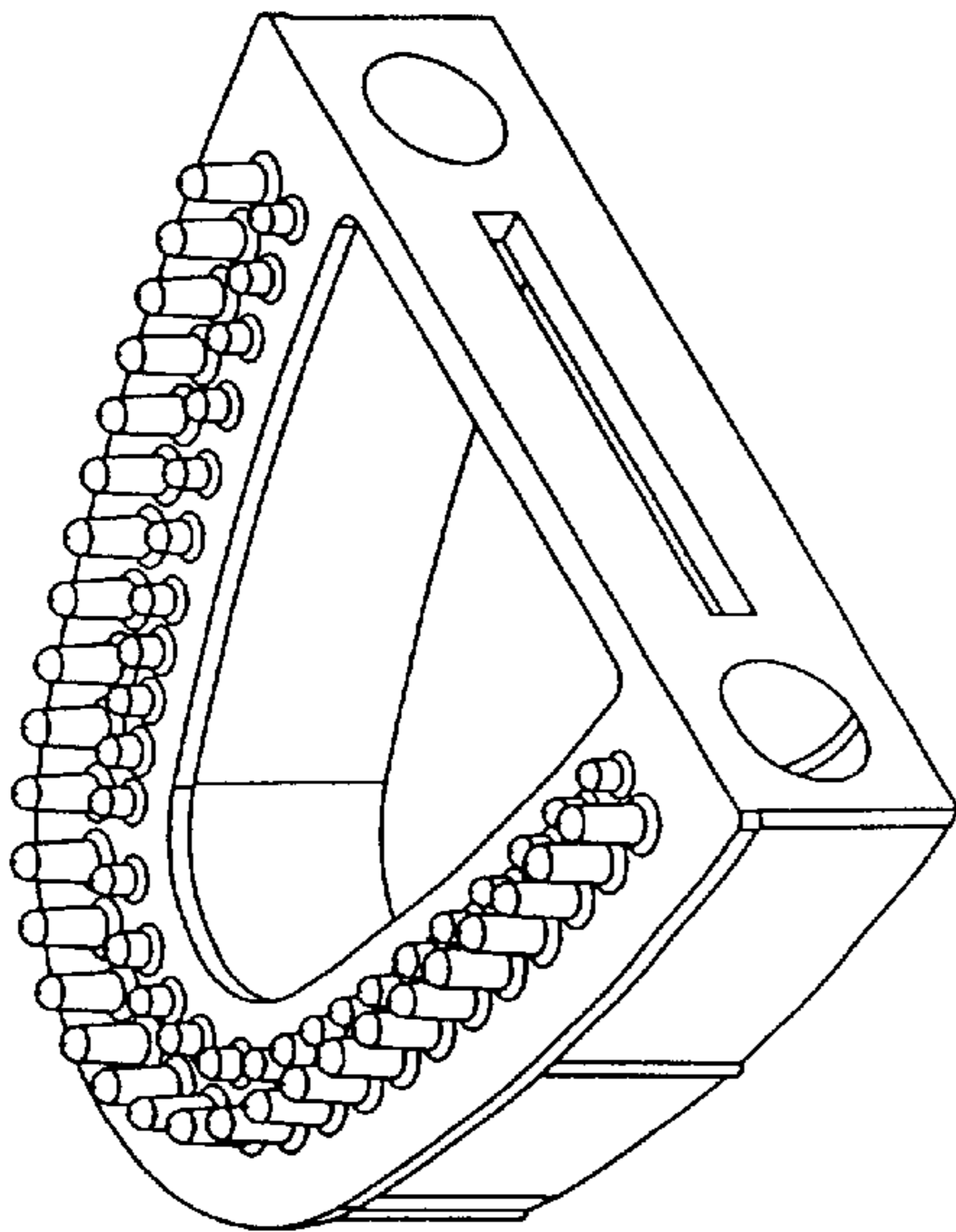


FIG. 2

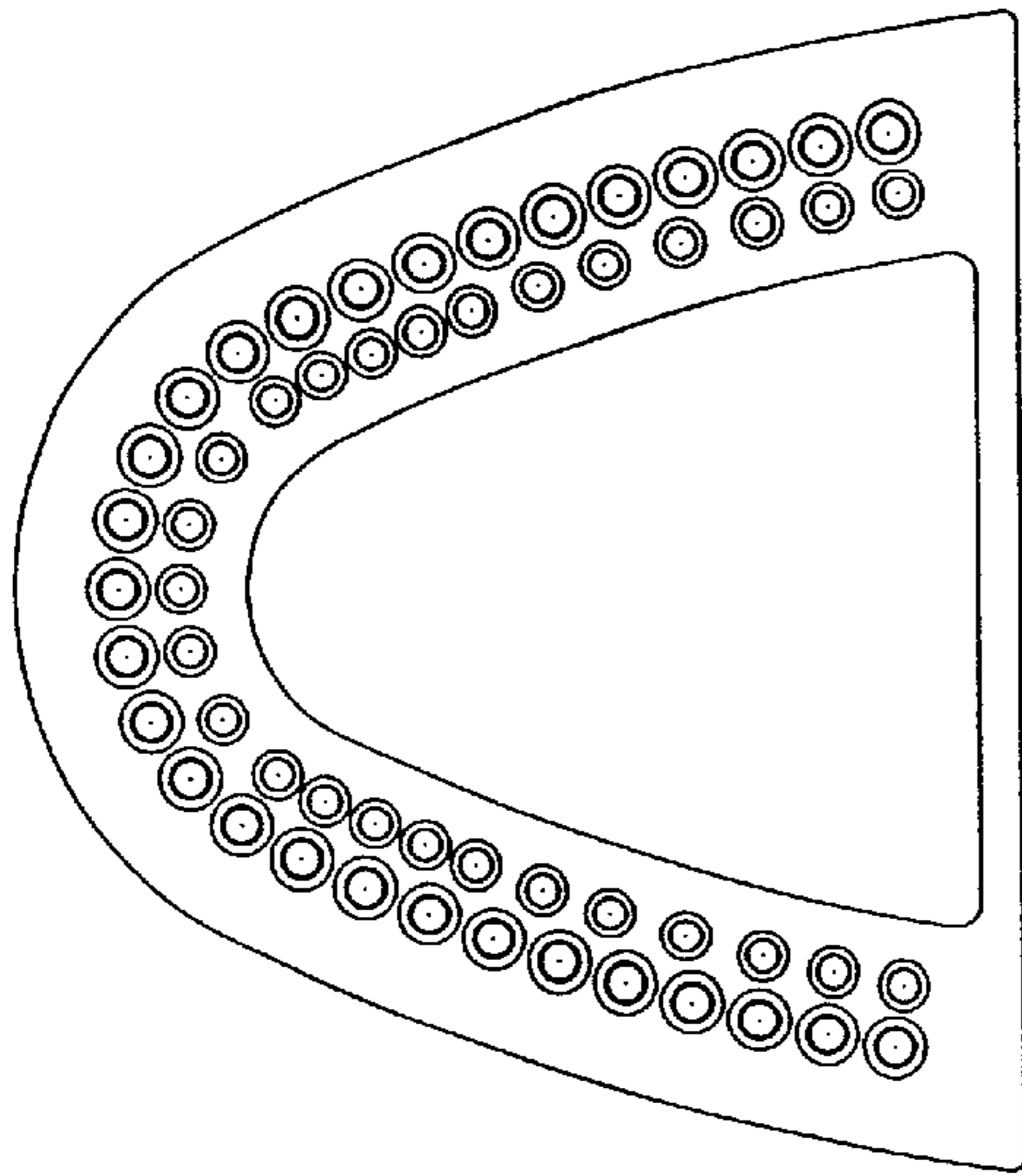


FIG. 3

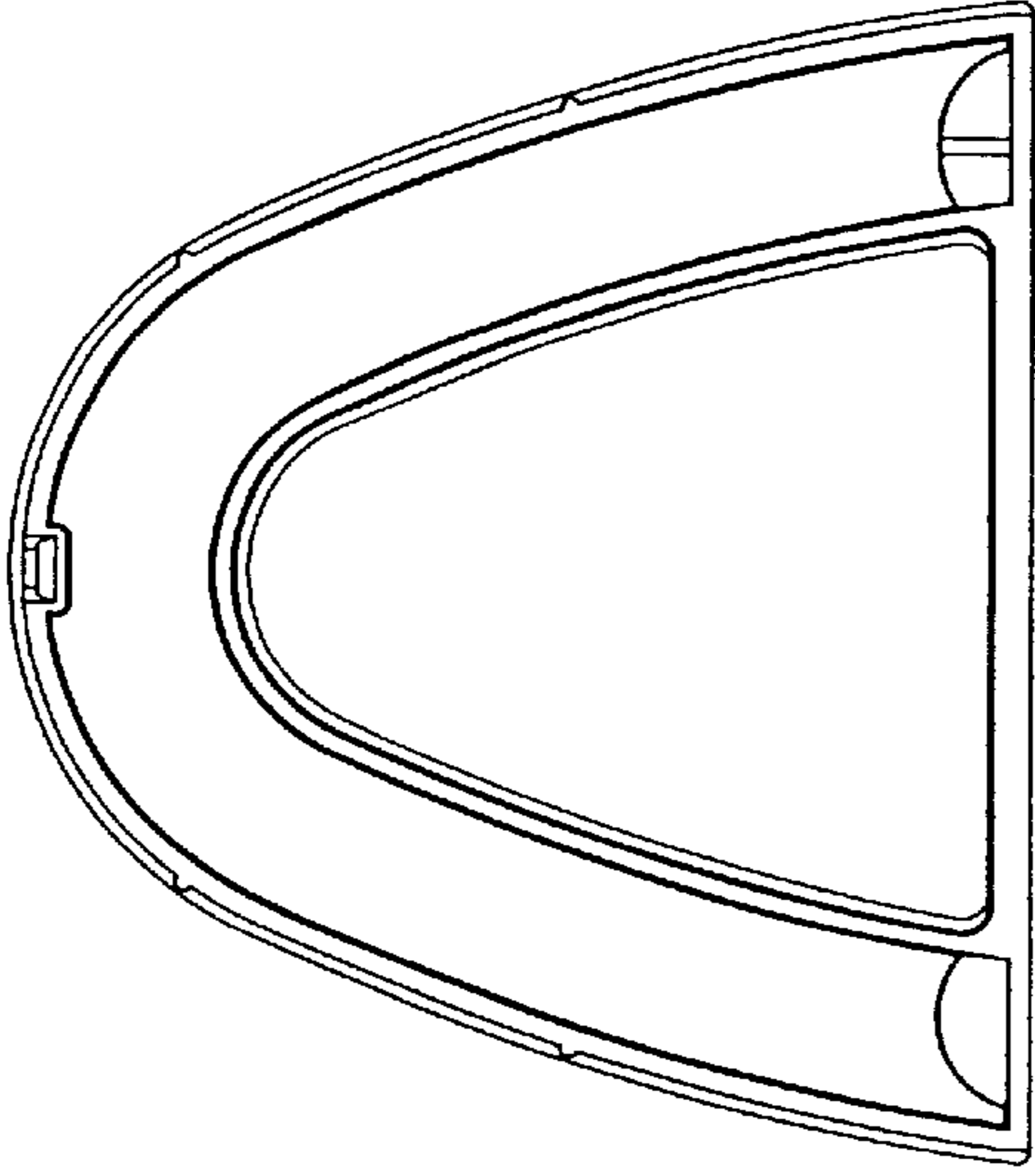


FIG. 4

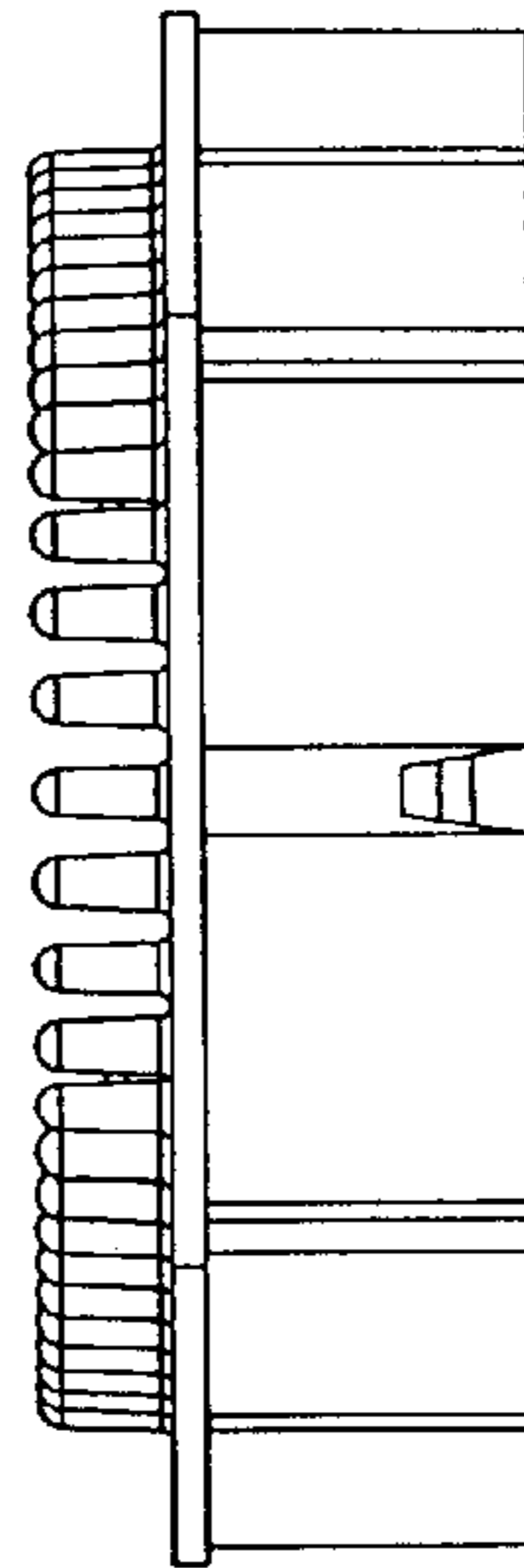


FIG. 5

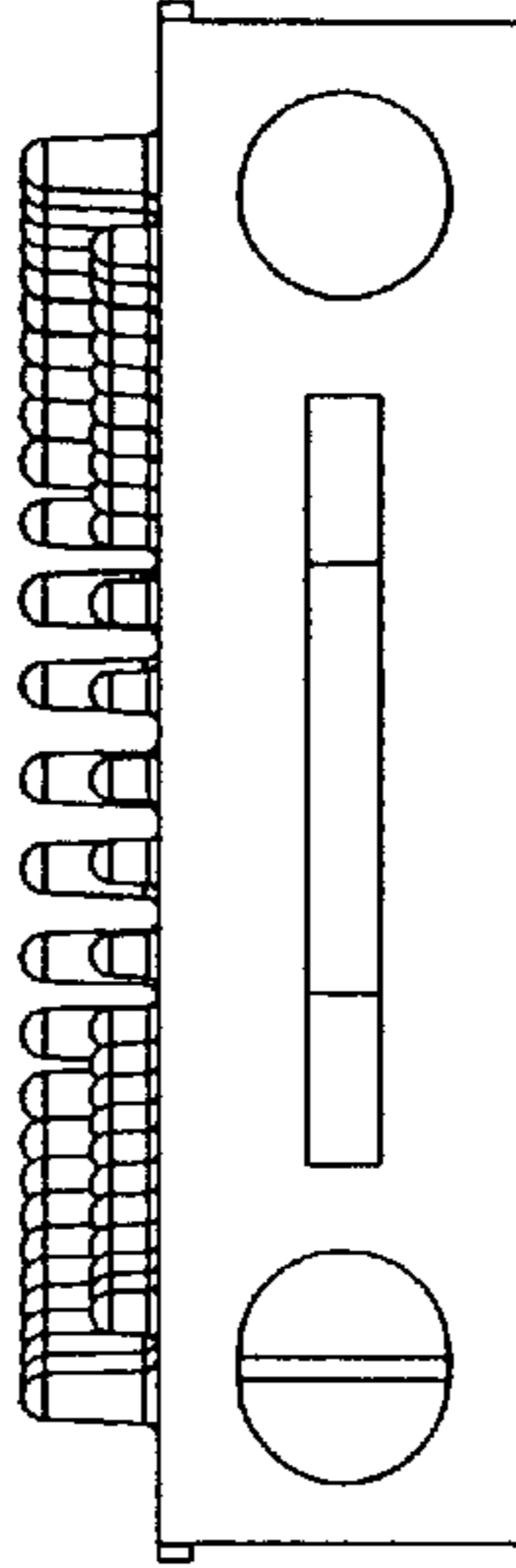
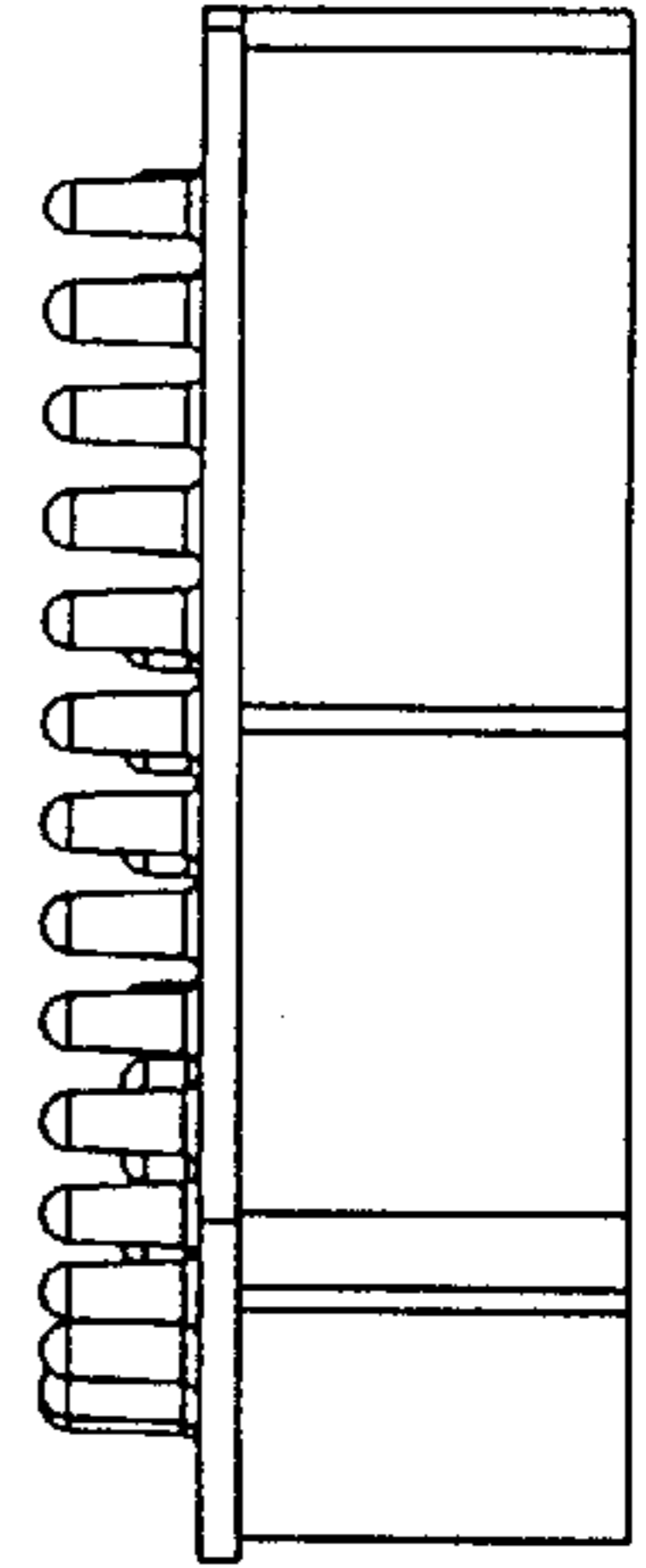


FIG. 6



UNITED STATES PATENT AND TRADEMARK OFFICE
CERTIFICATE OF CORRECTION

PATENT NO. : Des. 464,732 S
DATED : October 22, 2002
INVENTOR(S) : Huffman

Page 1 of 1

It is certified that error appears in the above-identified patent and that said Letters Patent is hereby corrected as shown below:

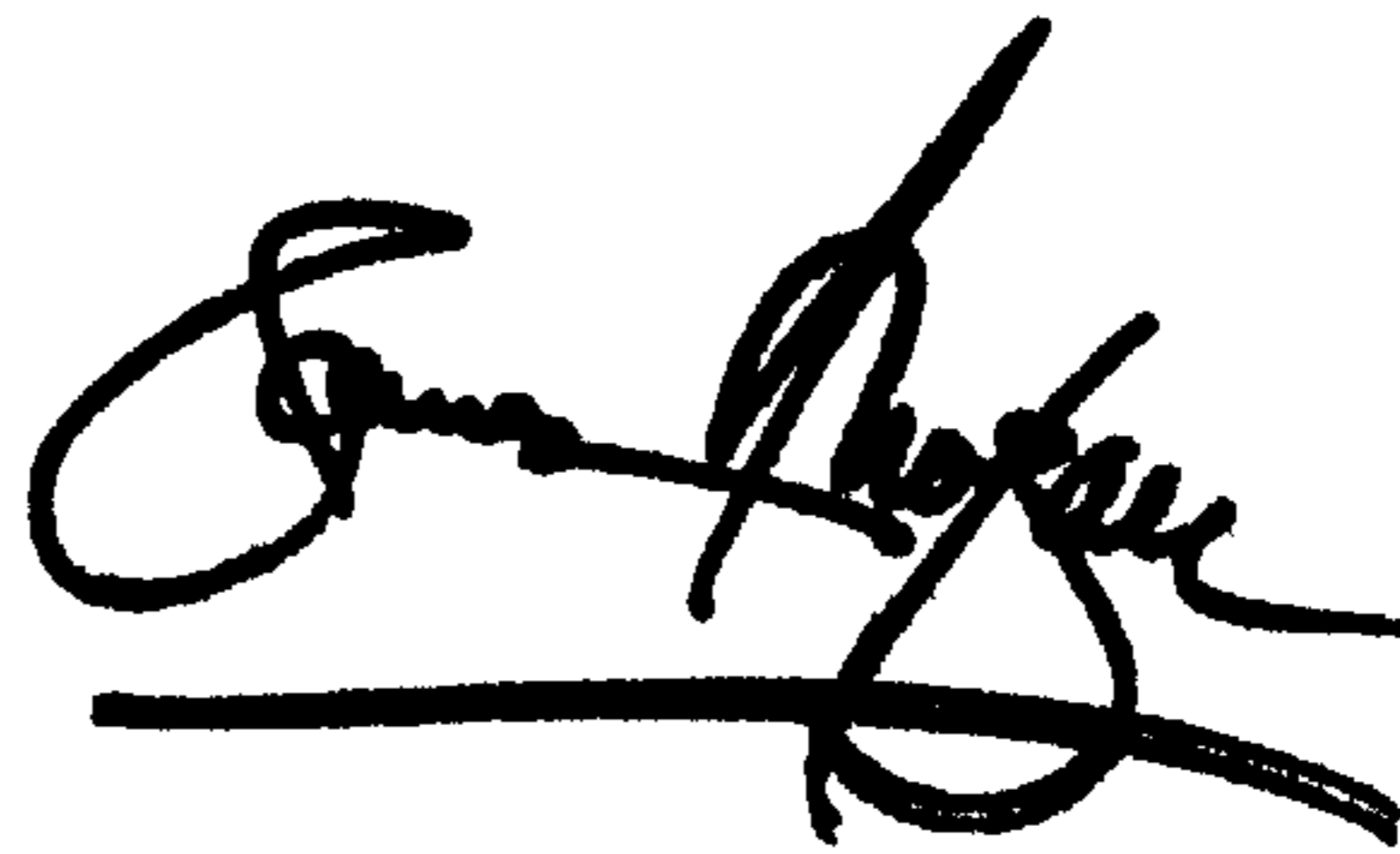
Title page,

Item [75], Inventor, address should read -- Oro Valley, AZ (US) -- rather than "P.O. Box 1328, Sapulpa, OK (US) 74066"

Item [73], Assignee, please delete all assignee data. The patent was not assigned.

Signed and Sealed this

Twenty-ninth Day of July, 2003

A handwritten signature in black ink, appearing to read "James E. Rogan", with a horizontal line drawn underneath it.

JAMES E. ROGAN
Director of the United States Patent and Trademark Office