



US00D464729S

(12) **United States Design Patent**
Rehrig

(10) **Patent No.:** **US D464,729 S**

(45) **Date of Patent:** **** Oct. 22, 2002**

(54) **PORTABLE URINAL**

(76) Inventor: **Houston Rehrig**, 1316 Abon La. #726,
N. Ft. Lauderdale, FL (US) 33068

(**) Term: **14 Years**

(21) Appl. No.: **29/129,981**

(22) Filed: **Sep. 26, 2000**

(51) **LOC (7) Cl.** **24-04**

(52) **U.S. Cl.** **D24/122**

(58) **Field of Search** D24/122, 118,
D24/121; D23/302; 4/114.1, 463, 144.1,
144.2, 144.3, 144.4; 604/329, 330, 331,
347, 349, 350, 408

| | | | |
|-------------|----------|-------------------|---------|
| 4,221,295 A | 9/1980 | Tuchband et al. | |
| 4,246,901 A | 1/1981 | Michaud | |
| 4,270,539 A | 6/1981 | Michaud | |
| D265,760 S | 8/1982 | Lahay | |
| D265,927 S | 8/1982 | Lahay | |
| 4,365,363 A | 12/1982 | Windauer | |
| 4,387,726 A | 6/1983 | Denard | |
| 4,393,881 A | 7/1983 | Shah | |
| D274,469 S | * 6/1984 | Huang et al. | D24/122 |
| 4,531,245 A | 7/1985 | Lowd et al. | |
| D285,348 S | 8/1986 | Matthews | |
| D288,608 S | 3/1987 | Dahlberg | |
| 4,696,067 A | 9/1987 | Woodward | |
| 5,007,116 A | 4/1991 | Yamamoto | |
| 5,009,236 A | 4/1991 | Brothers | |
| 5,010,599 A | 4/1991 | Nilsson | |
| RE33,686 E | 9/1991 | Parrish | |
| 5,049,144 A | 9/1991 | Payton | |
| 5,053,027 A | 10/1991 | Manfredi | |

(56) **References Cited**

(List continued on next page.)

U.S. PATENT DOCUMENTS

OTHER PUBLICATIONS

| | | | |
|-------------|-----------|-------------------------|---------|
| 231,487 A | 8/1880 | Henry et al. | |
| 661,403 A | * 11/1900 | Hogan | 4/144.3 |
| 1,337,829 A | 4/1920 | Doyle | |
| 1,440,765 A | 1/1923 | Buckley | |
| 1,657,975 A | 1/1928 | Shiells | |
| 1,928,170 A | * 9/1933 | Dwork | D24/122 |
| 2,182,254 A | 12/1939 | Farrell | |
| D138,651 S | * 8/1944 | Korotev et al. | D24/122 |
| 2,382,276 A | 8/1945 | Wells | |
| 2,742,218 A | 4/1956 | Sullivan | |
| 2,875,451 A | 3/1959 | Stegeman | |
| 3,070,810 A | 1/1963 | Jones | |
| 3,095,578 A | 7/1963 | Stanford | |
| 3,432,865 A | 3/1969 | Schwartz | |
| 3,479,671 A | 11/1969 | Beich | |
| 3,485,233 A | 12/1969 | Cord | |
| 3,568,218 A | 3/1971 | Beckman | |
| 3,781,922 A | 1/1974 | Ericson | |
| 3,832,738 A | 9/1974 | Kliemann | |
| 4,020,843 A | 5/1977 | Kanall | |
| 4,090,541 A | * 5/1978 | Cammarata, III et al. . | D24/118 |
| 4,176,412 A | 12/1979 | Peterson | |
| 4,187,562 A | 2/1980 | Mioduski | |
| 4,189,789 A | 2/1980 | Hofstetter | |
| 4,194,508 A | 3/1980 | Anderson | |
| 4,202,057 A | 5/1980 | Ibarra | |

Ritter, Douglas S., Piddle Packs, The Aviation Consumer, Feb. 1, 1995.

Primary Examiner—Ian Simmons
(74) *Attorney, Agent, or Firm*—Brooks & Kushman P.C.

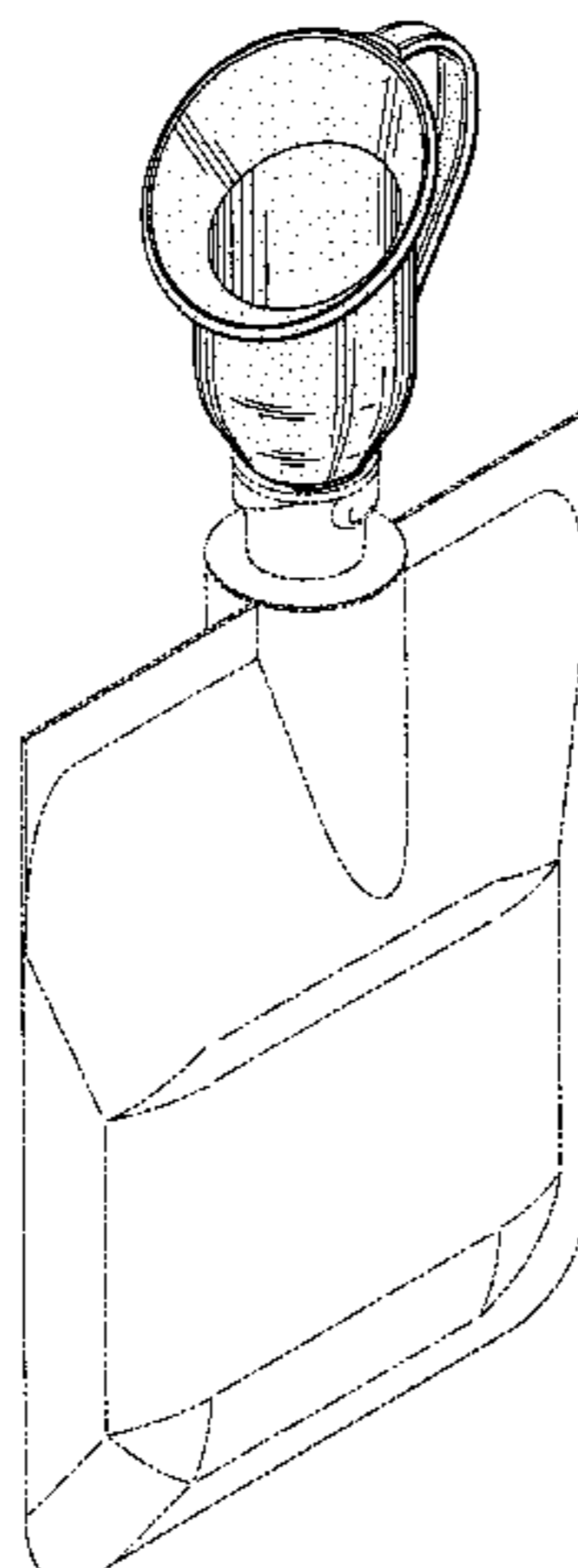
(57) **CLAIM**

The ornamental design for a portable urinal, as shown and described.

DESCRIPTION

FIG. 1 is a perspective view of the portable urinal;
FIG. 2 is a front elevational view of the portable urinal;
FIG. 3 is a rear elevational view of the portable urinal;
FIG. 4 is a left side elevational view of the portable urinal;
FIG. 5 is a right side elevational view of the portable urinal;
FIG. 6 is a top plan view of the portable urinal; and,
FIG. 7 is a bottom plan view of the portable urinal.
The broken line showing in FIGS. 1 through 7 are for illustrative purposes only and forms no part of the claimed design.

1 Claim, 5 Drawing Sheets



US D464,729 S

Page 2

U.S. PATENT DOCUMENTS

| | | | | | |
|-------------|-----------|------------------------------|-------------|----------|-------------------------|
| 5,065,459 A | 11/1991 | Tjahaja et al. | 5,687,429 A | 11/1997 | Rahiff |
| 5,146,637 A | 9/1992 | Bressler et al. | 5,711,445 A | 1/1998 | Robbins, III |
| 5,147,342 A | 9/1992 | Kane et al. | 5,735,835 A | 4/1998 | Holland |
| 5,197,957 A | 3/1993 | Wendler | 5,741,240 A | 4/1998 | Olsen |
| 5,235,705 A | 8/1993 | Belisle | 5,792,127 A | 8/1998 | Marran |
| D341,157 S | * 11/1993 | Kitahara et al. D24/118 | 5,797,855 A | 8/1998 | Hazard et al. |
| 5,267,988 A | 12/1993 | Farkas | 5,852,830 A | 12/1998 | Horn |
| 5,267,990 A | 12/1993 | Cross et al. | 5,894,607 A | 4/1999 | Van Den Burg |
| D348,315 S | 6/1994 | Hanifl et al. | 5,913,832 A | 6/1999 | Sagalovich et al. |
| 5,329,644 A | 7/1994 | Scott | 5,926,858 A | 7/1999 | Heller |
| 5,331,689 A | 7/1994 | Haq | 5,957,904 A | 9/1999 | Holland |
| 5,358,148 A | 10/1994 | Hanifl | D425,982 S | 5/2000 | Wilkinson et al. |
| 5,406,650 A | 4/1995 | Einbinder | D425,983 S | 5/2000 | Wilkinson et al. |
| 5,450,632 A | 9/1995 | Esswein et al. | 6,059,762 A | 5/2000 | Boyer et al. |
| 5,457,823 A | * 10/1995 | Mojena 4/144.2 | 6,065,726 A | 5/2000 | Pfaeffle |
| 5,505,717 A | 4/1996 | Moore | D426,302 S | * 6/2000 | Wilkinson D24/122 |
| 5,562,622 A | 10/1996 | Tihon | 6,070,275 A | 6/2000 | Garlock |
| D376,201 S | 12/1996 | Norton | 6,079,057 A | 6/2000 | Mette |
| D378,129 S | 2/1997 | Wexler et al. | 6,098,210 A | 8/2000 | Broden |
| 5,599,331 A | 2/1997 | Hemstreet et al. | 6,109,441 A | 8/2000 | Anderson |
| 5,647,670 A | 7/1997 | Iscovich | 6,119,280 A | 9/2000 | Rentsch |
| 5,655,229 A | 8/1997 | Horn | | | |

* cited by examiner

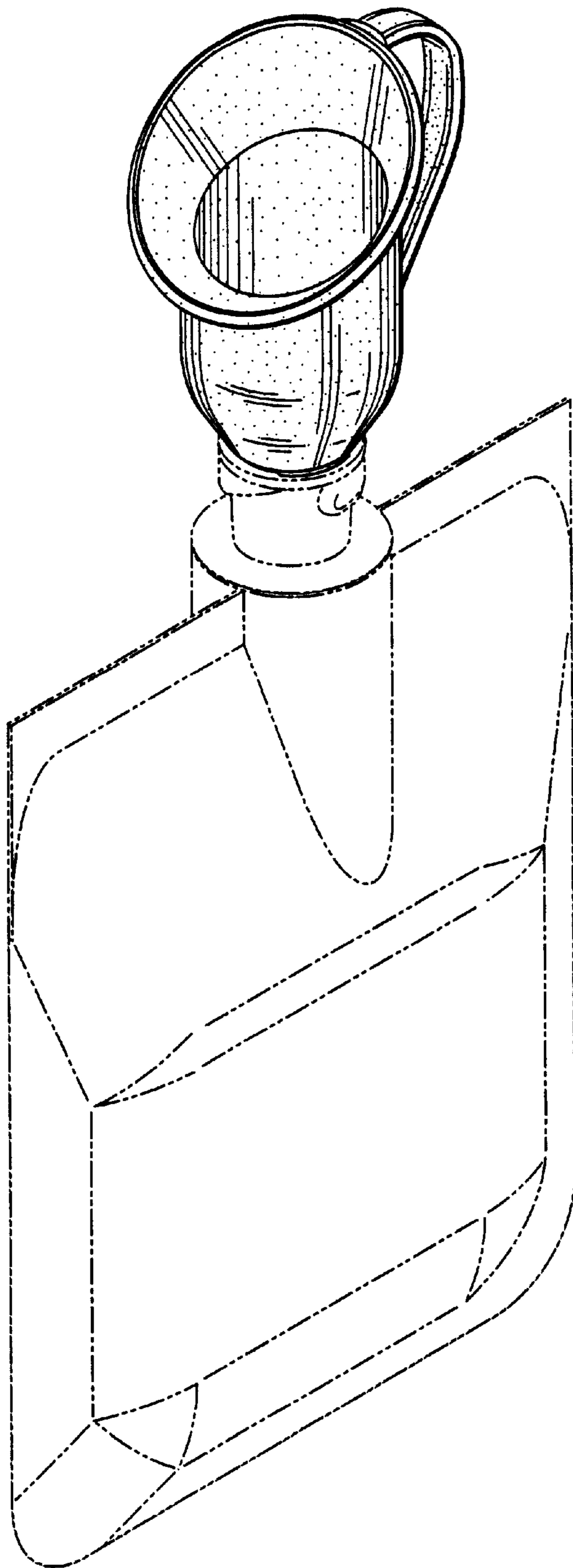


Fig. 1

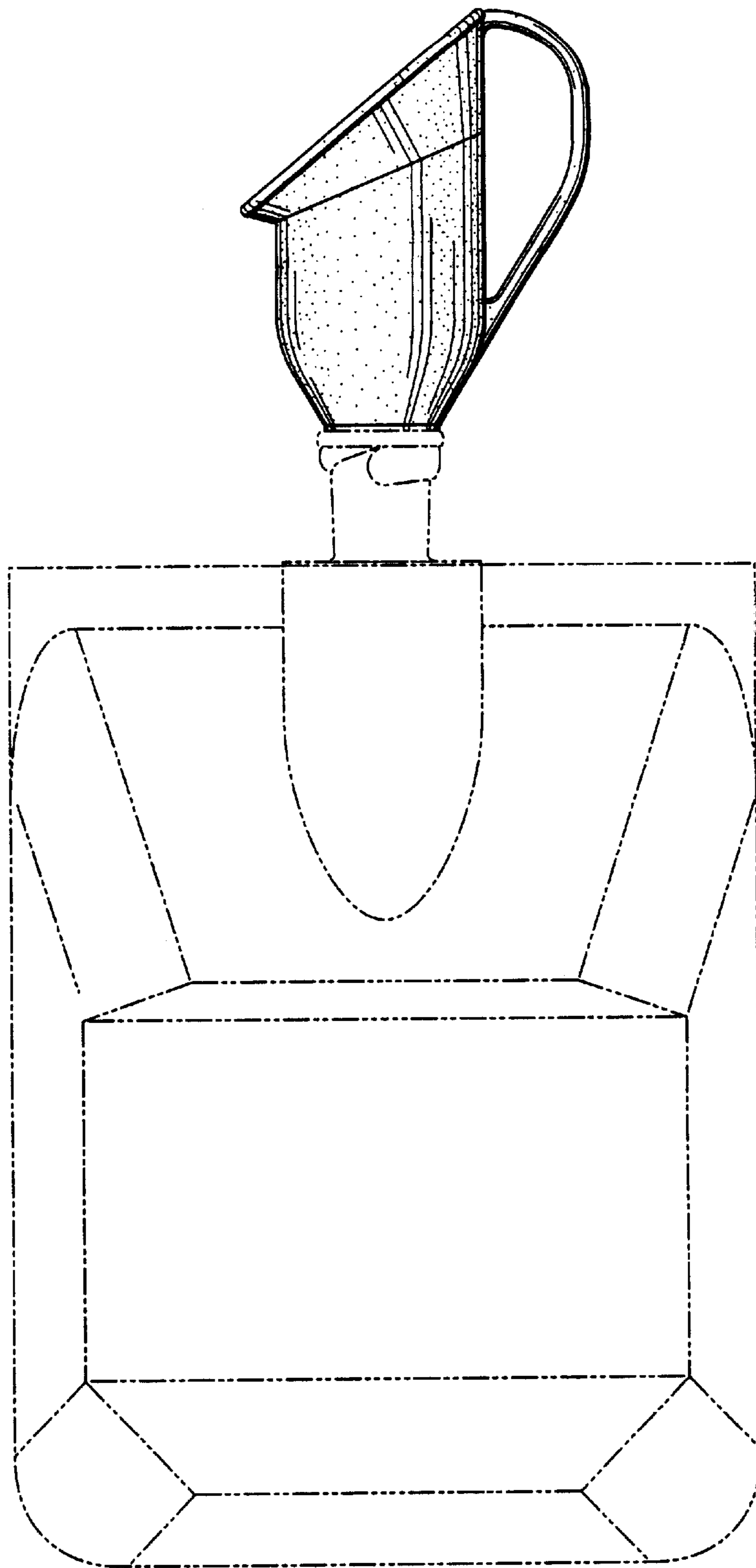


Fig. 2

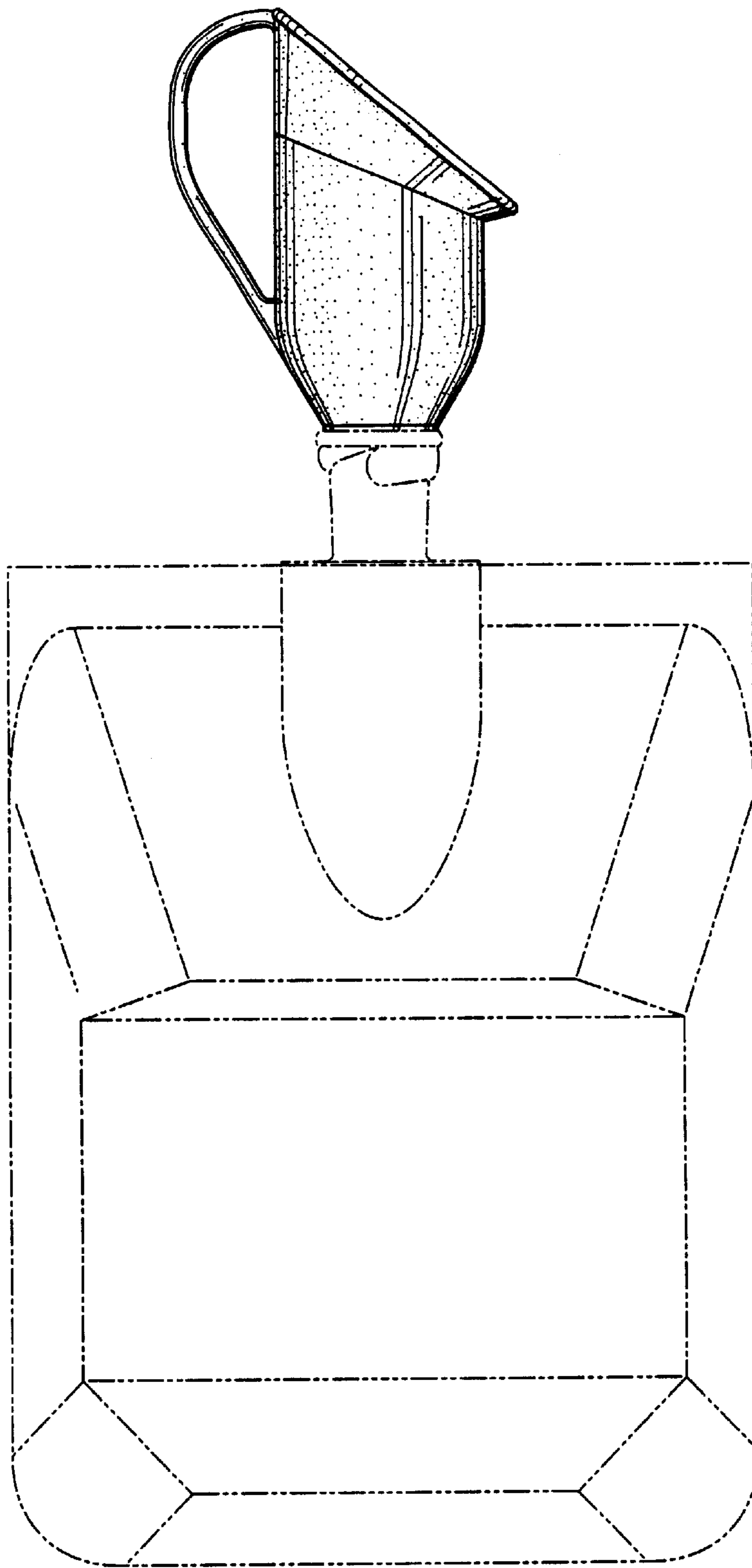


Fig. 3

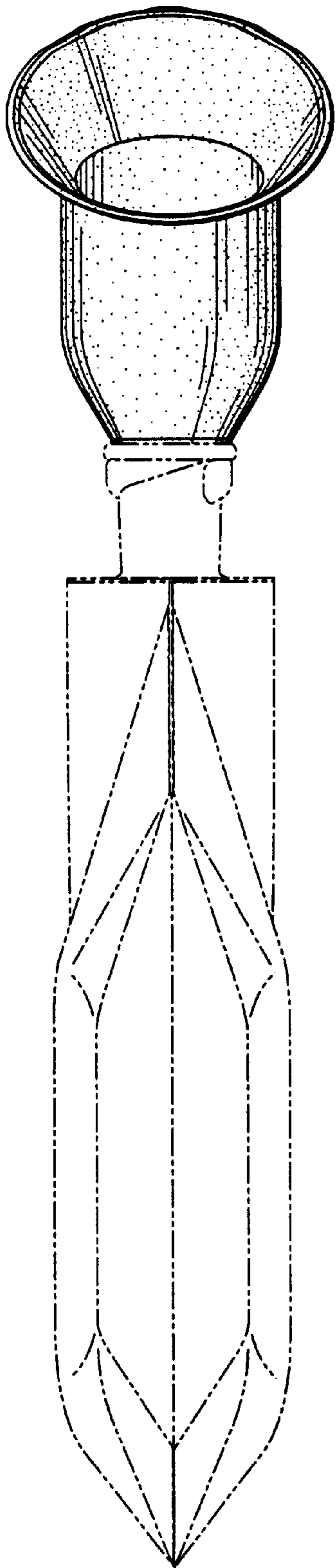


Fig. 4

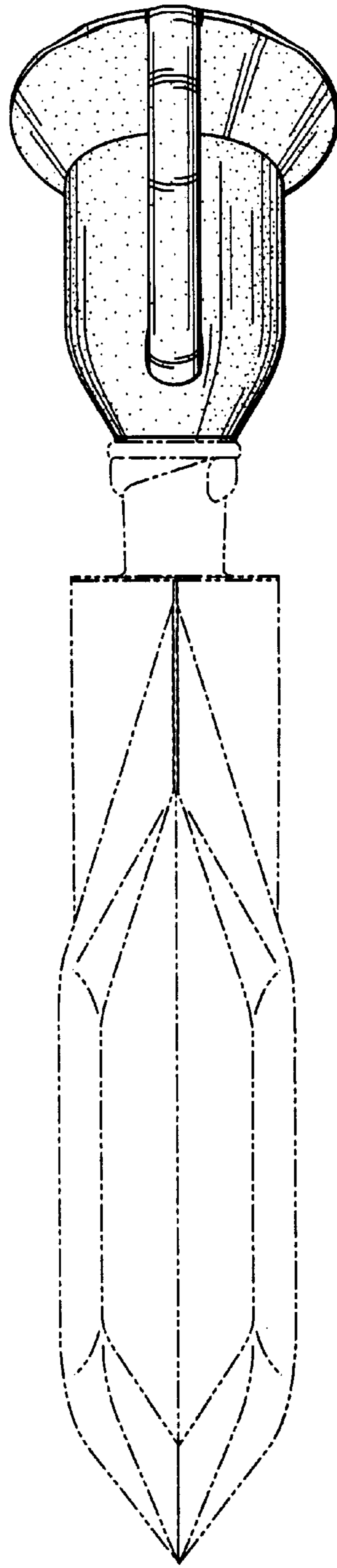


Fig. 5

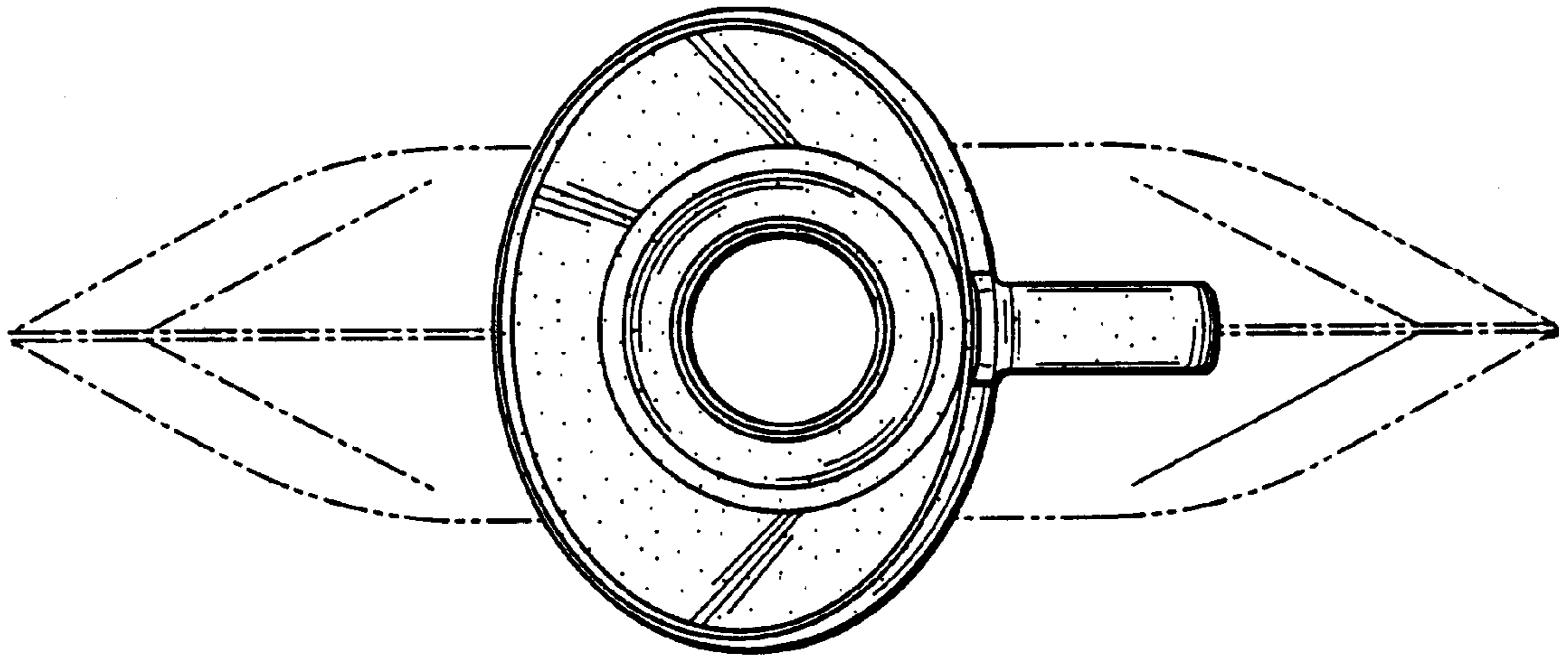


Fig. 6

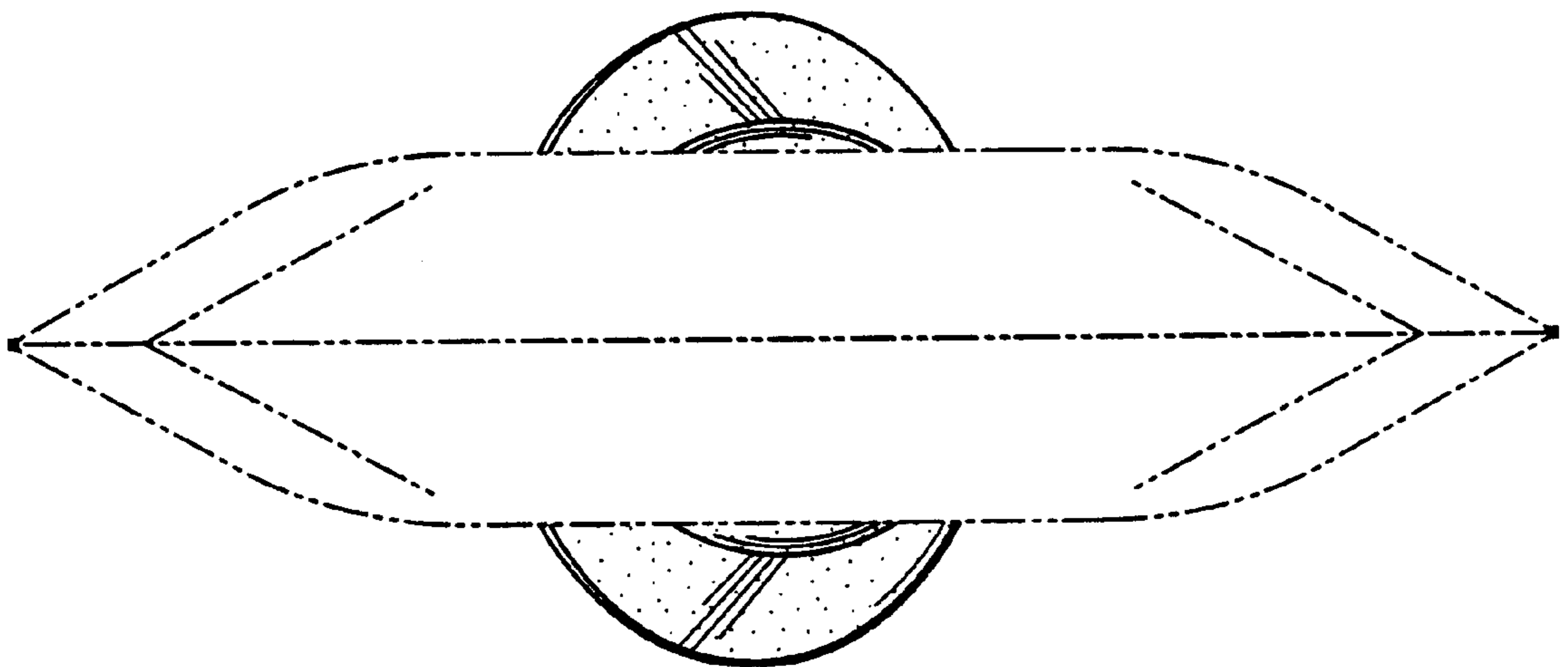


Fig. 7