



US00D464728S

(12) **United States Design Patent**
Paul et al.

(10) **Patent No.:** **US D464,728 S**

(45) **Date of Patent:** **** Oct. 22, 2002**

(54) **RESPIRATORY MASK**

(75) Inventors: **Zachary D. Paul**, Pittsburgh, PA (US);
Joseph M. Miceli, Jr., Pittsburgh, PA (US)

(73) Assignee: **Respironics, Inc.**, Murrysville, PA (US)

(**) Term: **14 Years**

(21) Appl. No.: **29/142,895**

(22) Filed: **Jun. 4, 2001**

(51) **LOC (7) Cl.** **29-02**

(52) **U.S. Cl.** **D24/110.4; D24/110.1**

(58) **Field of Search** D24/110.1, 110.4;
128/205.25, 206.24, 206.21, 206.19, 206.13

(56) **References Cited**

U.S. PATENT DOCUMENTS

D236,033	S	*	7/1975	Dryden	D24/110.4
D239,469	S	*	4/1976	Halldin et al.	D24/110.4
D333,015	S	*	2/1993	Farmer et al.	D24/110.4
5,662,101	A	*	9/1997	Ogden et al.	128/205.25
5,746,201	A	*	5/1998	Kidd	128/206.24
D430,663	S	*	9/2000	Smart	D24/110.4
D434,141	S	*	11/2000	Randeberg et al.	D24/110.4

* cited by examiner

Primary Examiner—Ian Simmons

(74) *Attorney, Agent, or Firm*—Michael W. Haas

(57) **CLAIM**

The ornamental design for a respiratory mask, as shown and described.

DESCRIPTION

FIG. 1 is a perspective view of a respiratory mask showing our new design.

FIG. 2 is an additional perspective view of the respiratory mask in accordance with our new design.

FIG. 3 is a front view of the respiratory mask shown in FIG. 3.

FIG. 4 is a side view of the respiratory mask shown in FIG. 1. The opposite side is similar and not separately illustrated herein.

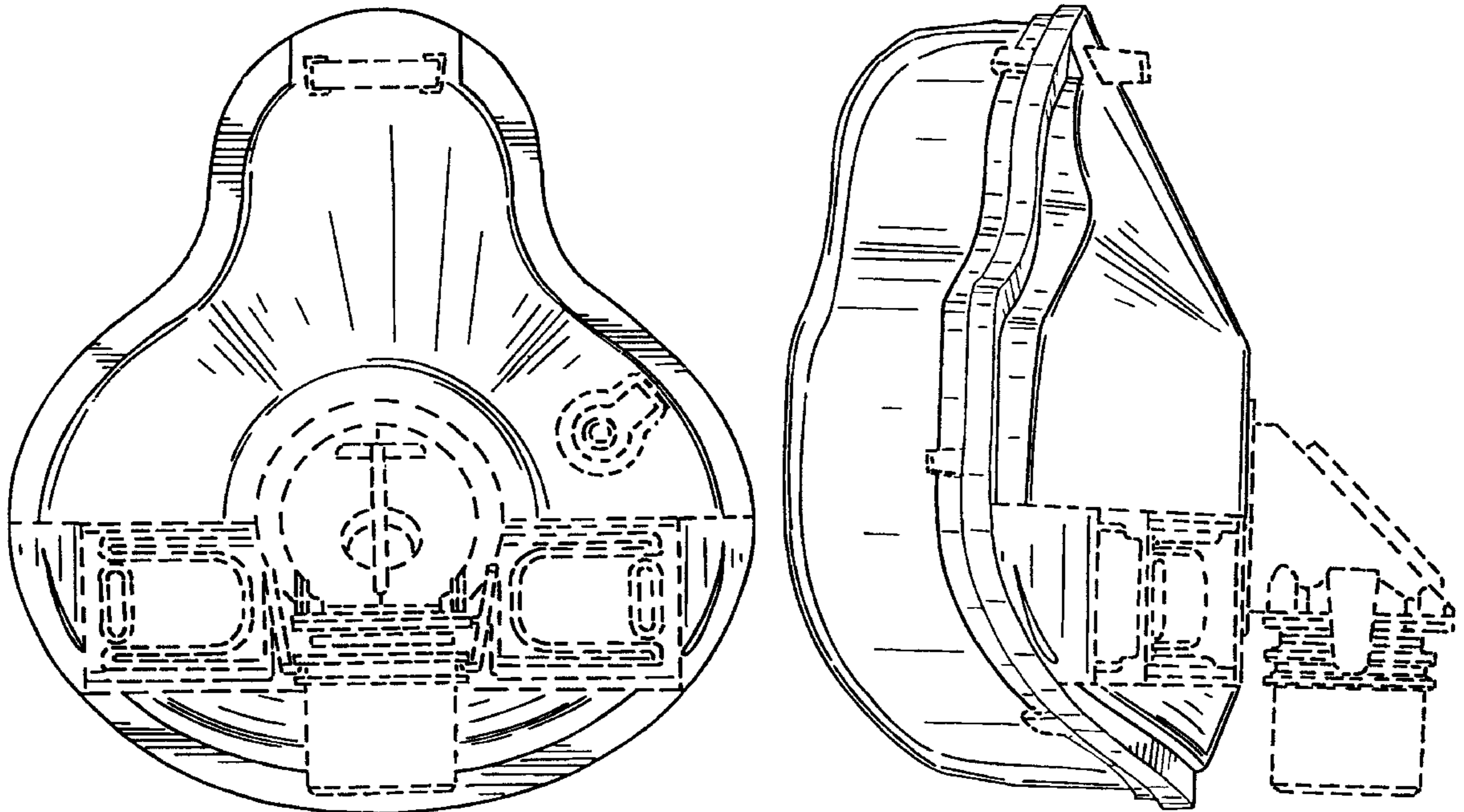
FIG. 5 is a top view of the respiratory mask shown in FIG. 1.

FIG. 6 is a back view of the respiratory mask shown in FIG. 1; and,

FIG. 7 is a bottom view of the respiratory mask shown in FIG. 1.

The broken line showing is for illustrative purposes only and forms no part of the claimed design.

1 Claim, 7 Drawing Sheets



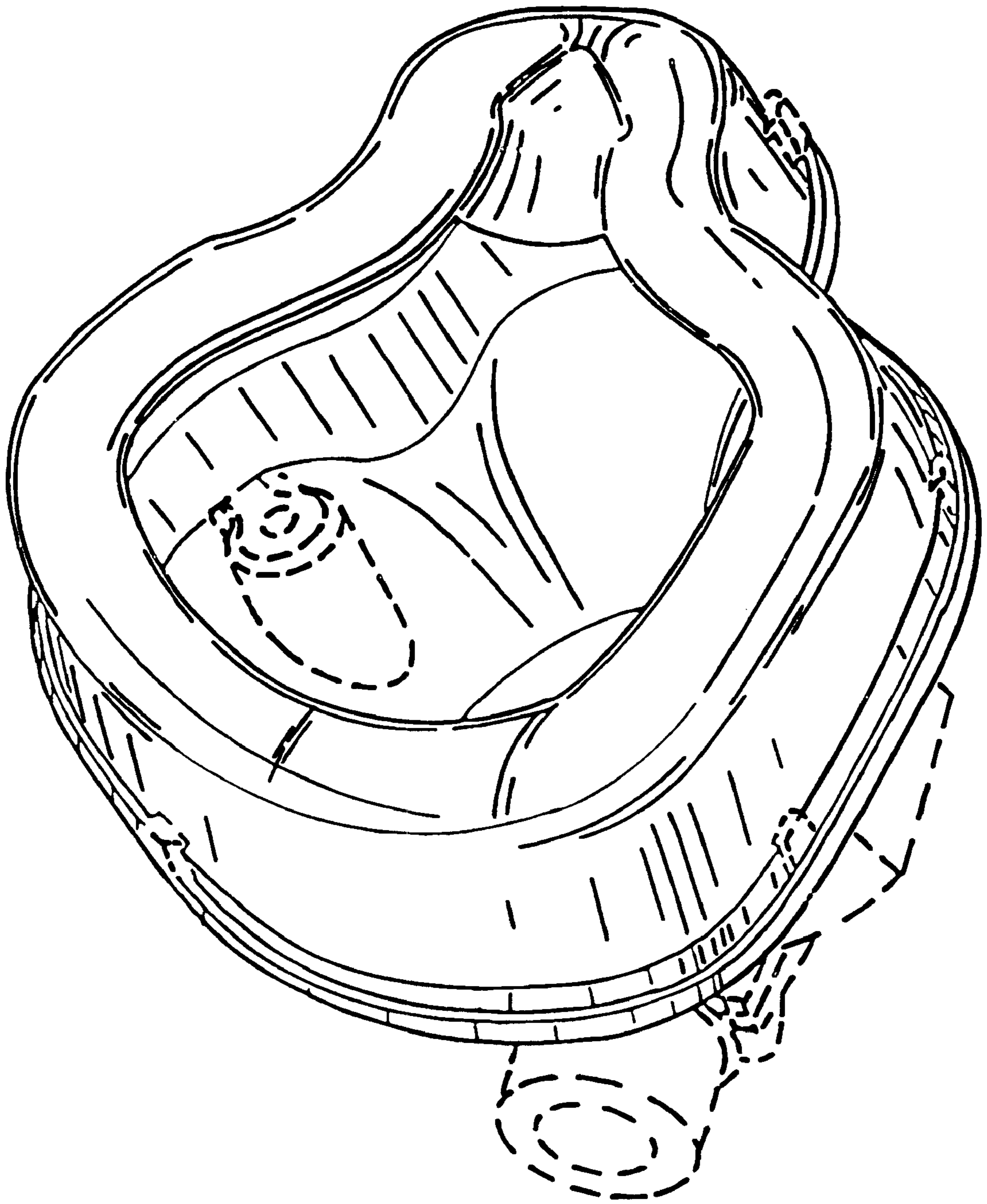


FIG. 1

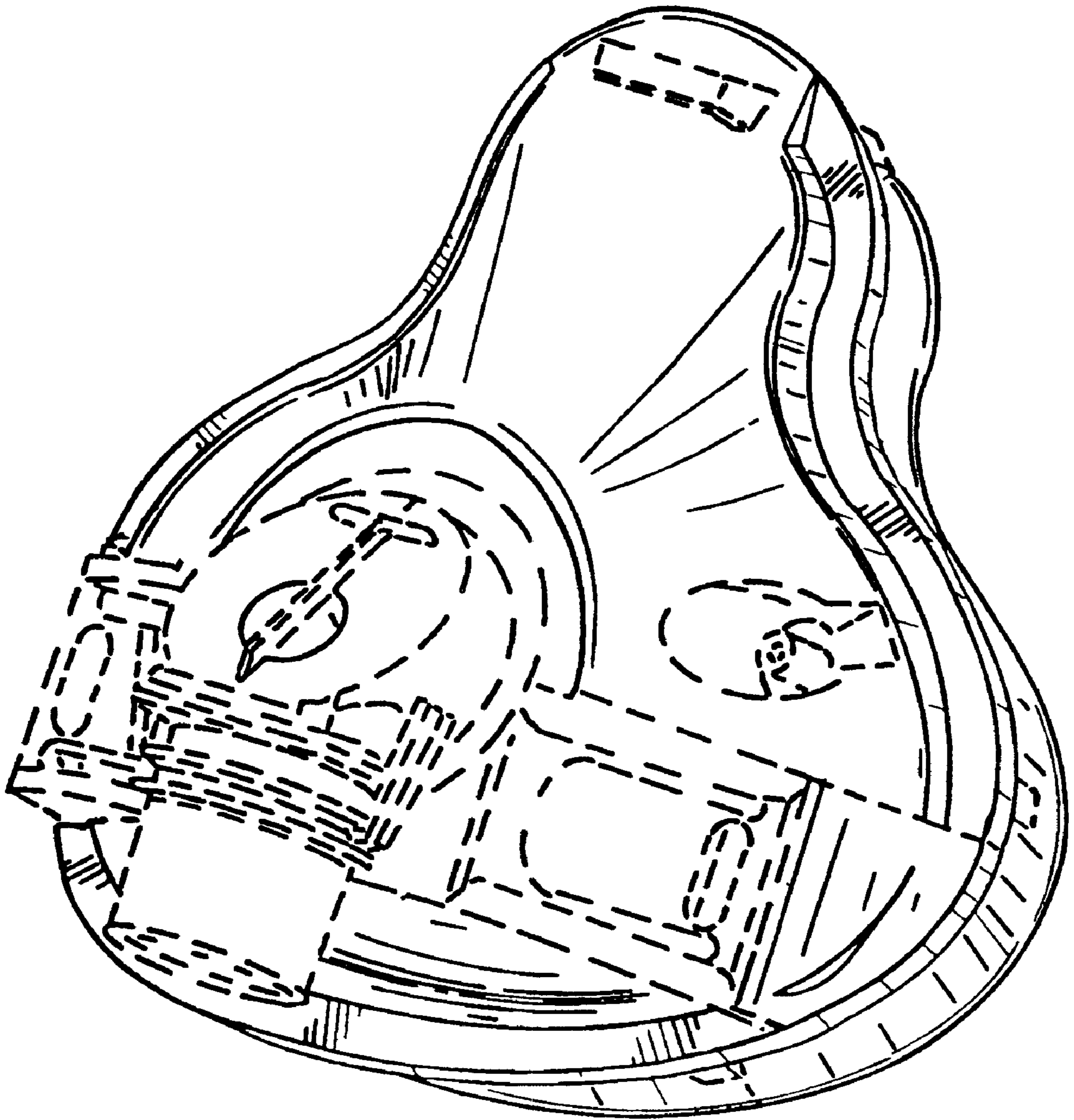


FIG. 2

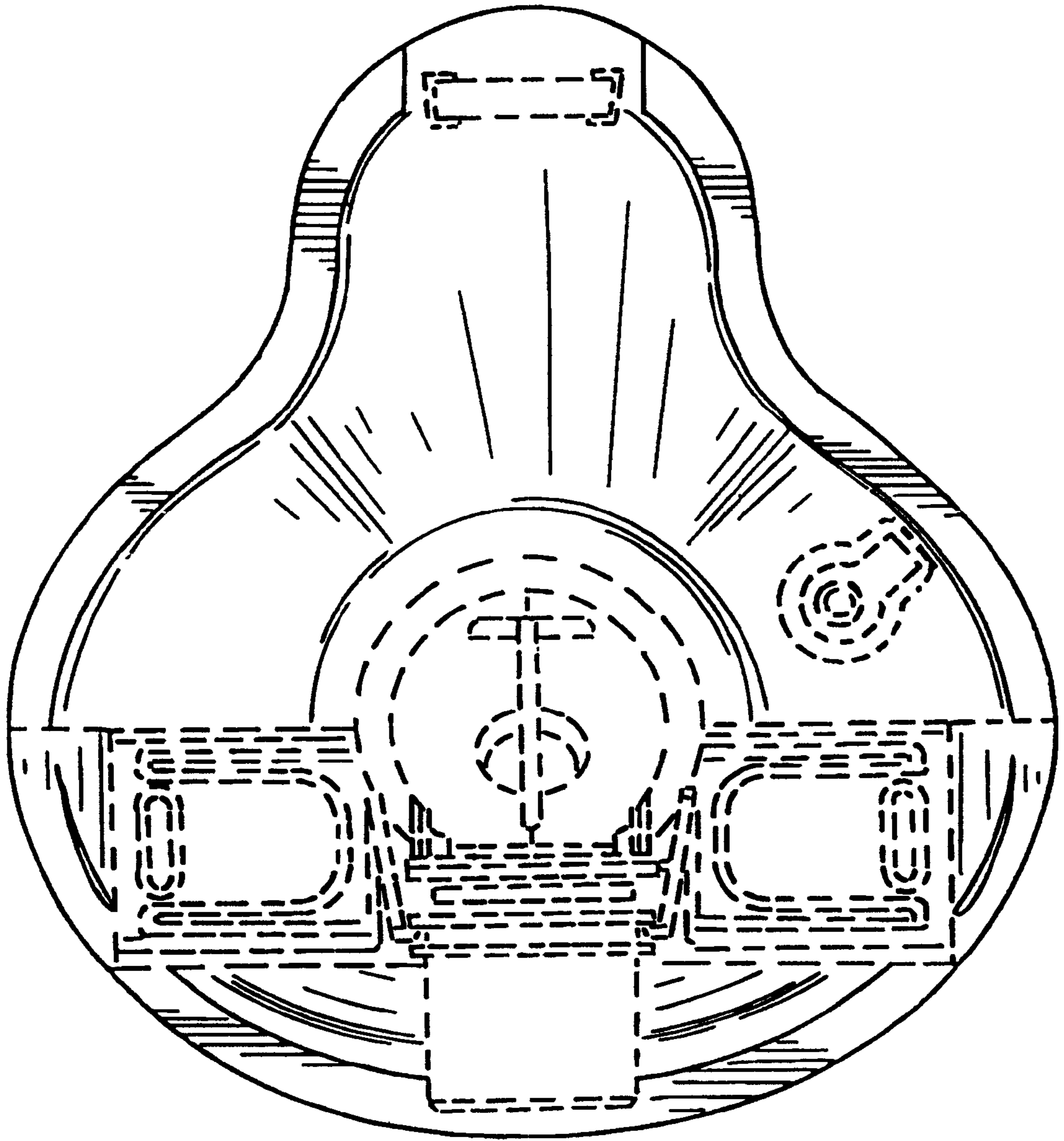


FIG. 3

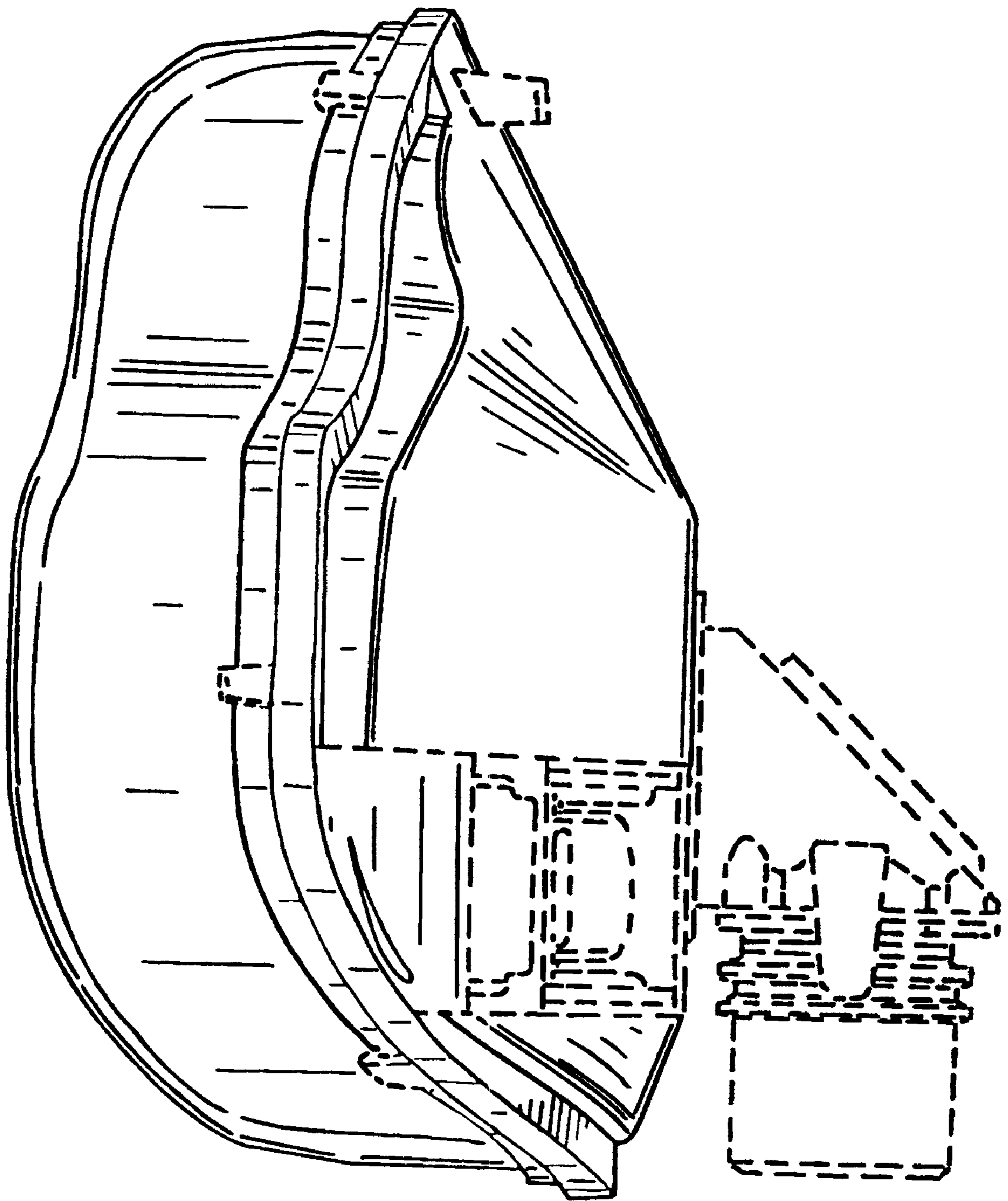


FIG. 4

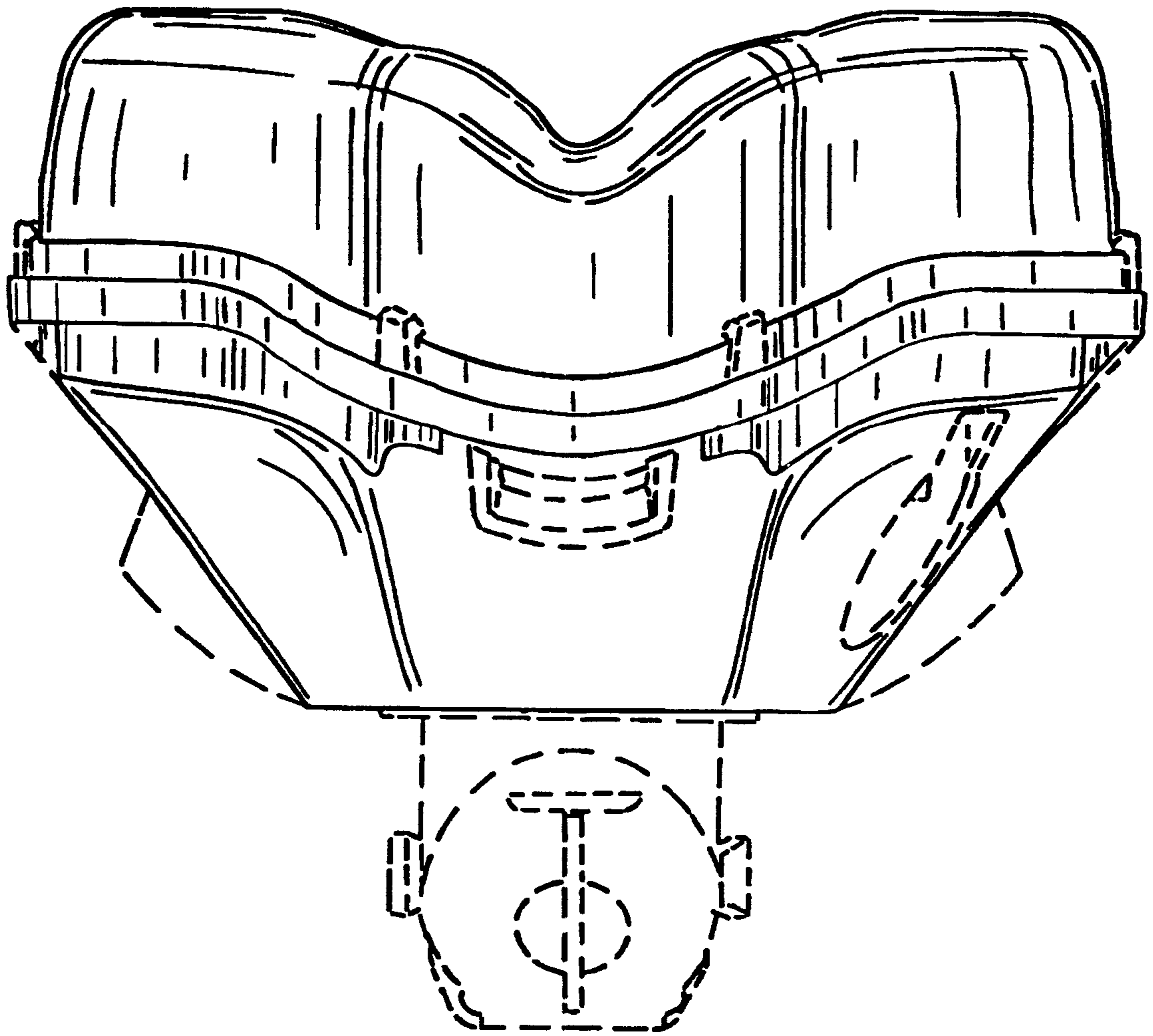


FIG. 5

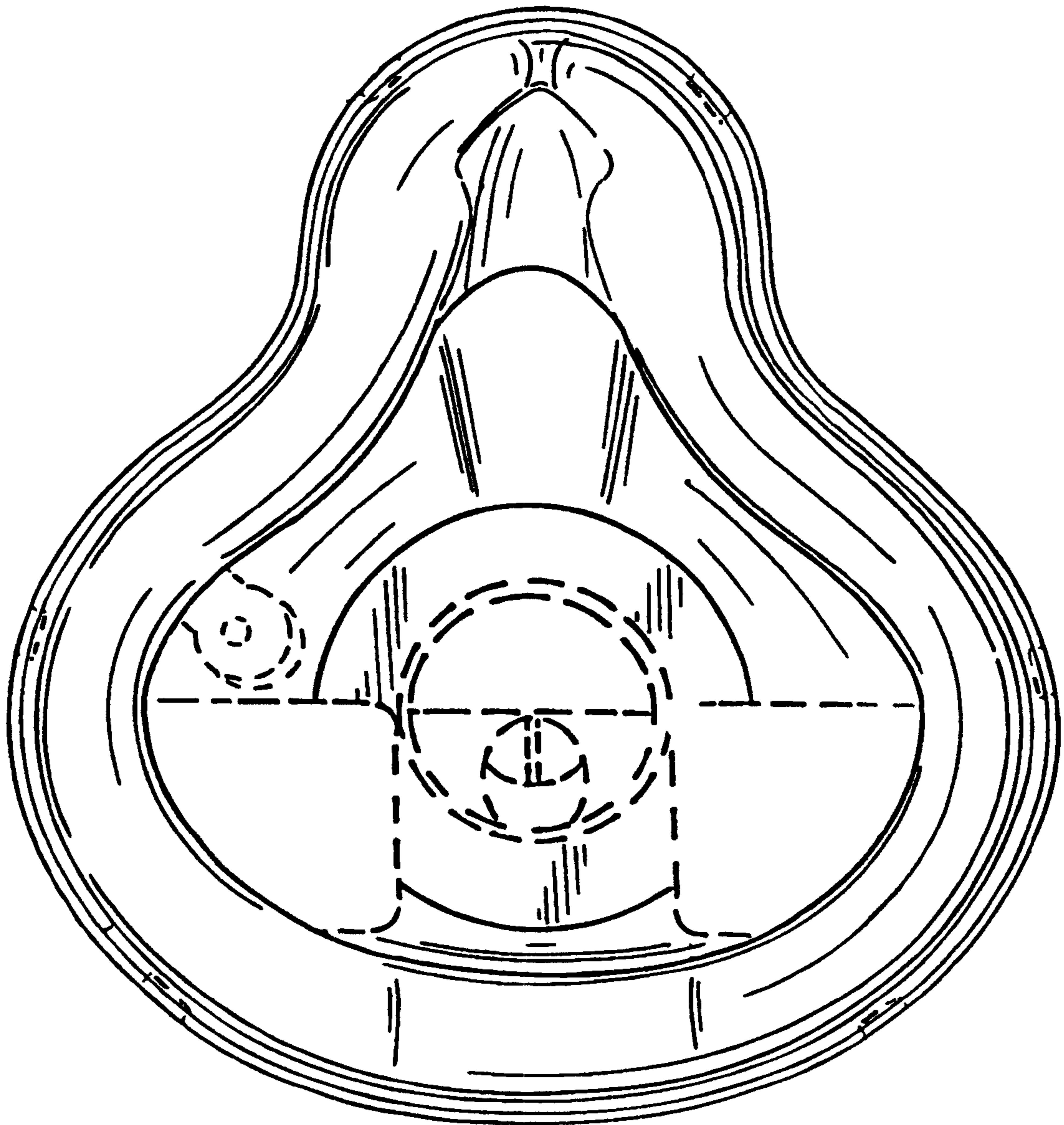


FIG. 6

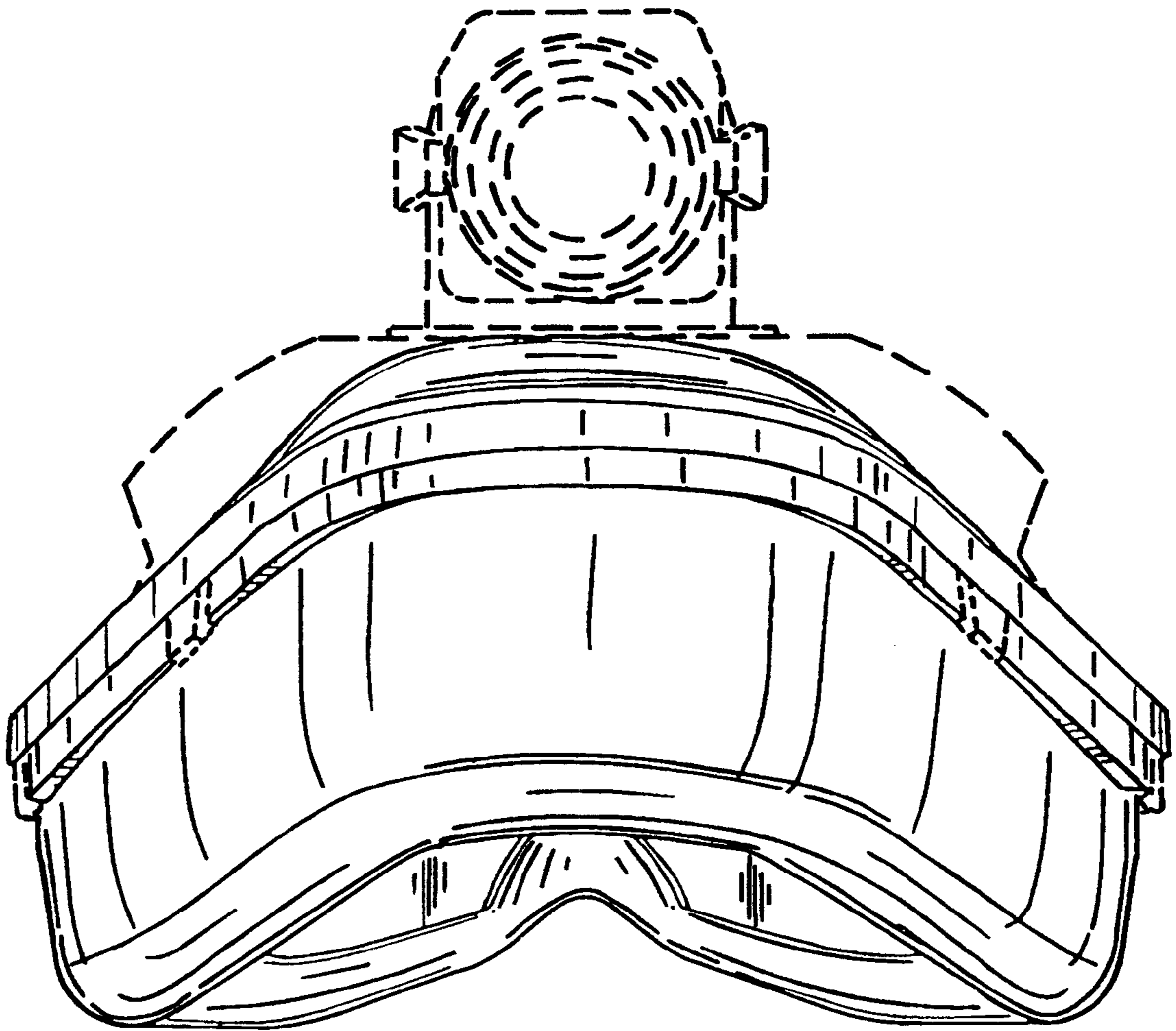


FIG. 7