



US00D464727S

(12) **United States Design Patent** (10) **Patent No.:** **US D464,727 S**
Austin et al. (45) **Date of Patent:** **** Oct. 22, 2002**

(54) **GEL FILLED FOREHEAD CUSHION FOR A CPAP MASK**
(75) Inventors: **Gary Austin**, Euclid, OH (US); **James T. Austin**, Concord Township, OH (US)
(73) Assignee: **TAGA Medical Technologies, Inc.**, Mentor, OH (US)
(**) Term: **14 Years**

5,647,357 A 7/1997 Barnett et al.
5,657,752 A 8/1997 Landis et al.
5,687,715 A 11/1997 Landis et al.
5,884,624 A 3/1999 Barnett et al.
D419,670 S * 1/2000 Pollard D24/110.4
D428,138 S * 7/2000 Pollard D24/110.1
6,112,746 A 9/2000 Kwok et al.
6,119,693 A 9/2000 Kwok et al.
D439,326 S * 3/2001 Hecker et al. D24/110.5
D441,860 S 5/2001 Kopacko et al.

* cited by examiner

(21) Appl. No.: **29/147,159**
(22) Filed: **Aug. 23, 2001**

Primary Examiner—Ian Simmons
(74) *Attorney, Agent, or Firm*—Pearne & Gordon LLP

(51) **LOC (7) Cl.** **29-02**
(52) **U.S. Cl.** **D24/110.1; D24/110.4**
(58) **Field of Search** D24/110.1, 110.4, D24/110.5, 128; 128/207.17, 207.18, 207.11, 207.13, 205.25, 206.25

(57) **CLAIM**

The ornamental design for a gel filled forehead cushion for a CPAP mask, as shown and described.

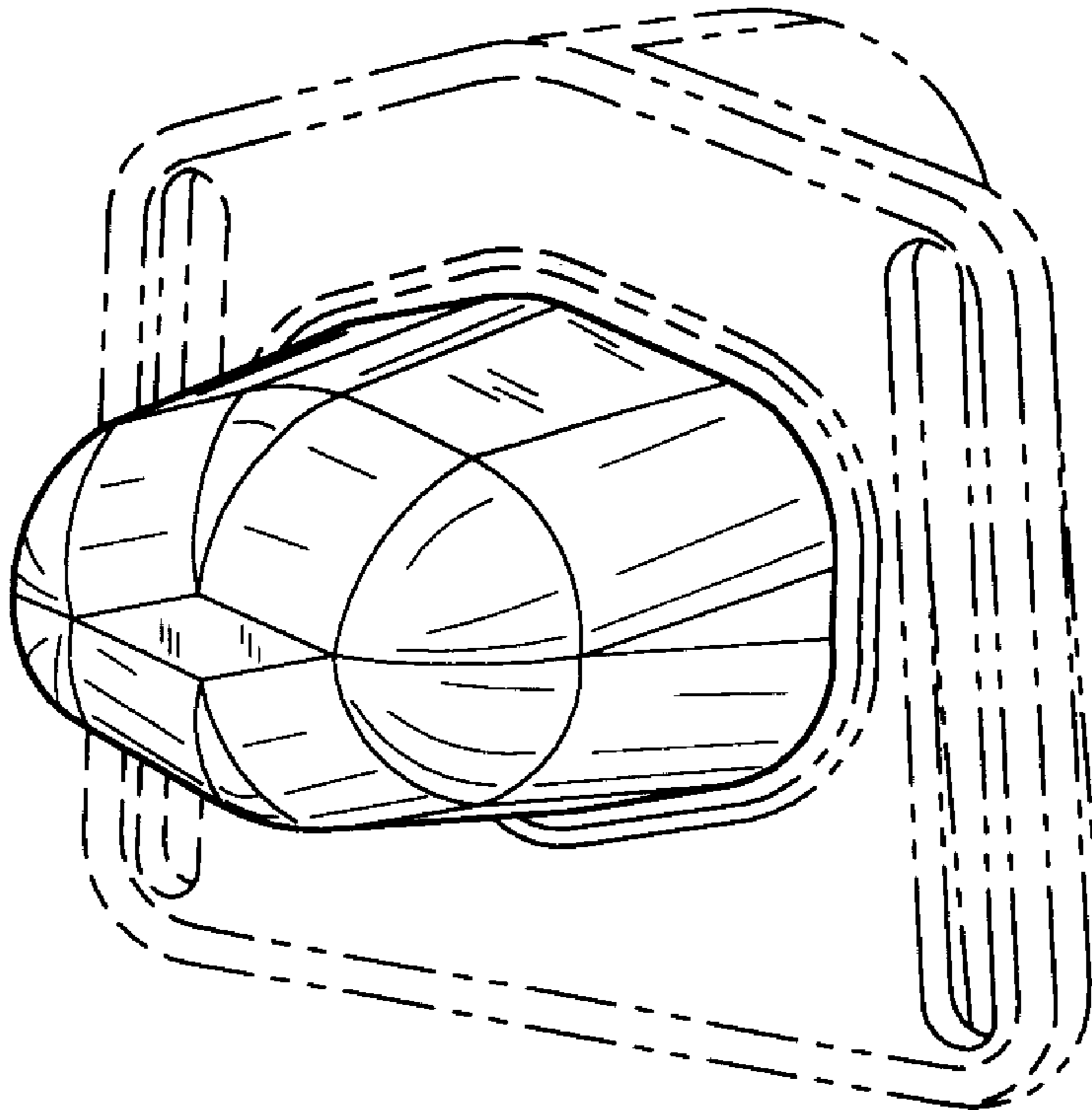
DESCRIPTION

FIG. 1 is a perspective view of a gel filled forehead cushion showing my new design, a mounting bracket being shown in broken lines;
FIG. 2 is a front elevational view thereof;
FIG. 3 is a left side elevational view thereof, the right side being a mirror image;
FIG. 4 is a bottom view thereof;
FIG. 5 is a top plan view thereof; and,
FIG. 6 is a back elevational view having the broken lines removed.

(56) **References Cited**
U.S. PATENT DOCUMENTS

4,732,147 A 3/1988 Fuller
4,821,736 A 4/1989 Watson
4,919,128 A 4/1990 Kopala et al.
5,042,478 A 8/1991 Kopala et al.
5,243,971 A 9/1993 Sullivan et al.
5,477,852 A 12/1995 Landis et al.
5,517,986 A 5/1996 Starr et al.
5,542,128 A 8/1996 Lomas
5,570,689 A 11/1996 Starr et al.

1 Claim, 2 Drawing Sheets



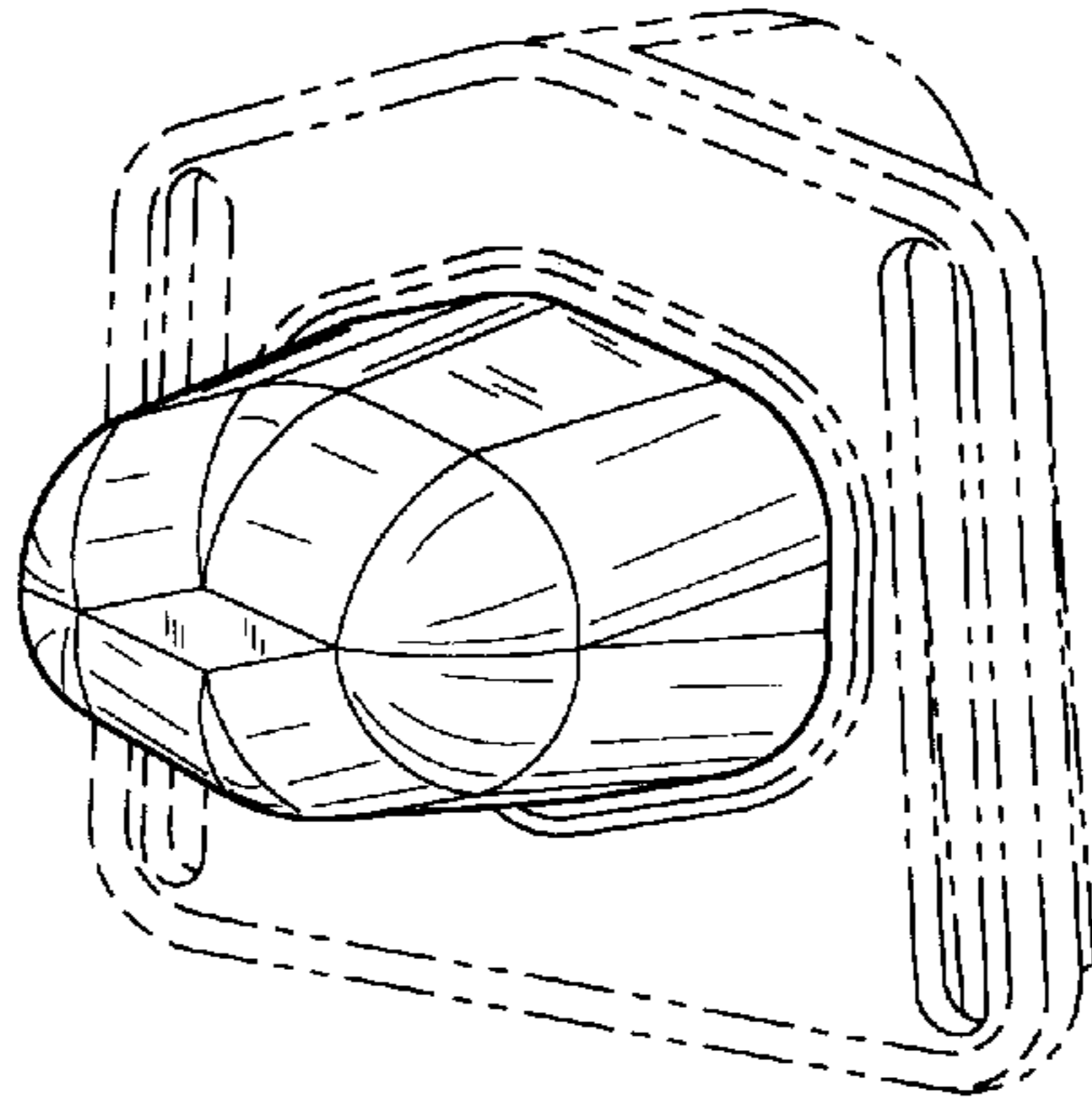


FIG. 1

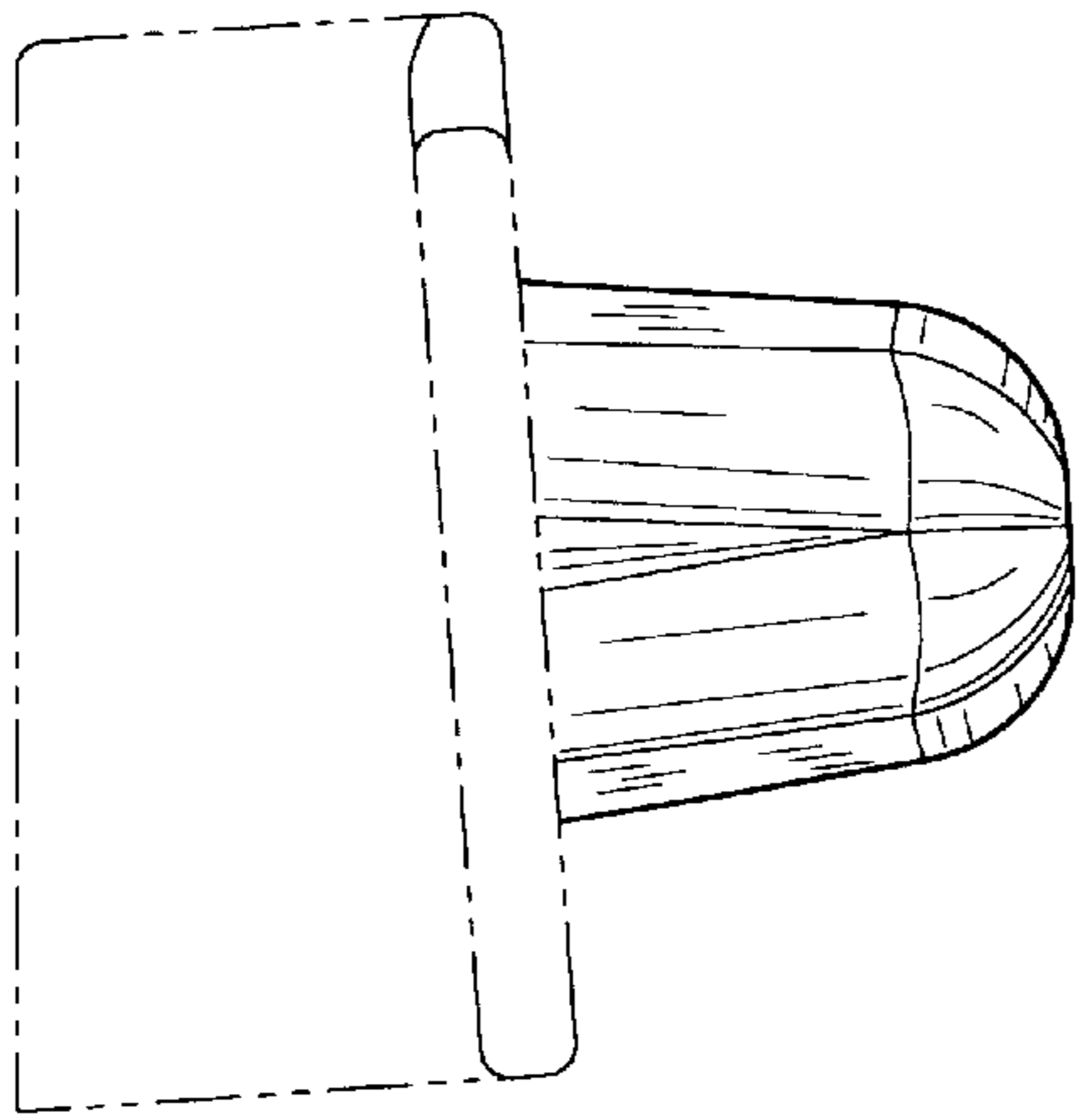


FIG. 3

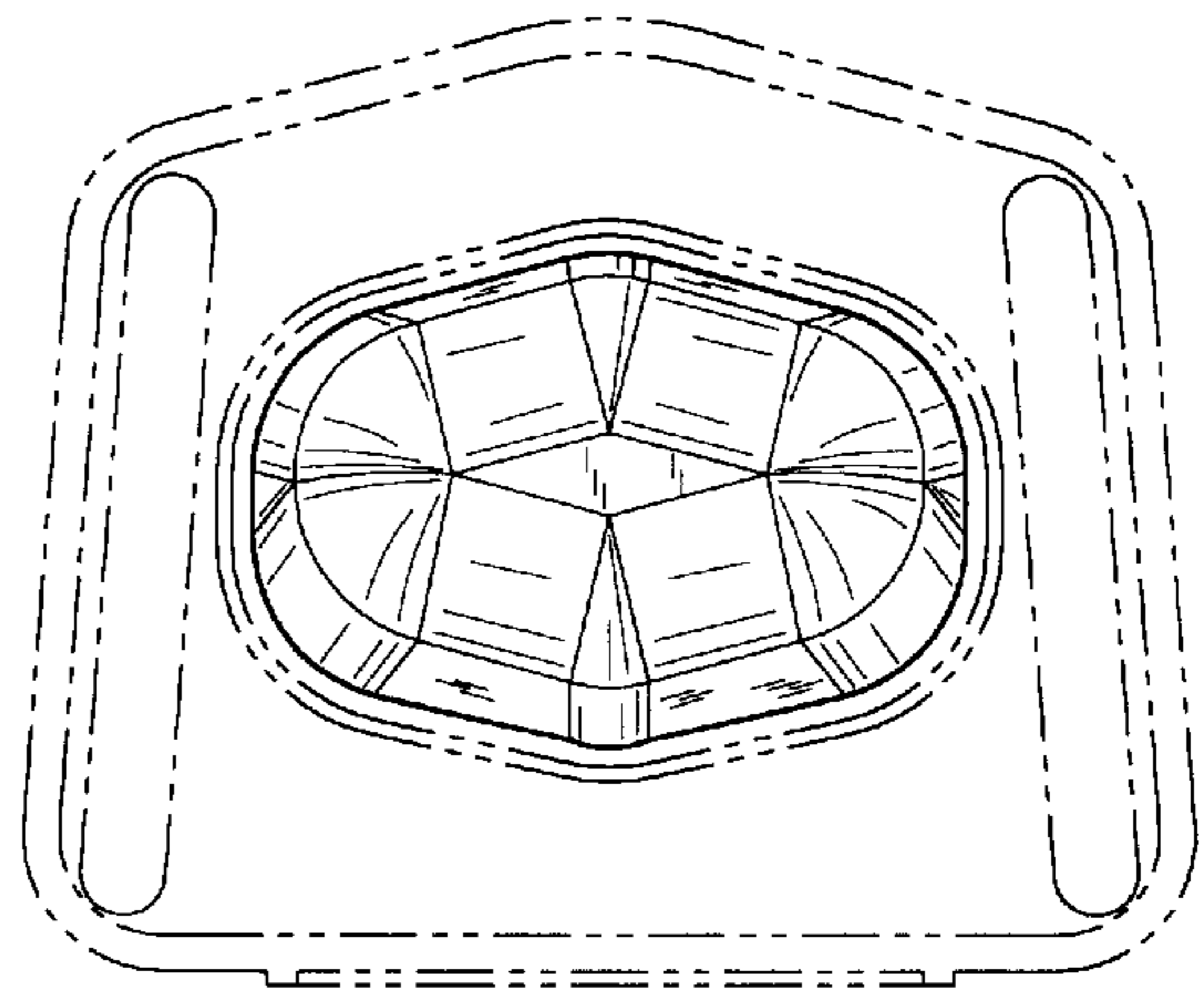


FIG. 2

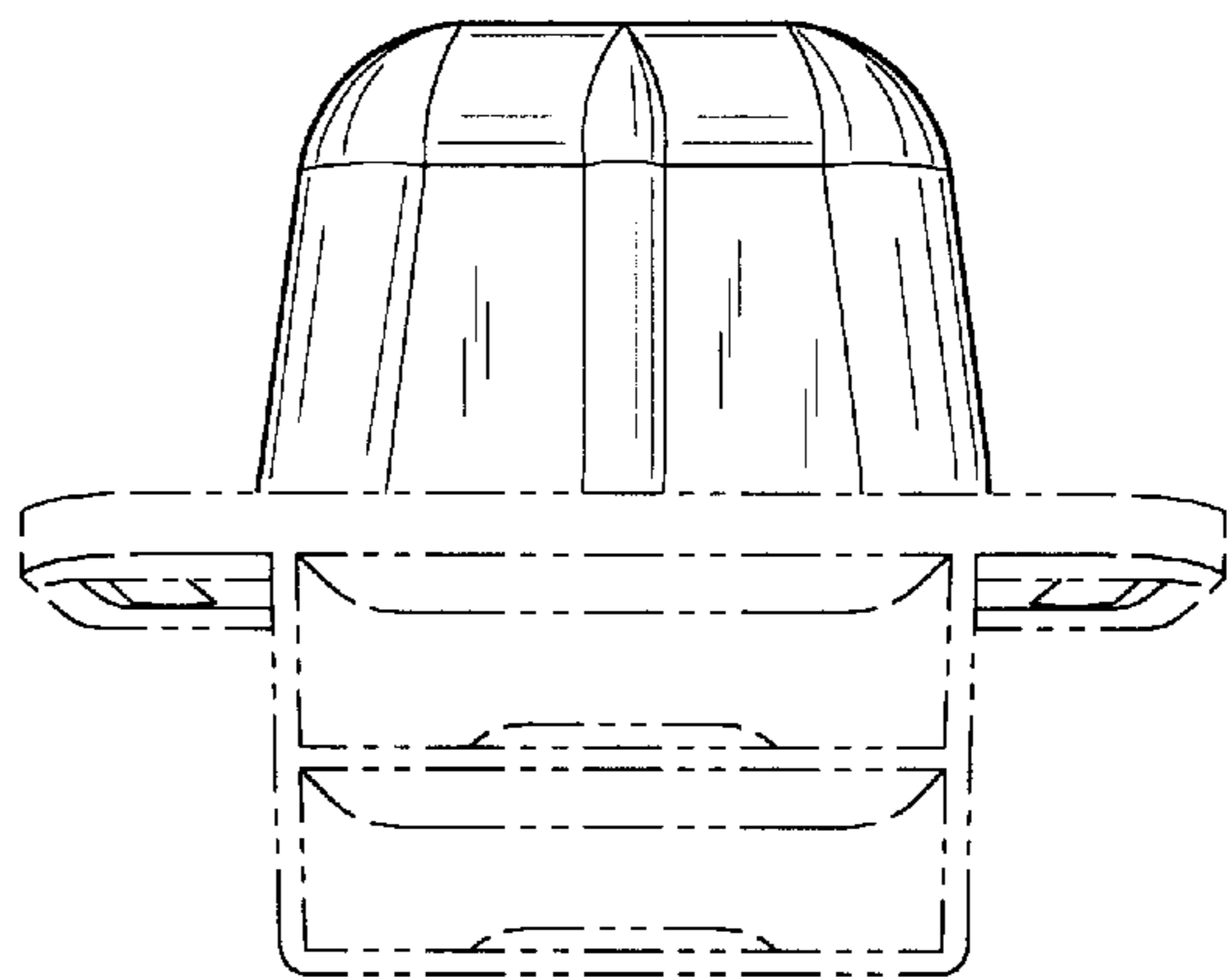


FIG. 4

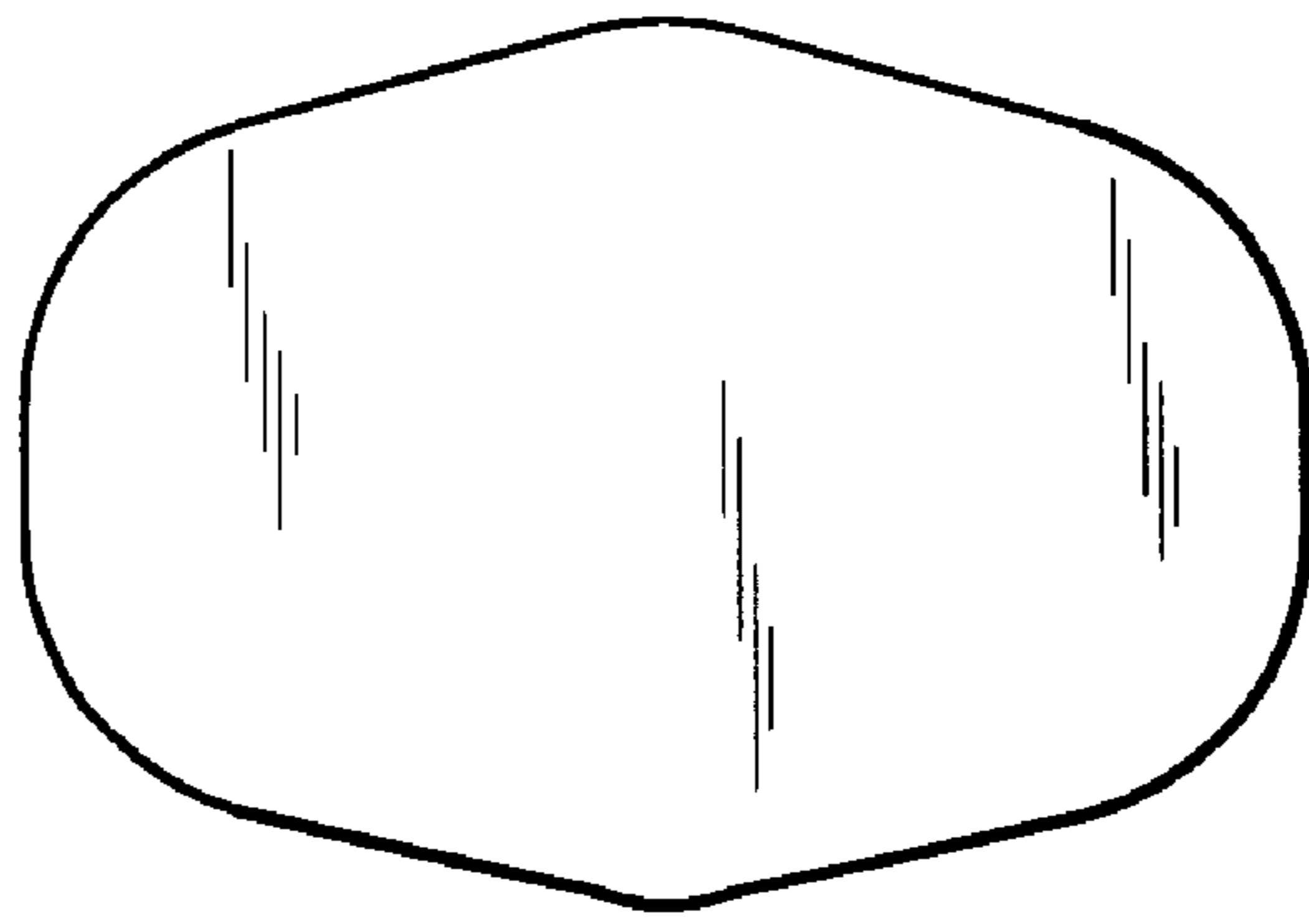


FIG. 5

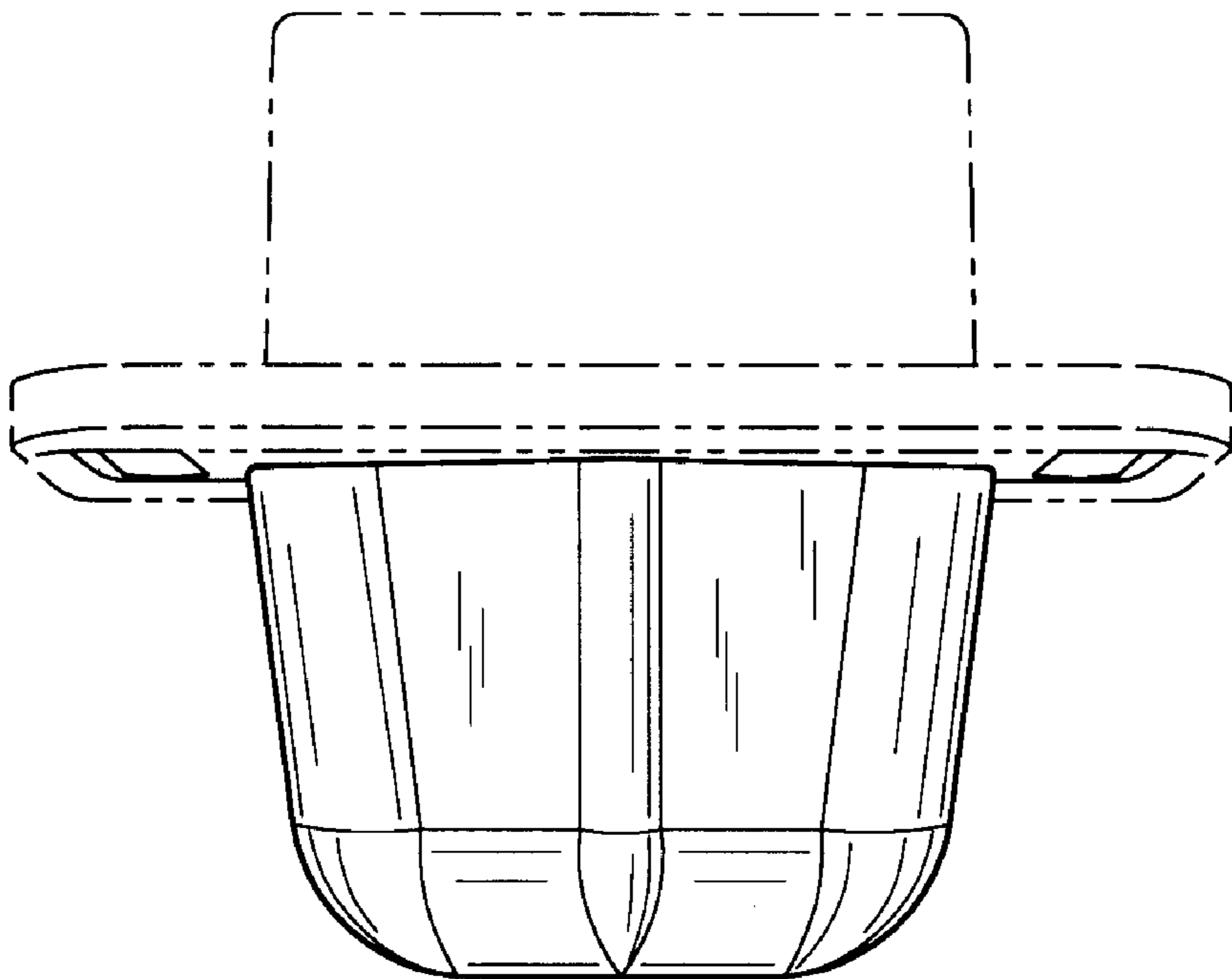


FIG. 6