



US00D464726S

(12) **United States Design Patent**
Wolfe

(10) **Patent No.:** **US D464,726 S**

(45) **Date of Patent:** **** Oct. 22, 2002**

(54) **FACE MASK**

(76) **Inventor:** **Michael Wolfe**, 101 W. 90th St., New York, NY (US) 10024

(**) **Term:** **14 Years**

(21) **Appl. No.:** **29/135,943**

(22) **Filed:** **Jan. 22, 2001**

(51) **LOC (7) Cl.** **29-02**

(52) **U.S. Cl.** **D24/110.1**

(58) **Field of Search** D24/110.1, 110.2,
D24/110.5; 128/206.19, 206.12, 206.13,
205.25, 205.29

(56) **References Cited**

U.S. PATENT DOCUMENTS

2,458,580	A	*	1/1949	Fisketti et al.	128/206.19
2,494,406	A	*	1/1950	Reitano	128/206.13
RE24,549	E	*	10/1958	Haliczer	D24/110.1
D219,082	S	*	10/1970	Bird	D24/110.1
3,884,227	A		5/1975	Lutz et al.		
3,971,369	A	*	7/1976	Aspelin et al.	128/206.19
4,014,047	A	*	3/1977	Zobel	128/206.19
4,248,220	A	*	2/1981	White	128/206.19
4,300,549	A	*	11/1981	Parker	128/206.19

4,802,473	A		2/1989	Hubbard et al.		
4,941,470	A	*	7/1990	Hubbard et al.	128/206.13
5,107,547	A	*	4/1992	Scheu	128/206.19
D355,714	S	*	2/1995	Hubbard et al.	D24/110.2
5,584,078	A	*	12/1996	Saboory	128/206.19
5,699,792	A	*	12/1997	Reese et al.	128/206.19
5,701,893	A		12/1997	Kern et al.		
5,813,398	A		9/1998	Baird et al.		

* cited by examiner

Primary Examiner—Ian Simmons

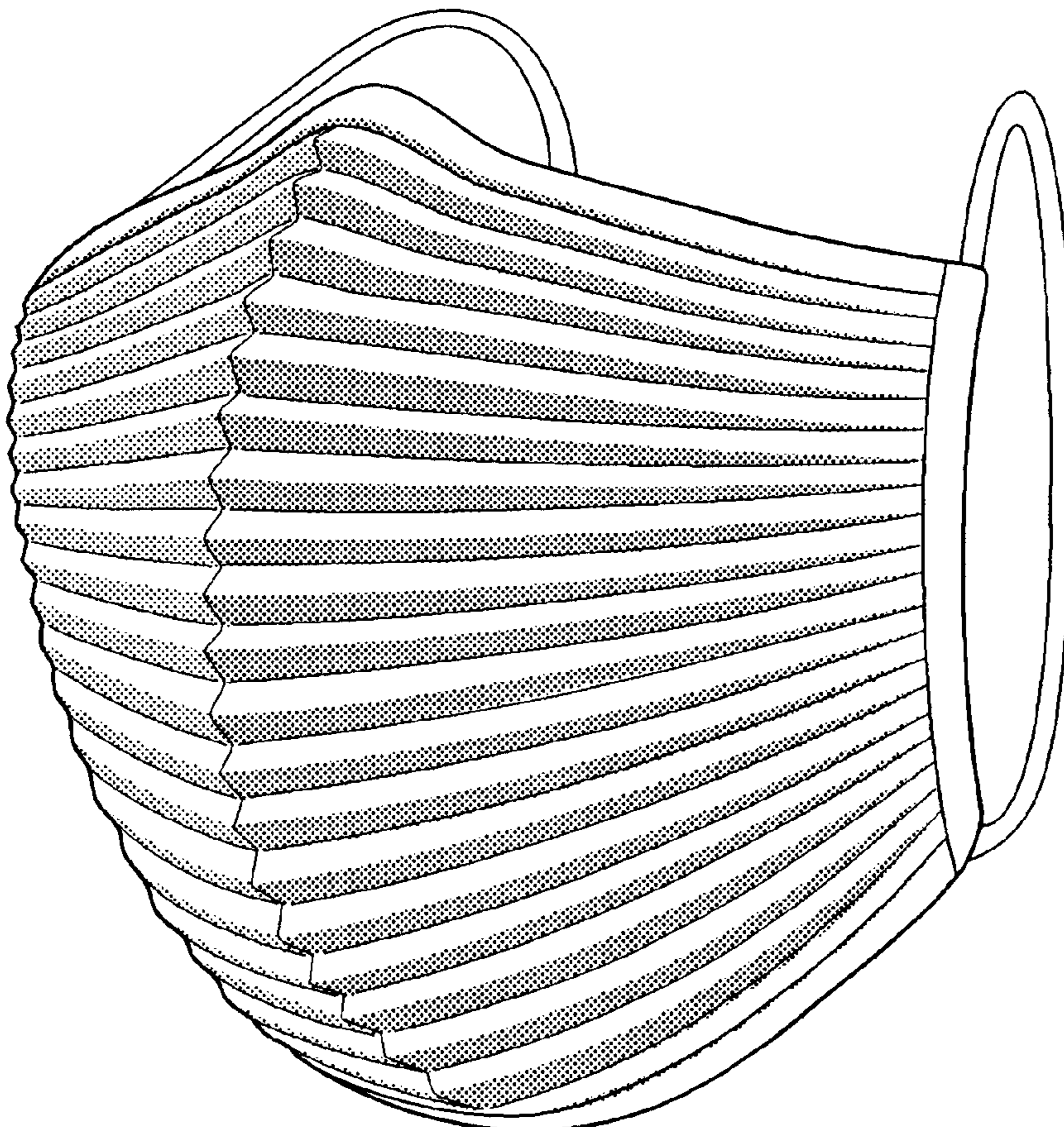
(57) **CLAIM**

The ornamental design for a face mask, as shown and described.

DESCRIPTION

FIG. 1 is a frontal perspective view of the face mask showing my new design;
FIG. 2 is a rear elevation view thereof;
FIG. 3 is a left side elevational view thereof; and,
FIG. 4 is a top view thereof.
The undisclosed right side elevation is a mirror image of the left and the bottom view is essentially a mirror image of the top and contain no additional features.

1 Claim, 2 Drawing Sheets



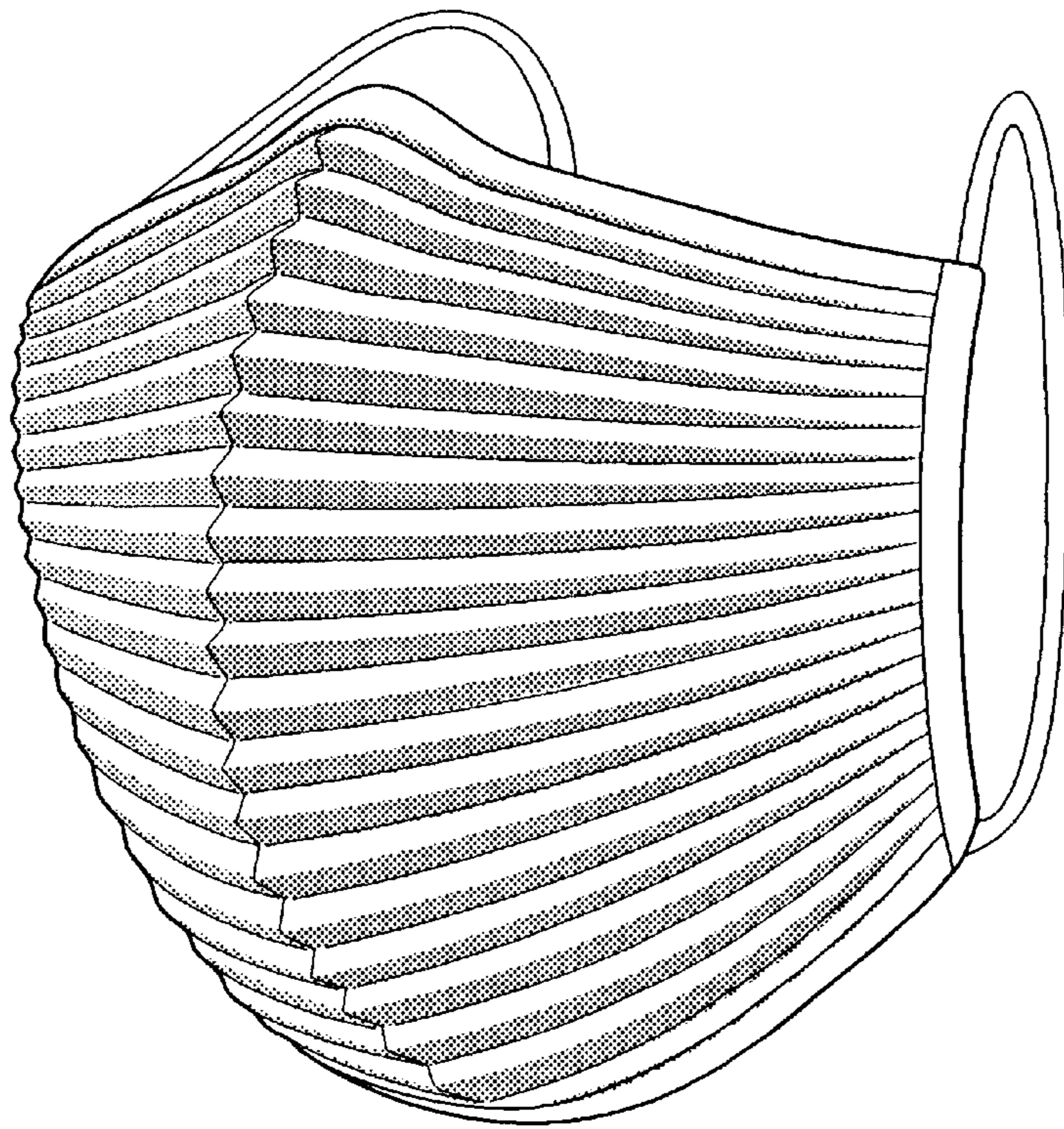


FIG. 1

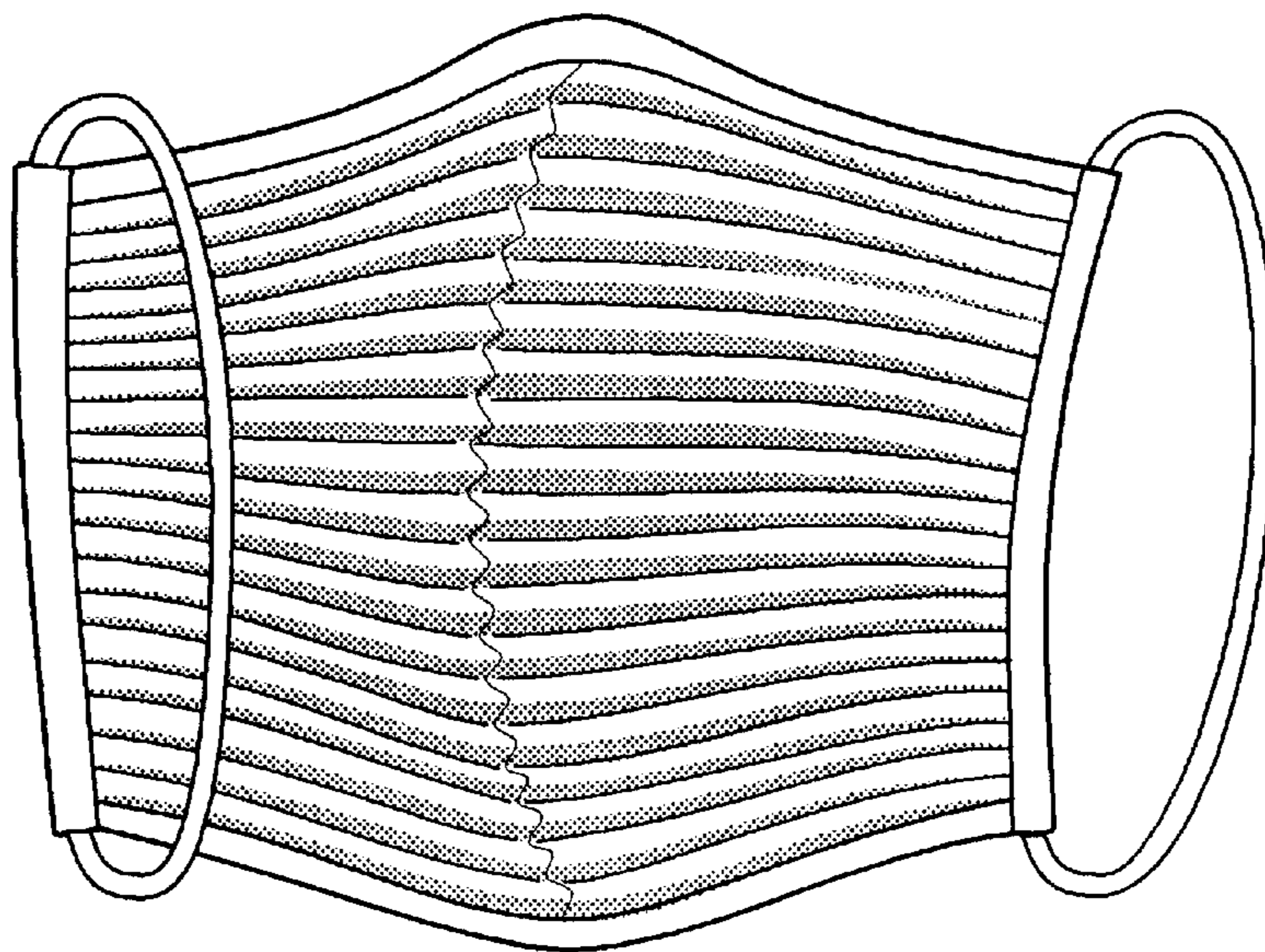


FIG. 2

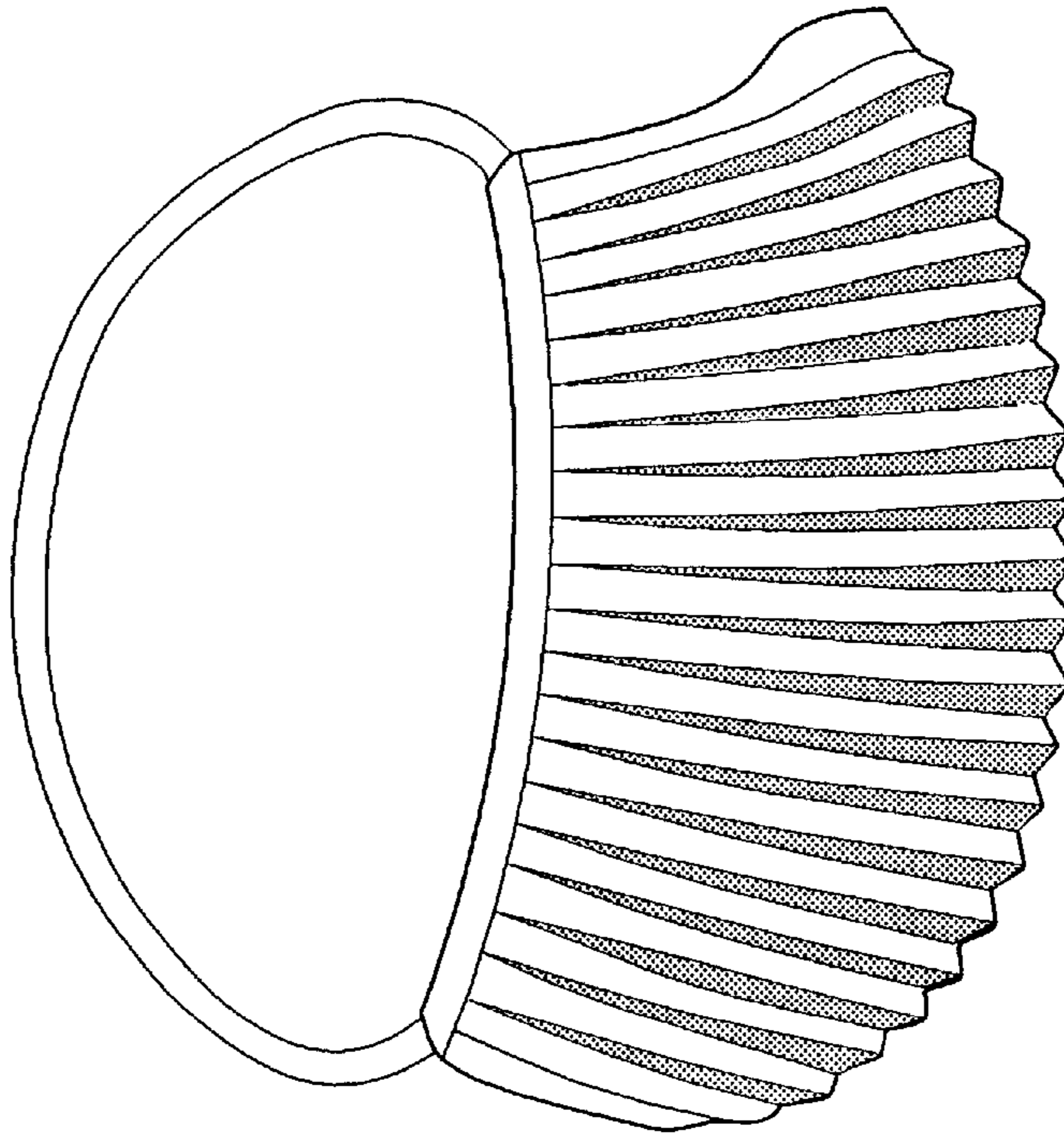


FIG. 3

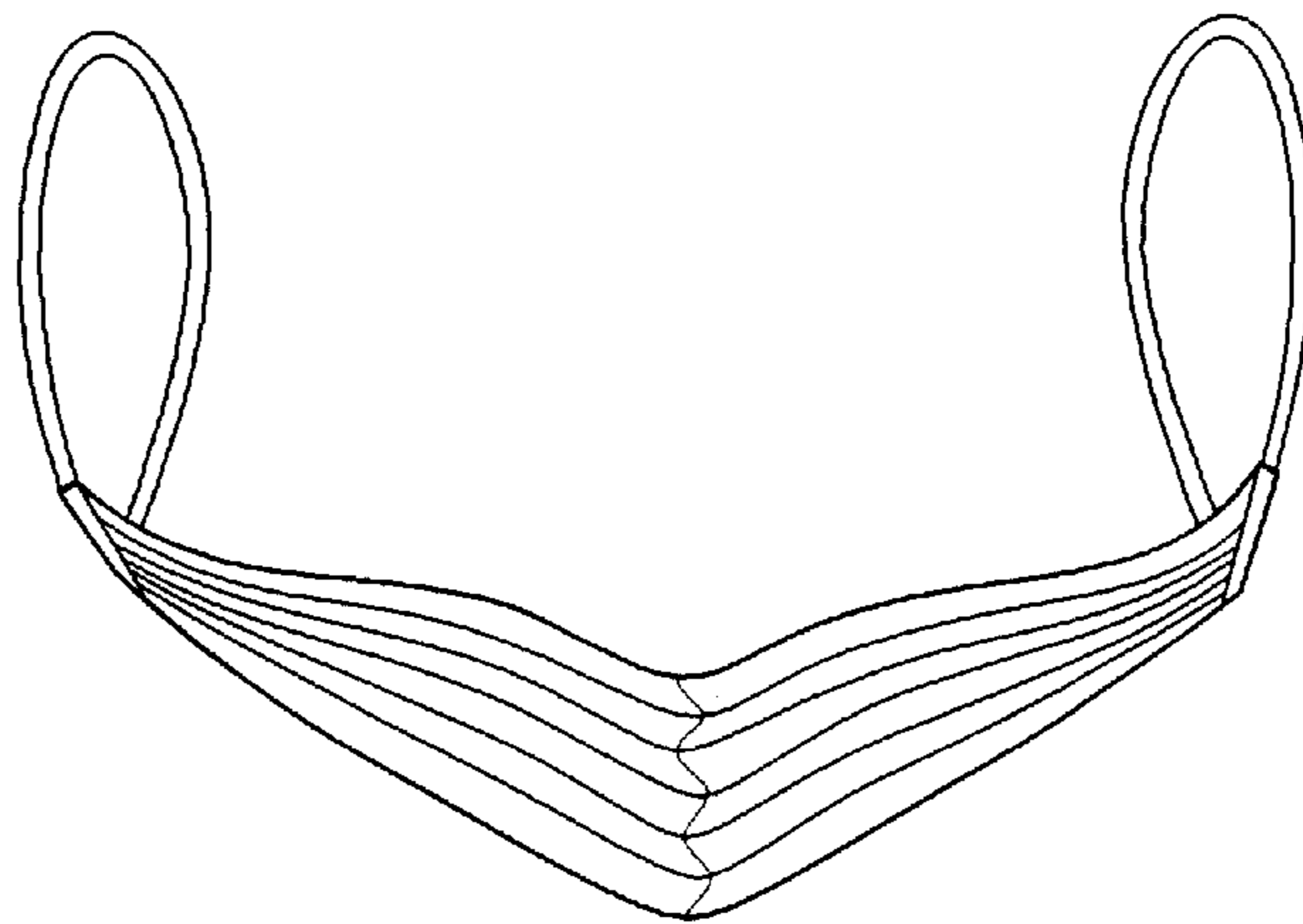


FIG. 4