



US00D464725S

(12) **United States Design Patent**
Petherbridge et al.

(10) **Patent No.:** **US D464,725 S**

(45) **Date of Patent:** **** Oct. 22, 2002**

(54) **NOSE PORTION OF A POWERED AIR-PURIFYING RESPIRATOR BODY**
(75) Inventors: **Ian T. Petherbridge**, Bognor Regis (GB); **James R. Betz**, Hudson, WI (US)

EP 0 164 946 A2 12/1985
EP 0 078 110 B1 5/1986
EP 0 352 938 B1 10/1993
FR 572847 6/1924
WO WO 83/00632 3/1983
WO WO 96/29116 9/1996

(73) Assignee: **3M Innovative Properties Company**, St. Paul, MI (US)

OTHER PUBLICATIONS

(**) Term: **14 Years**

Domestic Preparedness—Powered Air Protection for First Responders C420 Mil-Spec PAPR; SCOTT a Scott Technologies Company (dated Sep. 1999) (a four page brochure).

(21) Appl. No.: **29/127,371**

* cited by examiner

(22) Filed: **Aug. 3, 2000**

Primary Examiner—Ian Simmons

(51) **LOC (7) Cl.** **29-02**

(74) *Attorney, Agent, or Firm*—Michael A. Hakamaki

(52) **U.S. Cl.** **D24/110.1**

(58) **Field of Search** D24/110.1, 110, D24/110.6, 110.2, 110.3, 164, 162; 128/205.25, 205.24, 205.27, 206.21, 207.12, 207.16, 206.12, 206.28, 206.17, 205.29, 201.17, 201.22, 201.23, 201.25

(57) **CLAIM**

The ornamental design for the nose portion of a powered air-purifying respirator body, as shown and described.

(56) **References Cited**

DESCRIPTION

U.S. PATENT DOCUMENTS

FIG. 1 is a perspective view of a nose of a powered air-purifying respirator body showing our new design.

2,642,061 A 6/1953 Boyer
4,088,461 A 5/1978 Brauer
4,971,052 A 11/1990 Edwards
5,036,844 A 8/1991 Pouchot et al.
5,078,132 A * 1/1992 Braun et al. 128/206.12
5,906,203 A 5/1999 Klockseth et al.

FIG. 2 is a top view thereof.

FIG. 3 is a left side view thereof.

FIG. 4 is a front view thereof.

FIG. 5 is a right side view thereof.

FIG. 6 is a bottom view thereof; and,

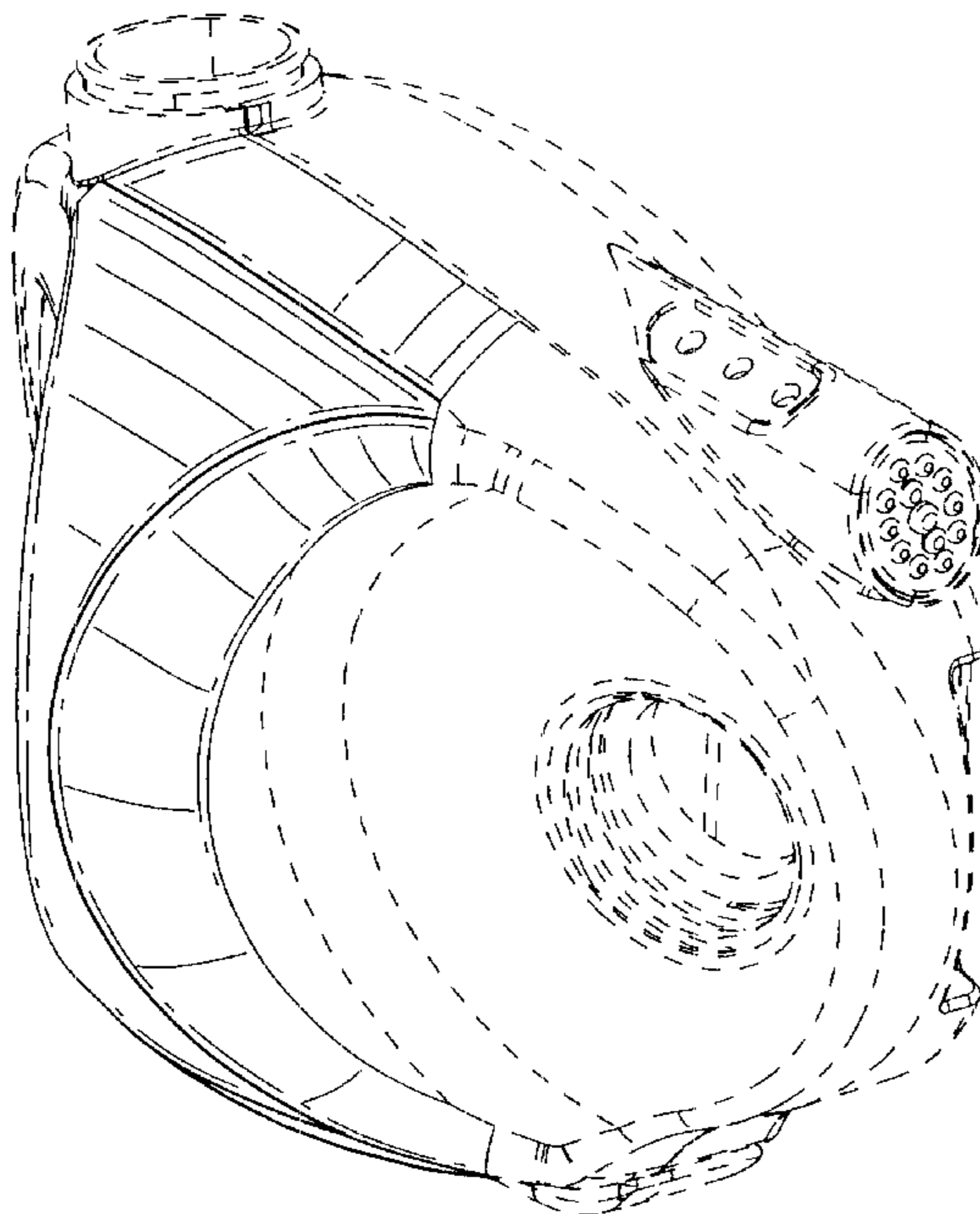
FIG. 7 is a rear view thereof.

The broken line showing forms no part of the claimed design. The shading is provided only to illustrate contour; it is not indicative of texture, etc.

FOREIGN PATENT DOCUMENTS

DE 3818295 A1 7/1989
EP 0 108 560 A1 5/1984

1 Claim, 4 Drawing Sheets



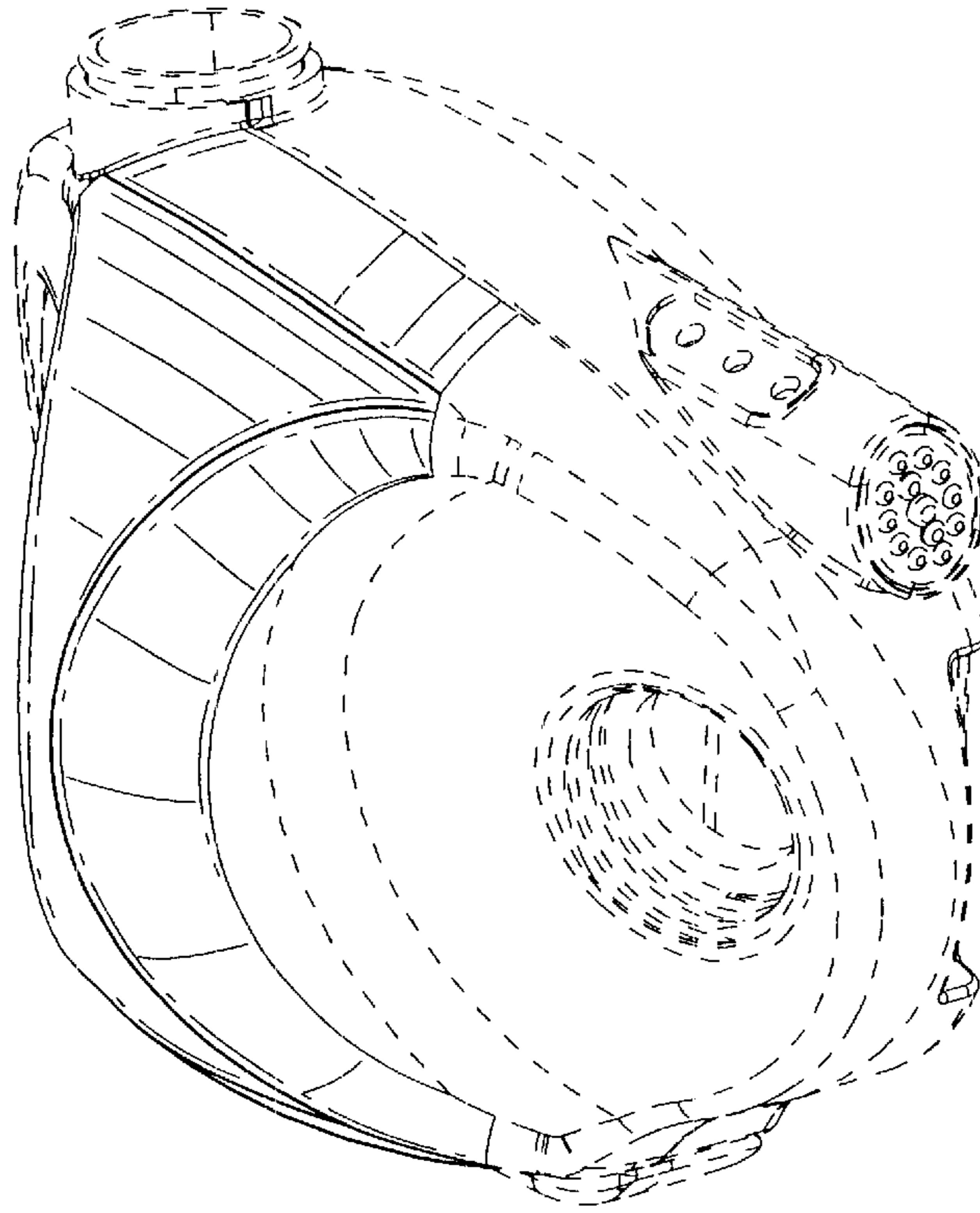


Fig. 1

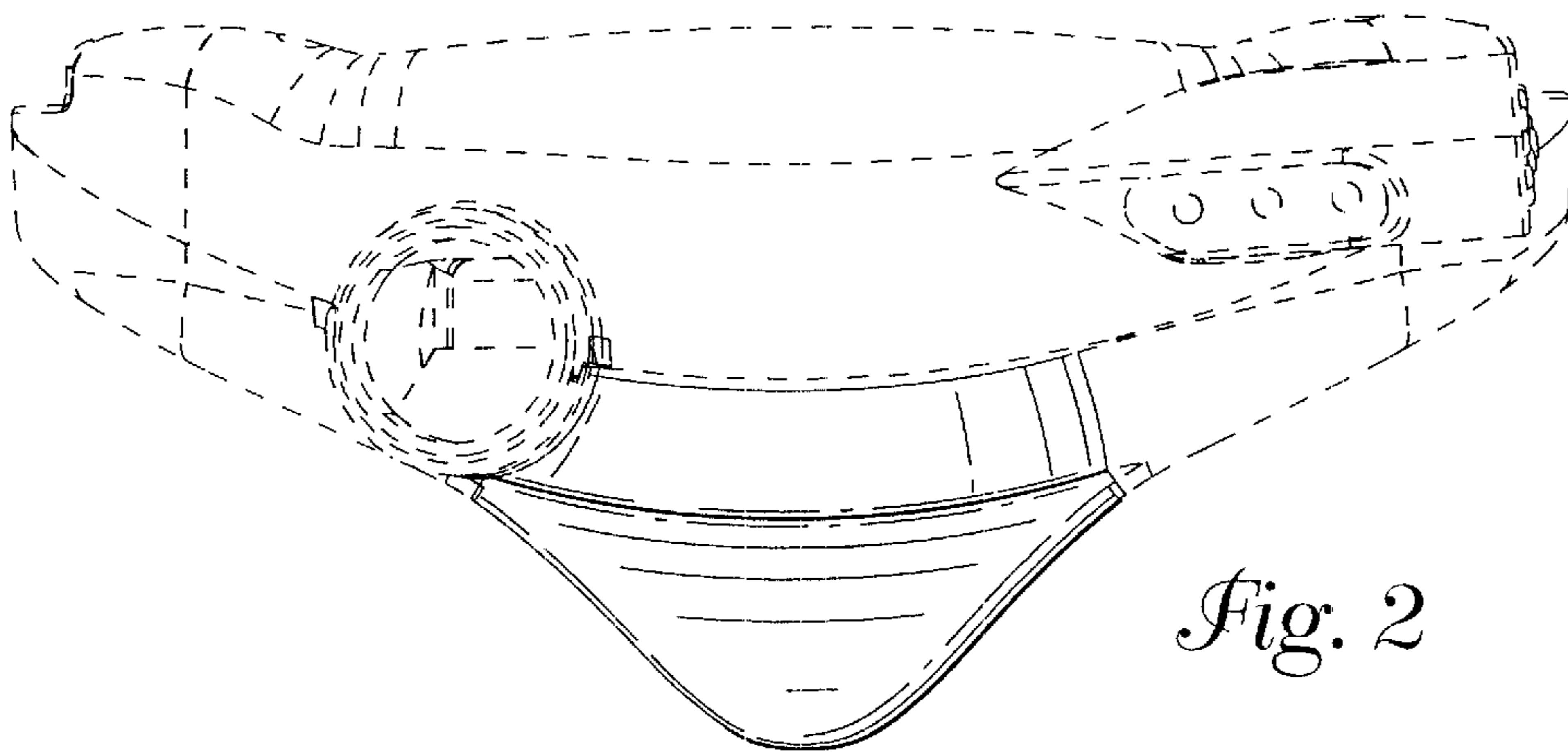


Fig. 2

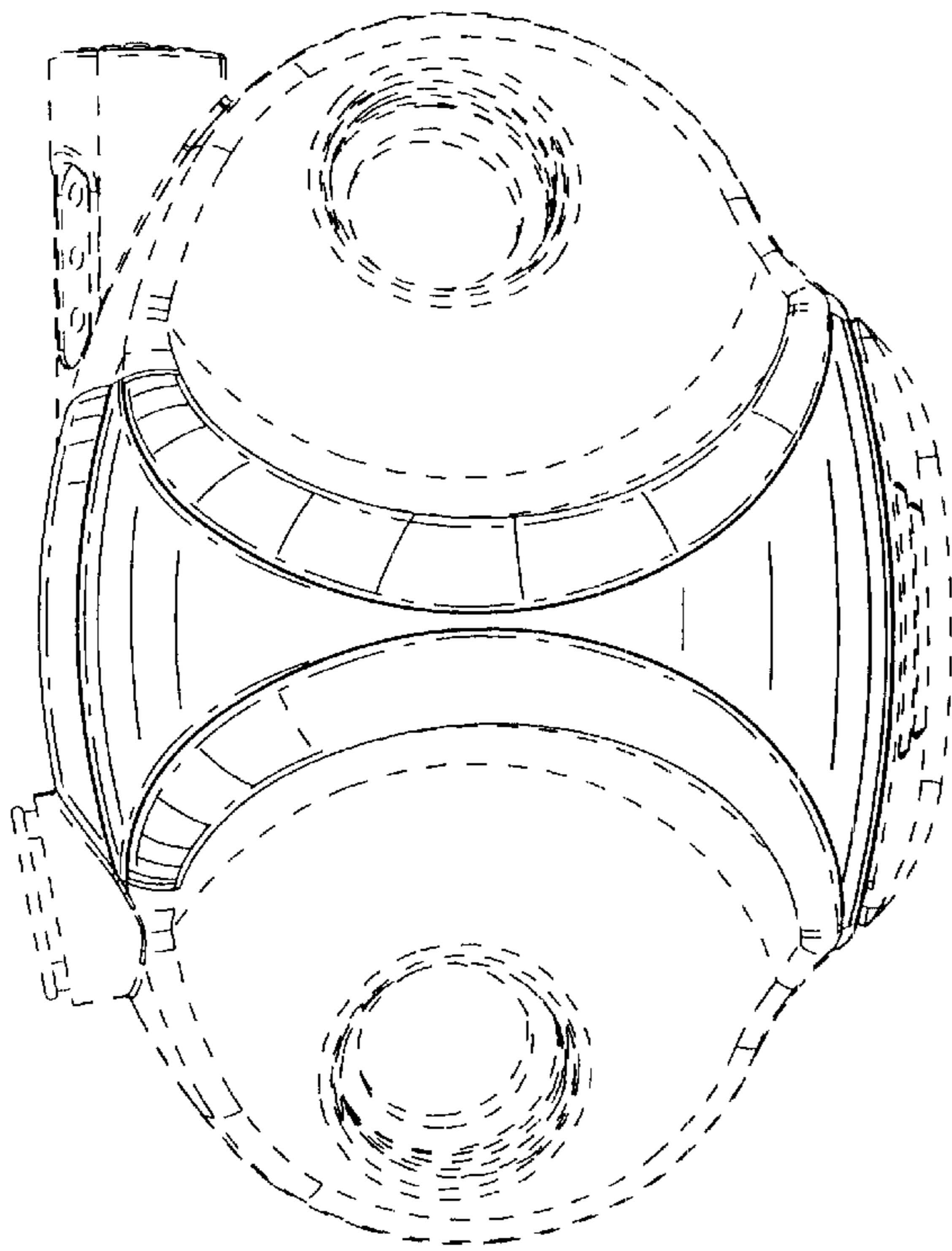


Fig. 4

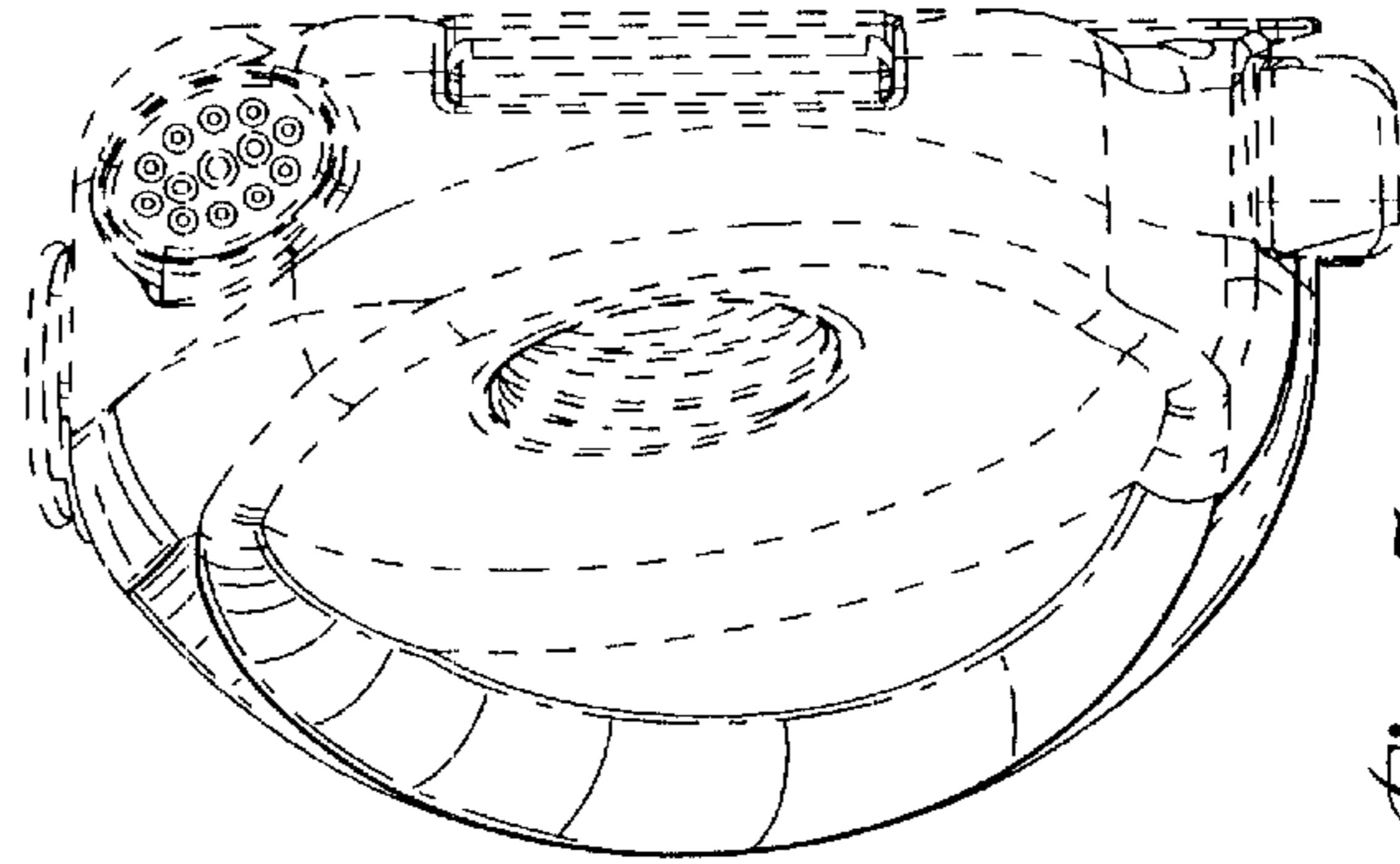


Fig. 5

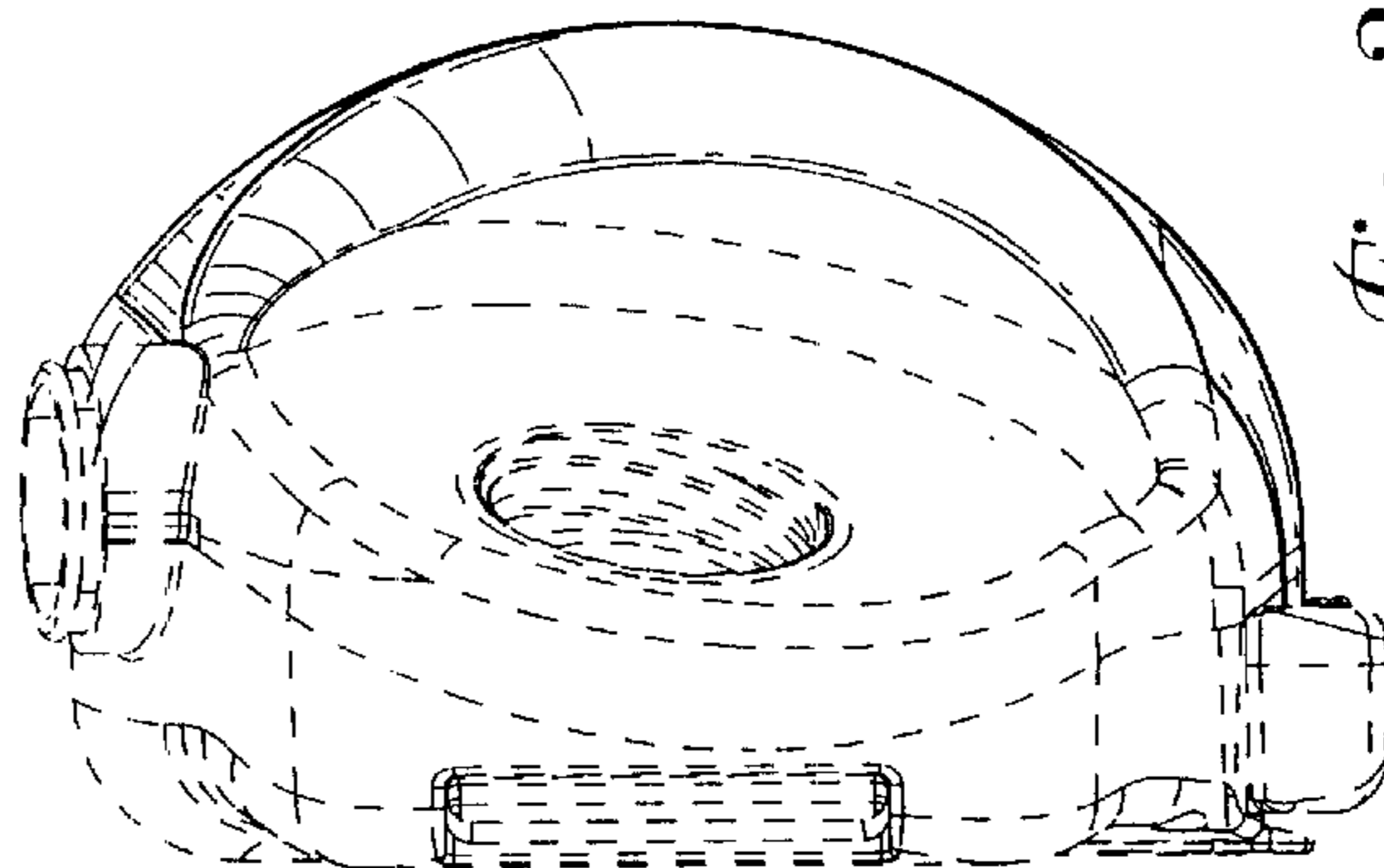


Fig. 3

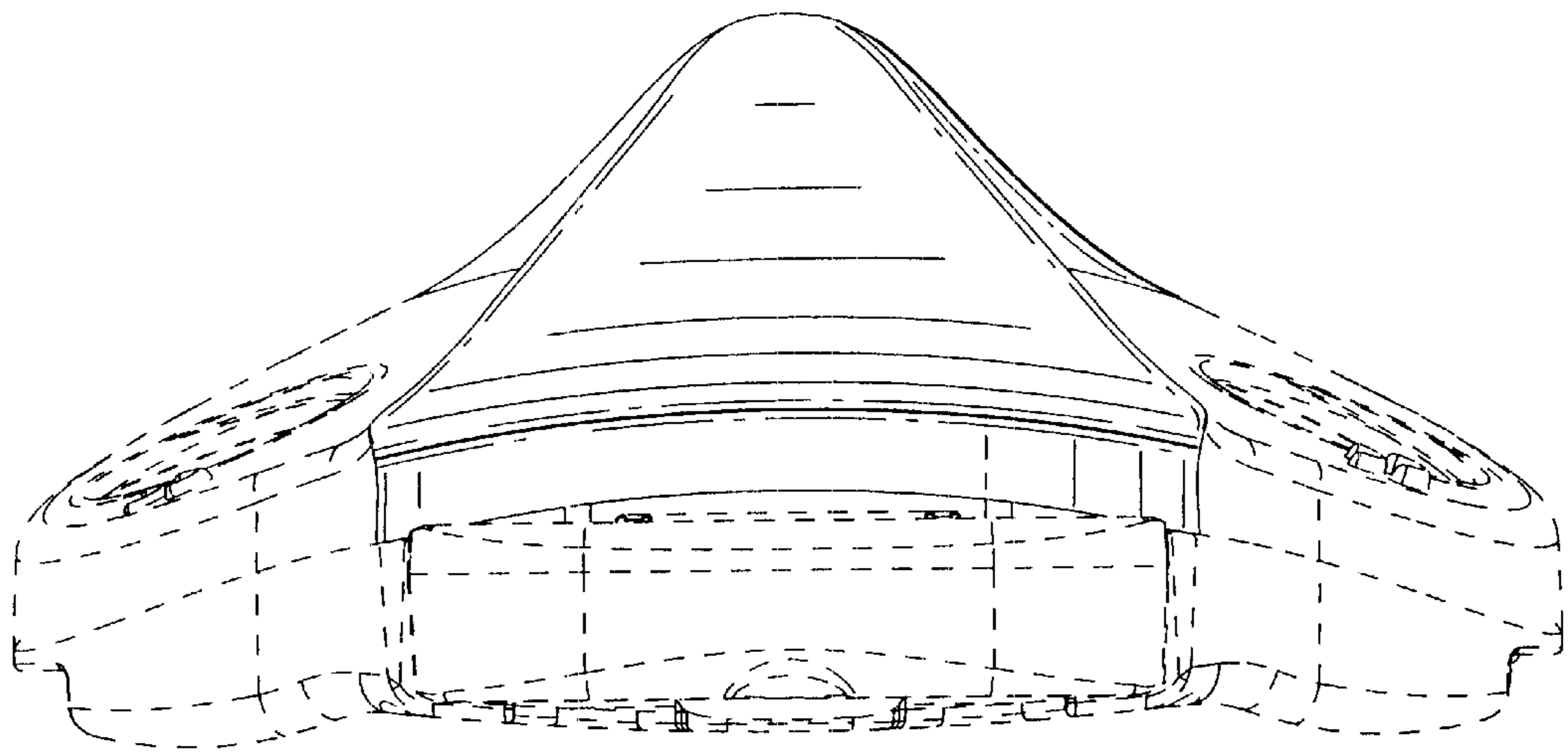


Fig. 6

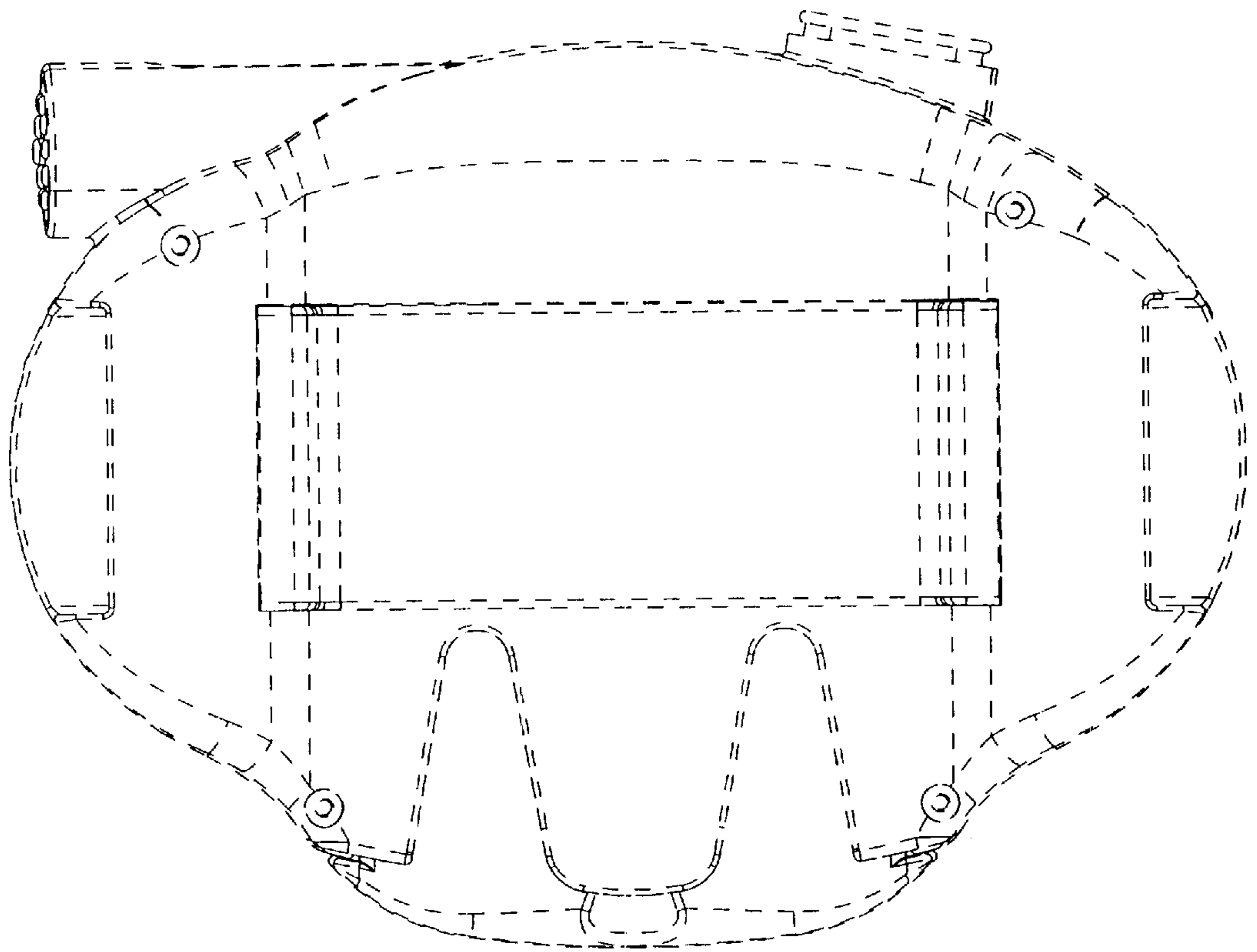


Fig. 7