



US00D464724S

(12) **United States Design Patent**
Lynch et al.

(10) **Patent No.:** **US D464,724 S**

(45) **Date of Patent:** **** Oct. 22, 2002**

(54) **FLOW GENERATOR**

D421,298 S * 2/2000 Kenyon et al. D24/110
D427,675 S * 7/2000 Hansel D24/110

(75) Inventors: **Susan R. Lynch**, Rodd Point (AU);
Andrew Cheung, Burwood (AU); **Atul S. Magikar**, Ashfield (AU); **Phillip Jenkinson**, Epping (AU)

* cited by examiner

Primary Examiner—Ian Simmons
(74) *Attorney, Agent, or Firm*—Pillsbury Winthrop LLP

(73) Assignee: **ResMed Limited**, North Ryde (AU)

(57) **CLAIM**

(**) Term: **14 Years**

The ornamental design for “flow generator”, as shown and described.

(21) Appl. No.: **29/149,988**

DESCRIPTION

(22) Filed: **Oct. 26, 2001**

Related U.S. Application Data

(62) Division of application No. 29/126,522, filed on Jul. 14, 2000.

(30) **Foreign Application Priority Data**

Jan. 14, 2000 (AU) 105/00

(51) **LOC (7) Cl.** **29-02**

(52) **U.S. Cl.** **D24/110**

(58) **Field of Search** D24/110; 128/204.23,
128/204.14, 204.18, 200.14, 200.22, 204.21,
200.18, 200.1

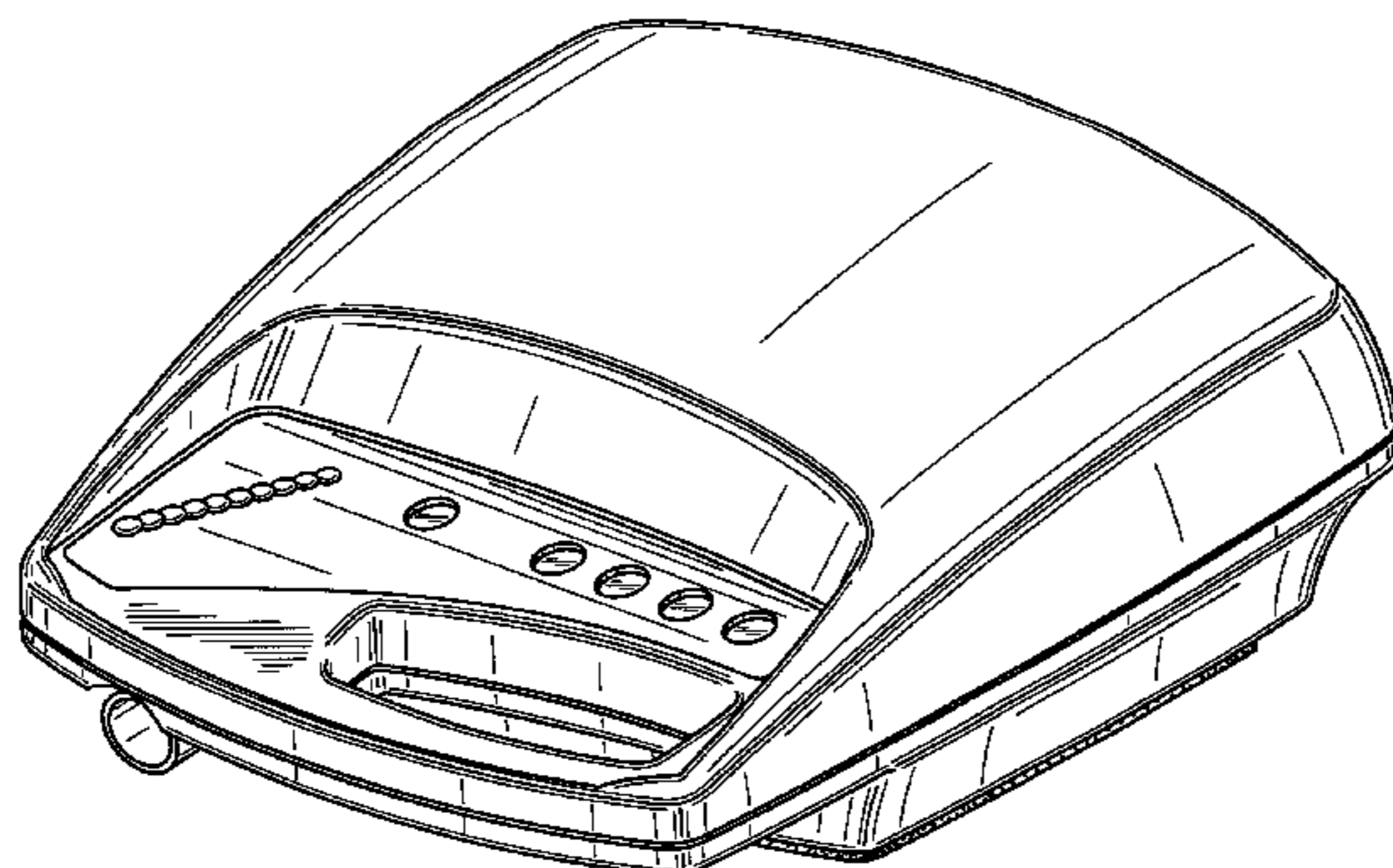
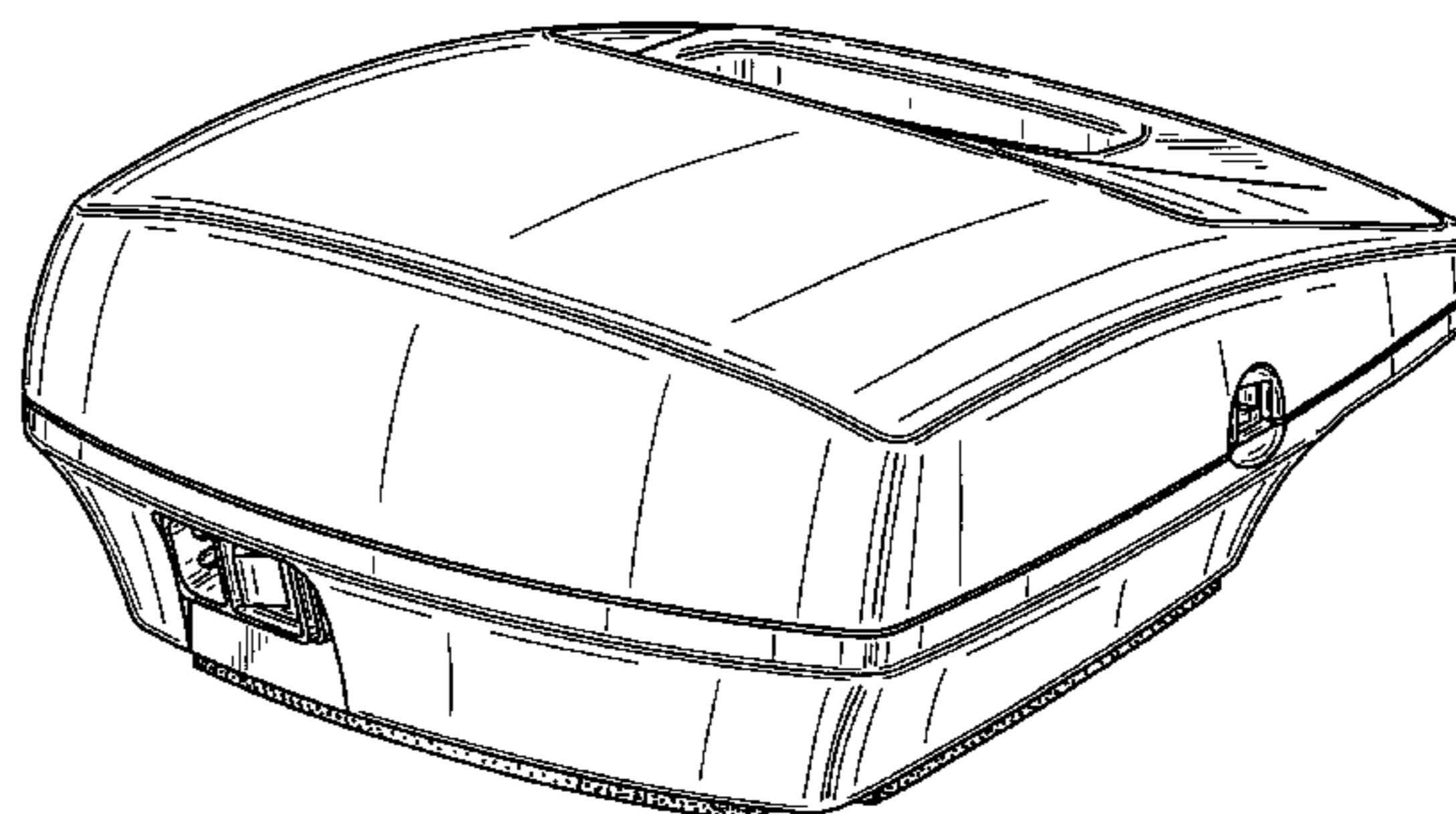
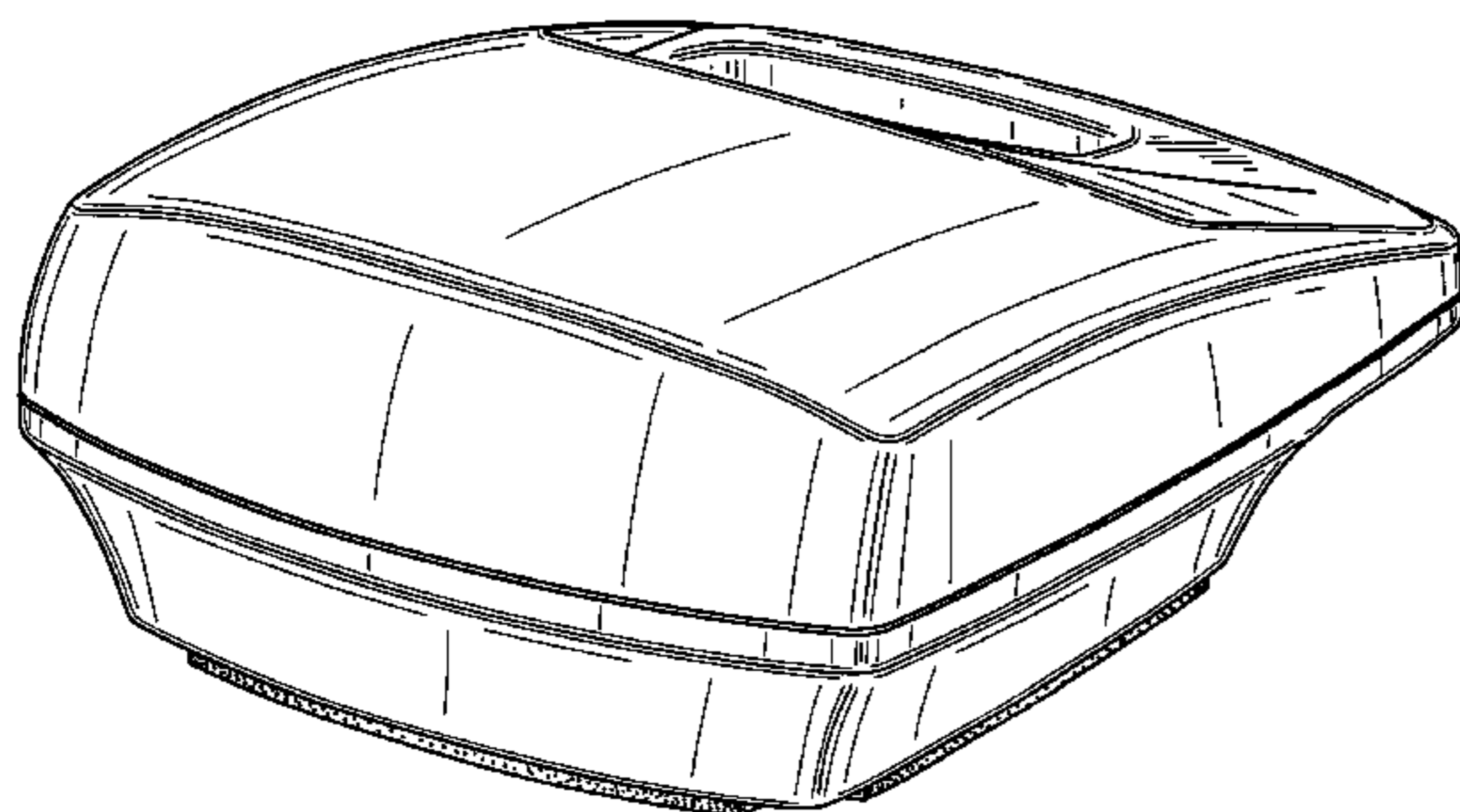
FIG. 1 is a rear perspective view showing a first embodiment of our new design;
FIG. 2 is a rear perspective view showing a second embodiment of our new design;
FIG. 3 is a front perspective view showing a first embodiment of our new design;
FIG. 4 is a rear perspective view thereof;
FIG. 5 is a plan view thereof;
FIG. 6 is a front view thereof;
FIG. 7 is a right side view thereof;
FIG. 8 is a left side view thereof;
FIG. 9 is a rear view thereof;
FIG. 10 is an inverted plan view thereof;
FIG. 11 is a front perspective view showing a second embodiment of our new design;
FIG. 12 is a rear perspective view thereof;
FIG. 13 is a plan view thereof;
FIG. 14 is a front view thereof;
FIG. 15 is a right side view thereof;
FIG. 16 is a left side view thereof;
FIG. 17 is a rear view thereof; and,
FIG. 18 is an inverted plan view thereof.

(56) **References Cited**

U.S. PATENT DOCUMENTS

5,117,819 A * 6/1992 Servidio et al. 128/204.18
D348,927 S * 7/1994 Attolini D24/110
D378,128 S * 2/1997 Rozek et al. D24/110
5,673,687 A * 10/1997 Dobson et al. 128/204.14
5,682,878 A * 11/1997 Ogden 128/204.23
5,715,812 A * 2/1998 Deighan et al. 128/204.23

1 Claim, 9 Drawing Sheets



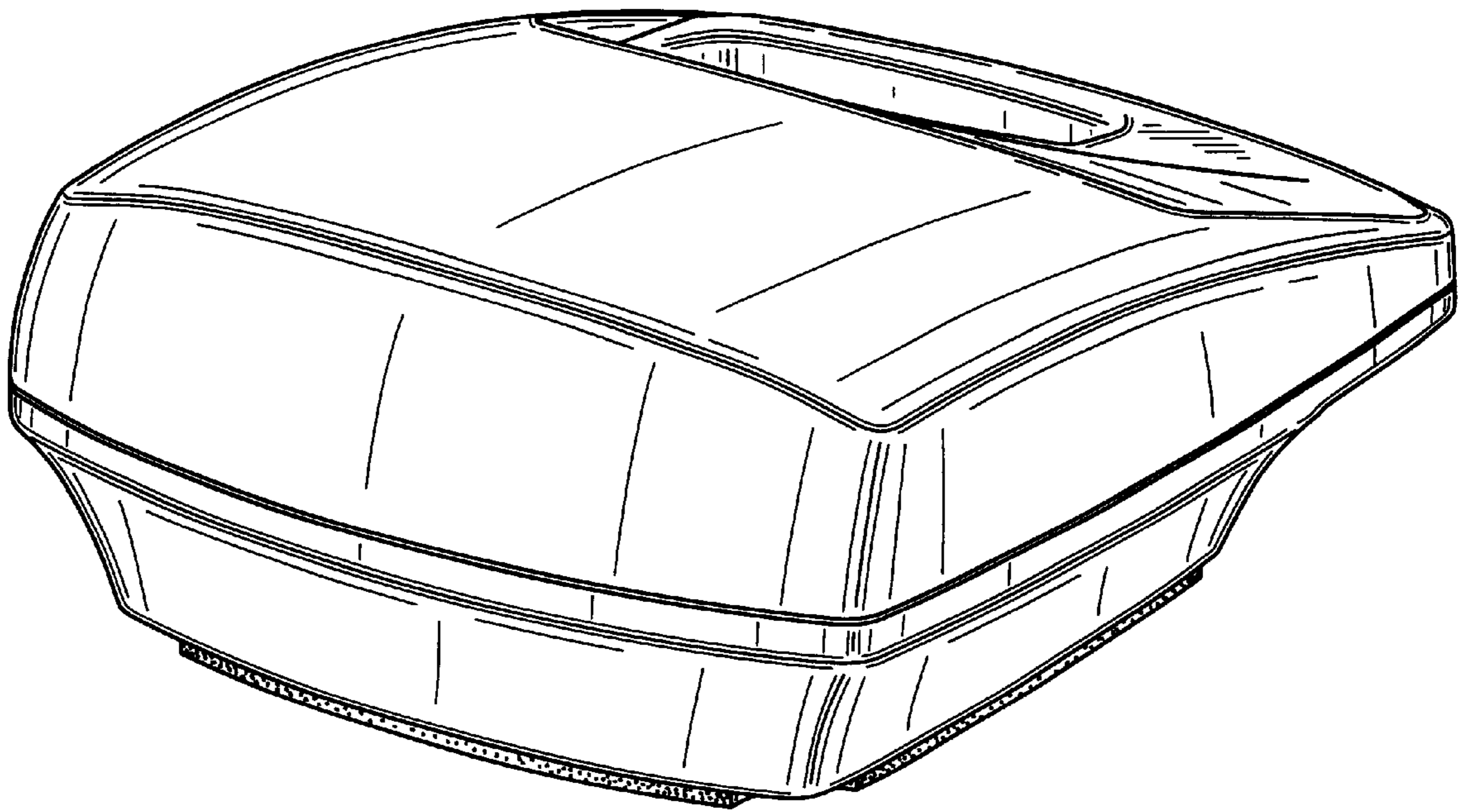


FIG. 1

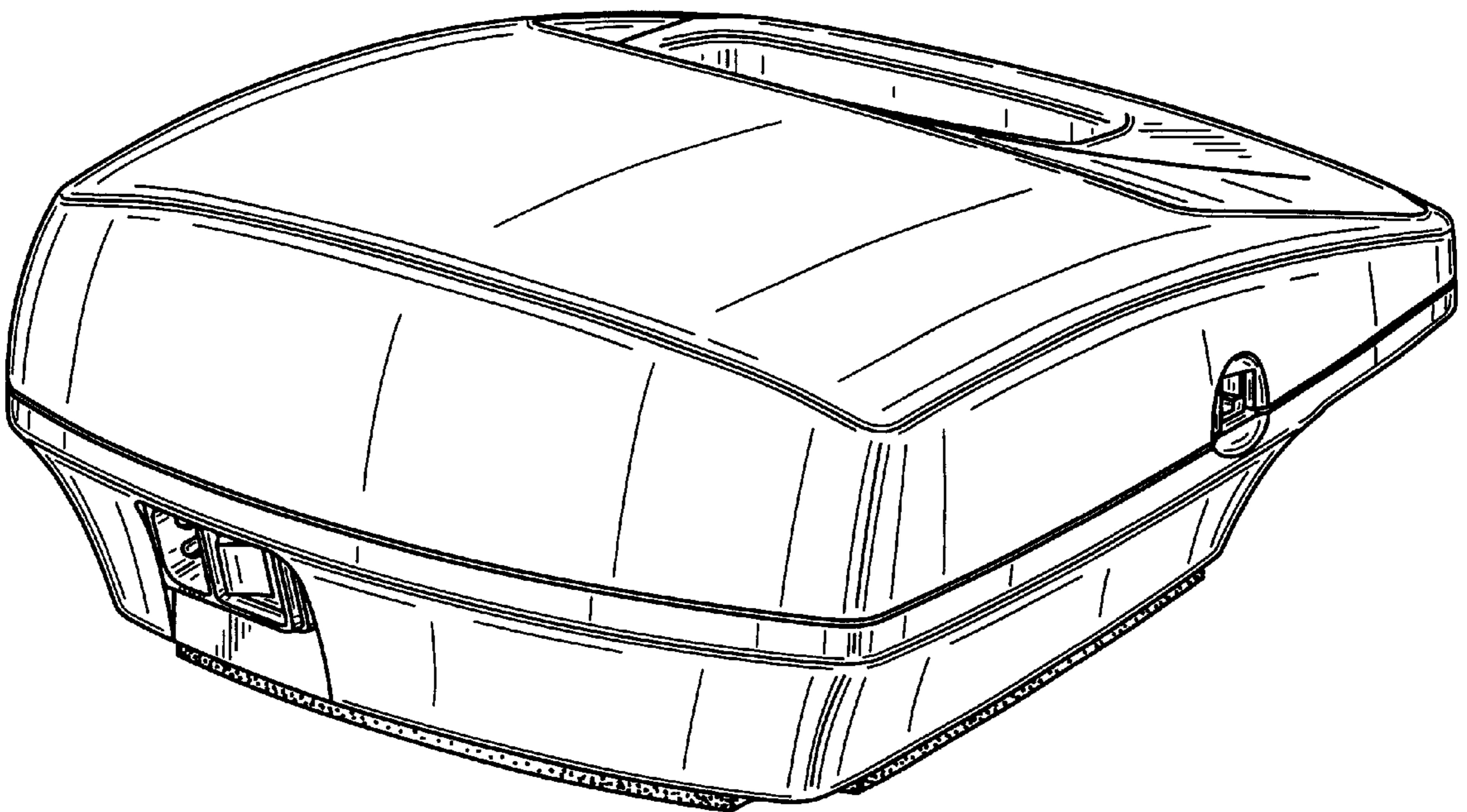


FIG. 2

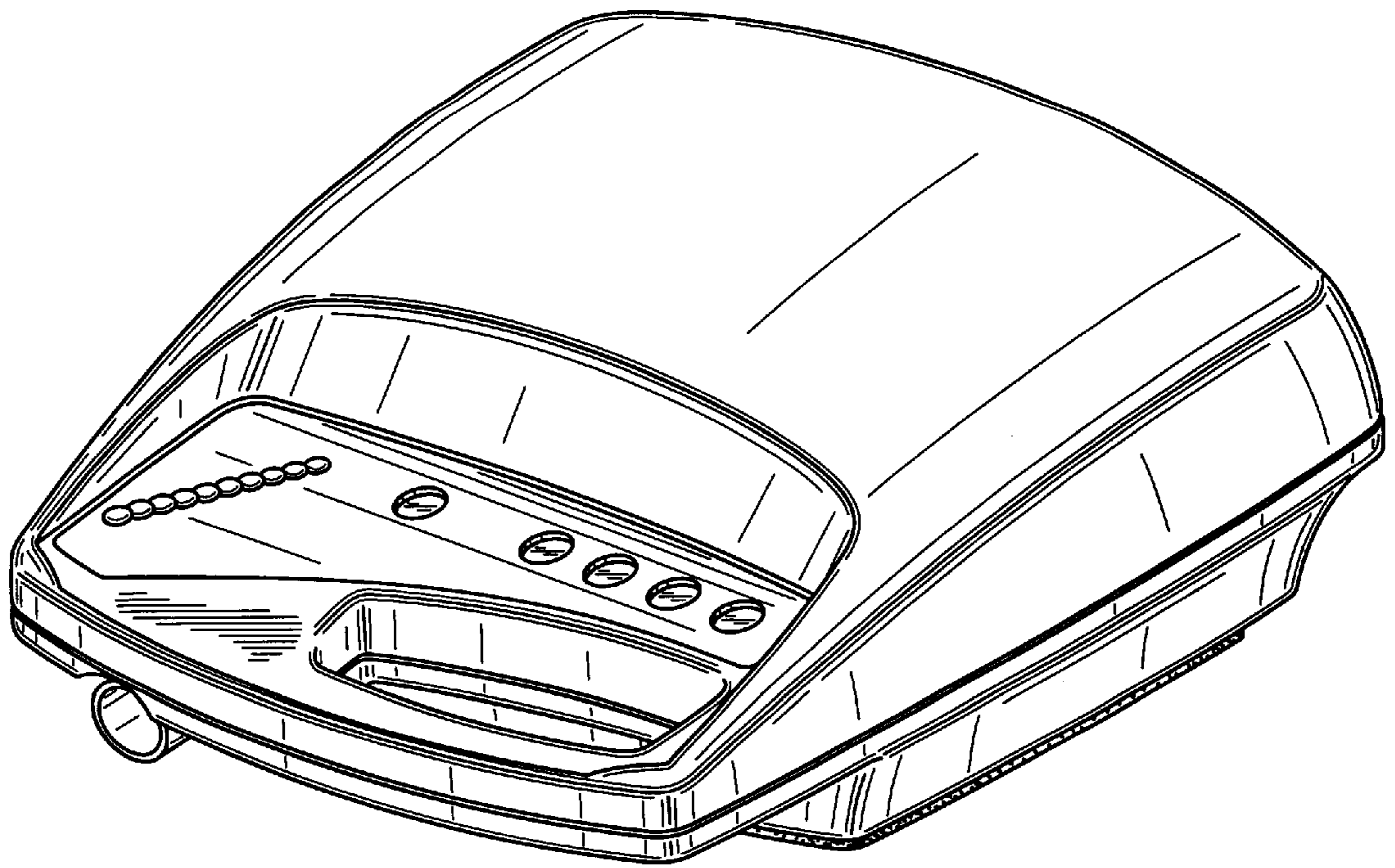


FIG. 3

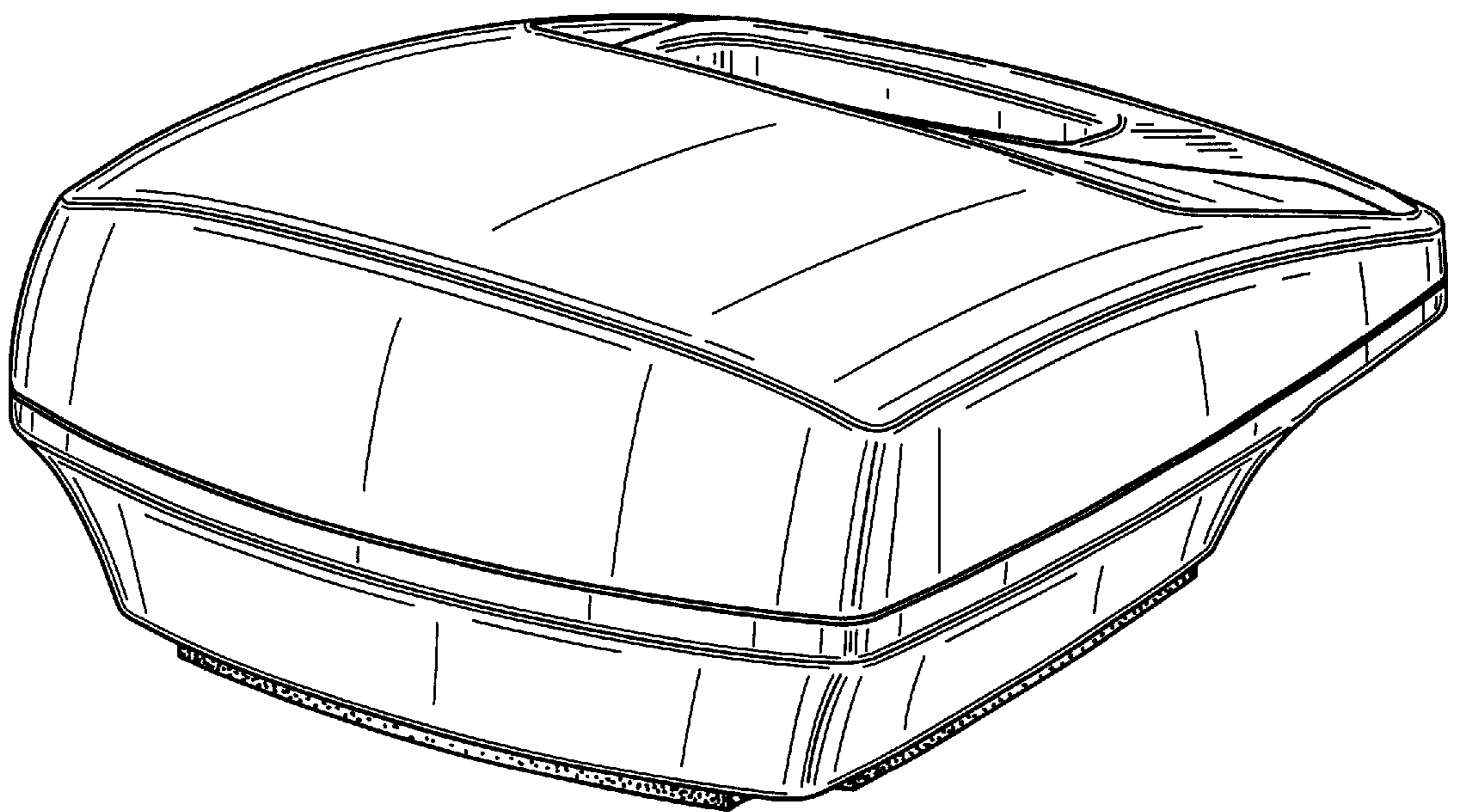


FIG. 4

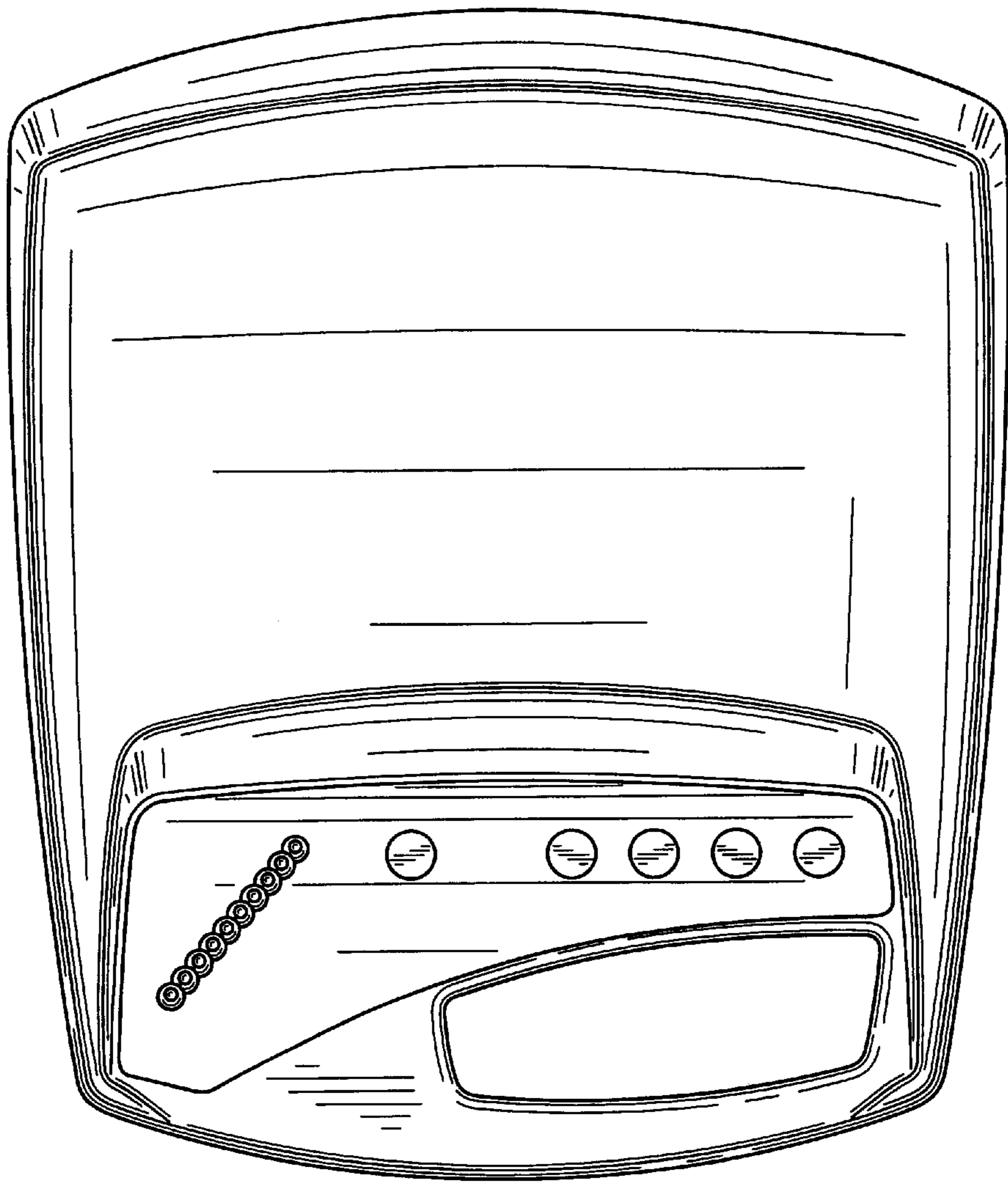


FIG. 5

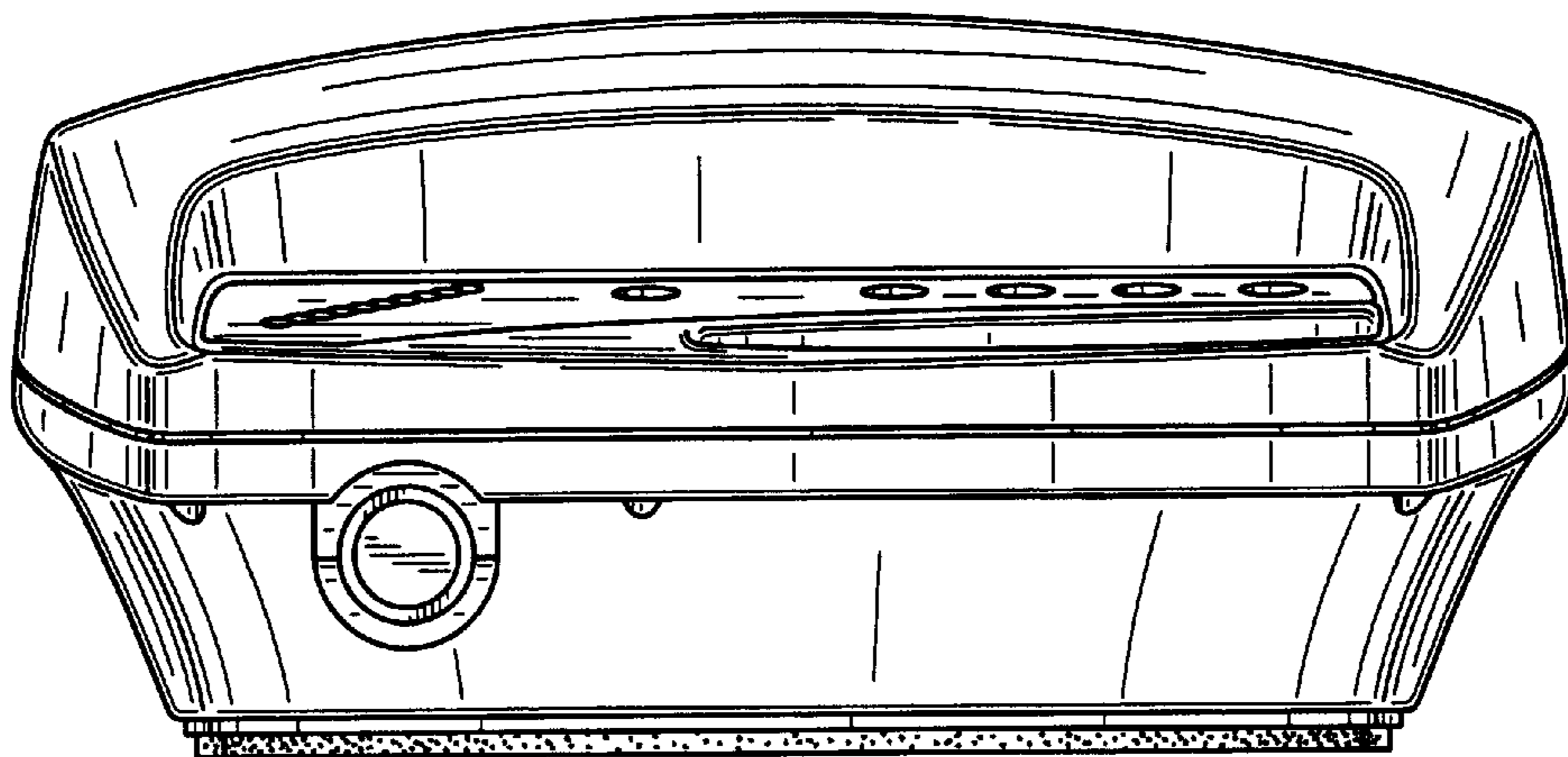


FIG. 6

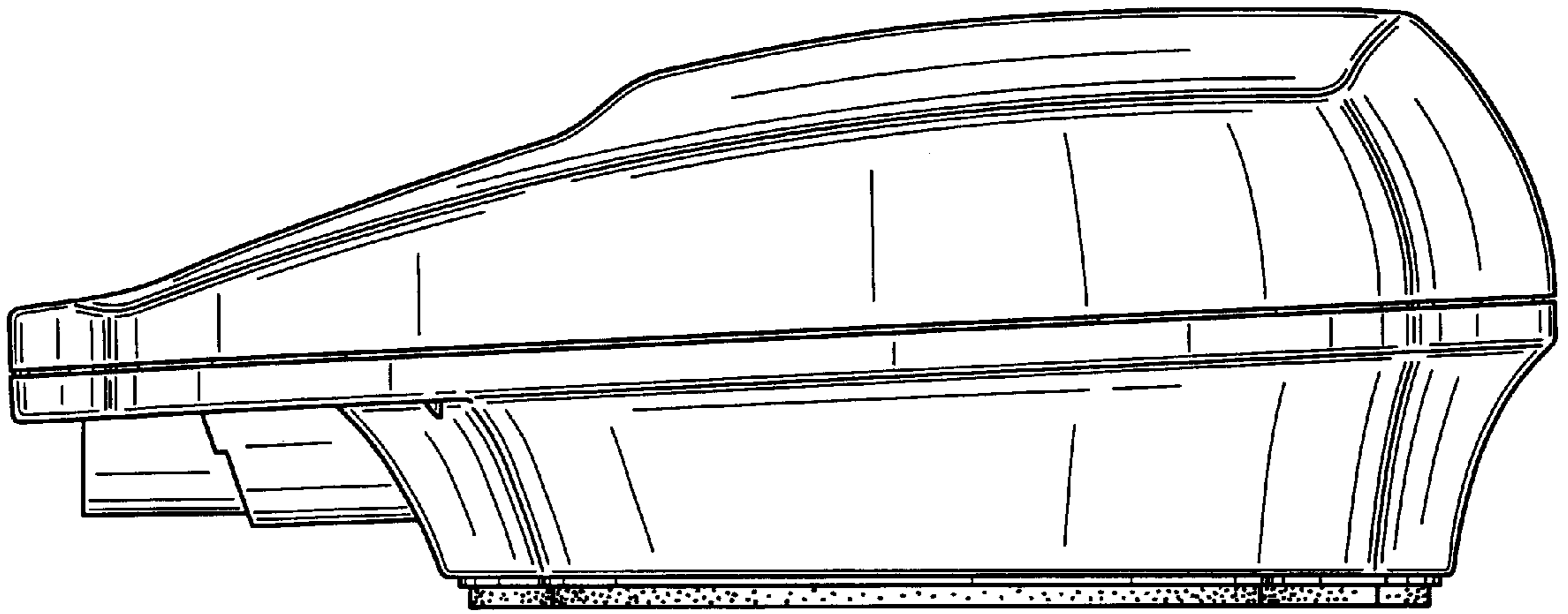


FIG. 7

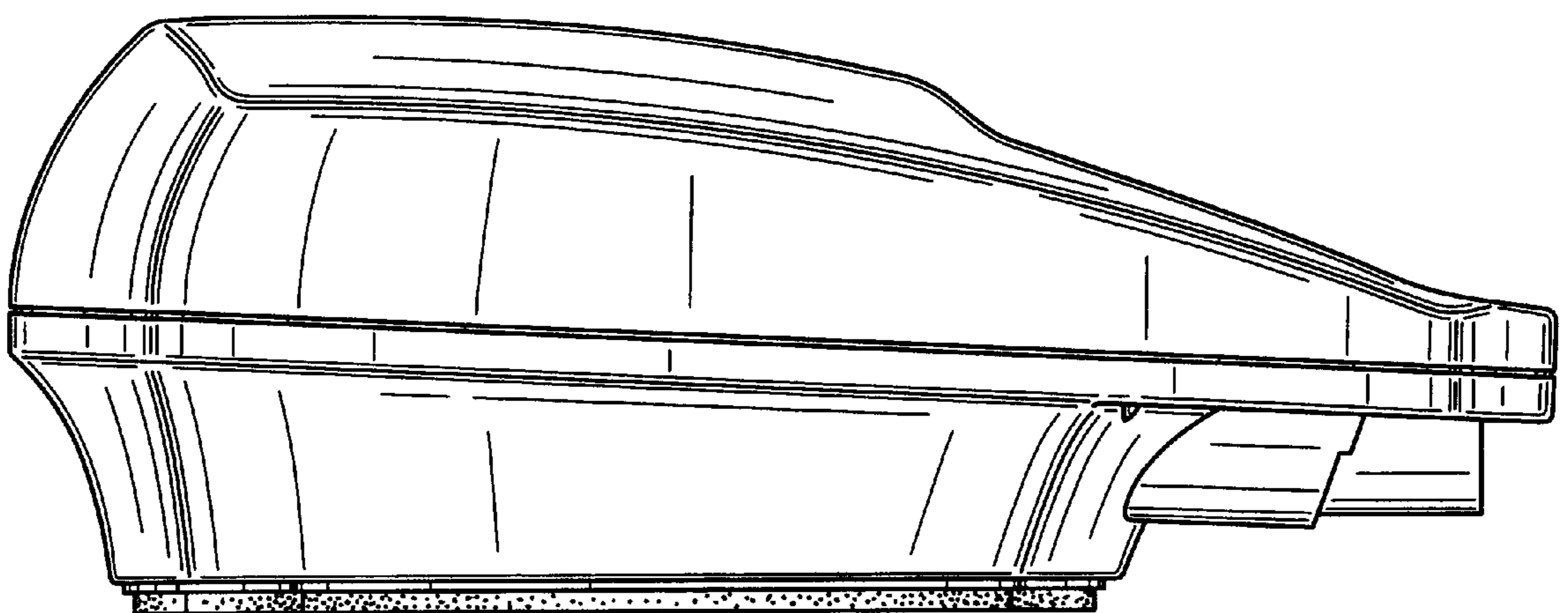


FIG. 8

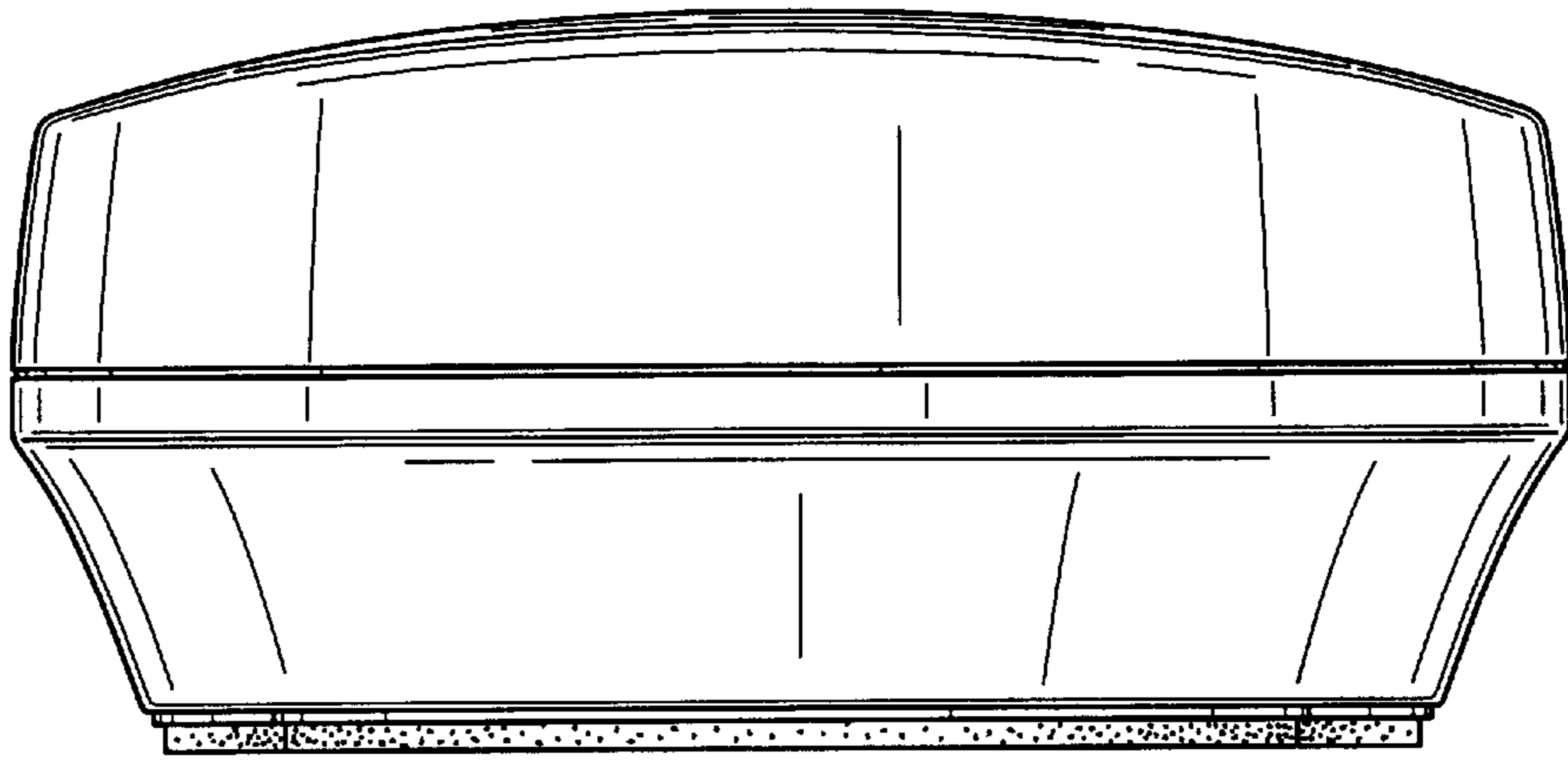


FIG. 9

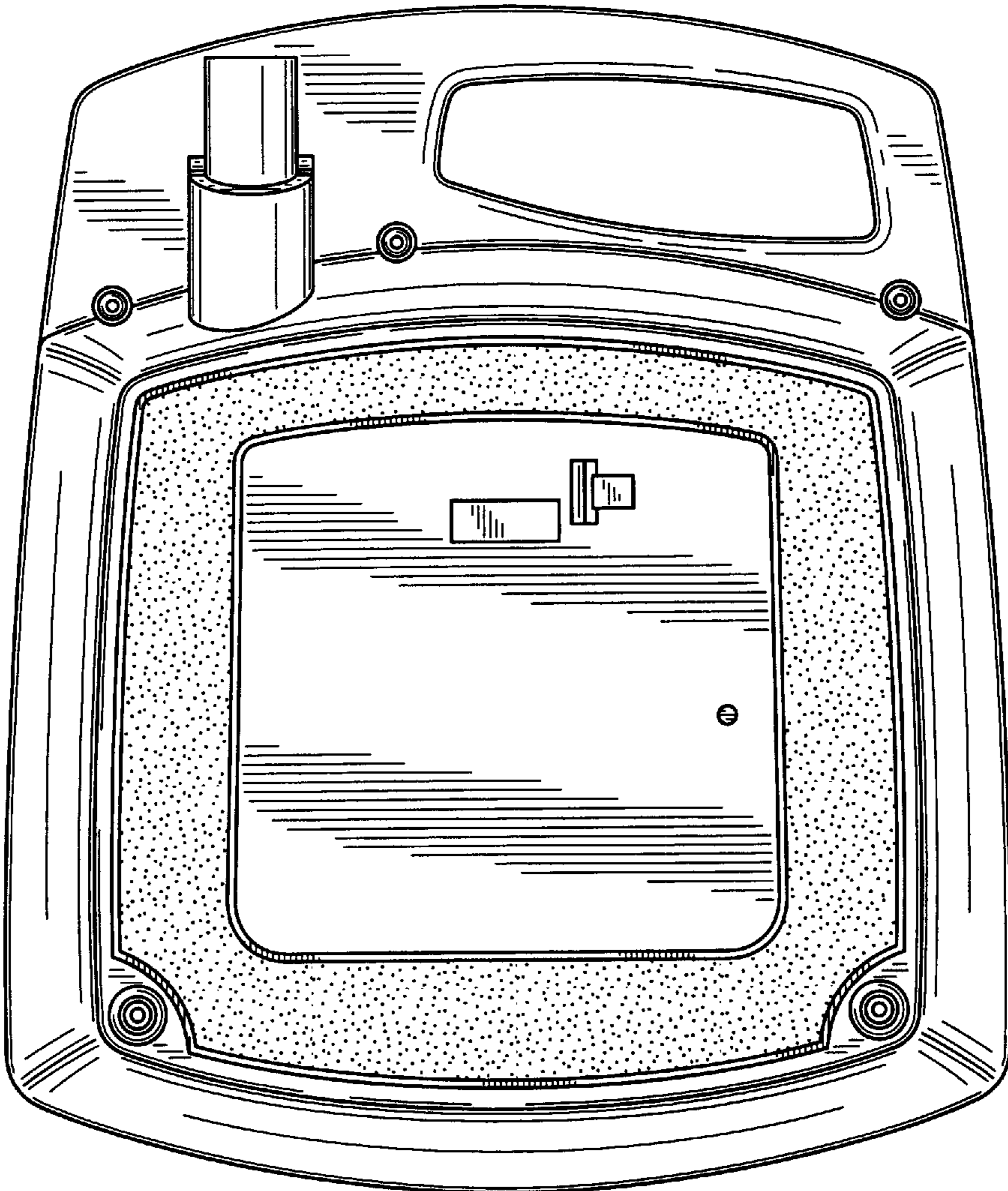


FIG. 10

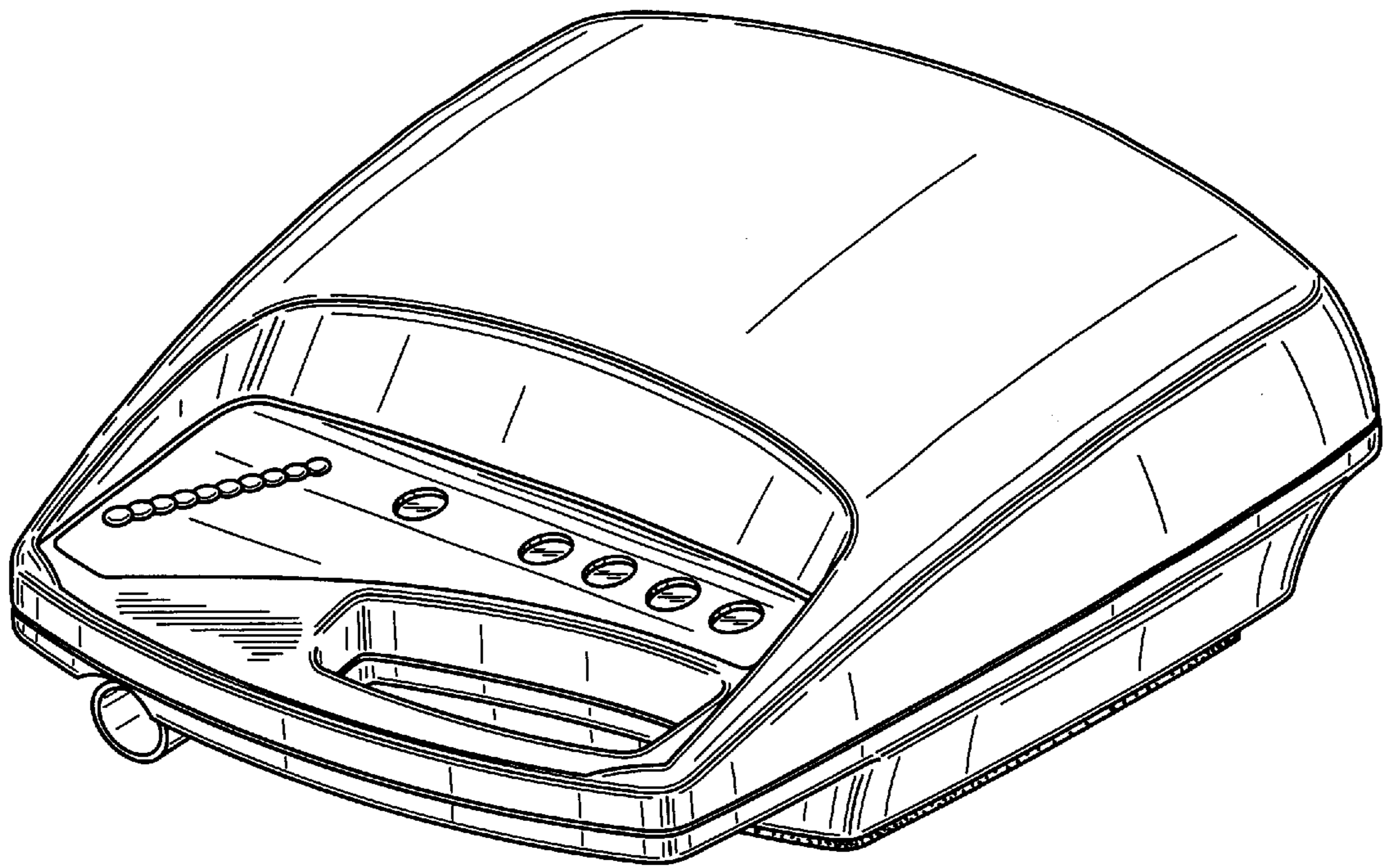


FIG. 11

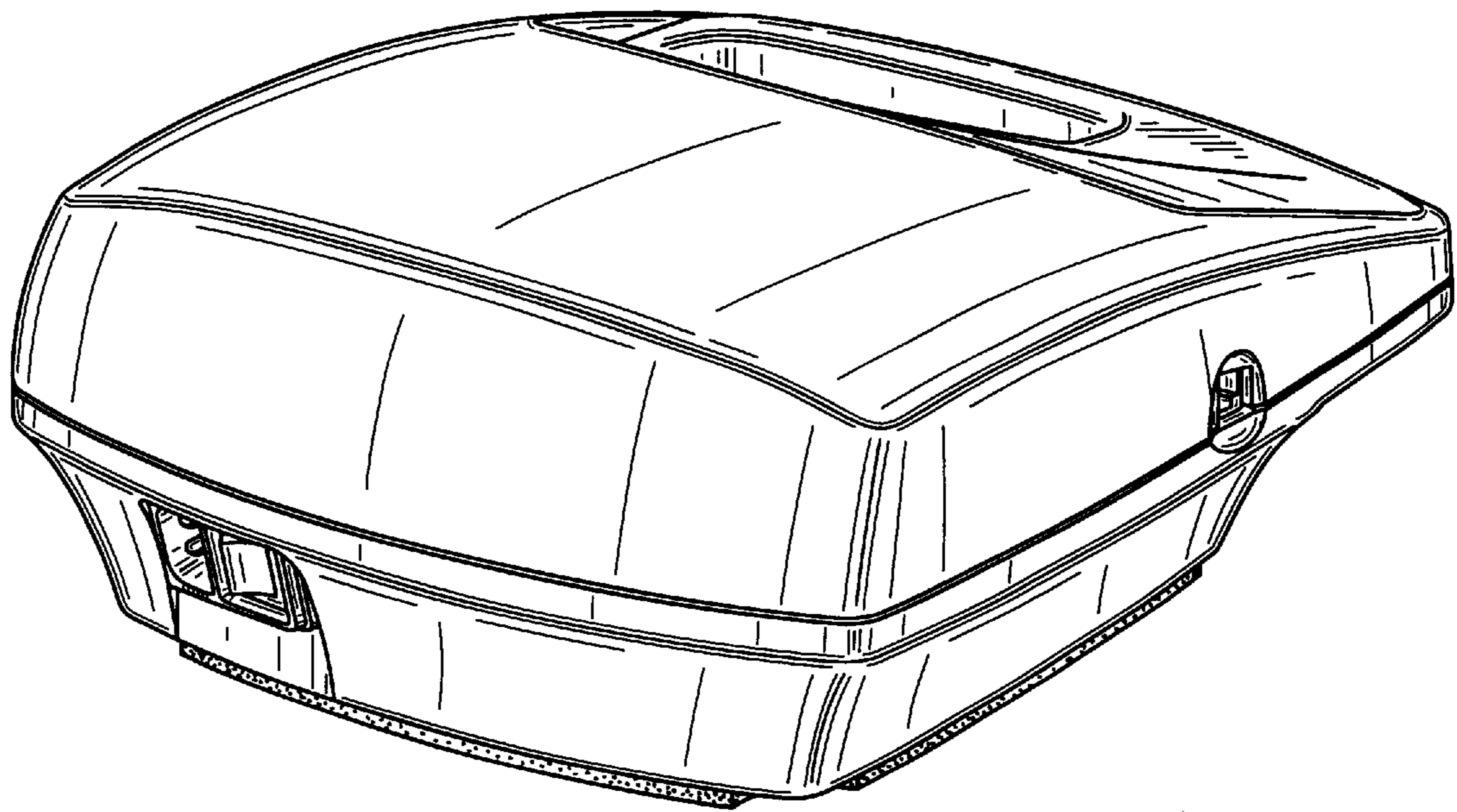


FIG. 12

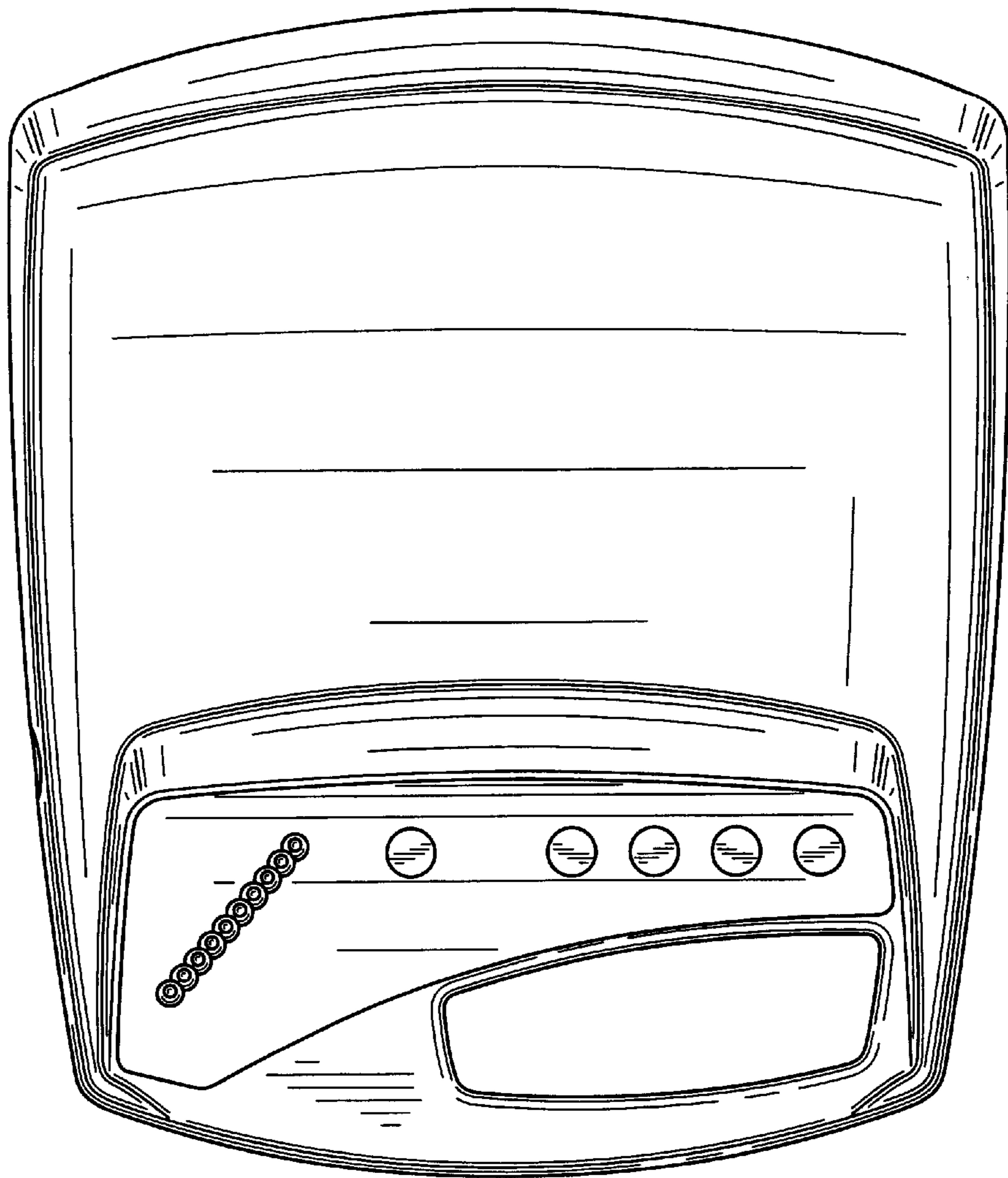


FIG. 13

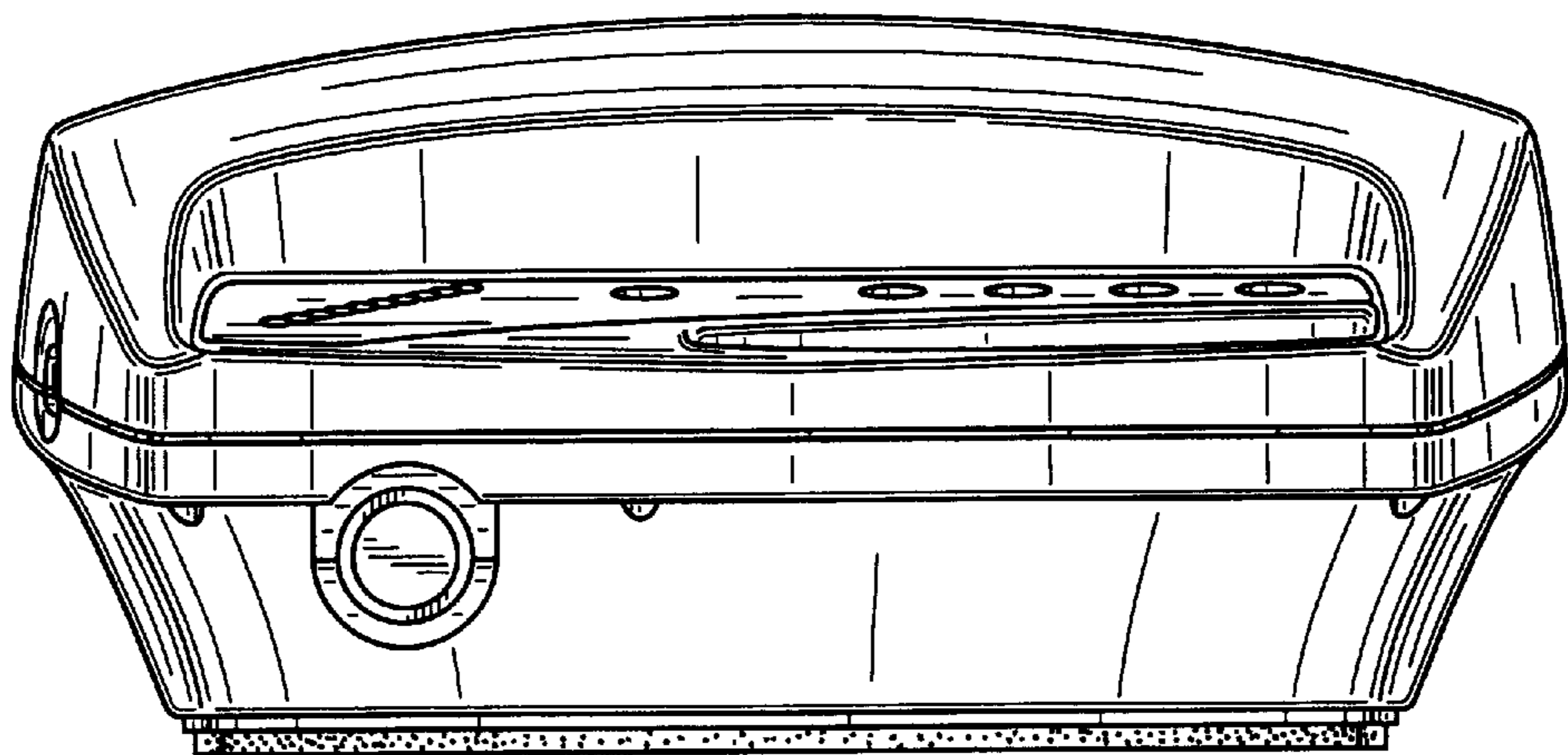


FIG. 14

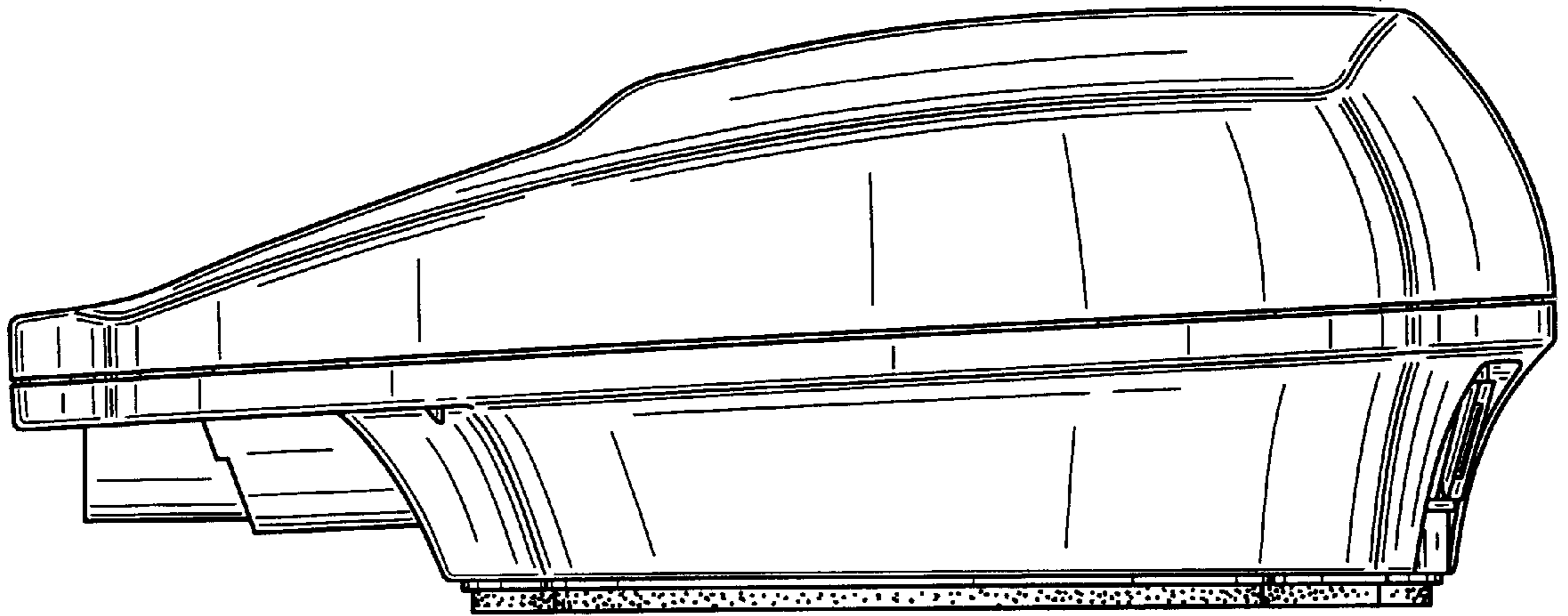


FIG. 15

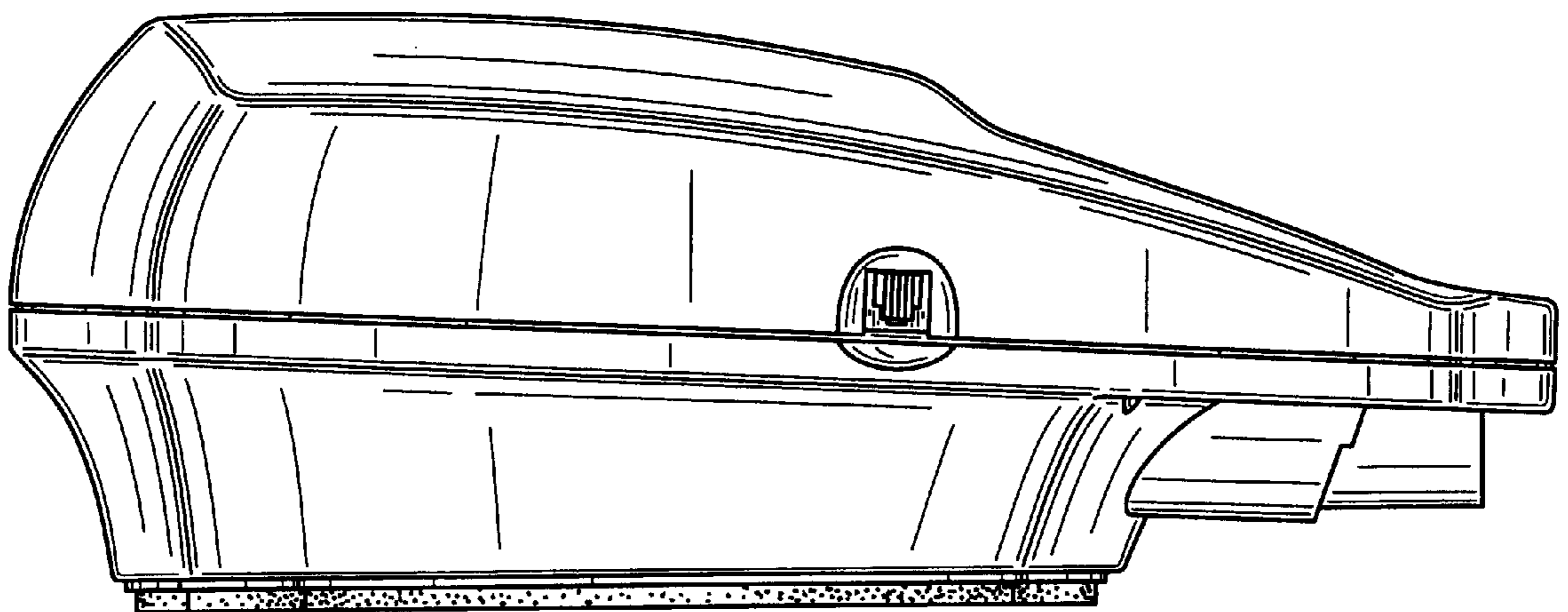


FIG. 16

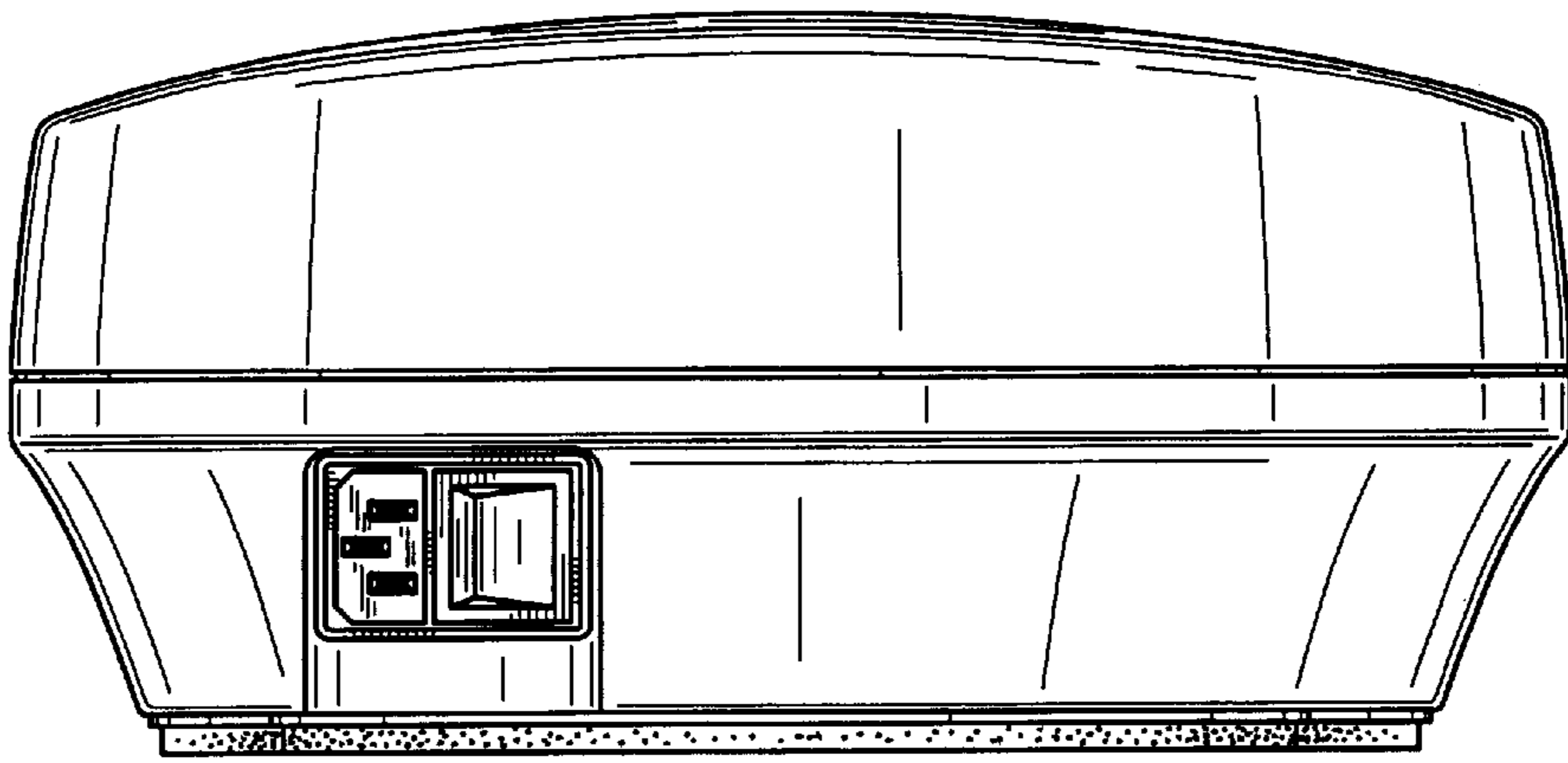


FIG. 17

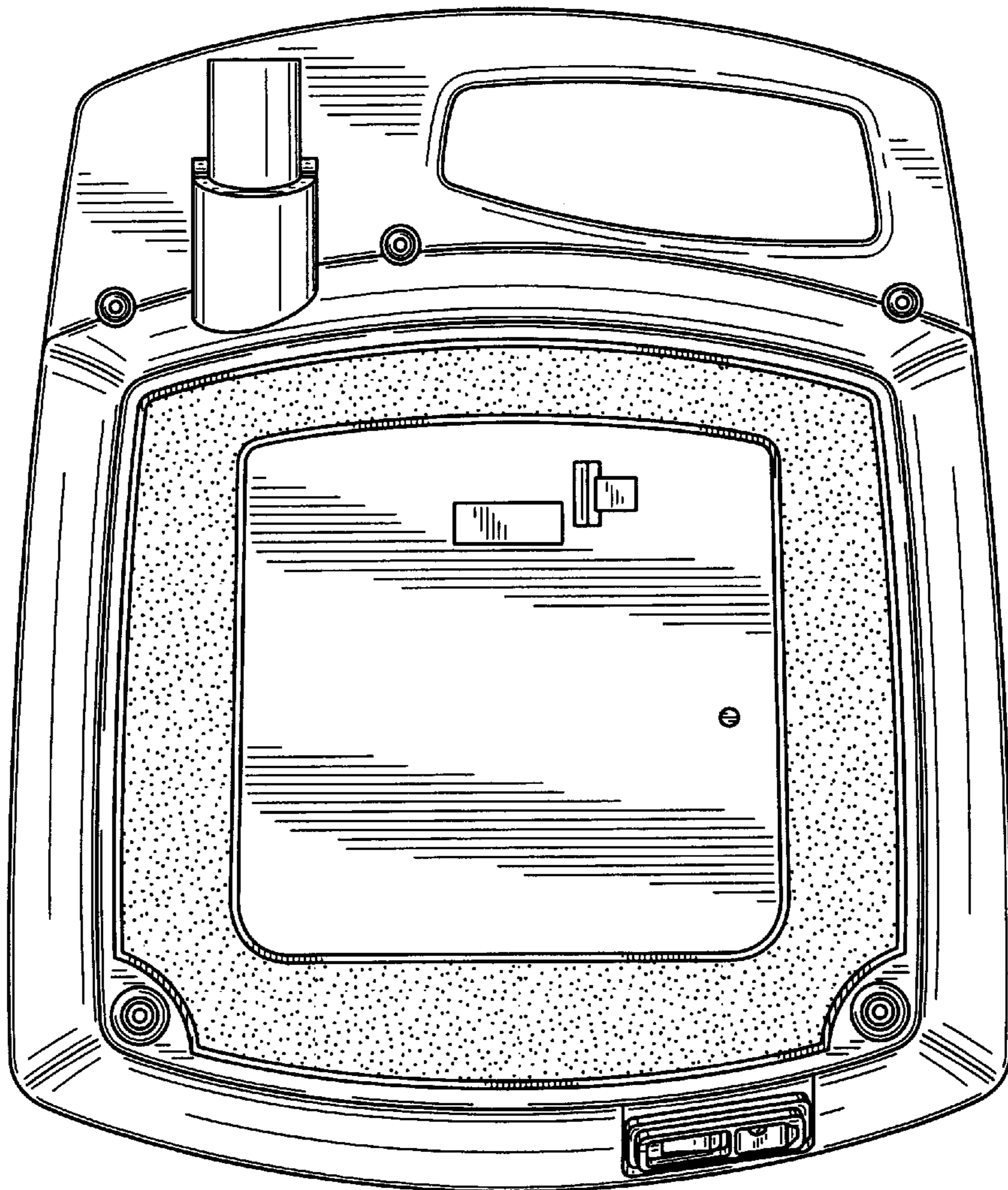


FIG. 18