



US00D464722S

(12) **United States Design Patent**
Sonneman

(10) **Patent No.:** **US D464,722 S**

(45) **Date of Patent:** **** Oct. 22, 2002**

(54) **COMBINATION CEILING FAN AND LIGHT FIXTURE**

U.S. patent application Ser. No. 29/151,479, filed Dec. 4, 2001, Robert Sonneman.

(75) Inventor: **Robert Sonneman**, Mamaronezk, NY (US)

* cited by examiner

Primary Examiner—Lisa Lichtenstein

(73) Assignee: **Sonneman Design Group, Inc.**, Mamaronezk, NY (US)

(74) *Attorney, Agent, or Firm*—Jenkins & Gilchrist, P.C.

(**) Term: **14 Years**

(57) **CLAIM**

The ornamental design for a combination ceiling fan and light fixture, as shown and described.

(21) Appl. No.: **29/151,481**

DESCRIPTION

(22) Filed: **Dec. 4, 2001**

(51) **LOC (7) Cl.** **23-04**

(52) **U.S. Cl.** **D23/377**

(58) **Field of Search** D23/377, 379, D23/385, 411, 413; 416/5; D26/59, 71, 81-86

FIG. 1 is a top view of the combination ceiling fan and light fixture in accordance with my design;

FIG. 2 is a front elevation view of the combination ceiling fan and light fixture in accordance with my design;

FIG. 3 is a bottom view of the combination ceiling fan and light fixture in accordance with my design; and,

FIG. 4 is a side elevation view of the combination ceiling fan and light fixture in accordance with my design.

The front and rear elevational views are substantially identical except for the positioning of the blades.

The left and right side elevational views are substantially identical except for the positioning of the blades.

The broken lines showing environmental structures are for illustrative purposes only and form no part of the claimed design.

The support rod has been shown broken away to indicate indeterminate length.

(56) **References Cited**

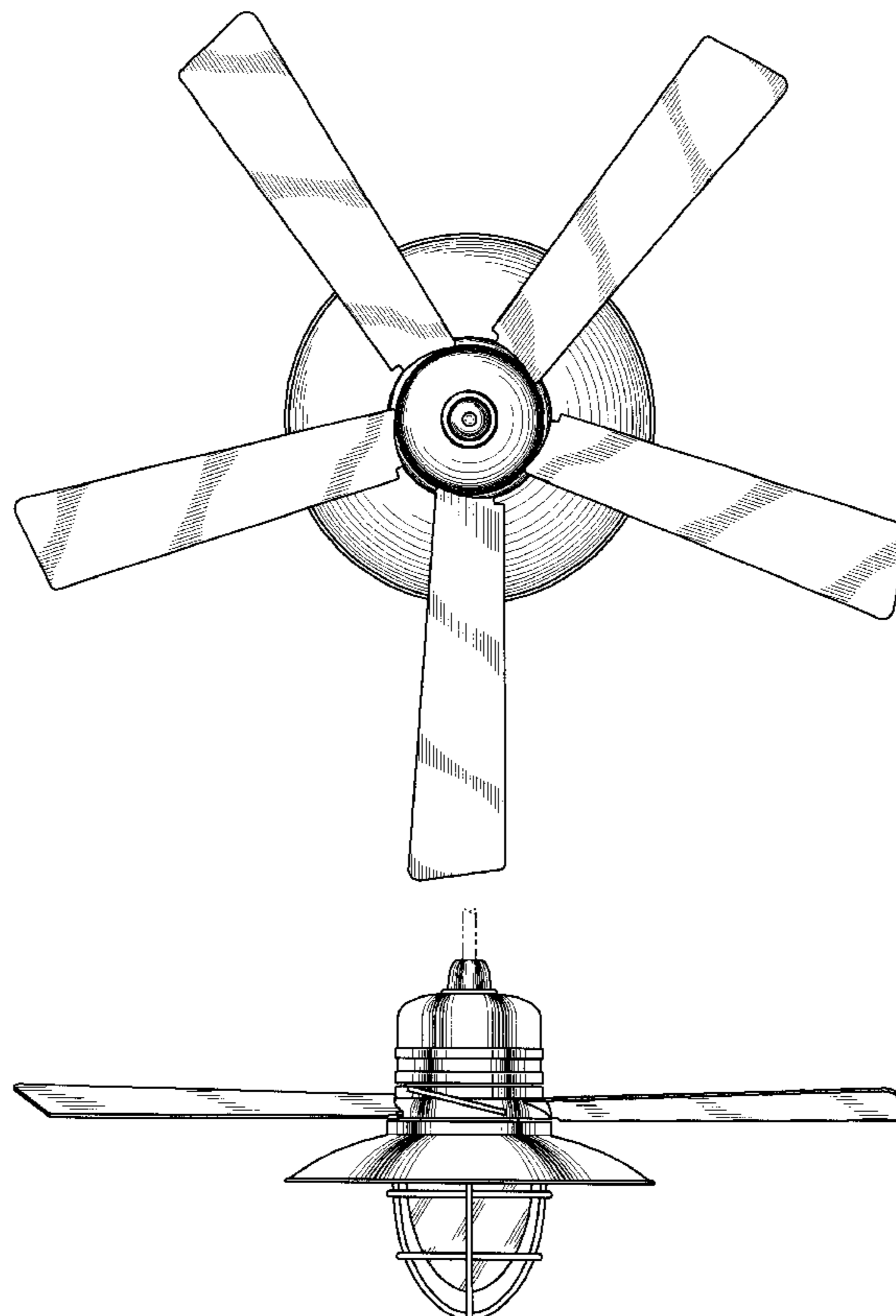
U.S. PATENT DOCUMENTS

D349,336 S	*	8/1994	Tsuji	D23/377
D425,610 S	*	5/2000	Gee, II	D23/377
D448,840 S	*	10/2001	Gajewski	D23/377
D449,682 S	*	10/2001	Gajewski	D23/411

OTHER PUBLICATIONS

U.S. patent application Ser. No. 29/151,480, filed Dec. 4, 2001, Robert Sonneman.

1 Claim, 2 Drawing Sheets



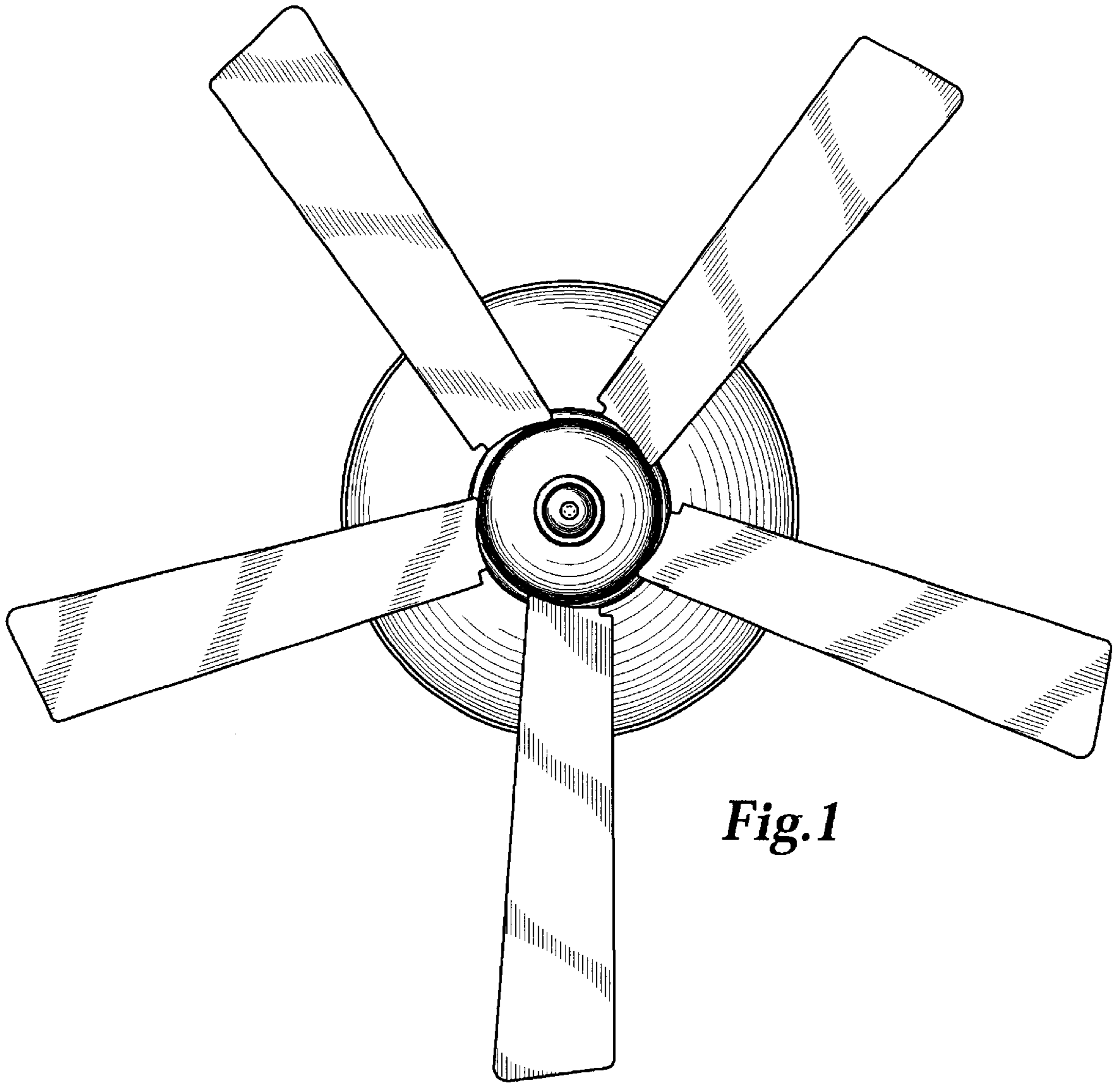


Fig.1

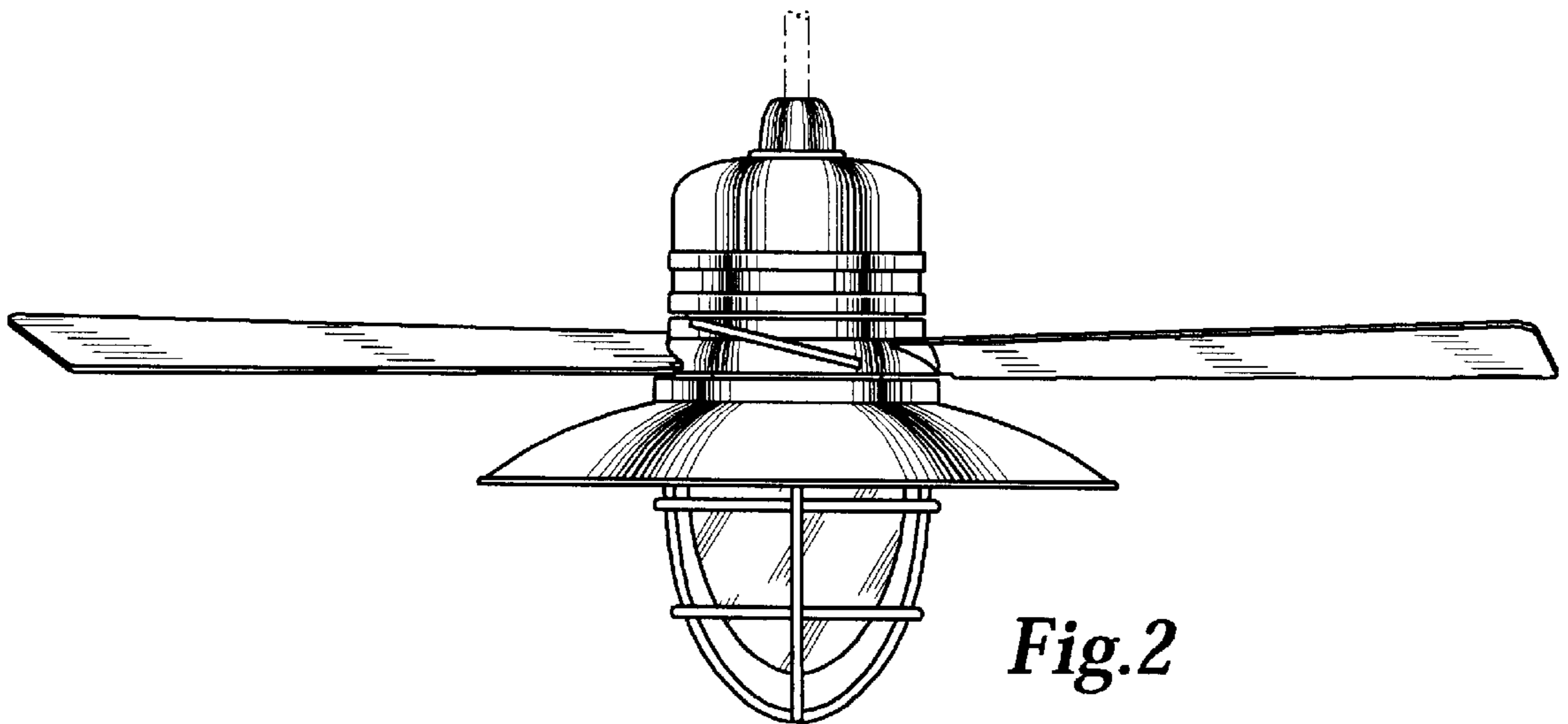


Fig.2

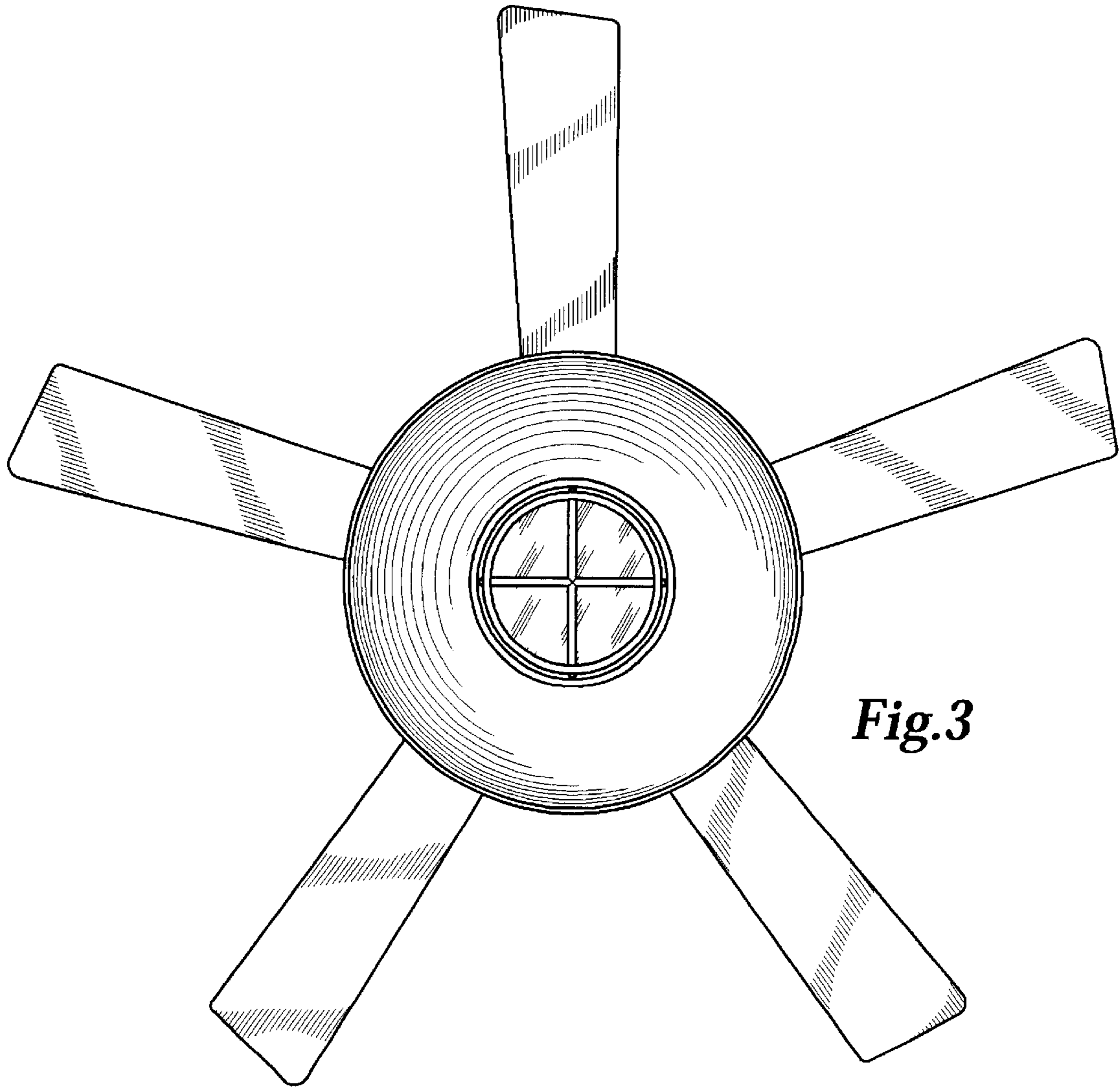


Fig.3

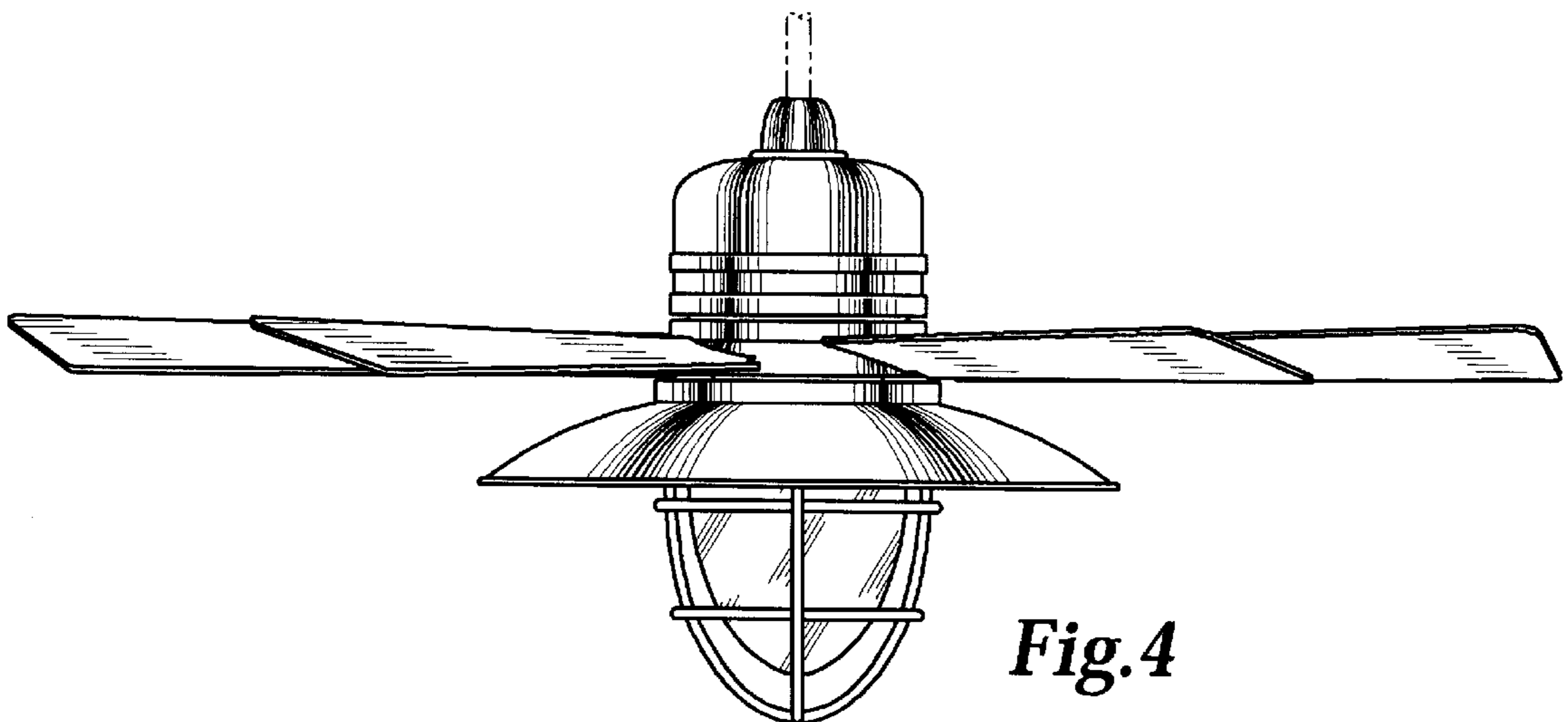


Fig.4