



US00D464720S

(12) **United States Design Patent**  
**Lohkamp**

(10) **Patent No.:** **US D464,720 S**

(45) **Date of Patent:** **\*\* Oct. 22, 2002**

(54) **FLANGED ROTARY ATOMIZER**

(75) Inventor: **Mark R. Lohkamp**, Rochester, NY (US)

(73) Assignee: **Wilevco, Inc.**, Billerica, MA (US)

(\*\*) Term: **14 Years**

(21) Appl. No.: **29/141,671**

(22) Filed: **May 10, 2001**

(51) **LOC (7) Cl.** ..... **23-04**

(52) **U.S. Cl.** ..... **D23/355**

(58) **Field of Search** ..... D23/355, 362;  
99/345, 347; 261/78.2

Arcall Brochure, "Arcall Trunking," (see www.arcall.co.uk>).

Information downloaded from Arcall website (<see www.arcall.co.uk>).

Information downloaded from Fedco website (<see www.fedcosystems.com>).

Lefebvre, Arthur H., "Atomization & Sprays," Taylor & Francis, Ch. 4, p. 127-136, (1989).

Lefebvre, Arthur H., "Atomization & Sprays," Taylor & Francis, Ch. 5, p. 189-193, (1989).

Lefebvre, Arthur H., "Atomization & Sprays," Taylor & Francis, Ch. 1, p. 125, (1989).

Lefebvre, Arthur H., "Atomization & Sprays," Taylor & Francis, Ch. 6, p. 222-228, (1989).

*Primary Examiner*—Lisa Lichtenstein

(74) *Attorney, Agent, or Firm*—Mark P. White

(56) **References Cited**

**U.S. PATENT DOCUMENTS**

3,961,755 A	6/1976	Morine et al.
4,018,367 A	4/1977	Morine et al.
4,043,294 A	8/1977	Morine et al.
4,058,083 A	11/1977	Miller
5,478,583 A	12/1995	Jarrett et al.
5,575,848 A	11/1996	Chedville
5,865,890 A	2/1999	Makujina

**OTHER PUBLICATIONS**

Arcall Brochure, "Arcall CMF Coating Machines," (<see www.arcall.co.uk>).

Arcall Brochure, "Arcall FS: Innovative Applications Systems," (<see www.arcall.co.uk>).

Arcall Brochure, "Arcall 600i Technology; A revolution in spinning disc spray technology," (<see www.arcall.co.uk>).

Arcall Brochure, "Arcall 900 Cracker Oiler," (<see www.arcall.co.uk>).

(57) **CLAIM**

The ornamental design for a flanged rotary atomizer, as shown and described.

**DESCRIPTION**

FIG. 1 is a perspective view of a of a flanged rotary atomizer showing my new design;

FIG. 2 shows a top plan view of the flanged rotary atomizer shown in FIG. 1, the bottom plan view being identical thereto;

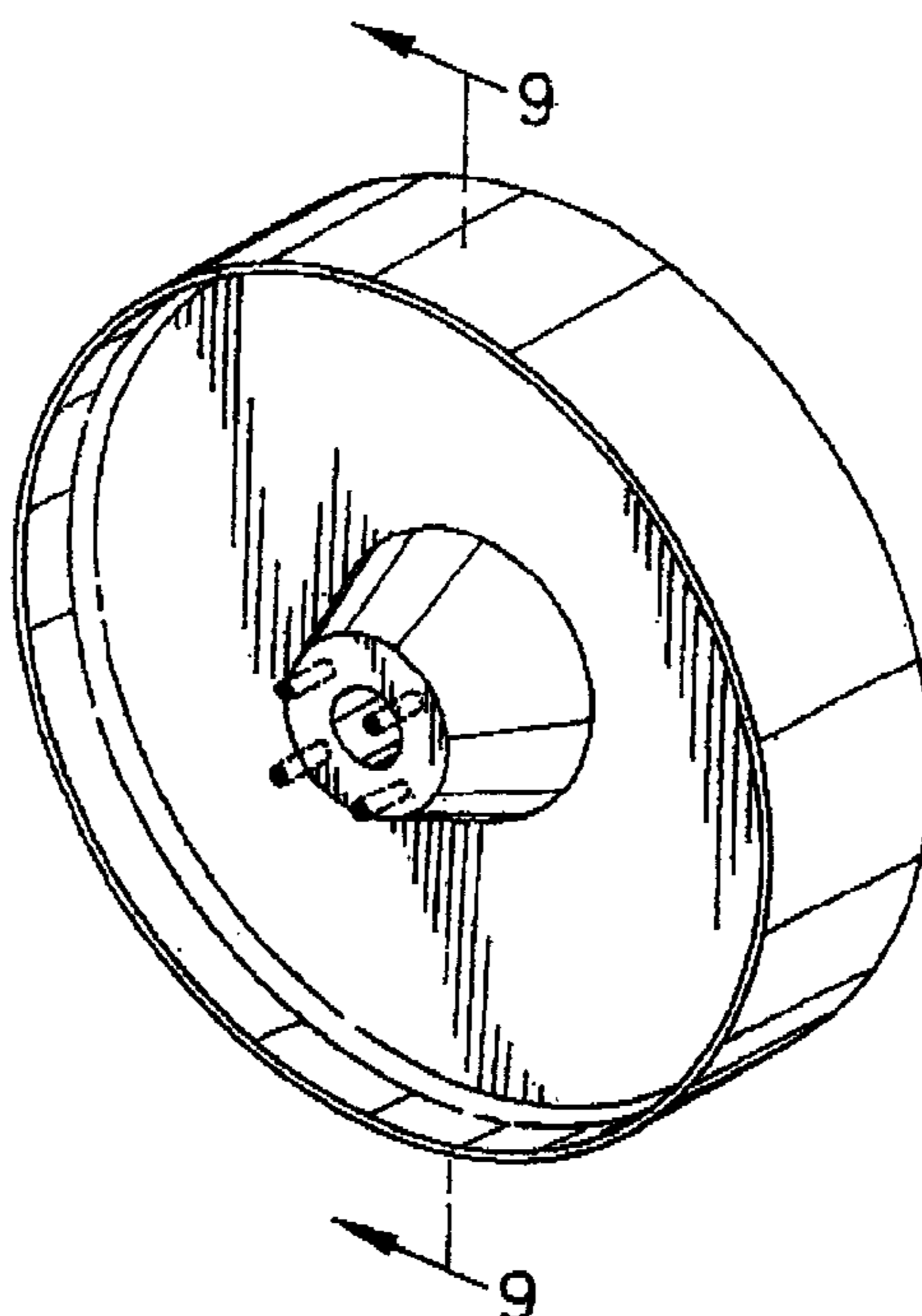
FIG. 3 shows a left elevational view thereof;

FIG. 4 shows a right elevational view thereof; and,

FIG. 5 shows an exploded perspective view of the flanged rotary atomizer of FIG. 1 in sequential arrangement with additional rotary atomizers and with an accessory.

The portions shown in broken lines are included for illustrative purposes only and form no part of the claimed design.

**1 Claim, 3 Drawing Sheets**



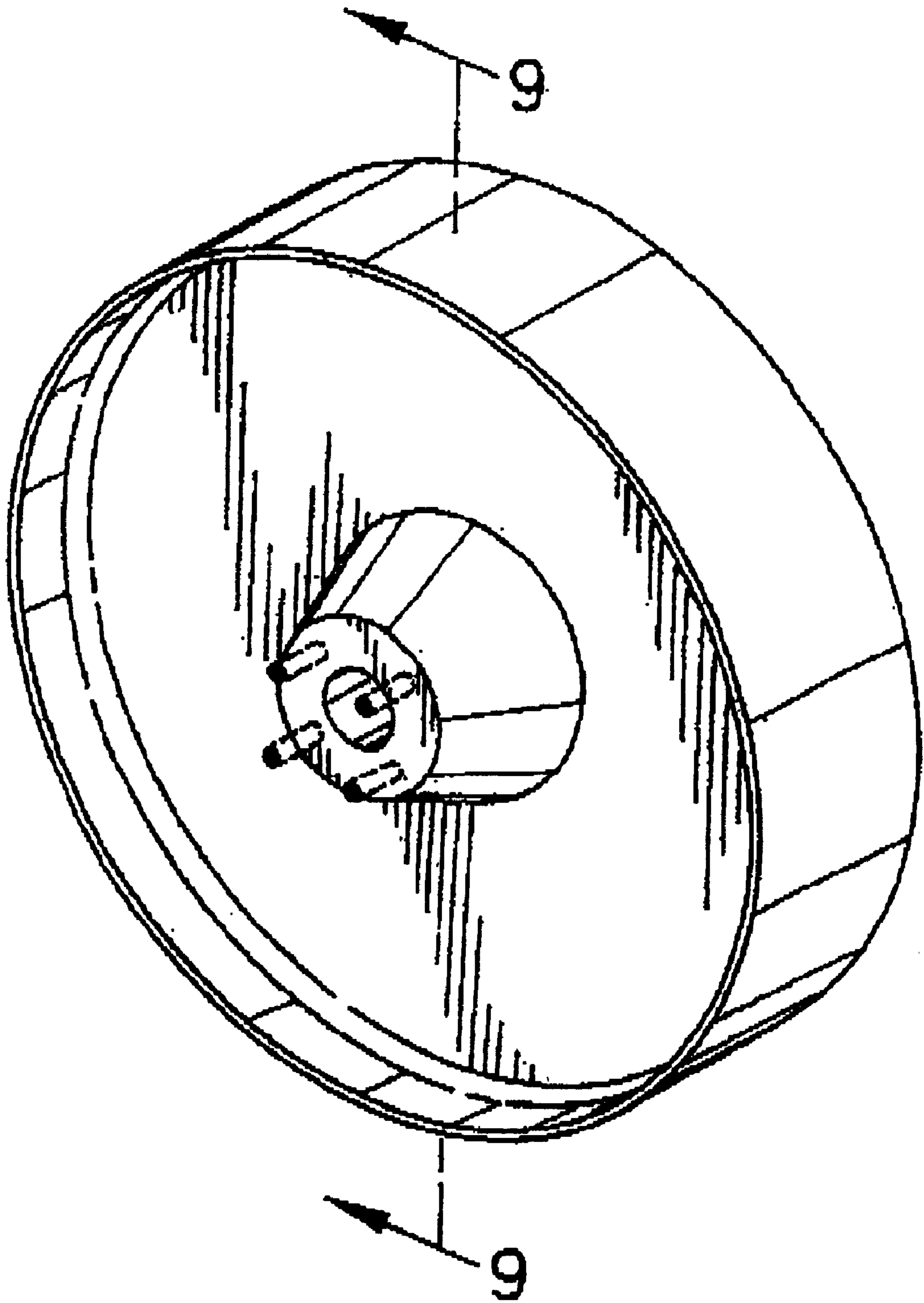


Fig. 1

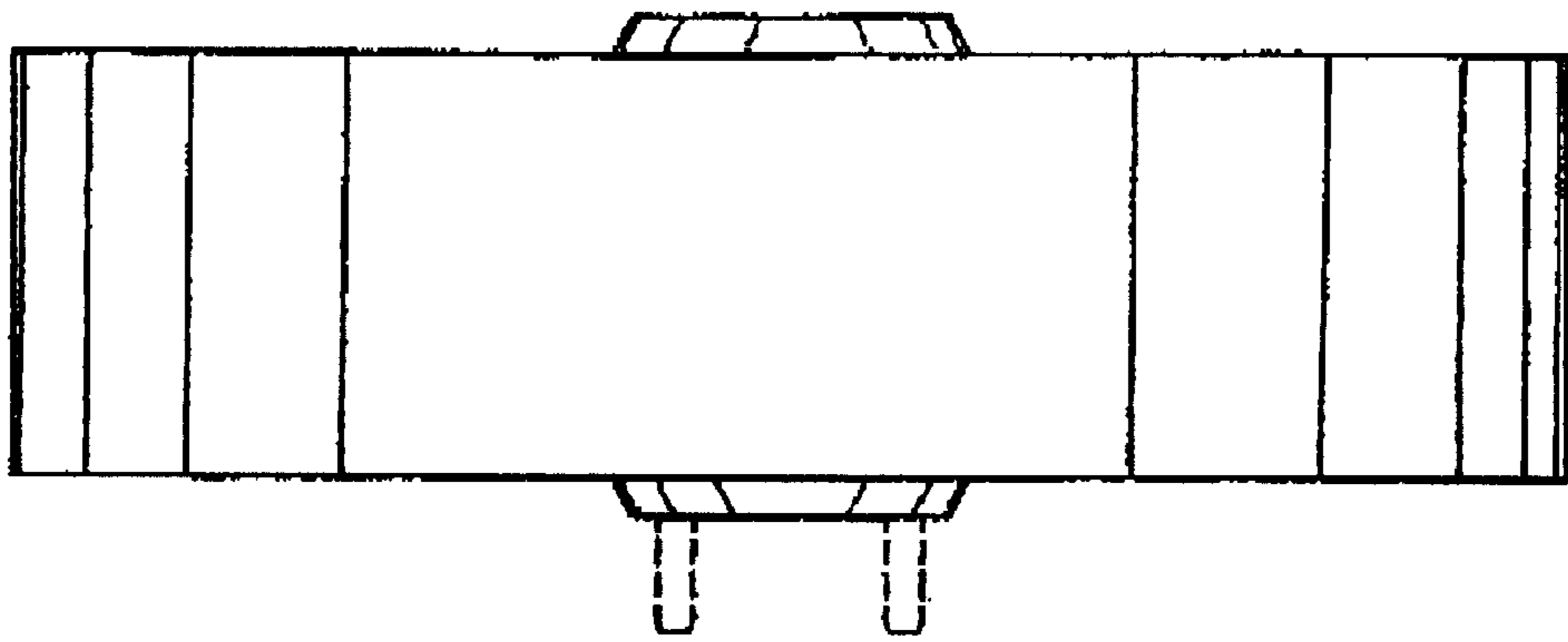


Fig. 2

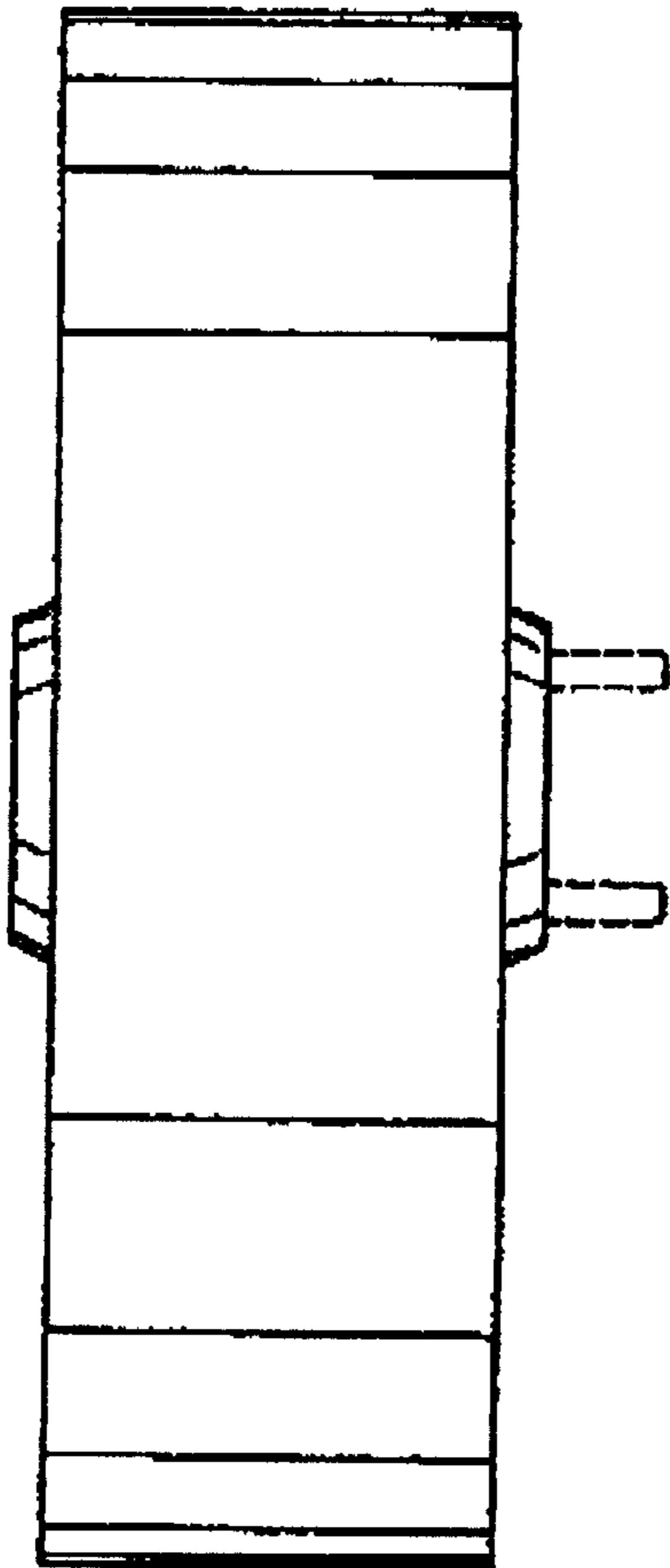


Fig. 3

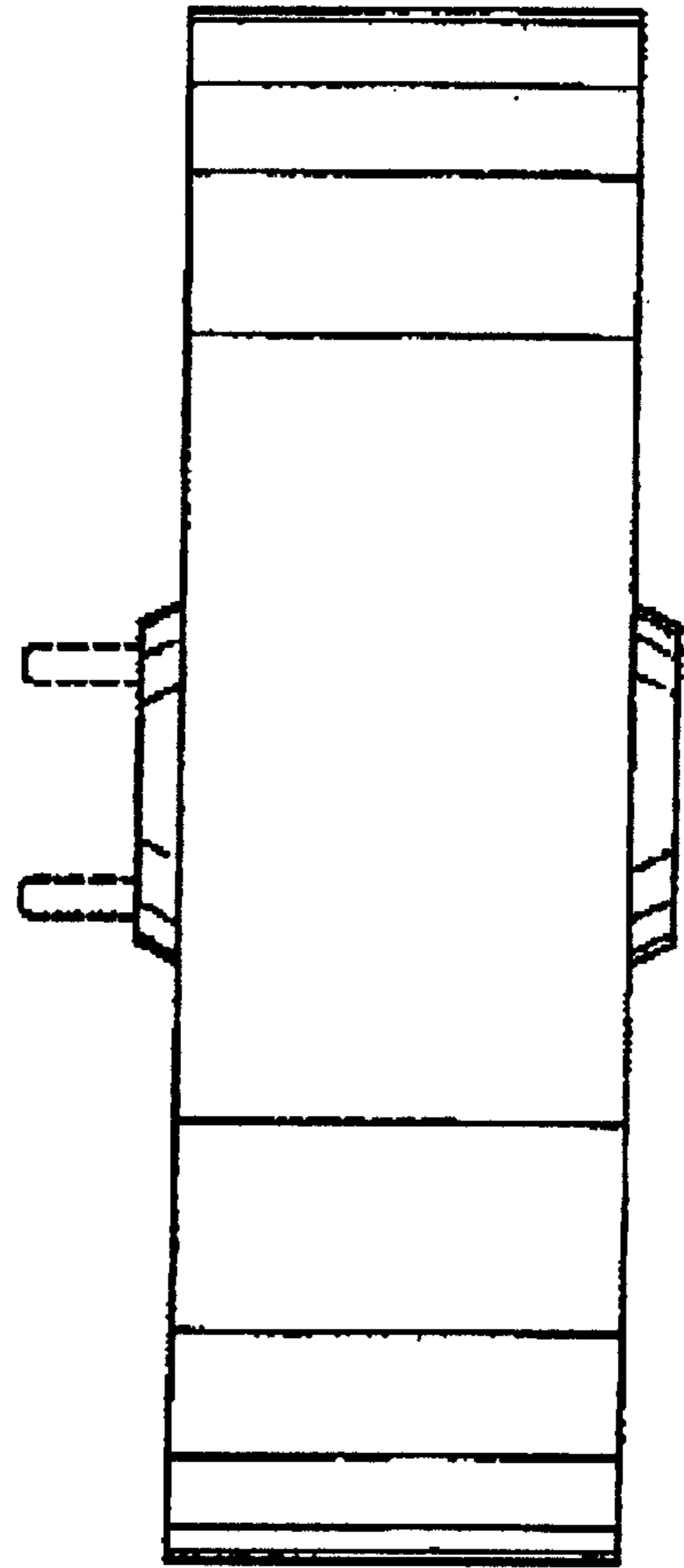


Fig. 4

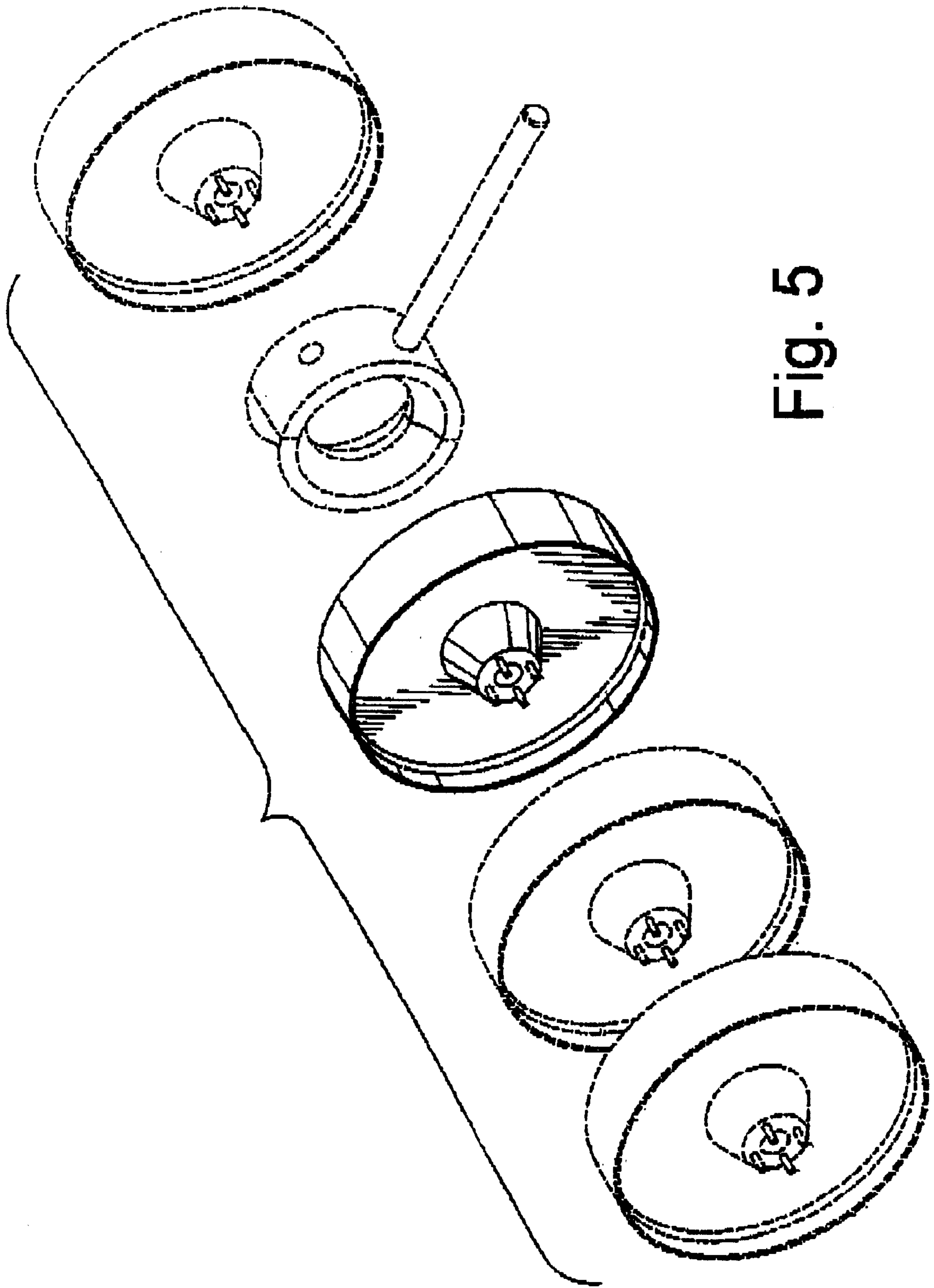


Fig. 5