



US00D464715S

(12) **United States Design Patent**
Zarker

(10) **Patent No.:** **US D464,715 S**

(45) **Date of Patent:** **** Oct. 22, 2002**

- (54) **SINK**
- (75) Inventor: **Harper F. Zarker**, Vincenttown, NJ (US)
- (73) Assignee: **American Shower and Bath Corp.**, Moroestown, NJ (US)
- (**) Term: **14 Years**
- (21) Appl. No.: **29/148,317**
- (22) Filed: **Sep. 18, 2001**
- (51) **LOC (7) Cl.** **23-02**
- (52) **U.S. Cl.** **D23/284**
- (58) **Field of Search** D23/271, 273, D23/284-287, 289-292, 293.1, 303, 308; 4/619-620, 624-628, 630-635, 637-643, 647-652, 656-657, 660-661, 515-517

- 4,720,879 A * 1/1988 Rabban 4/619
- 5,715,547 A * 2/1998 Becker et al. 4/619
- D393,057 S * 3/1998 Gardner et al. D23/284

* cited by examiner

Primary Examiner—Louis S. Zarfaz
Assistant Examiner—Robert A. Delehanty
(74) *Attorney, Agent, or Firm*—Edgar A. Zaring; Lloyd D. Doigan

(57) **CLAIM**

The ornamental design for a sink, as shown and described.

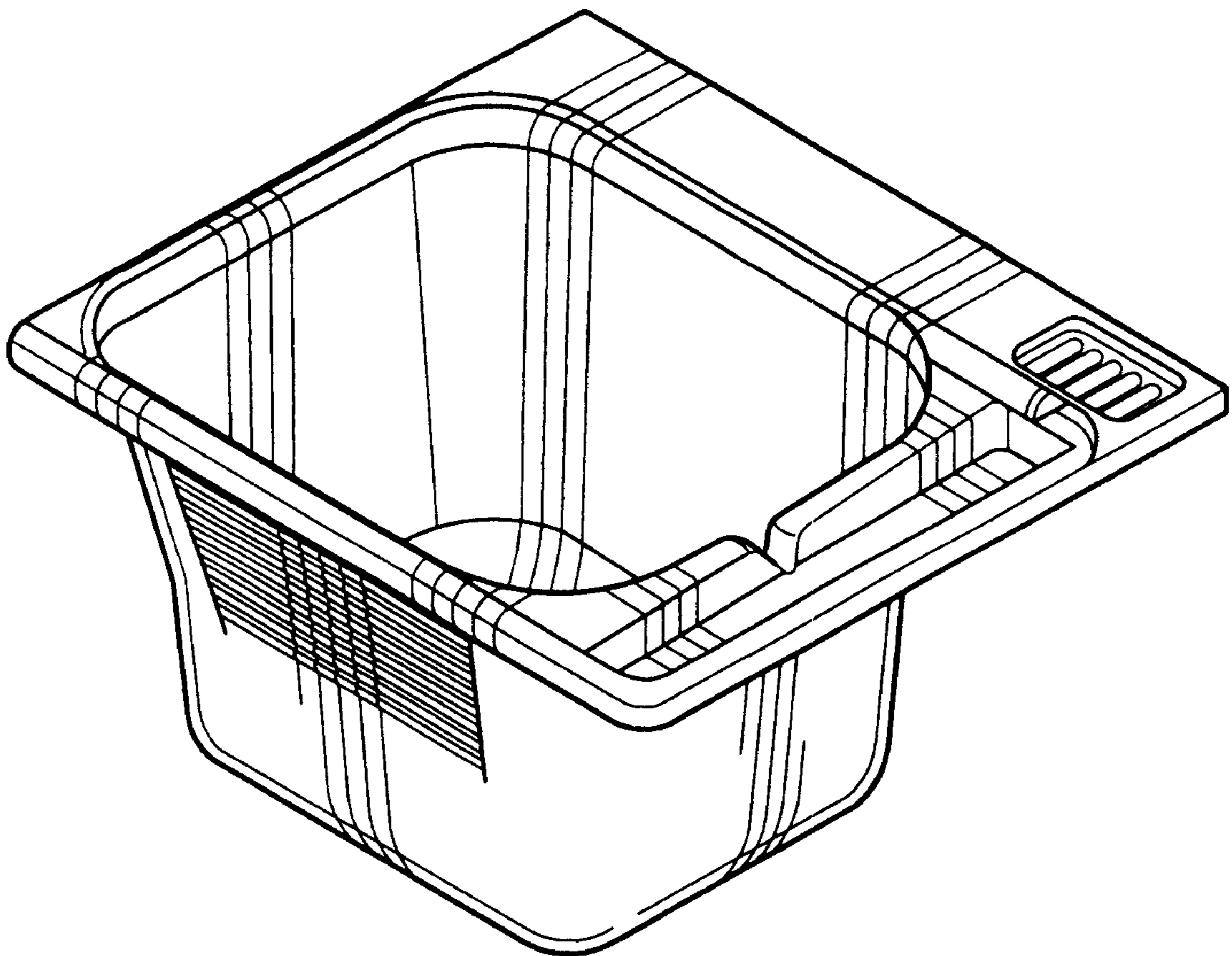
DESCRIPTION

FIG. 1 is a perspective view of a sink showing my new design;
FIG. 2 is a front elevational view thereof;
FIG. 3 is a left side view thereof;
FIG. 4 is a rear elevational view thereof;
FIG. 5 is a right side view thereof;
FIG. 6 is a top plan view thereof;
FIG. 7 is a bottom plan view thereof; and,
FIG. 8 is a top plan view of an alternative embodiment thereof.

(56) **References Cited**
U.S. PATENT DOCUMENTS

- 3,092,406 A * 6/1963 Wasserstrom 463/238
- 3,333,282 A * 8/1967 Mustee 4/640
- D230,402 S * 2/1974 Graning, Jr. D23/287

1 Claim, 3 Drawing Sheets



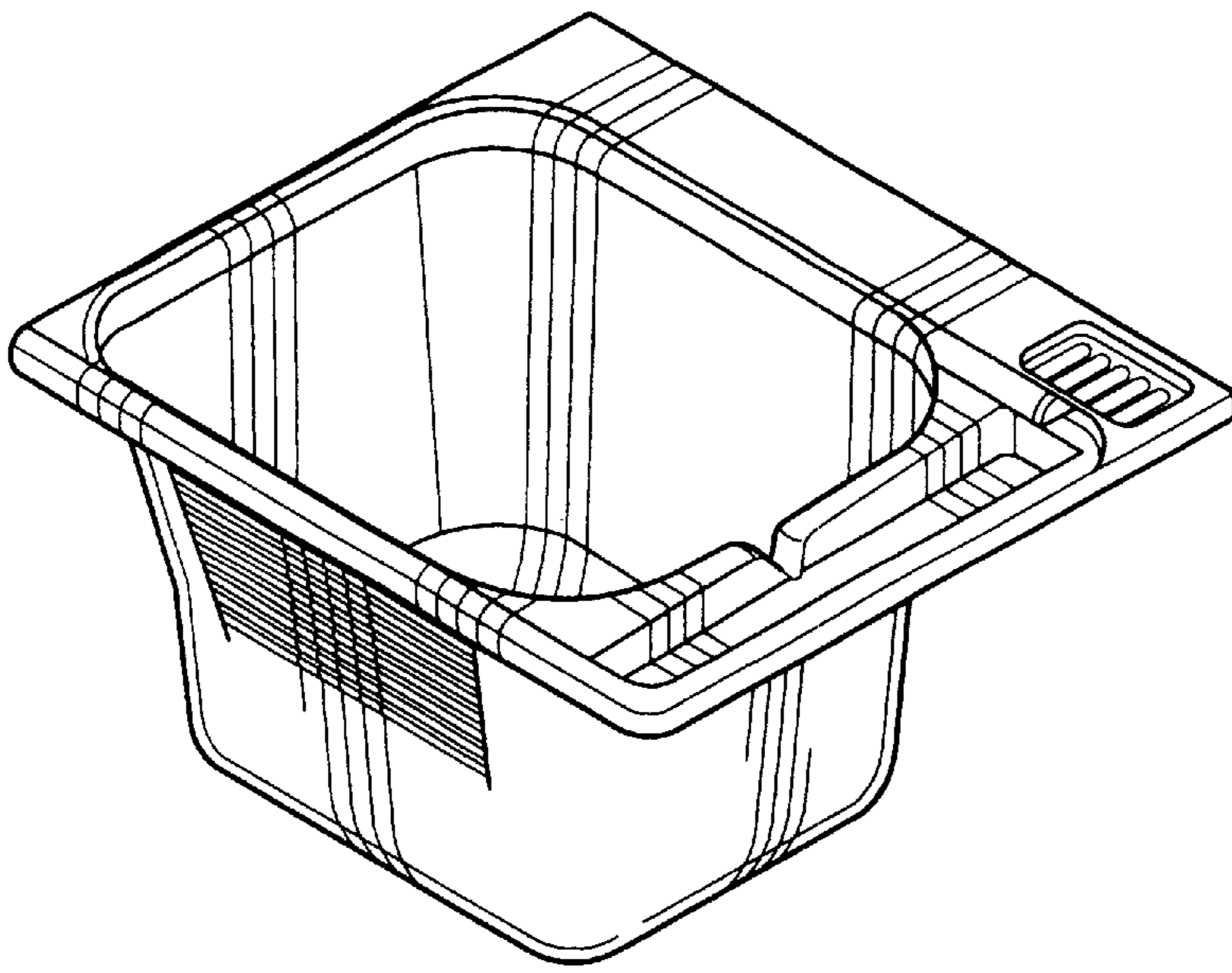


Fig-1

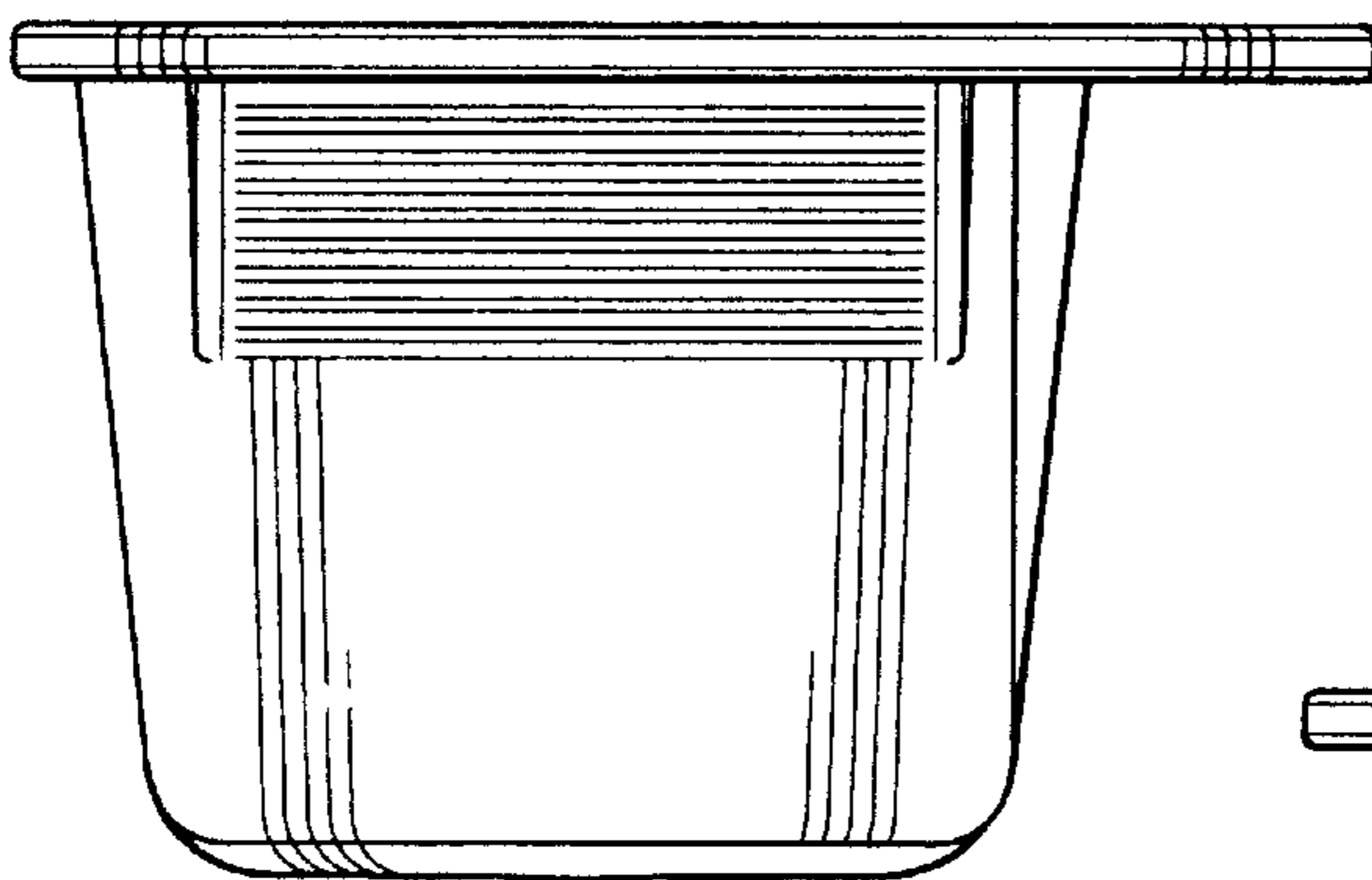


Fig-2

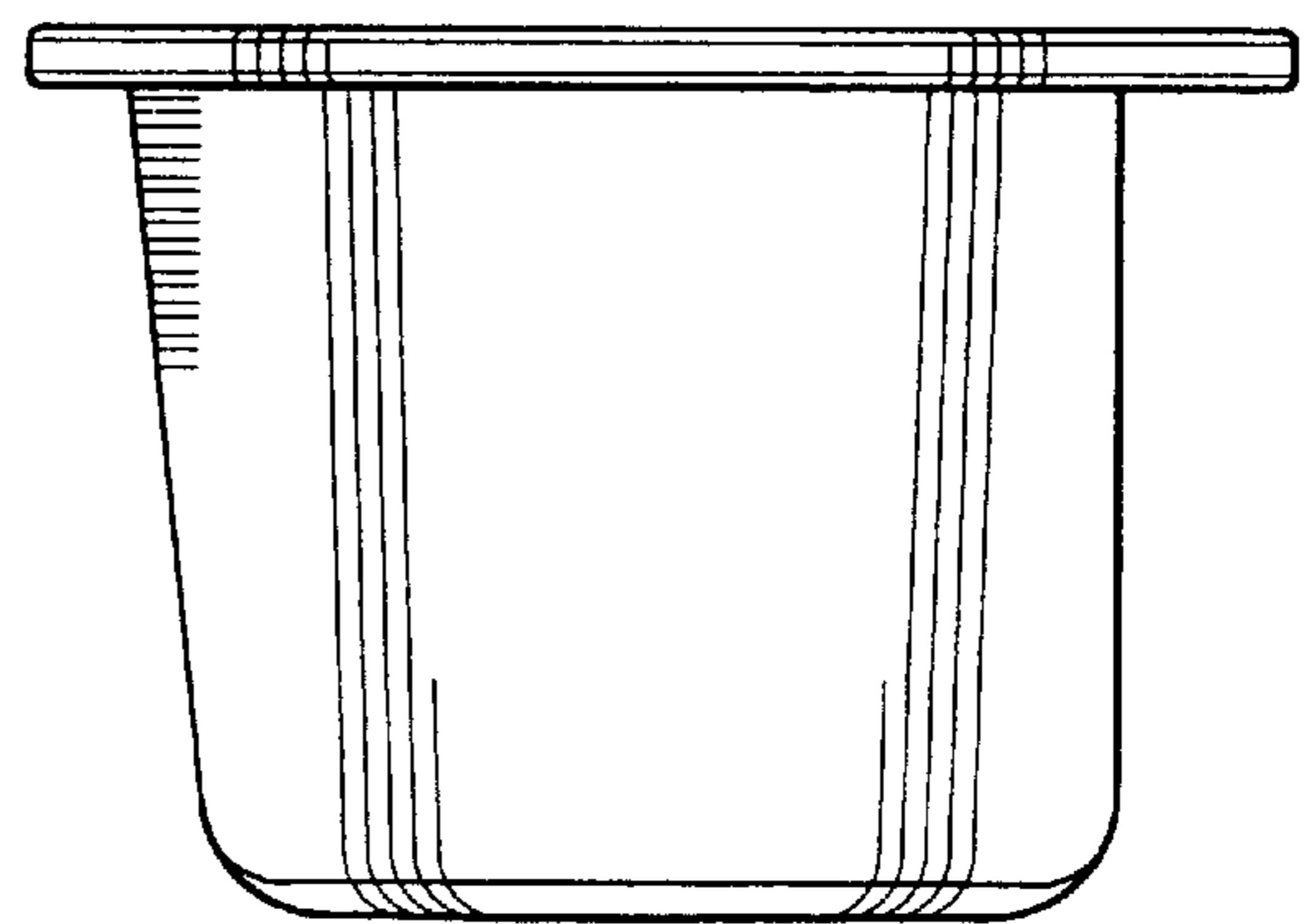


Fig-3

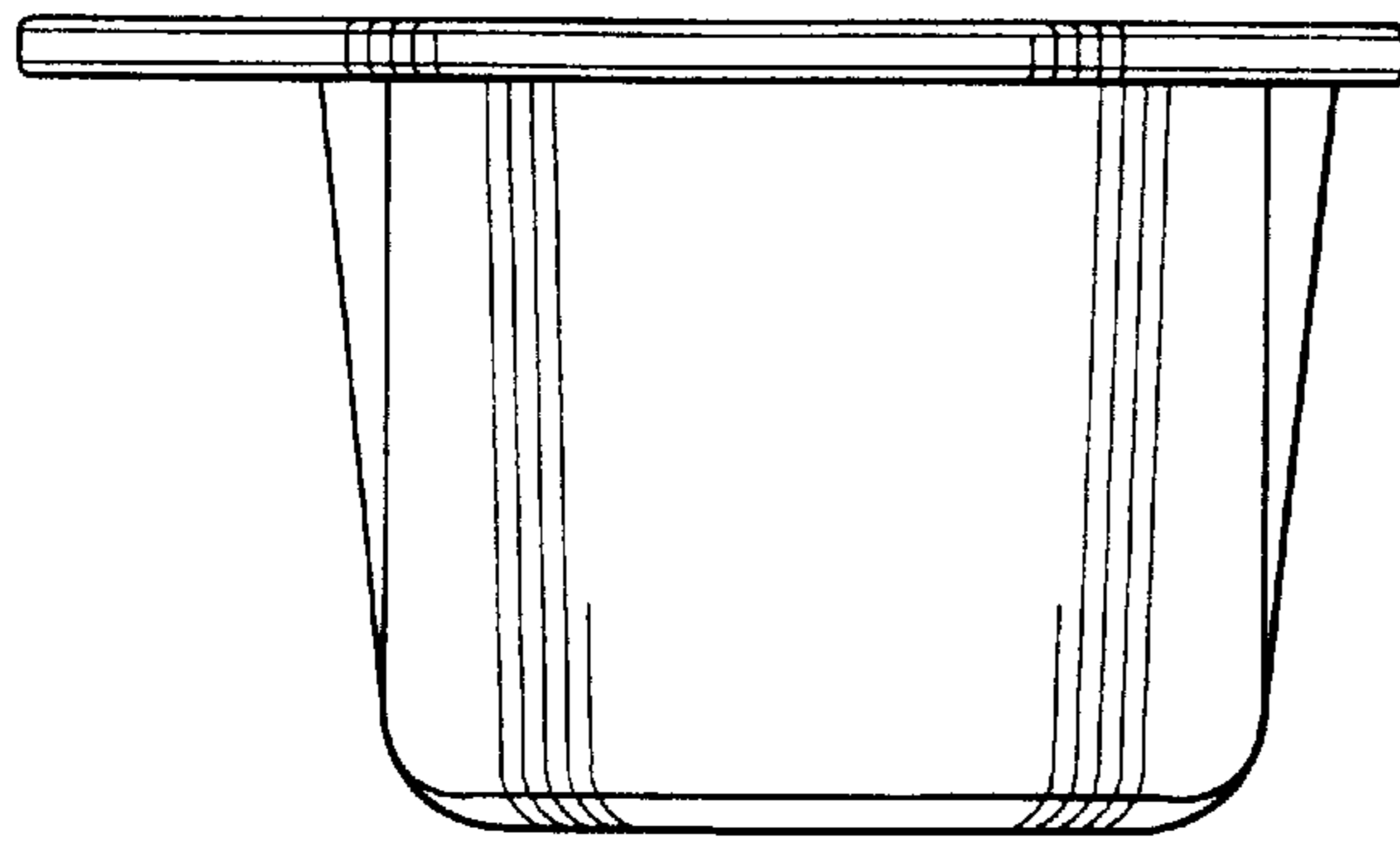


Fig-4

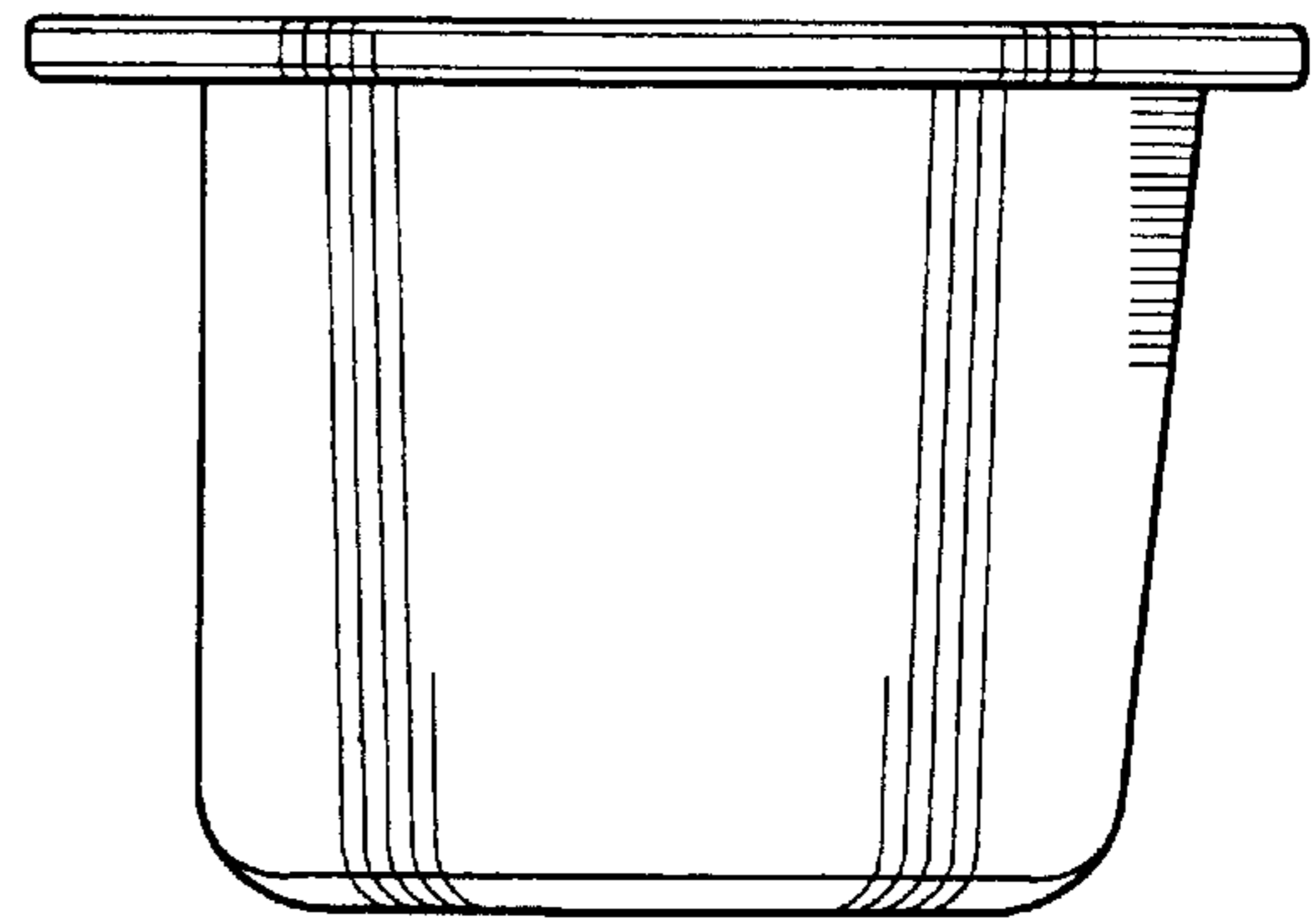


Fig-5

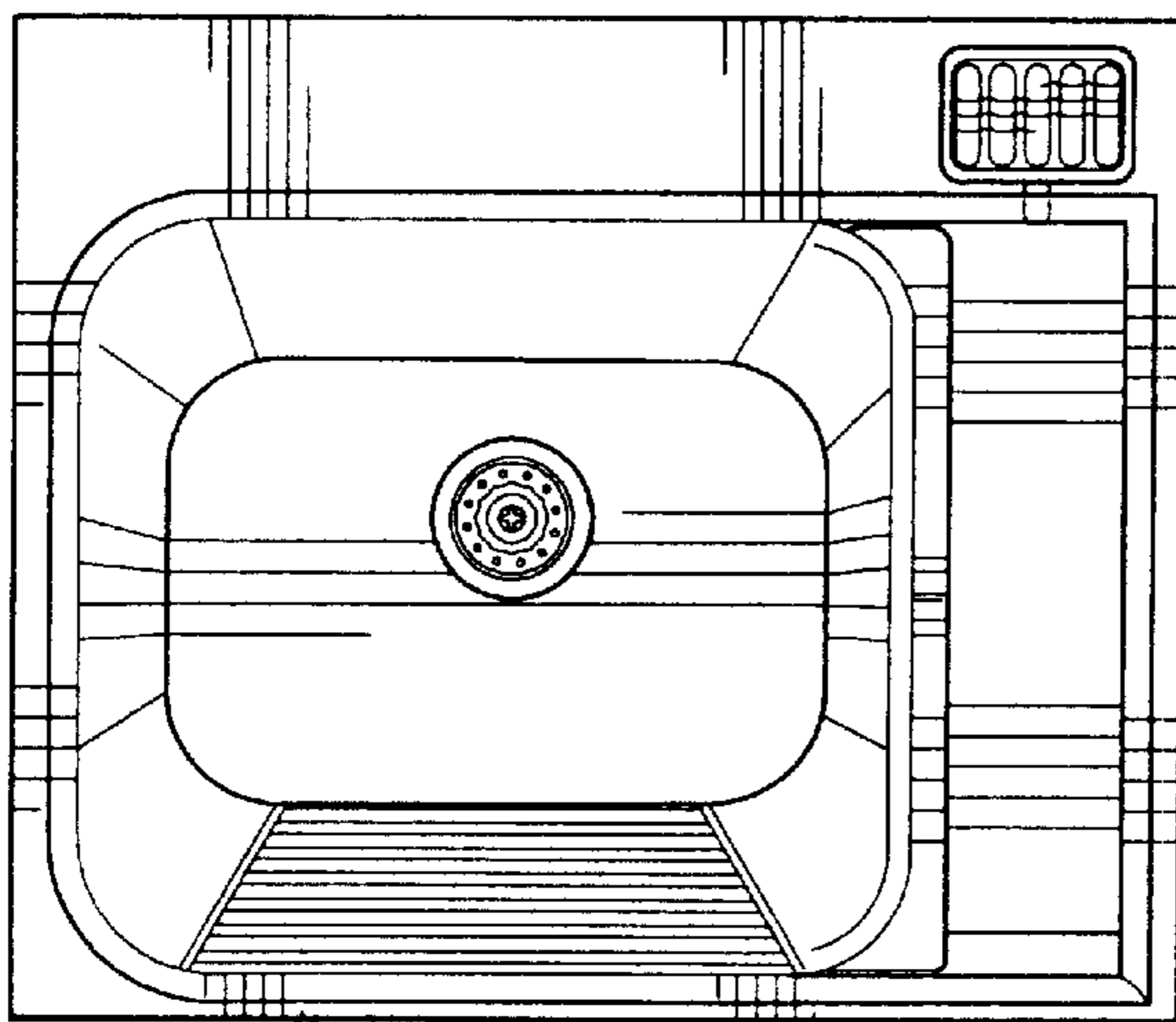


Fig-6

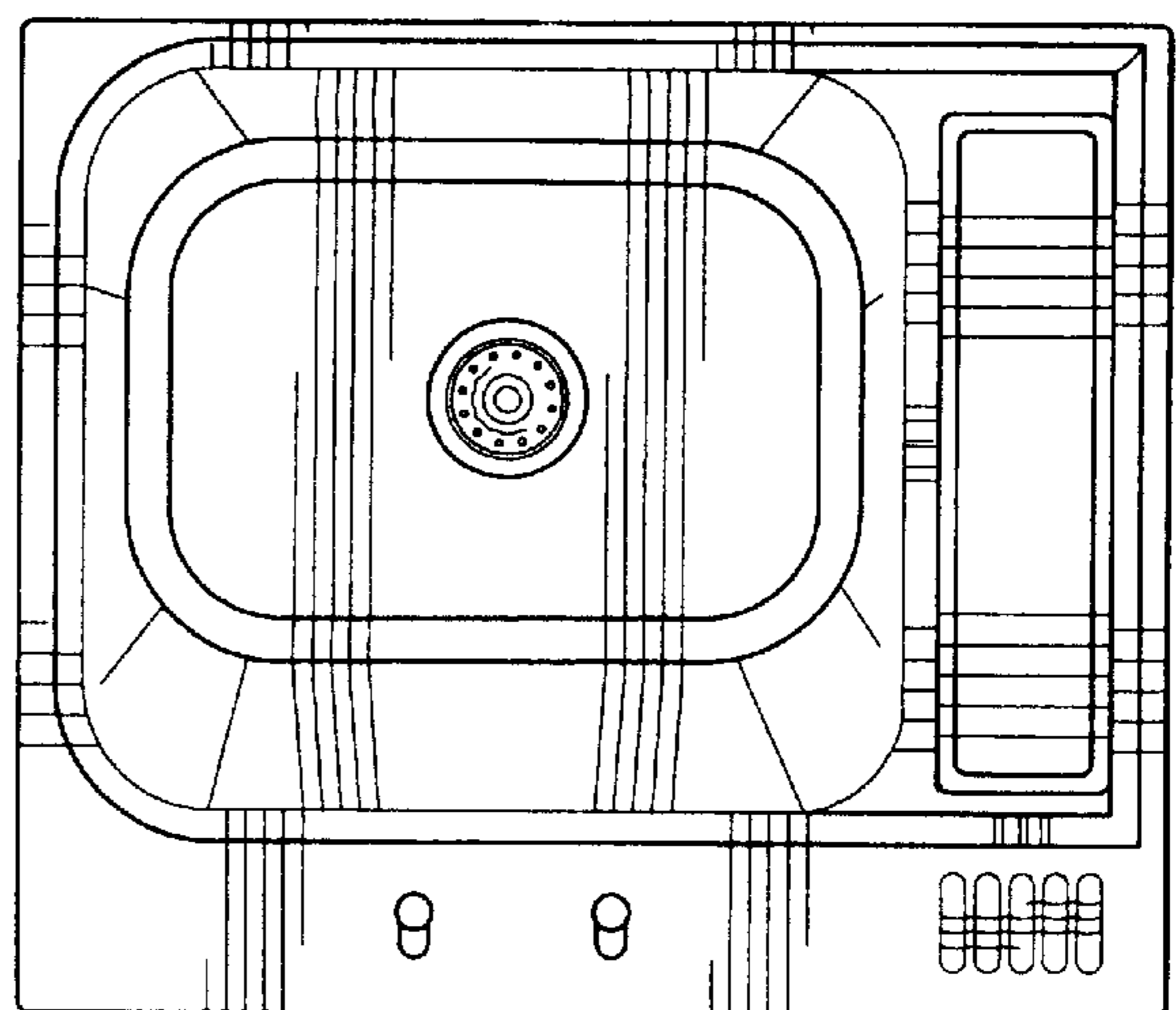


Fig-7

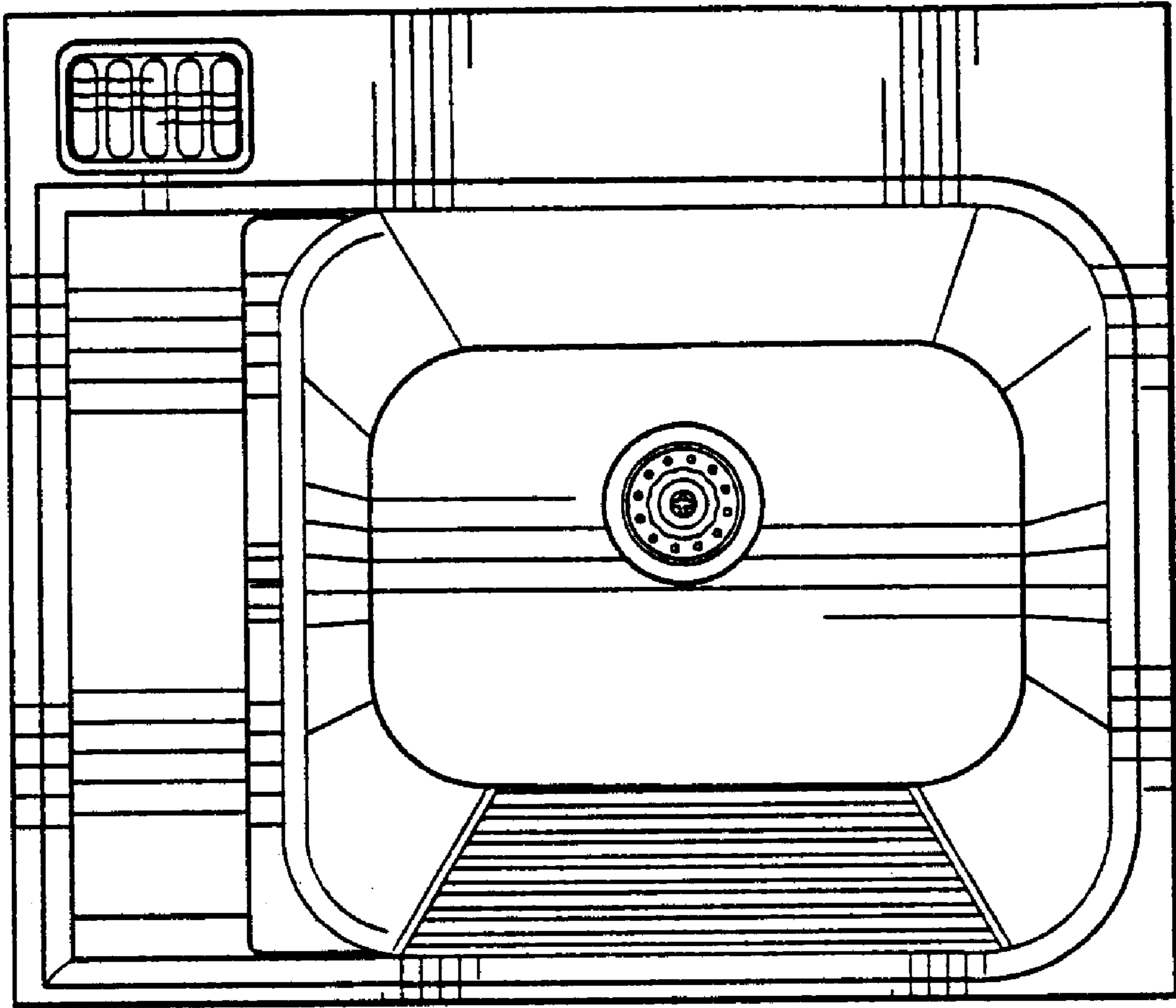


Fig-8