



US00D464708S

(12) **United States Design Patent**  
**Dempsey et al.**

(10) **Patent No.:** **US D464,708 S**

(45) **Date of Patent:** **\*\* Oct. 22, 2002**

(54) **SHOWER HEAD**

(75) Inventors: **James F. Dempsey**, North Olmsted, OH (US); **Christopher Jon Gilbert**, Moreland Hills, OH (US)

(73) Assignee: **Moen Incorporated**, North Olmsted, OH (US)

(\*\*) Term: **14 Years**

(21) Appl. No.: **29/155,828**

(22) Filed: **Feb. 17, 2002**

(51) **LOC (7) Cl.** ..... **23-01**

(52) **U.S. Cl.** ..... **D23/229**

(58) **Field of Search** ..... D23/213, 229, D23/230; 239/462, 394

(56) **References Cited**

**U.S. PATENT DOCUMENTS**

- D134,735 S \* 1/1943 Tompkins ..... D23/229
- D188,645 S \* 8/1960 Kohler ..... D23/229
- D189,117 S \* 10/1960 Kohler ..... D23/229

D245,618 S \* 8/1977 Pitman ..... D23/229

D299,050 S \* 12/1988 Gonzalez ..... D23/229

D366,307 S \* 1/1996 Dougherty et al. .... D23/229

\* cited by examiner

*Primary Examiner*—Robin V. Taylor

(74) *Attorney, Agent, or Firm*—Cook, Alex, McFarron, Manzo, Cummings & Mehler, Ltd.

(57) **CLAIM**

The ornamental design for a shower head, as shown and described.

**DESCRIPTION**

FIG. 1 is a perspective view of our new design for a shower head;

FIG. 2 is a left side view thereof;

FIG. 3 is a right side view thereof;

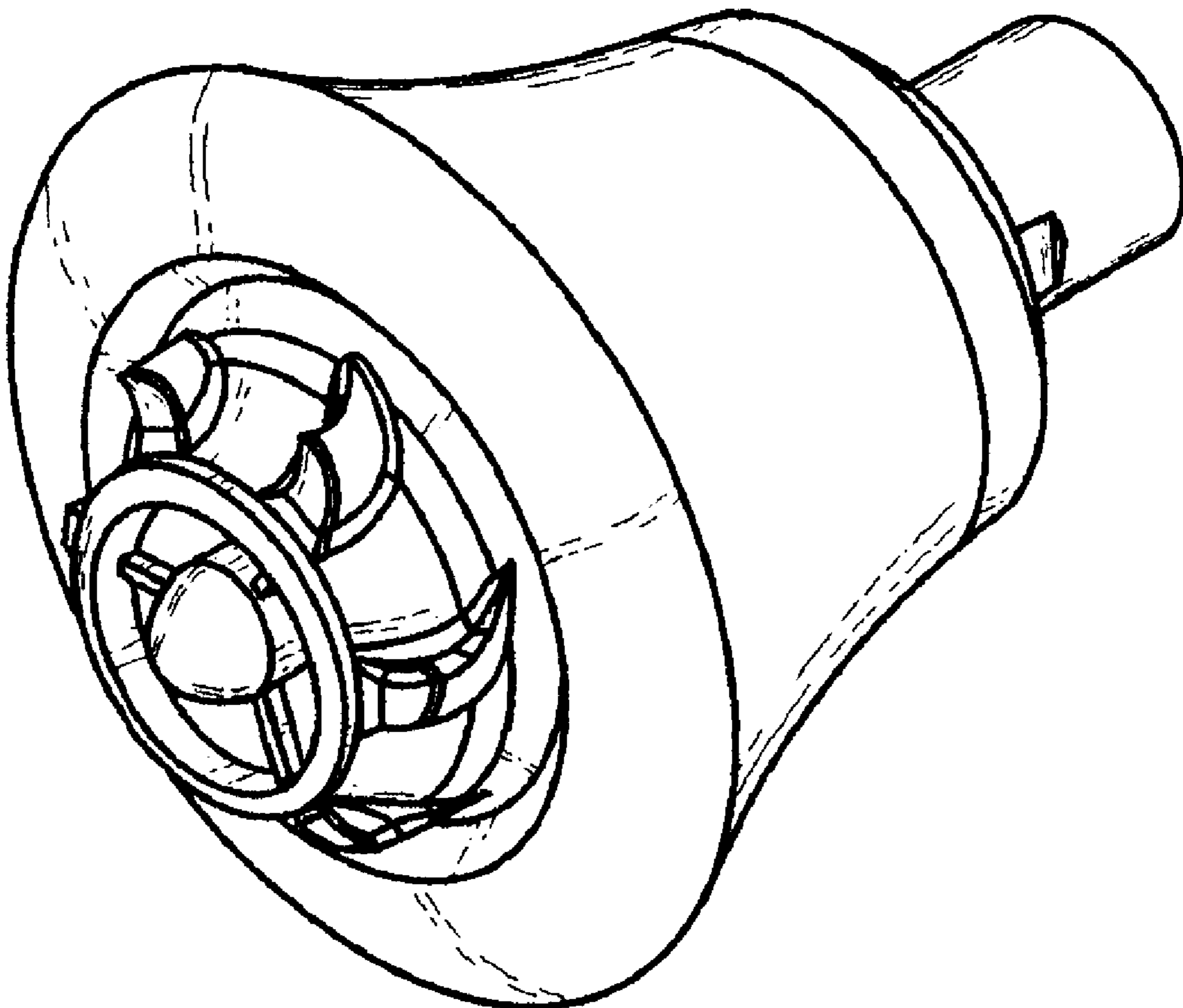
FIG. 4 is a top view thereof;

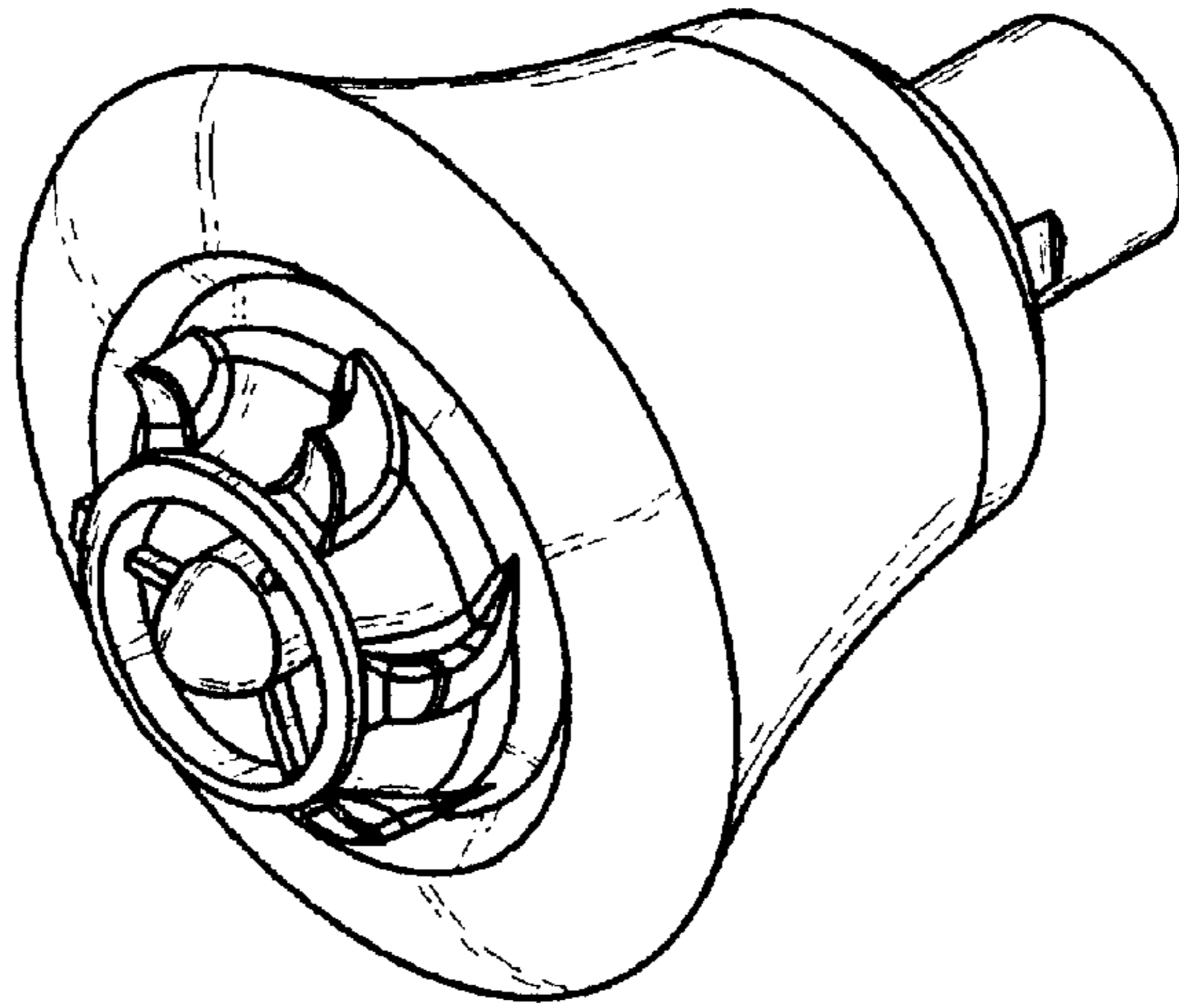
FIG. 5 is a bottom view thereof;

FIG. 6 is a front view thereof; and,

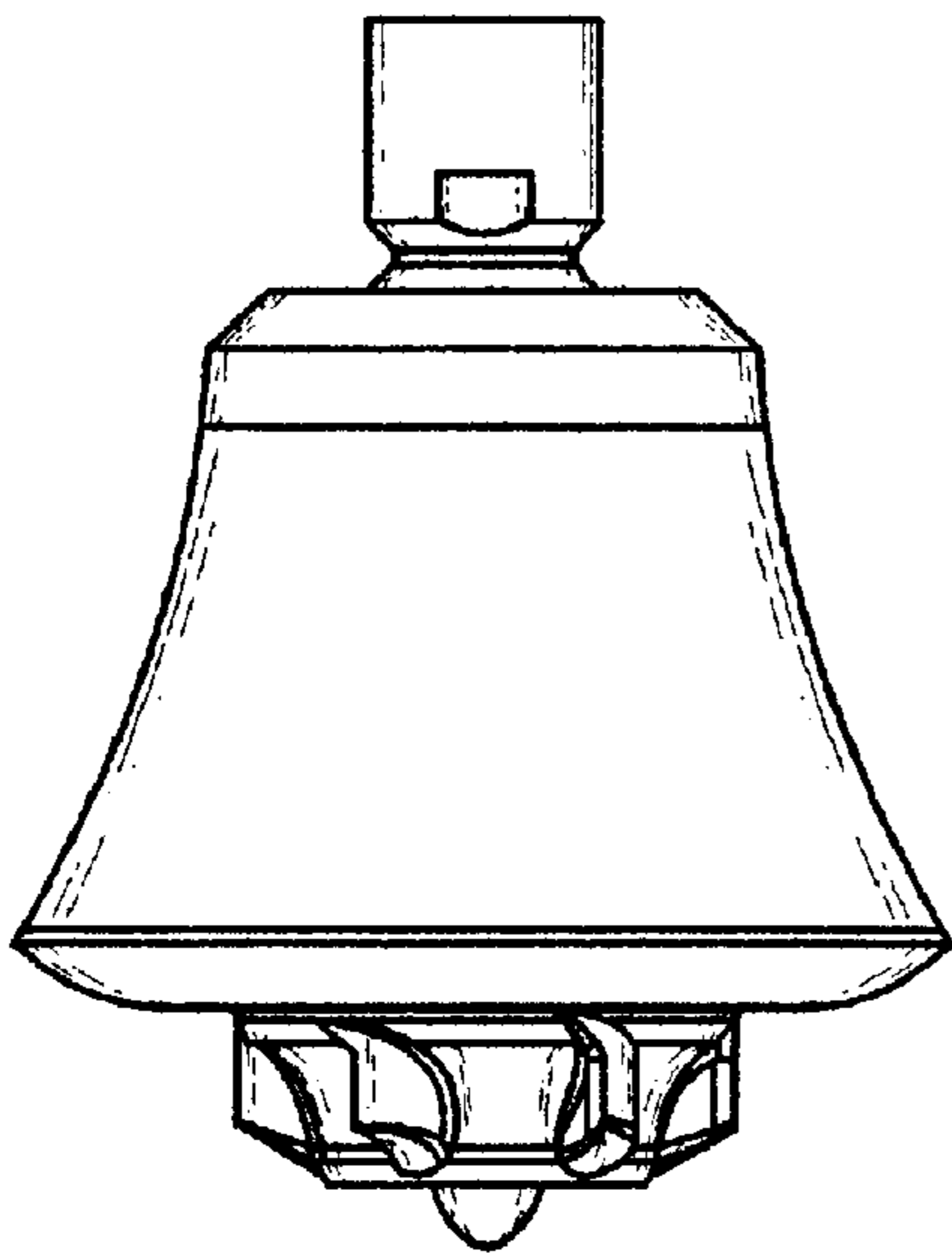
FIG. 7 is a rear view thereof.

**1 Claim, 3 Drawing Sheets**

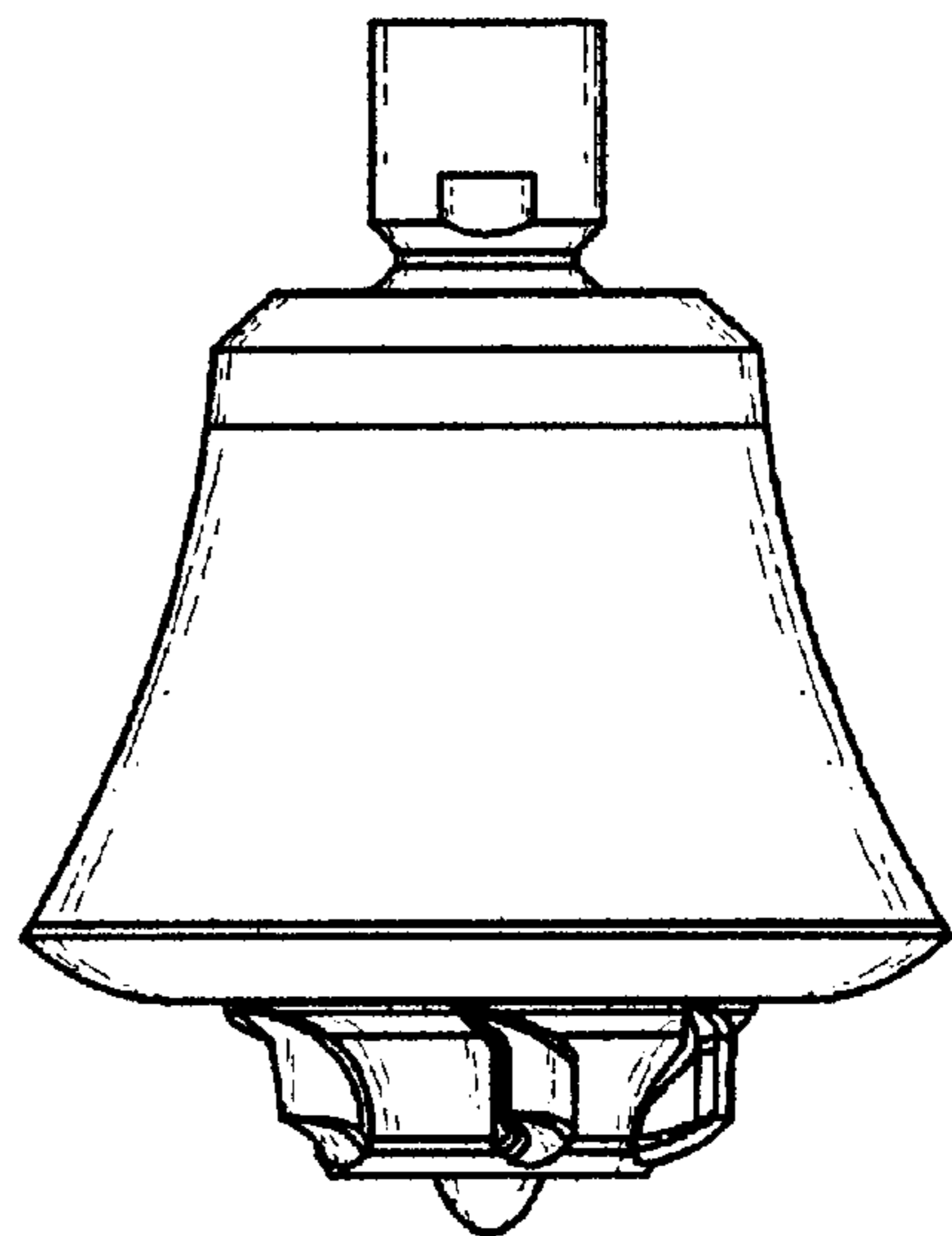




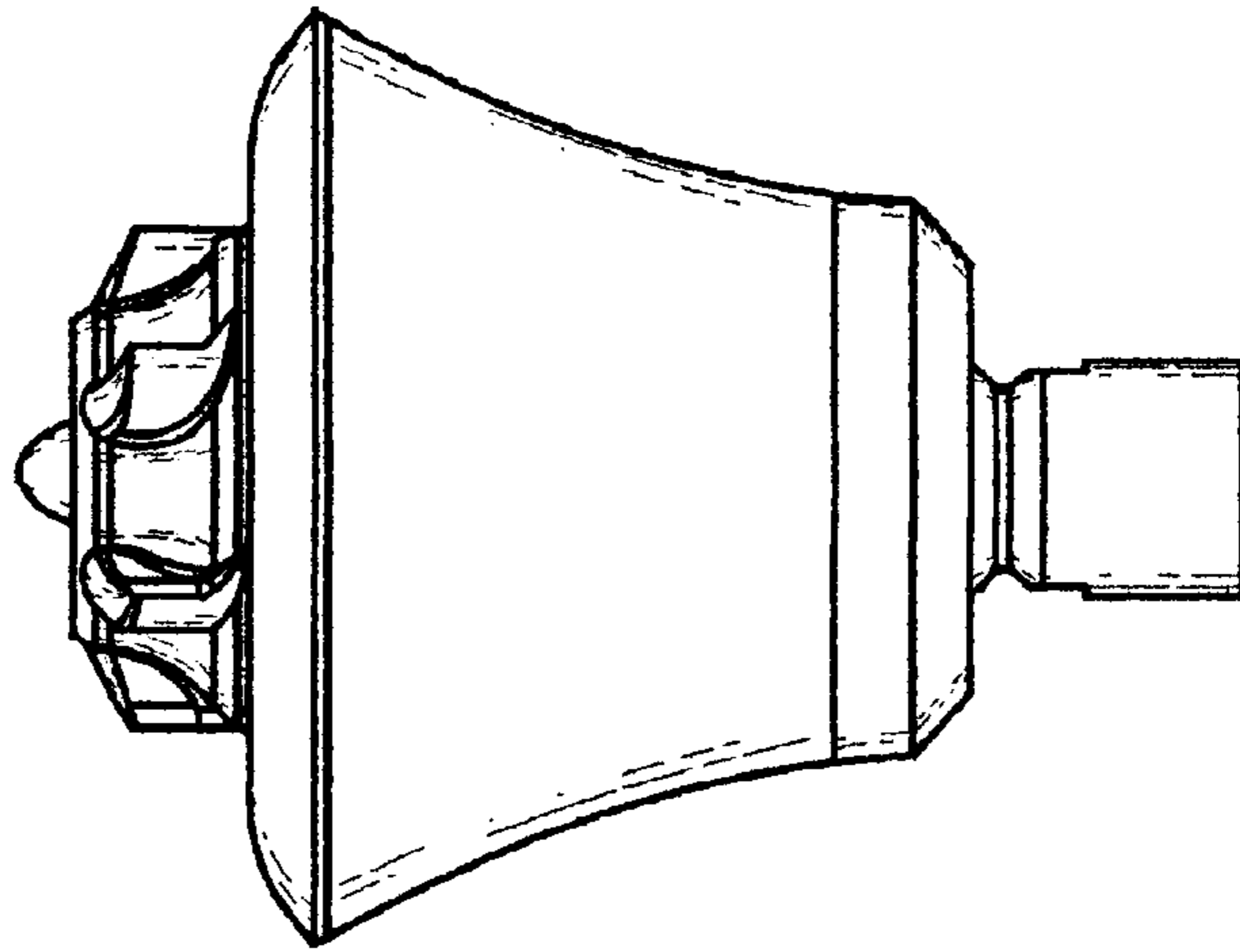
**FIG. 1**



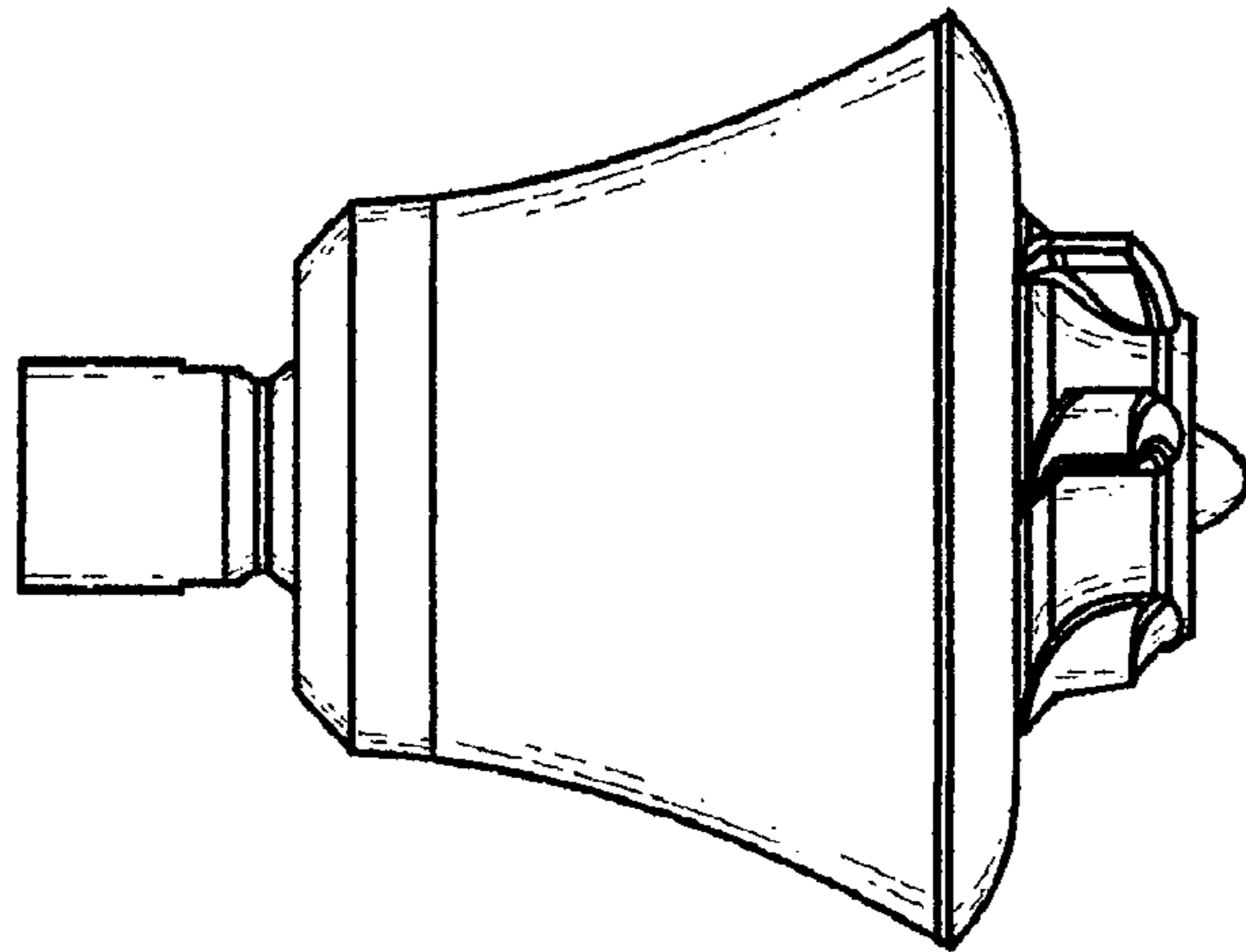
**FIG. 2**



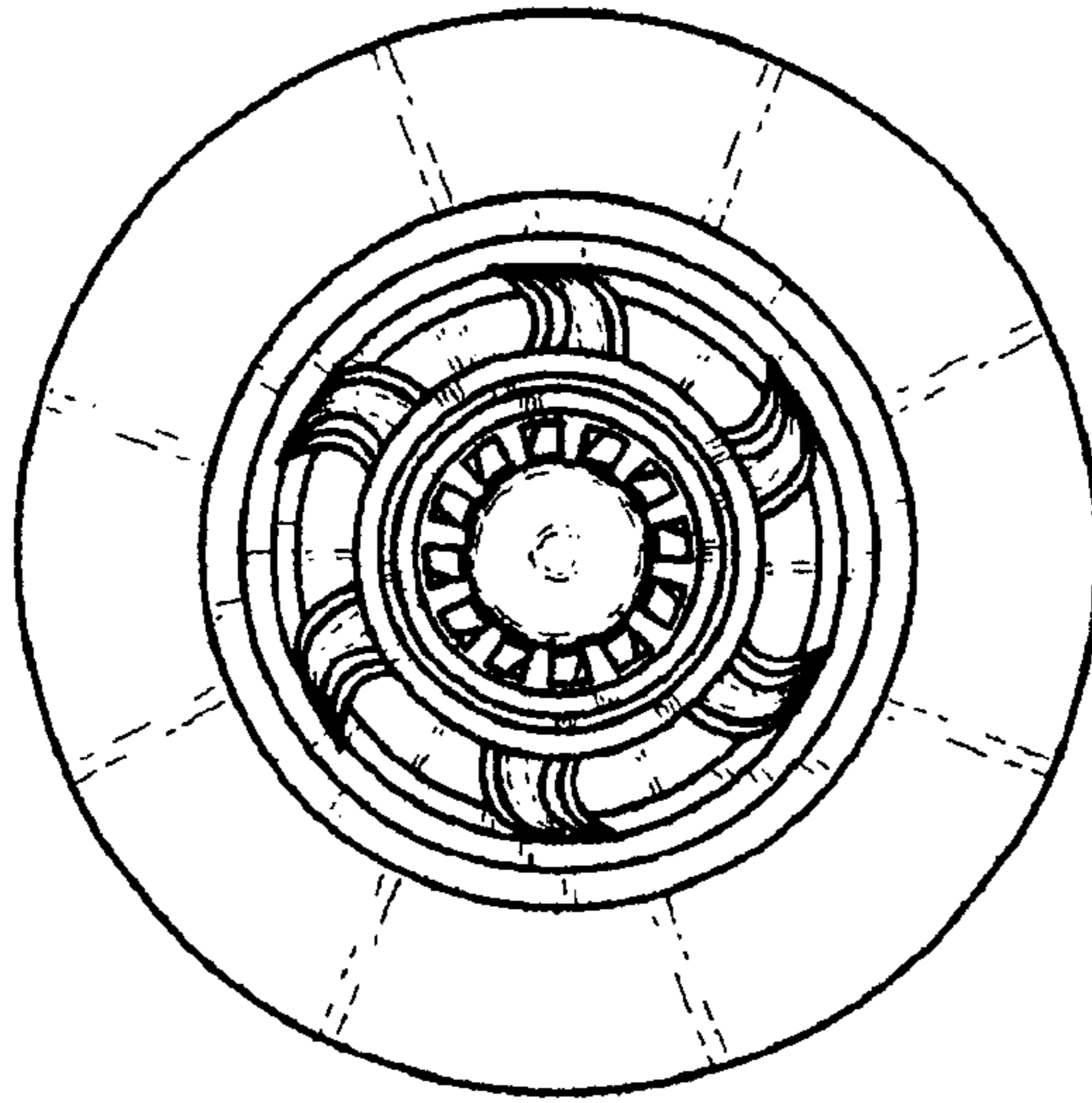
**FIG. 3**



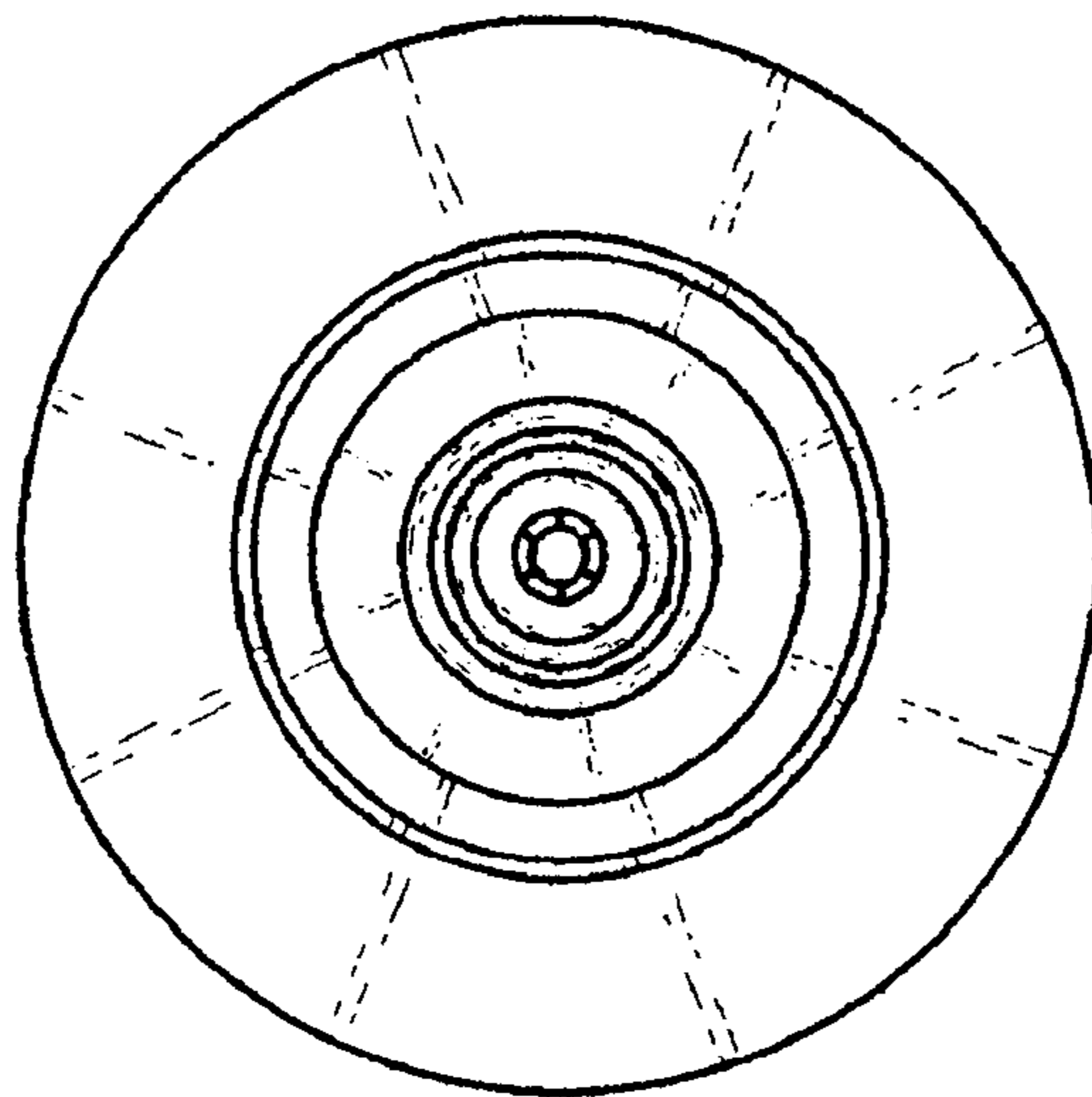
**FIG. 4**



**FIG. 5**



**FIG. 6**



**FIG. 7**