



US00D464703S

(12) **United States Design Patent**
McIntosh

(10) **Patent No.:** **US D464,703 S**

(45) **Date of Patent:** **** Oct. 22, 2002**

(54) **ARCHERY TARGET SUPPORT BRACKET**

5,067,683 A * 11/1991 Wager 248/156 X
5,598,996 A * 2/1997 Rath 248/166 X

(76) Inventor: **Thomas C. McIntosh**, 6109 Ferguson Rd., Ramseur, NC (US) 27316

FOREIGN PATENT DOCUMENTS

(**) Term: **14 Years**

DE 3914168 A1 * 9/1989 273/407

* cited by examiner

(21) Appl. No.: **29/154,832**

Primary Examiner—Louis S. Zarfes
Assistant Examiner—Monica A. Weingart

(22) Filed: **Jan. 30, 2002**

(51) **LOC (7) Cl.** **22-04**

(57) **CLAIM**

(52) **U.S. Cl.** **D22/113**

The ornamental design for an archery target support bracket, as shown and described.

(58) **Field of Search** D22/100, 113,
D22/199; D21/306; 124/23.1; 248/156,
175, 166, 163.1, 545; 273/407, 408, 409,
410

DESCRIPTION

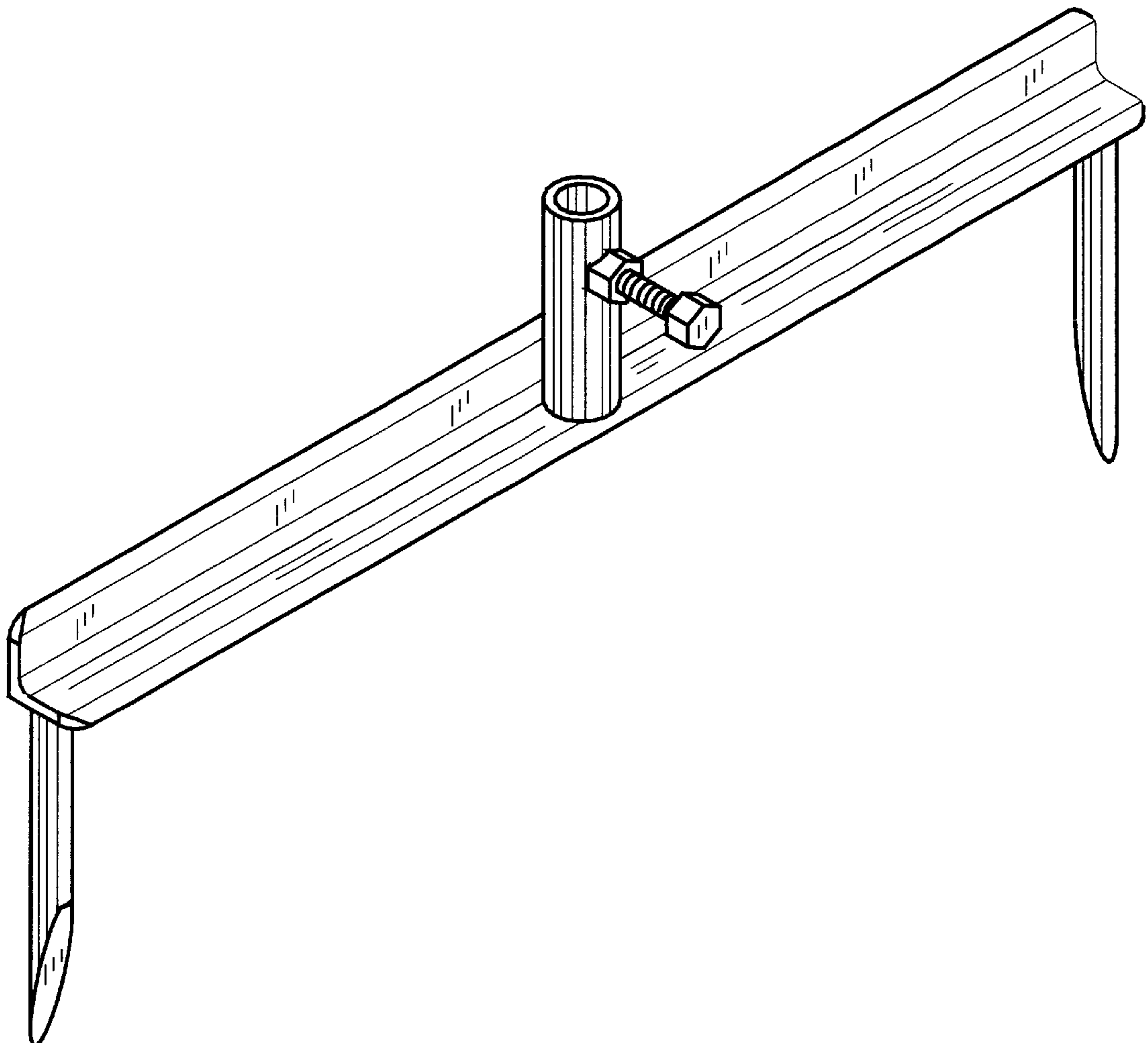
(56) **References Cited**

FIG. 1 is a front, top, left side view of an archery target support bracket embodying my design;
FIG. 2 is a right side elevational view thereof;
FIG. 3 is a rear elevational view thereof; and,
FIG. 4 is a bottom plan view thereof.

U.S. PATENT DOCUMENTS

2,297,316 A * 9/1942 Padgett 248/166
3,601,353 A * 8/1971 Dale 248/156 X
4,717,110 A * 1/1988 Fohrman 248/156 X

1 Claim, 2 Drawing Sheets



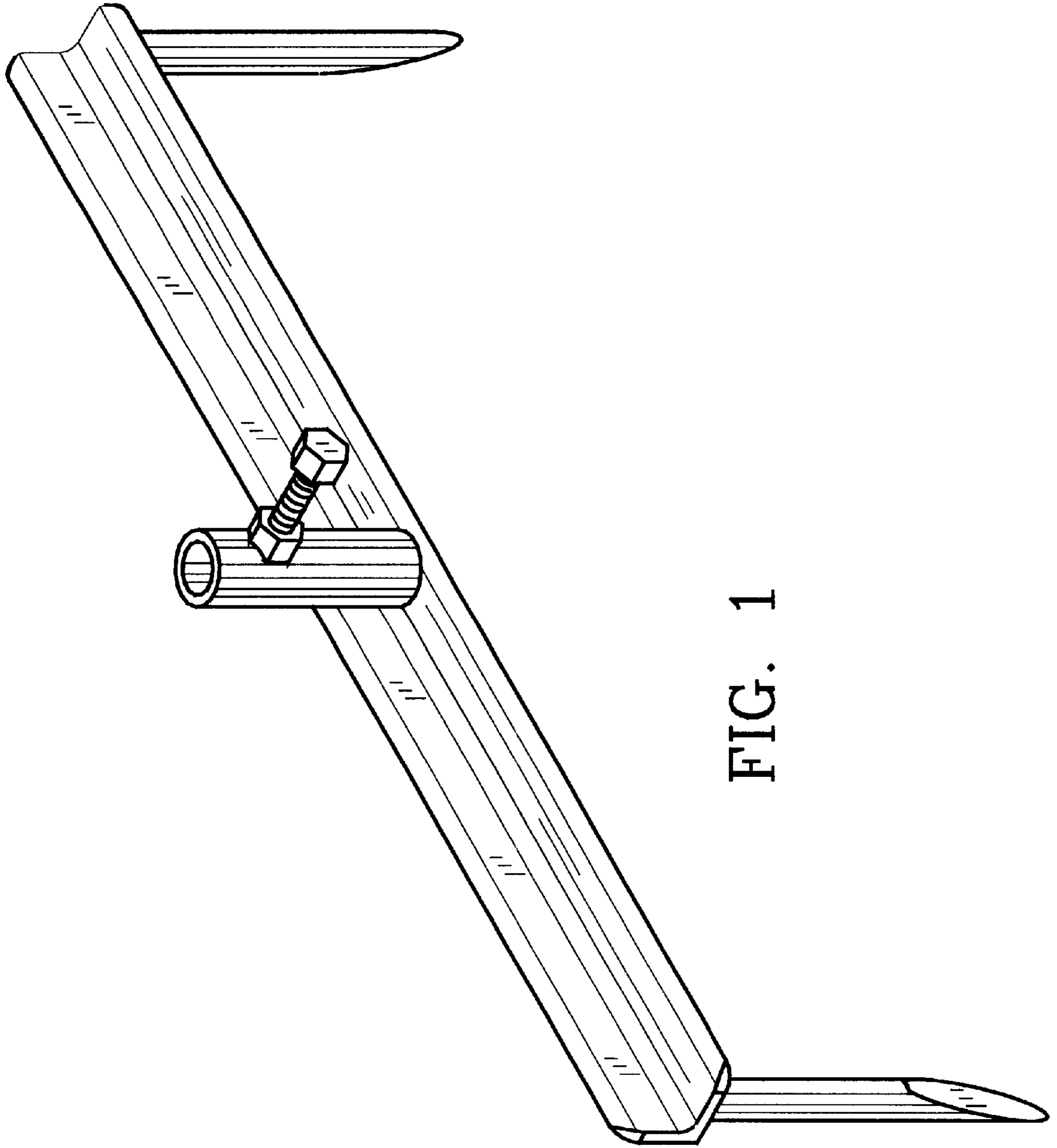


FIG. 1

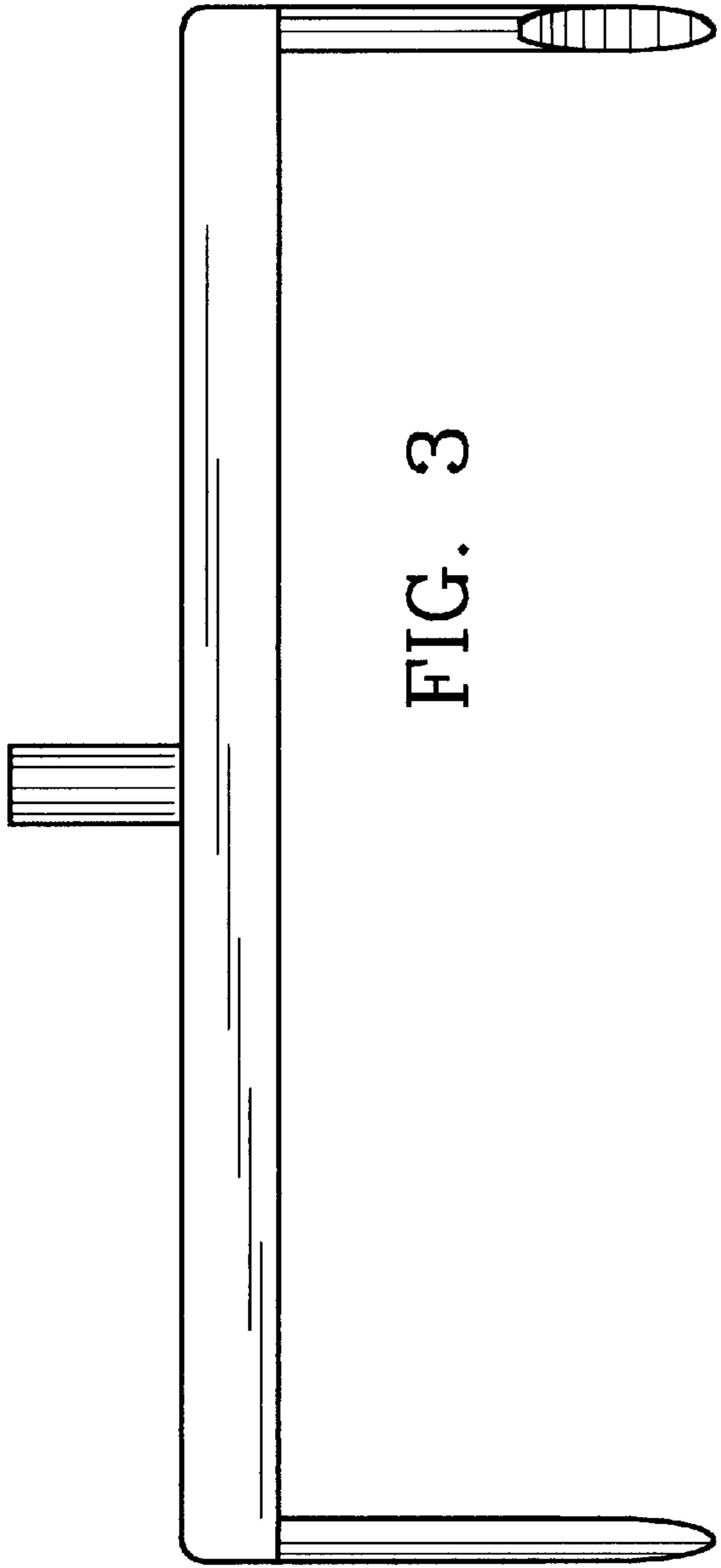


FIG. 3

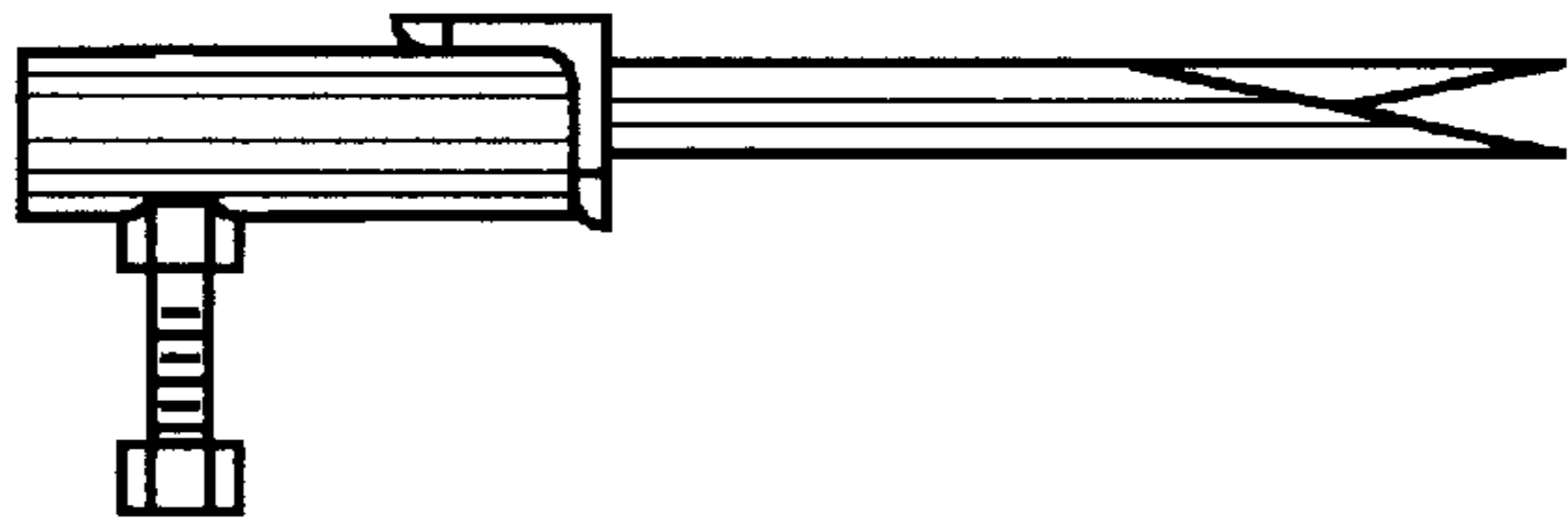


FIG. 2

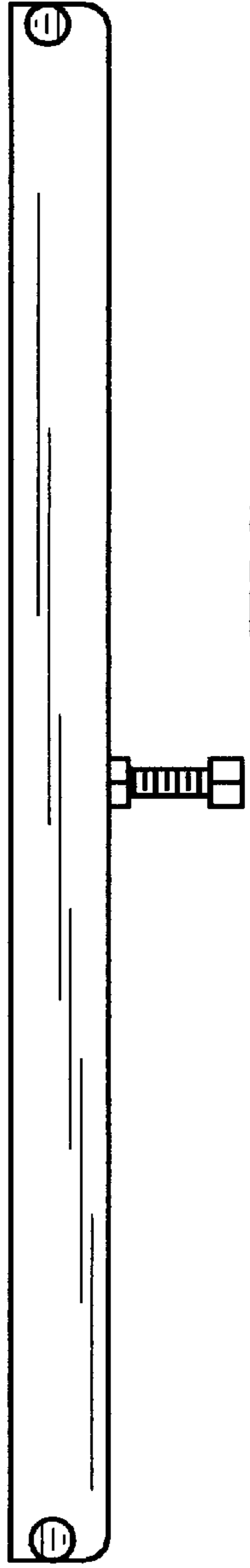


FIG. 4