



US00D464702S

(12) **United States Design Patent**
Mauch et al.

(10) **Patent No.:** **US D464,702 S**

(45) **Date of Patent:** **** Oct. 22, 2002**

(54) **PISTOL**

(75) Inventors: **Ernst Mauch**, Dunningen (DE);
Hans-Peter Bantle, Dunningen-Seedorf (DE); **Helmut Weldle**,
Onberndorf-Beffendorf (DE); **Robert Knöpfle**,
Alpirsbach-Peterszell (DE); **Norbert Fluhr**,
Oberndorf (DE); **Gerd Spinner**,
Oberndorf-Bochingen (DE)

(73) Assignee: **Heckler & Koch GmbH**,
Oberndorf/Neckar (DE)

(**) Term: **14 Years**

(21) Appl. No.: **29/140,002**

(22) Filed: **Apr. 10, 2001**

(30) **Foreign Application Priority Data**

Oct. 12, 2000 (DE) 400 09 906
Mar. 29, 2001 (DE) 401 03 483

(51) **LOC (7) Cl.** **22-01**

(52) **U.S. Cl.** **D22/104**

(58) **Field of Search** D22/100, 104,
D22/149; D21/573, 574, 575; 42/50, 65,
66, 69.01, 70.11, 71.01, 71.02, 75.02; 89/195,
196

(56) **References Cited**

U.S. PATENT DOCUMENTS

4,358,987 A * 11/1982 Wilhelm 42/75.02 X

5,042,185 A * 8/1991 Justice, Sr. 42/70.11
D345,407 S * 3/1994 Ruger D22/104
D359,098 S * 6/1995 Stevens D22/104
D359,788 S * 6/1995 Ruger et al. D22/104
5,465,520 A * 11/1995 Cupp 42/71.02

* cited by examiner

Primary Examiner—Louis S. Zarfaz

Assistant Examiner—Monica A. Weingart

(74) *Attorney, Agent, or Firm*—Marshall, Gerstein & Borun

(57) **CLAIM**

The ornamental design for a pistol, as shown and described.

DESCRIPTION

FIG. 1 is a rear right perspective view of the pistol constructed in accordance with the teachings of the present invention.

FIG. 2 is a side view of the pistol in FIG. 1.

FIG. 3 is a rear view of the of the pistol in FIG. 1 and FIG. 2

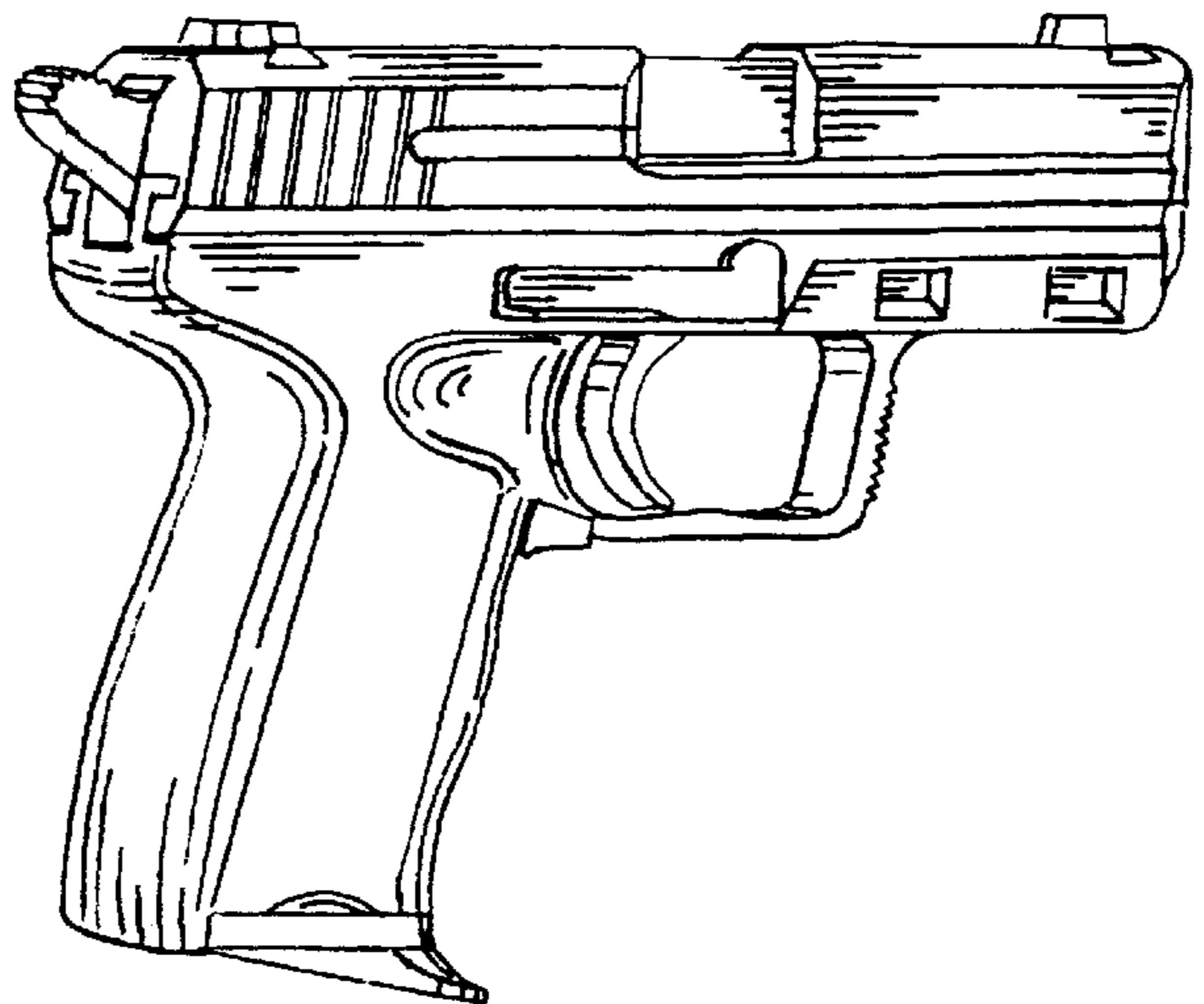
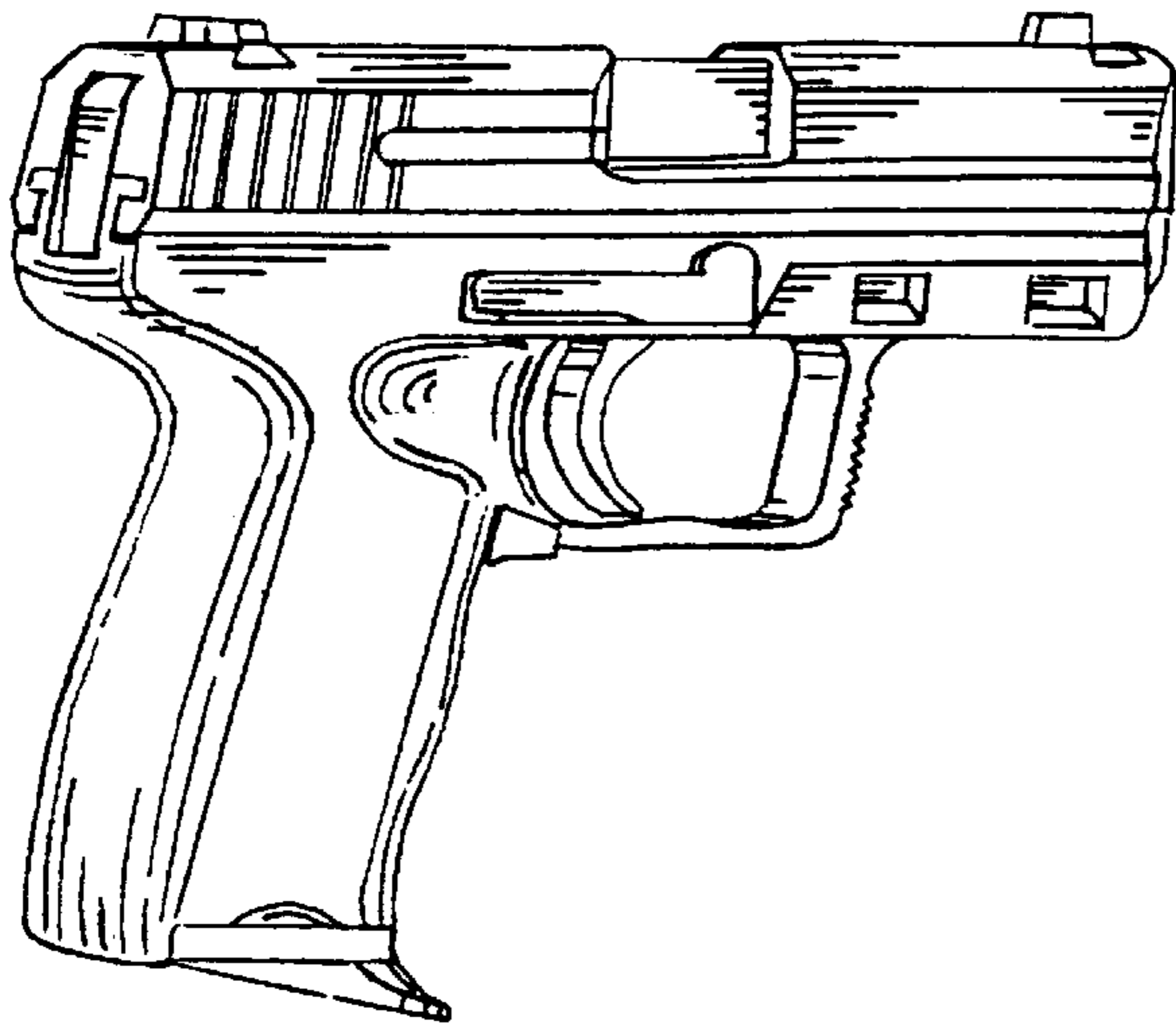
FIG. 4 is a front view of the pistol in FIG. 1, FIG. 2 and FIG. 3.

FIG. 5 is a rear right perspective view of another pistol constructed in accordance with the teachings of the present invention.

FIG. 6 is a side view of the pistol in FIG. 5.

FIG. 7 is a rear view of the pistol in FIG. 5 and FIG. 6; and, FIG. 8 is a front view of the pistol in FIG. 5, FIG. 6 and FIG. 7.

1 Claim, 2 Drawing Sheets



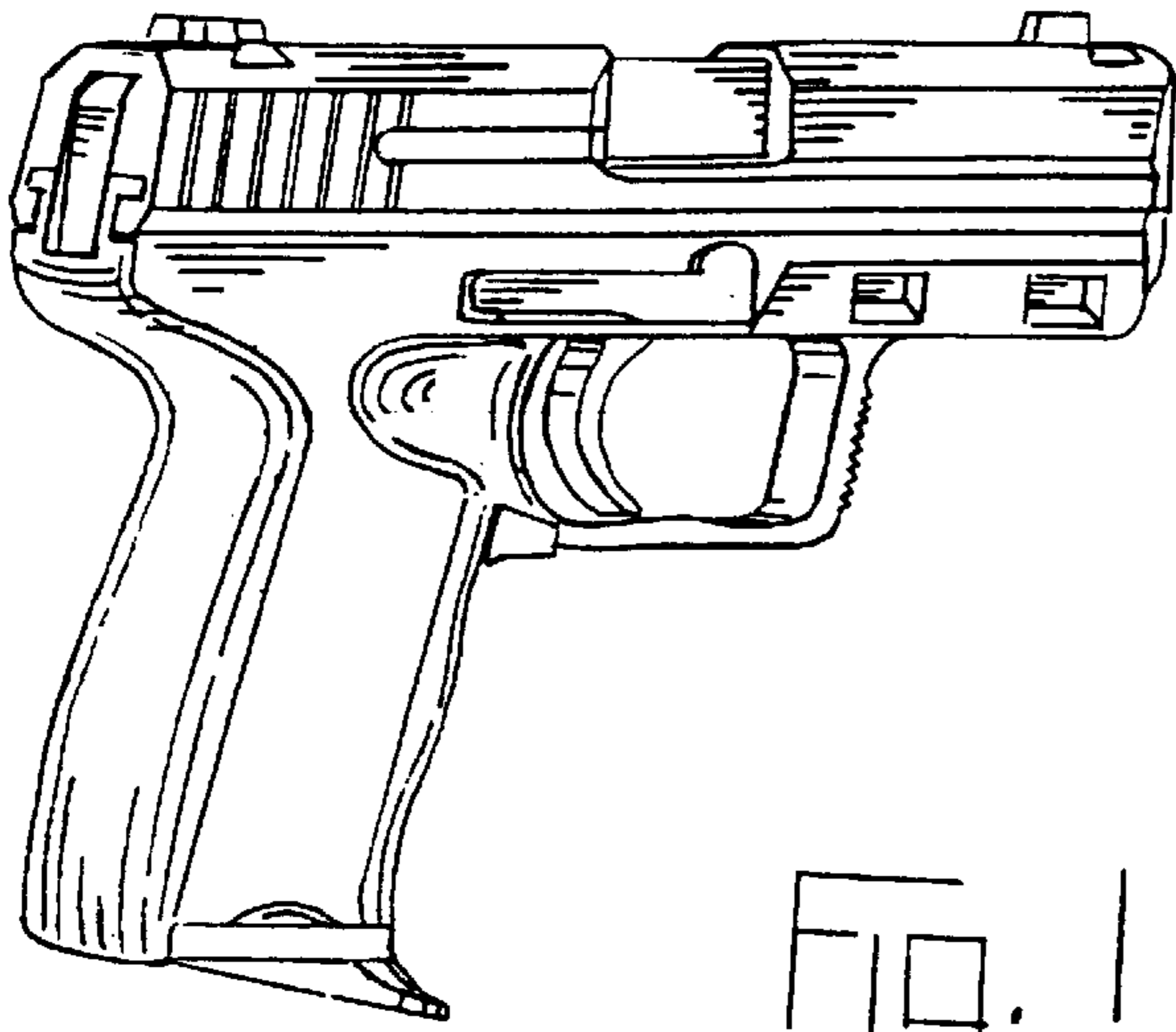


FIG. 1

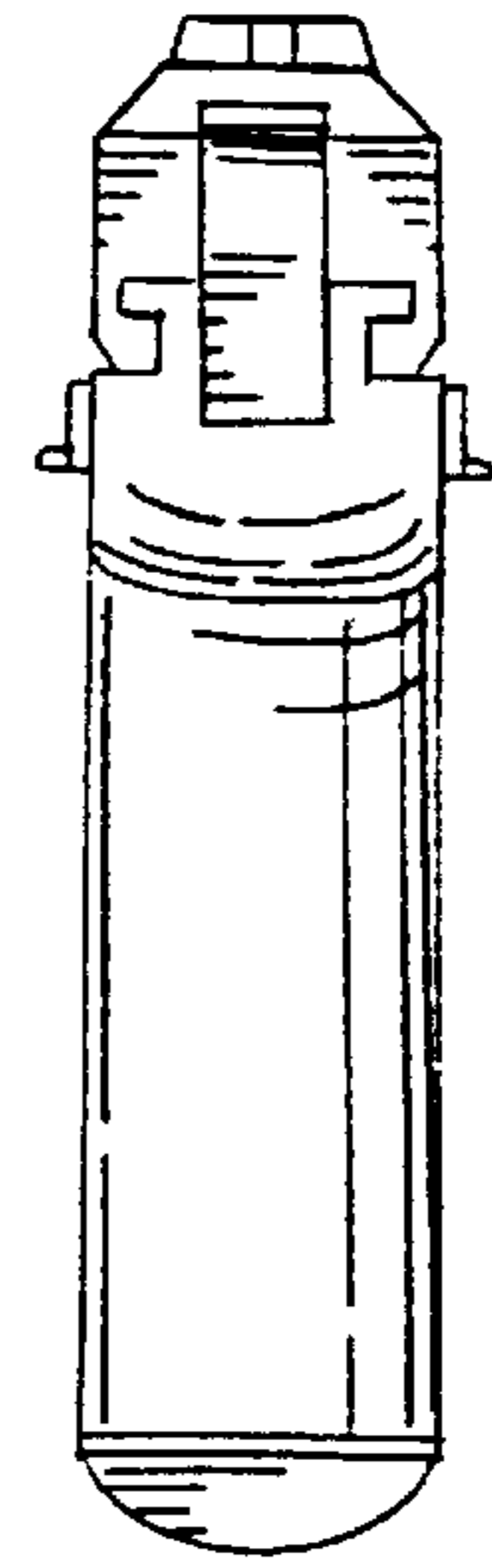


FIG. 3

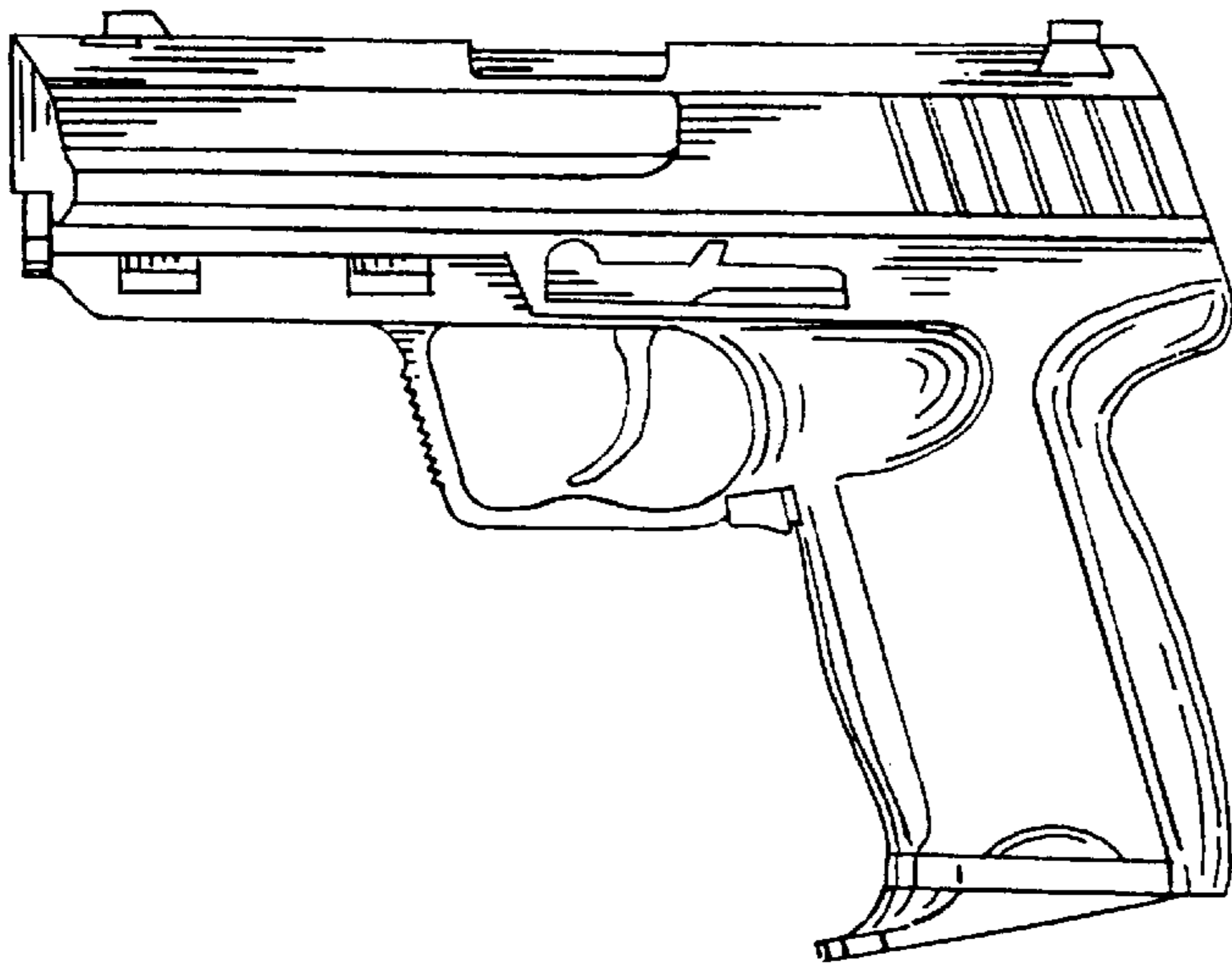


FIG. 2

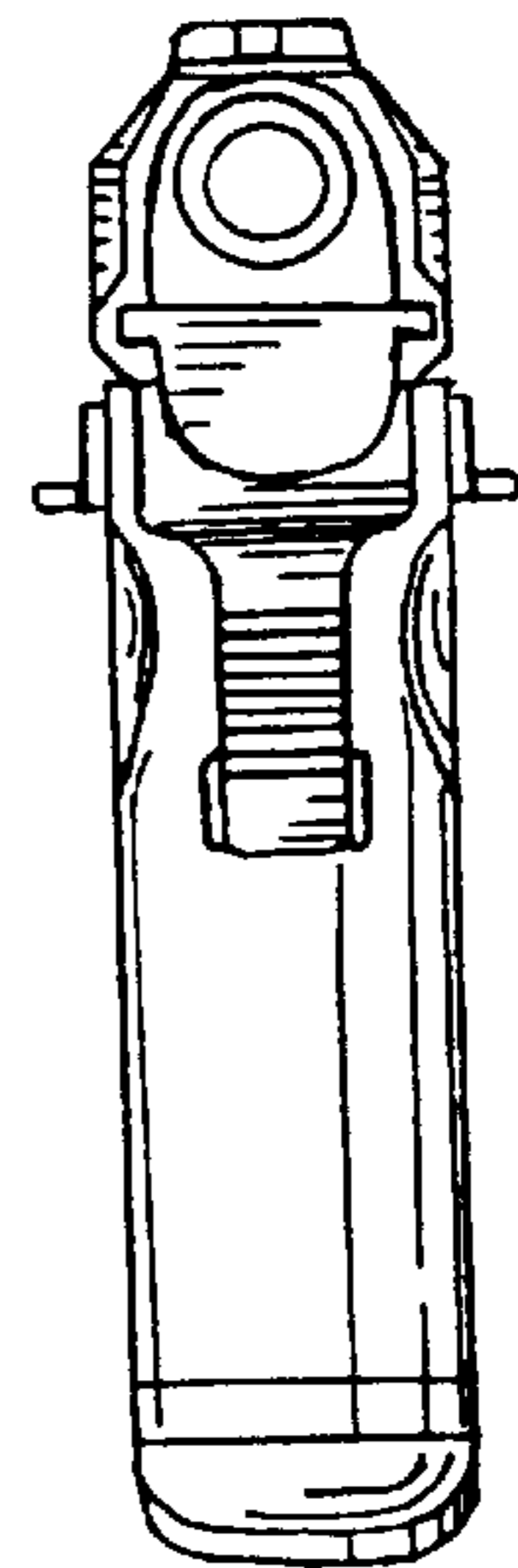


FIG. 4

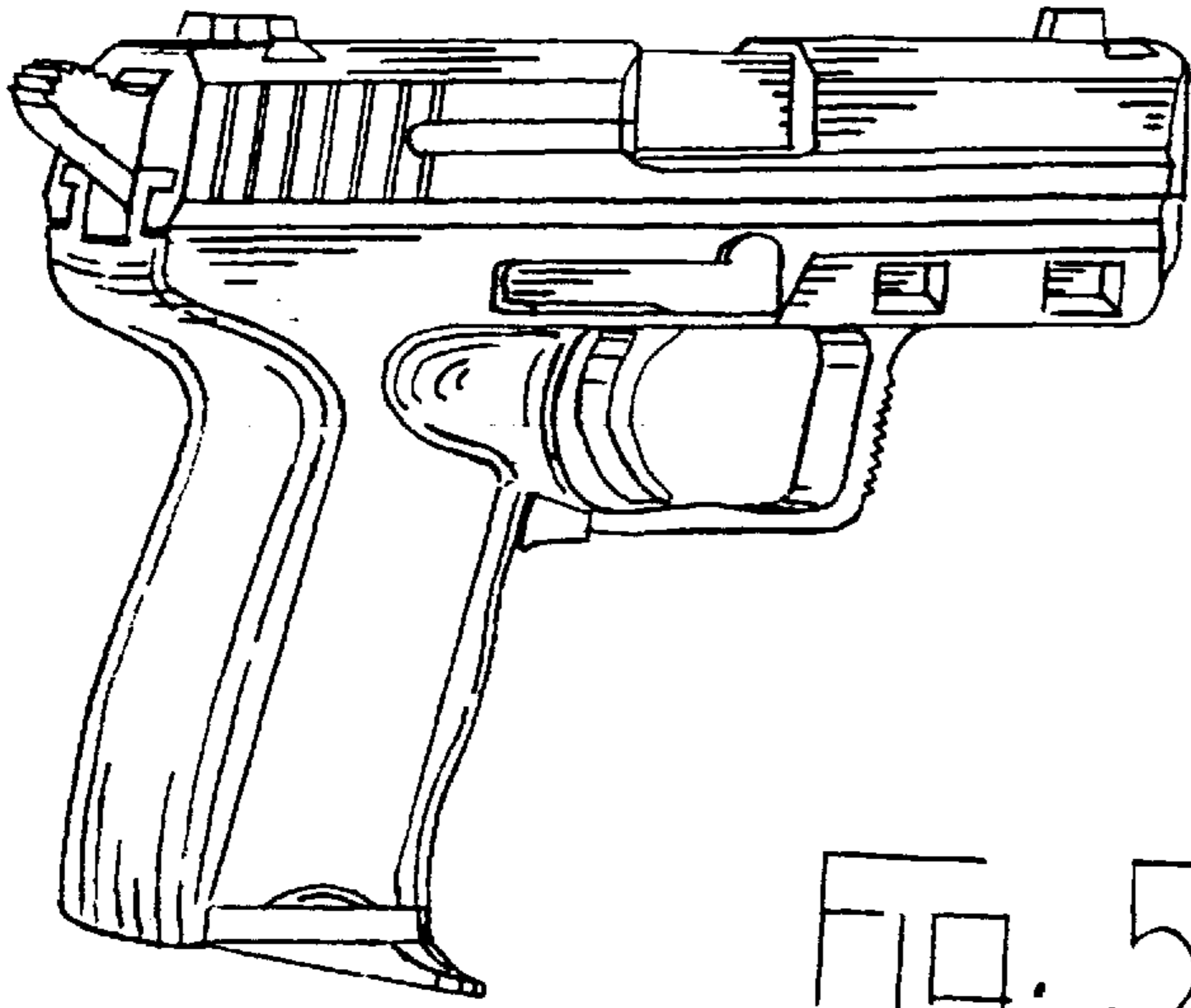


FIG. 5

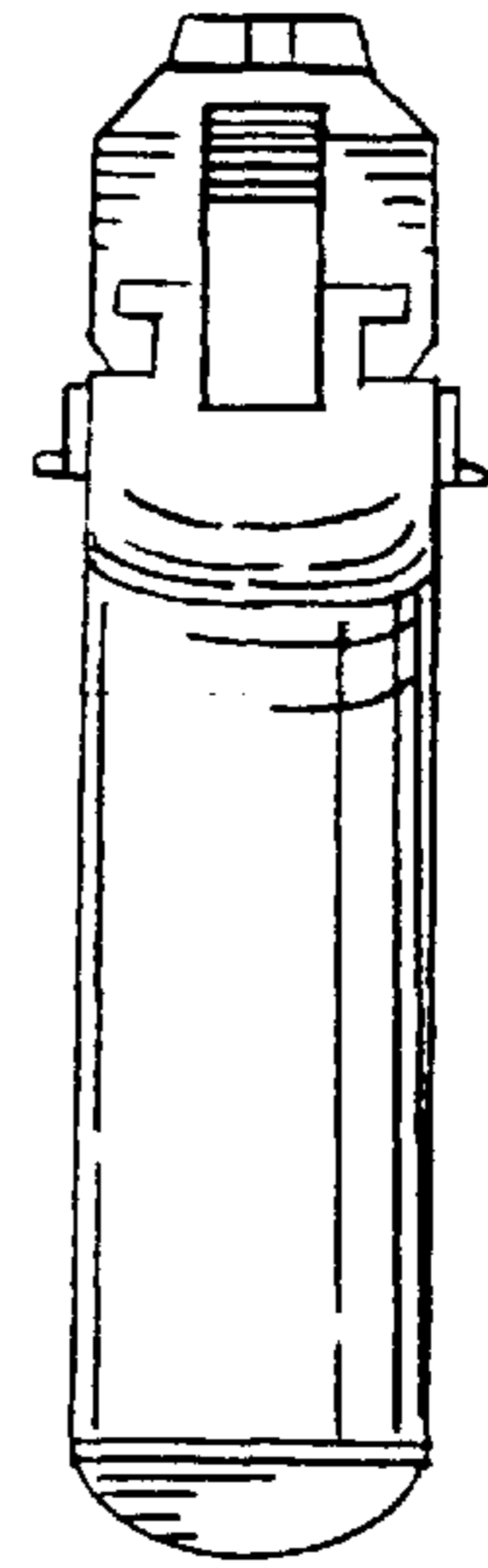


FIG. 7

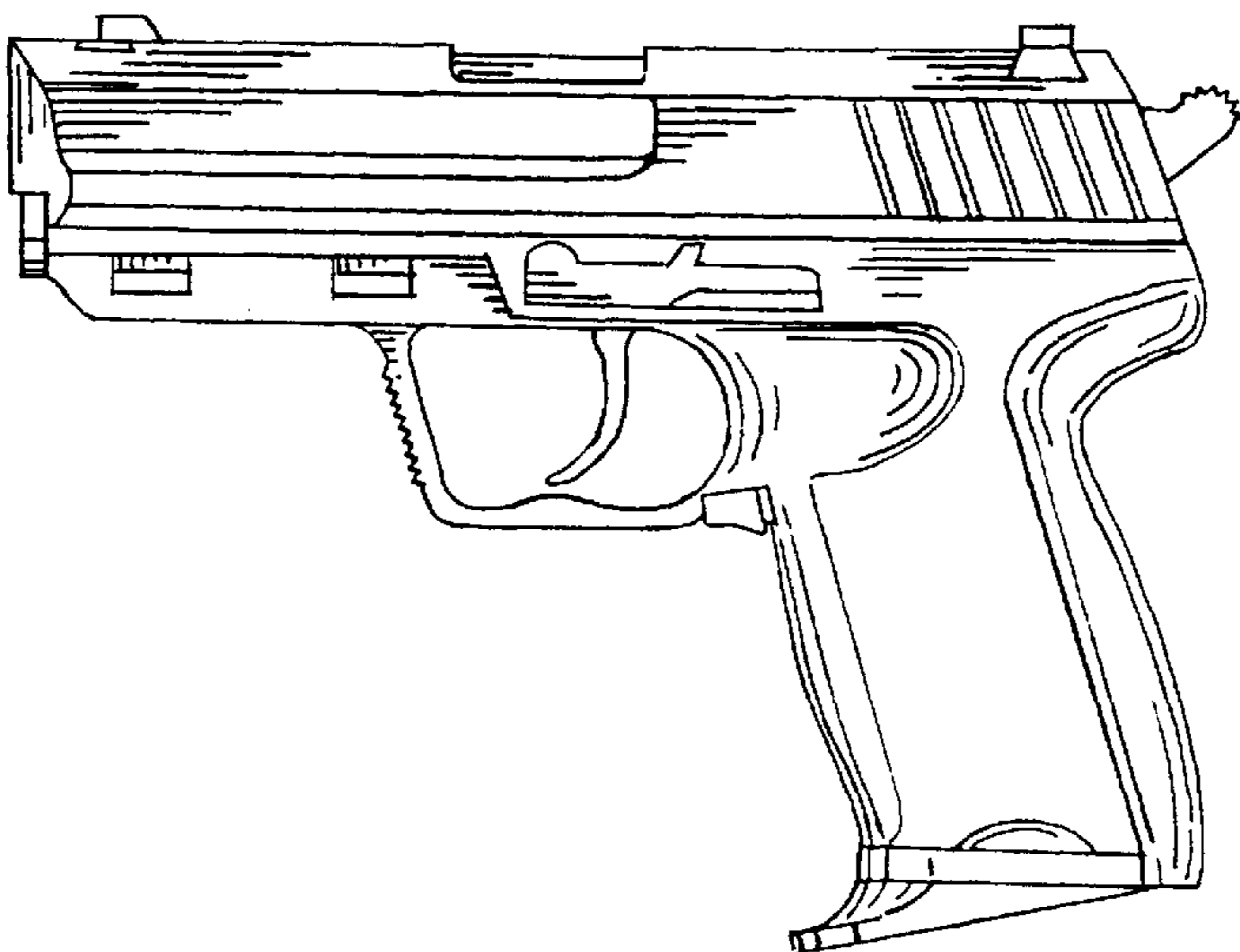


FIG. 6

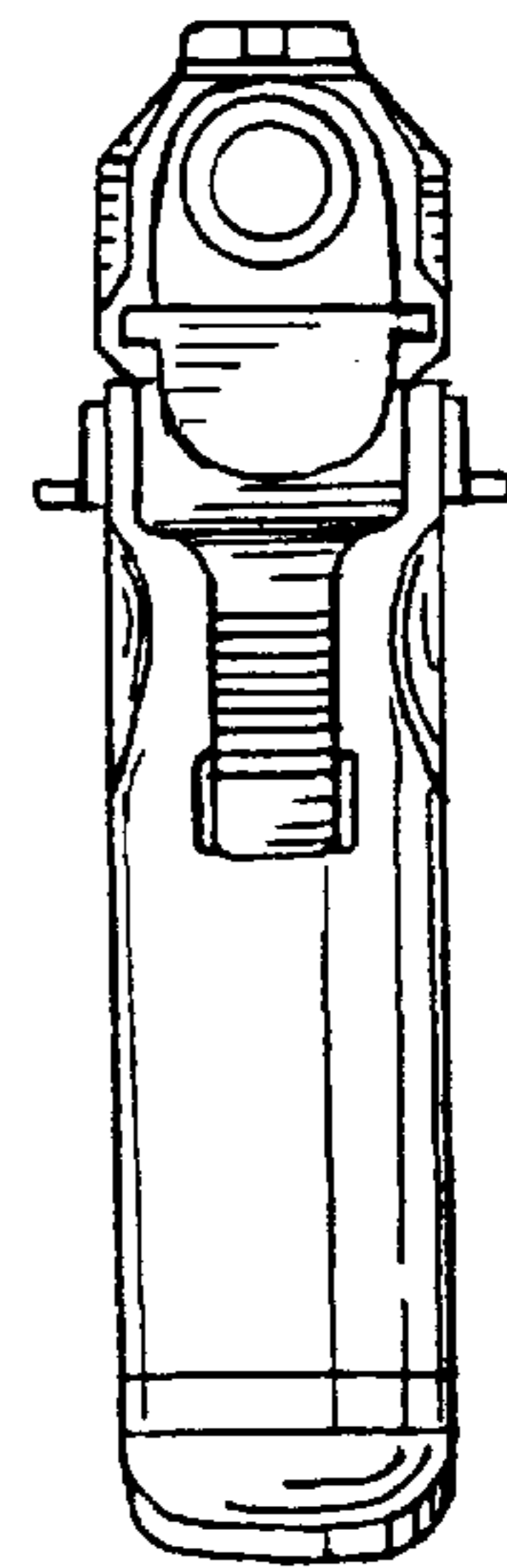


FIG. 8