



US00D464699S

(12) **United States Design Patent**
Brice

(10) **Patent No.:** **US D464,699 S**

(45) **Date of Patent:** **** Oct. 22, 2002**

(54) **SWIMMER'S STARTING BLOCK**

(76) **Inventor:** **Keith M. Brice**, 11813 16th Ave. NW.,
Gig Harbor, WA (US) 98332

(**) **Term:** **14 Years**

(21) **Appl. No.:** **29/117,425**

(22) **Filed:** **Jan. 21, 2000**

(51) **LOC (7) Cl.** **21-06**

(52) **U.S. Cl.** **D21/802**

(58) **Field of Search** D21/801, 802;
434/254; 472/85; 473/451; 200/52 R, 86 R,
86.5

(56) **References Cited**

U.S. PATENT DOCUMENTS

3,916,214 A	*	10/1975	Coble, Jr. et al.	200/52 R
3,944,763 A	*	3/1976	Beierwaltes	200/52 R
D240,220 S	*	6/1976	Moyer	D21/802
D240,811 S	*	8/1976	Beall	D21/802
4,117,283 A	*	9/1978	Hureller et al.	200/86 R

4,134,583 A	*	1/1979	Davidson	472/85
4,194,101 A	*	3/1980	Berseth	200/52 R
5,977,493 A	*	11/1999	Tanaka	200/52 R

* cited by examiner

Primary Examiner—Kay H. Chin

(57) **CLAIM**

The ornamental design for a swimmer's starting block, as shown and described.

DESCRIPTION

FIG. 1 is a perspective view of the swimmer's starting block of the present invention;

FIG. 2 is a front elevation view thereof;

FIG. 3 is a rear elevation view thereof;

FIG. 4 is a left side elevation view thereof;

FIG. 5 is a right side elevation view thereof;

FIG. 6 is a top plan view thereof; and,

FIG. 7 is a bottom plan view thereof.

All materials are fiberglass except for the bottom that is aluminum and the strobe lighting devices.

1 Claim, 4 Drawing Sheets

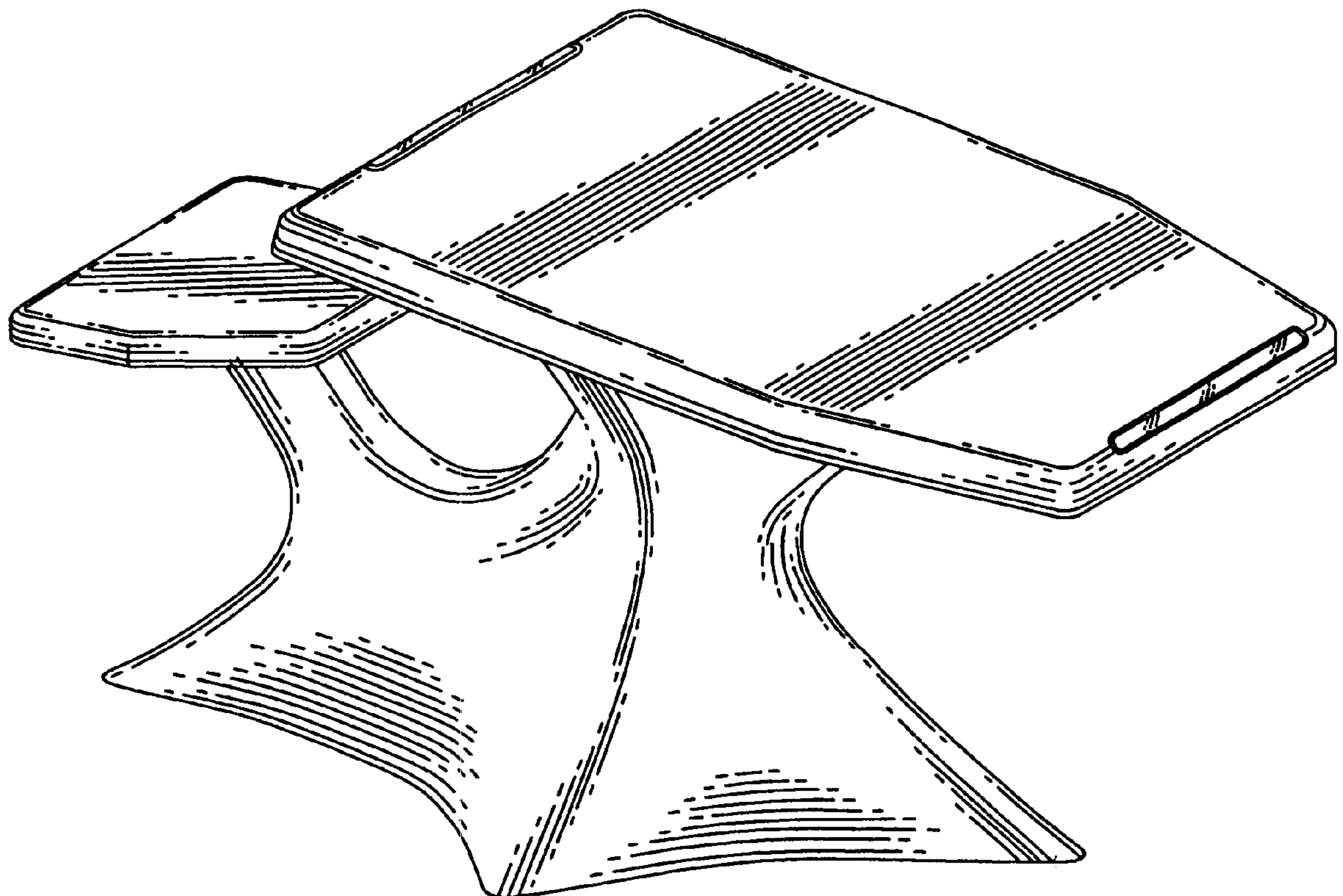


FIG. 1

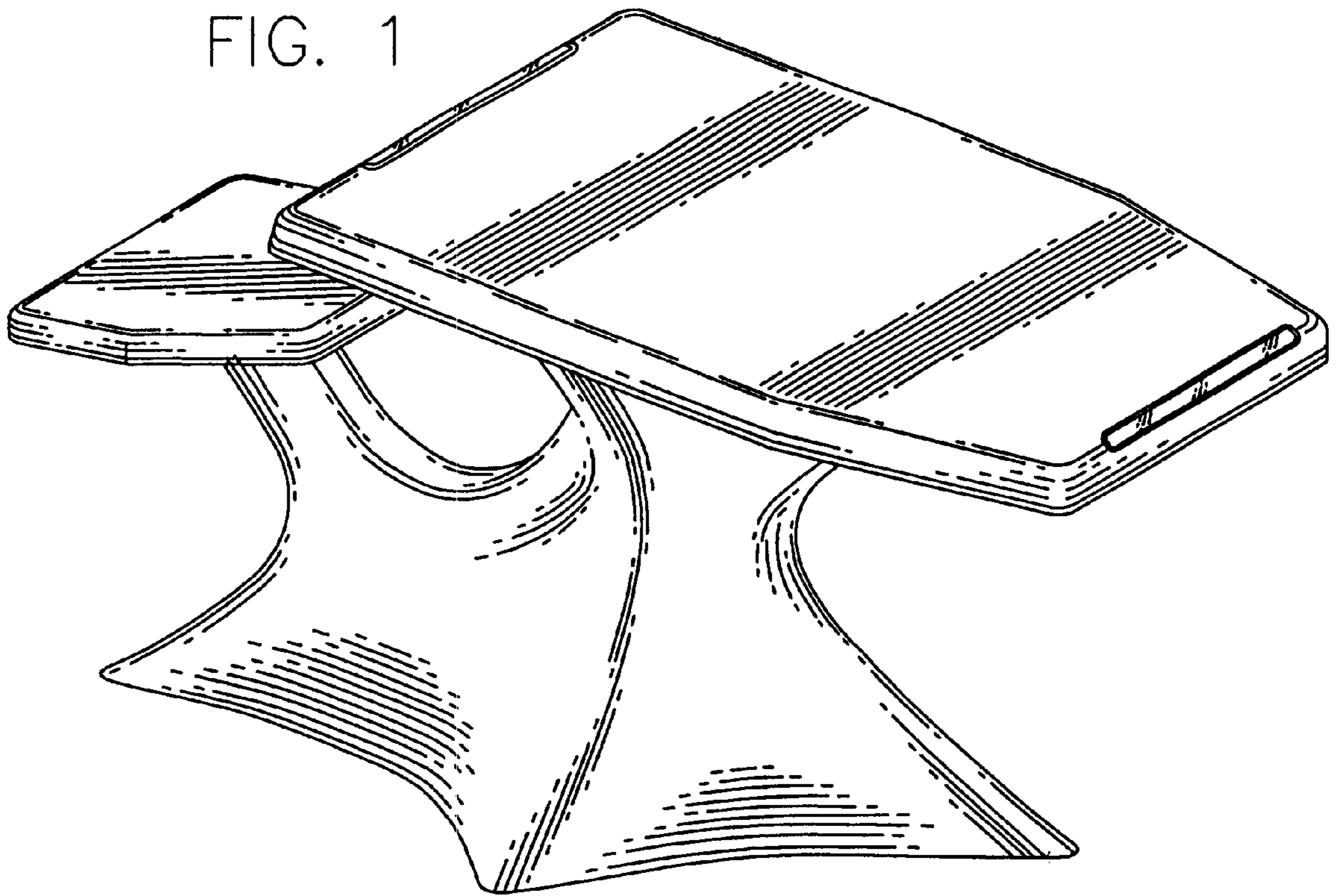


FIG. 2

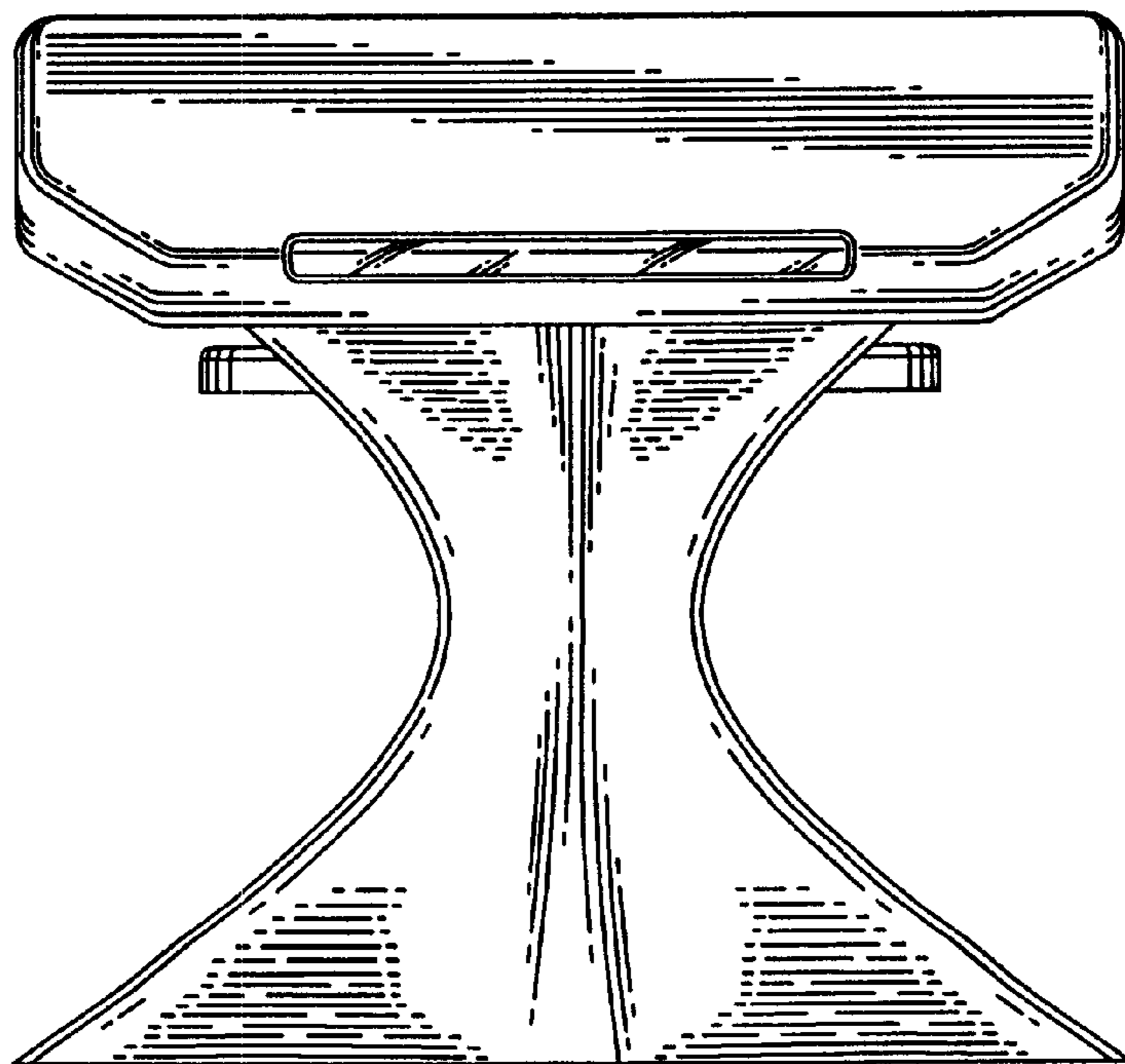


FIG. 3

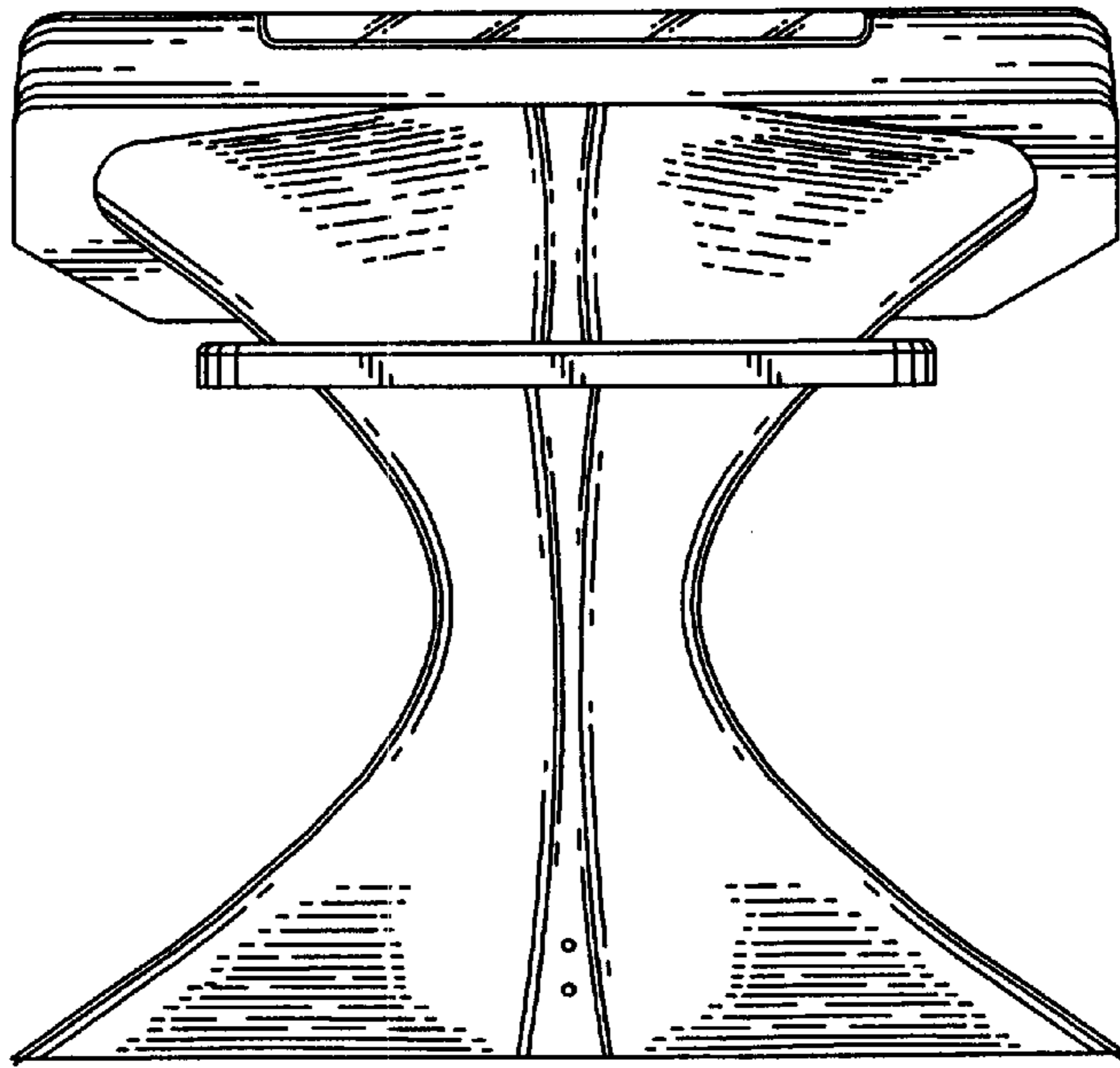


FIG. 4

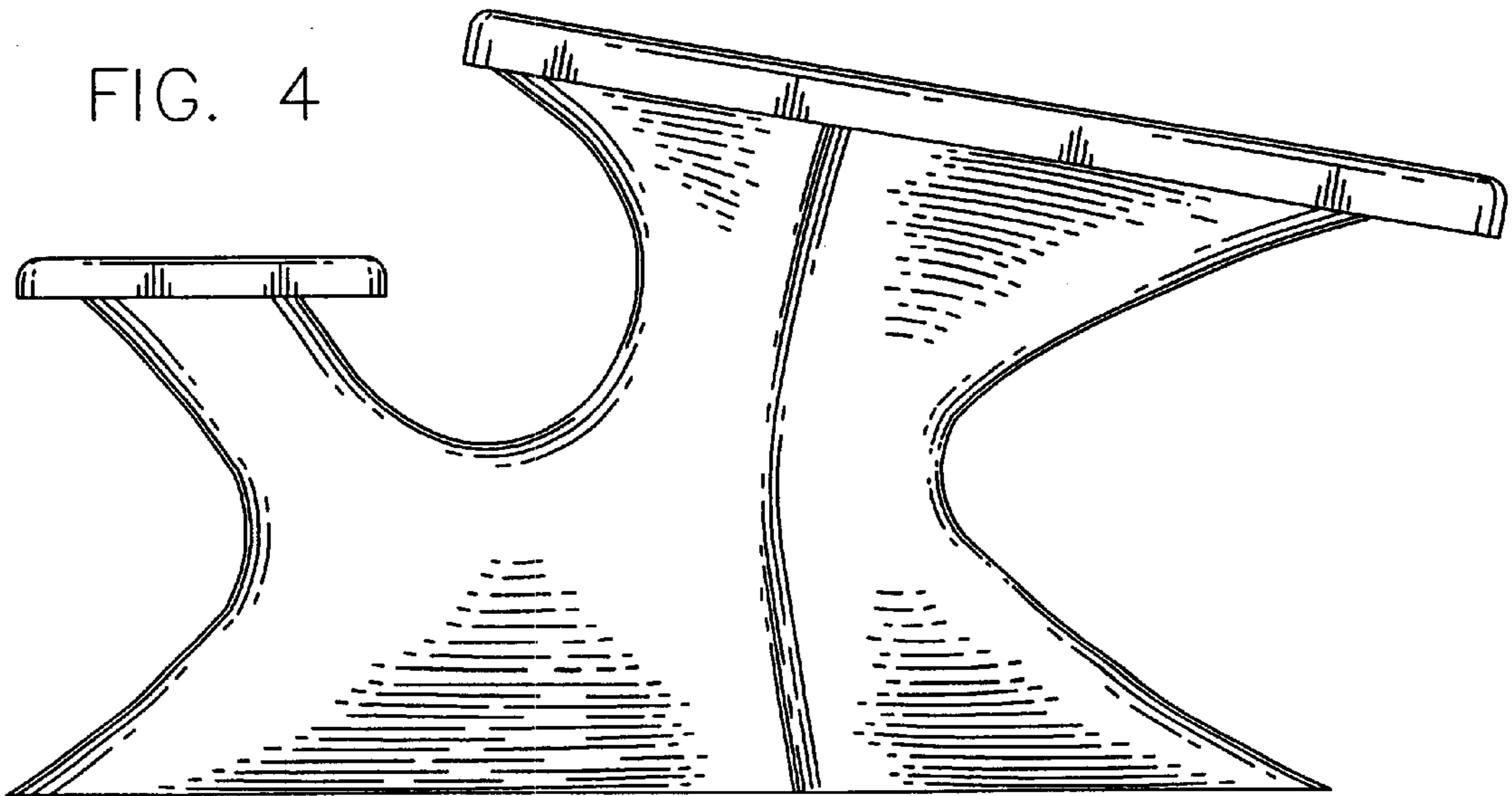


FIG. 5

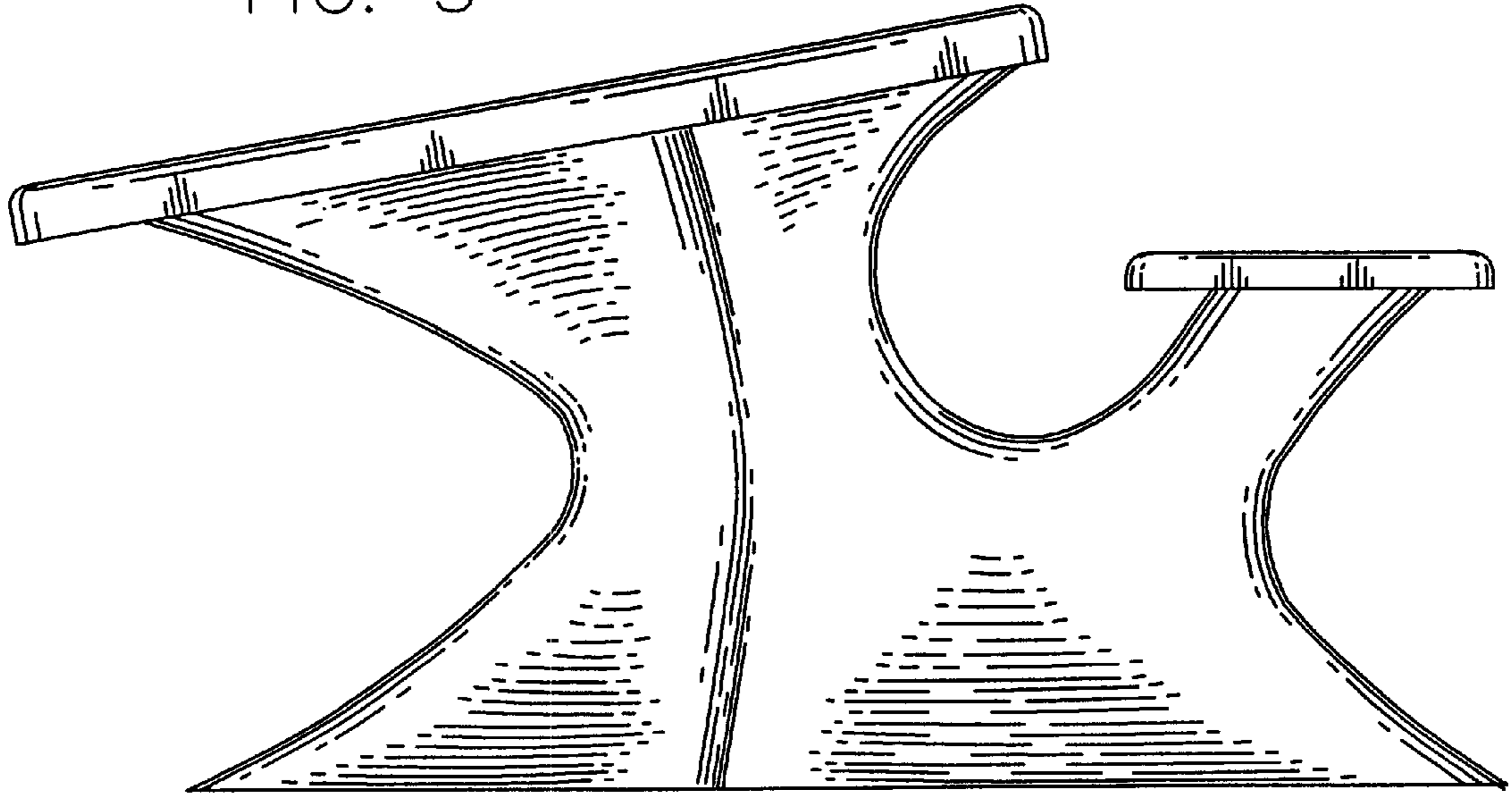


FIG. 6

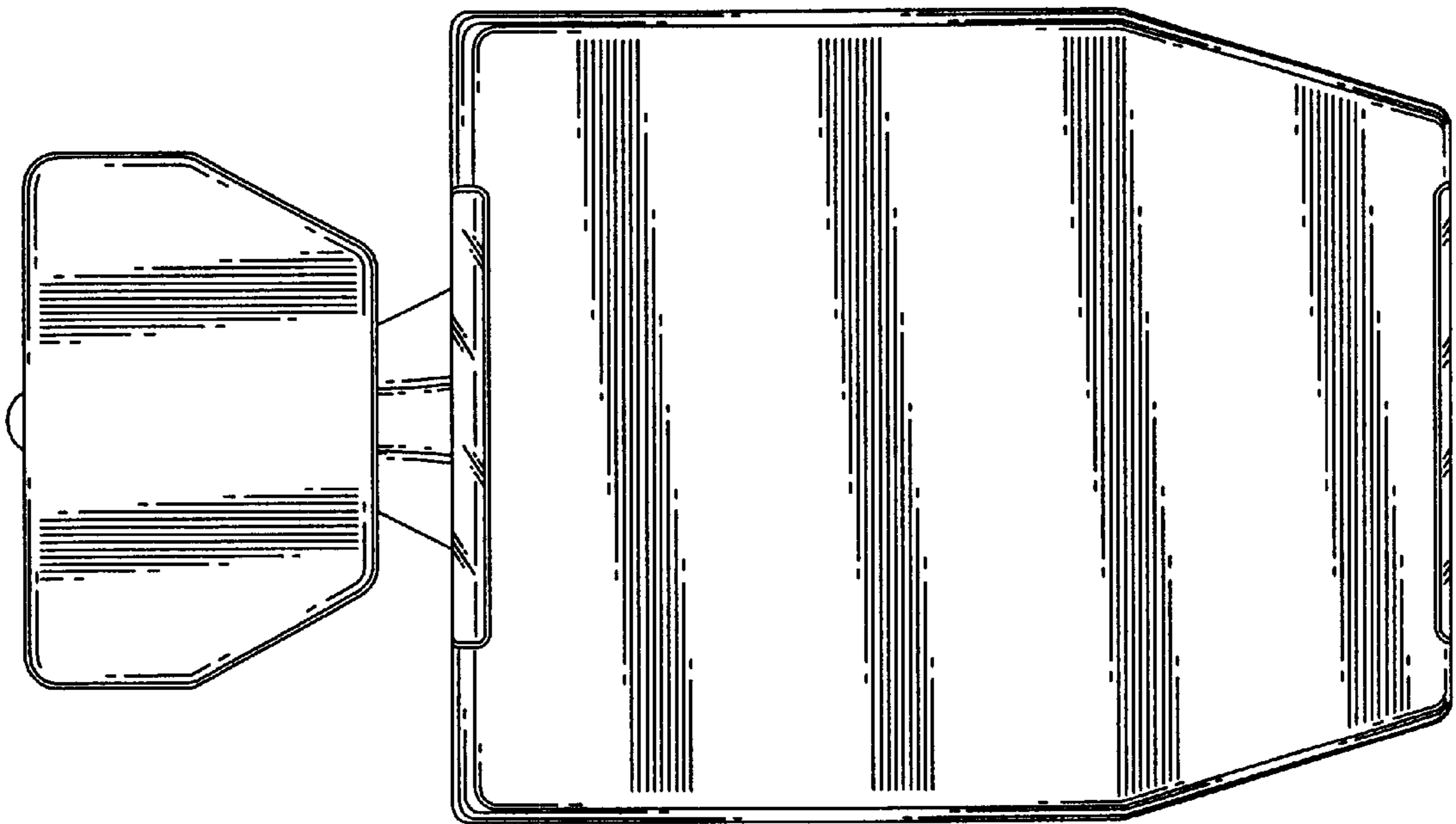


FIG. 7

