



US00D464695S

(12) **United States Design Patent**
Long

(10) **Patent No.:** **US D464,695 S**

(45) **Date of Patent:** **** Oct. 22, 2002**

(54) **GOLF PUTTER WITH OFFSET HOSEL**

(75) Inventor: **D. Clayton Long**, Carlsbad, CA (US)

(73) Assignee: **Plus 2 International, Inc.**, Carlsbad, CA (US)

(**) Term: **14 Years**

(21) Appl. No.: **29/157,932**

(22) Filed: **Mar. 26, 2002**

Related U.S. Application Data

(62) Division of application No. 29/145,562, filed on Jul. 25, 2001.

(51) **LOC (7) Cl.** **21-02**

(52) **U.S. Cl.** **D21/759**

(58) **Field of Search** D21/736-746,
D21/753, 759; 473/251-256, 340, 341

(56) **References Cited**

U.S. PATENT DOCUMENTS

D259,732 S	*	6/1981	Vella	D21/759
5,489,097 A		2/1996	Simmons		
D380,245 S	*	6/1997	Meyer	D21/743
D381,728 S	*	7/1997	Cameron	D21/759
5,690,562 A		11/1997	Sturm		
D388,488 S	*	12/1997	Cameron	D21/759
D410,982 S	*	6/1999	Solheim et al.	D21/759
5,944,619 A		8/1999	Cameron		
D422,660 S	*	4/2000	Grace et al.	D21/759
D428,086 S	*	7/2000	Solheim	D21/743
6,083,117 A		7/2000	Hsu		

D435,275 S	*	12/2000	Sizemore, Jr.	D21/736
D436,151 S	*	1/2001	Nicolette et al.	D21/759
D438,273 S	*	2/2001	Sizemore, Jr.	D21/736
D439,295 S	*	3/2001	Sizemore, Jr.	D21/736
6,231,458 B1		5/2001	Cameron et al.		
D443,668 S	*	6/2001	Nicolette et al.	D21/759

* cited by examiner

Primary Examiner—Mitchell Siegel

(74) *Attorney, Agent, or Firm*—Dale Lischer; Eric J. Hanson; Herbert M. Hanegan

(57) **CLAIM**

The ornamental design for a golf putter with offset hosel, as shown.

DESCRIPTION

FIG. 1 is a back perspective of the golf putter, partially in phantom, in accordance with the present invention.
 FIG. 2 is a top plan view of a golf putter, partially in phantom, in accordance with the present invention.
 FIG. 3 is a front elevation view of a golf putter, partially in phantom, in accordance with the present invention.
 FIG. 4 is a bottom plan view of a golf putter, partially in phantom, in accordance with the present invention.
 FIG. 5 is a back elevation view of a golf putter, partially in phantom, in accordance with the present invention.
 FIG. 6 is a side (toe) elevation view of a golf putter, partially in phantom, in accordance with the present invention; and,
 FIG. 7 is a side (heel) elevation view of a golf putter, partially in phantom, in accordance with the present invention.

1 Claim, 4 Drawing Sheets

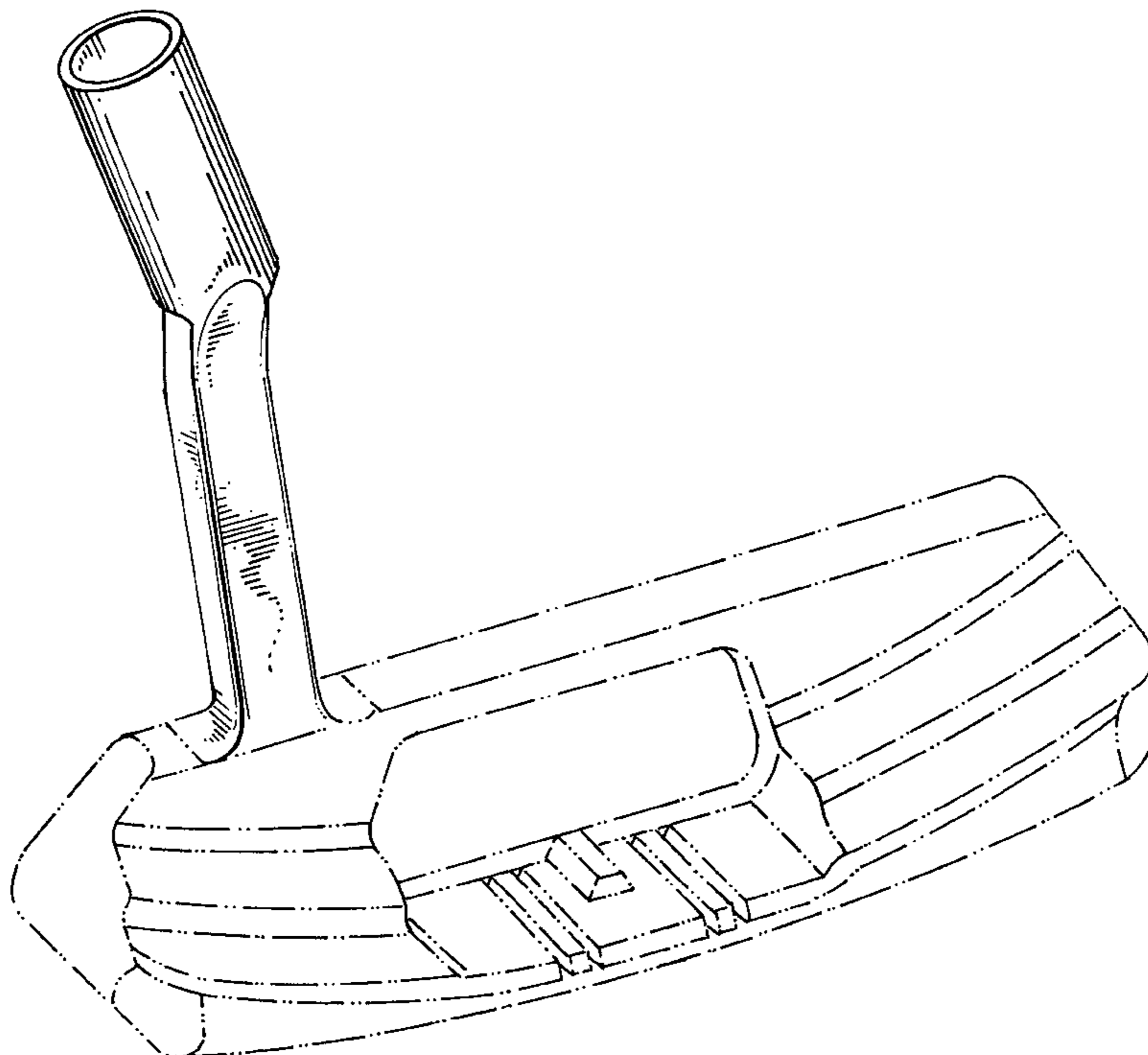
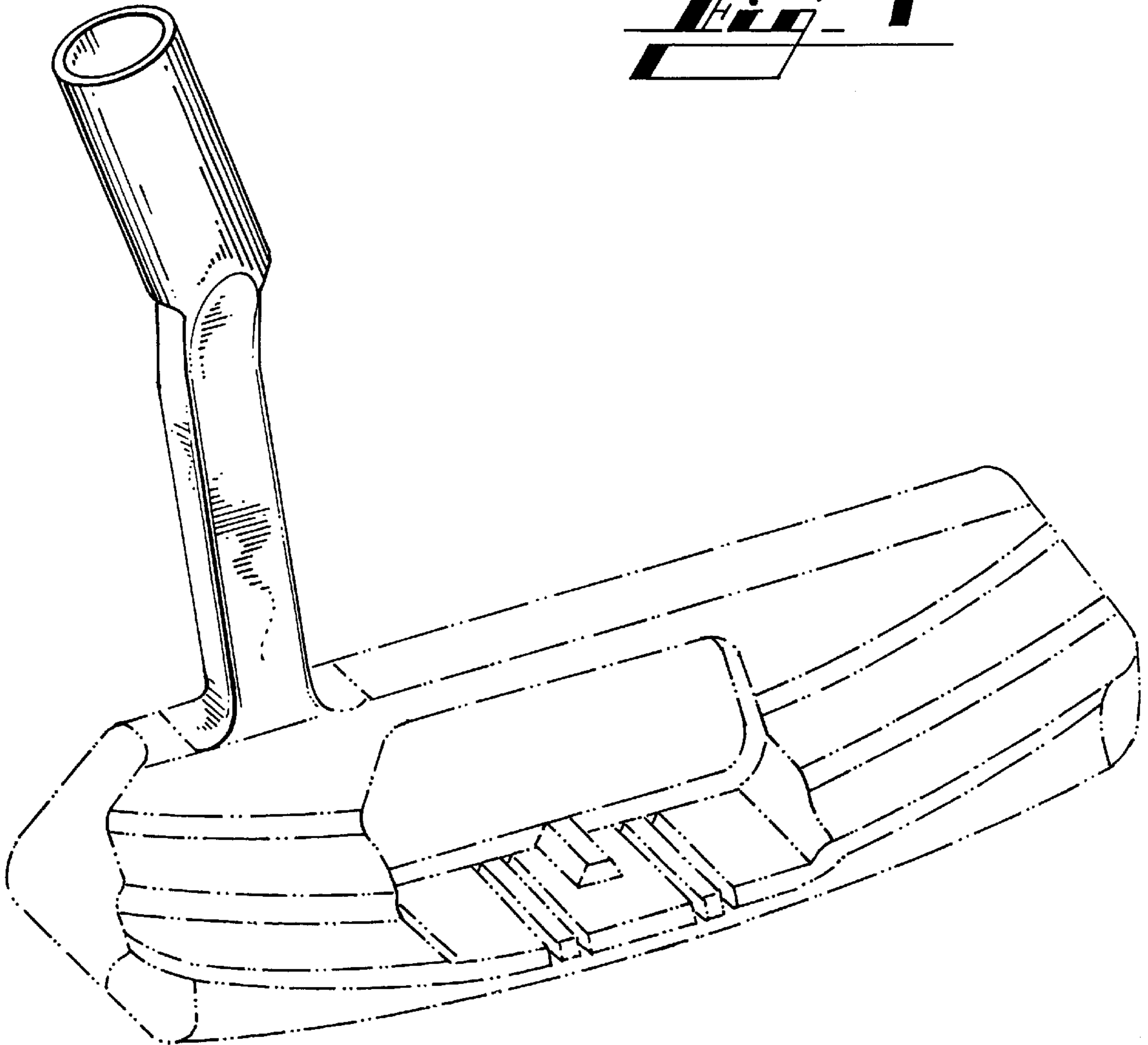


Fig. 1



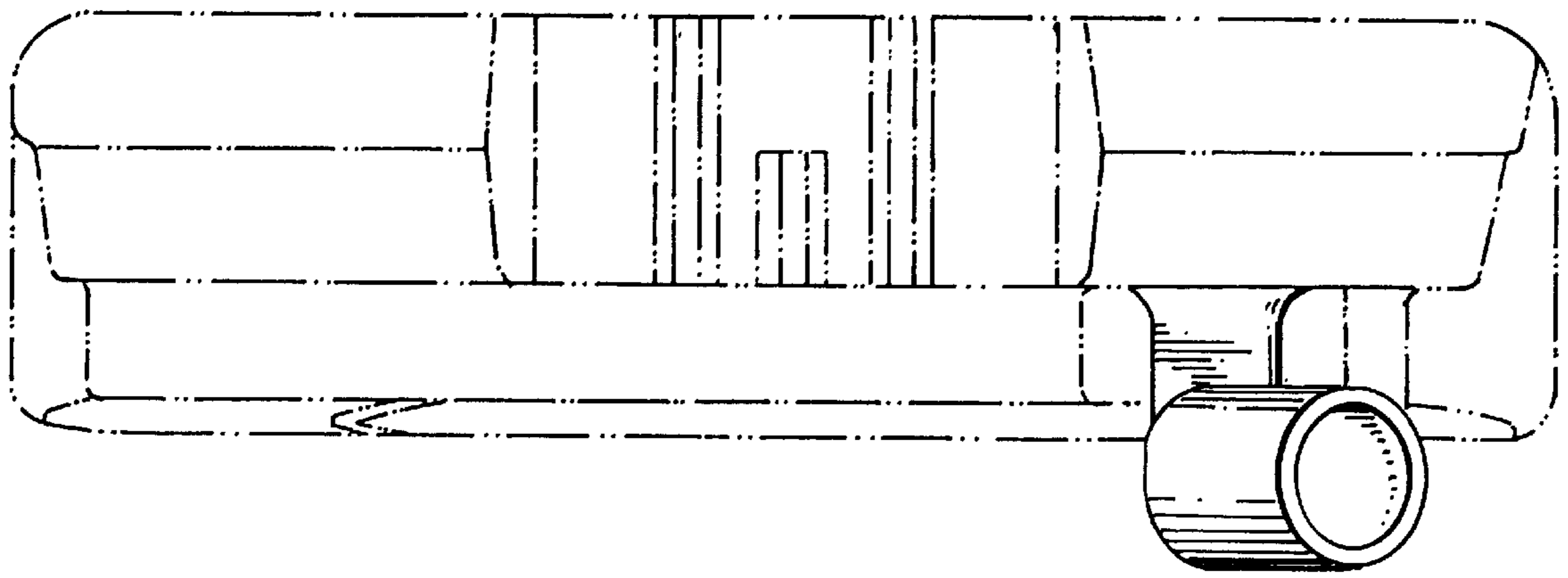
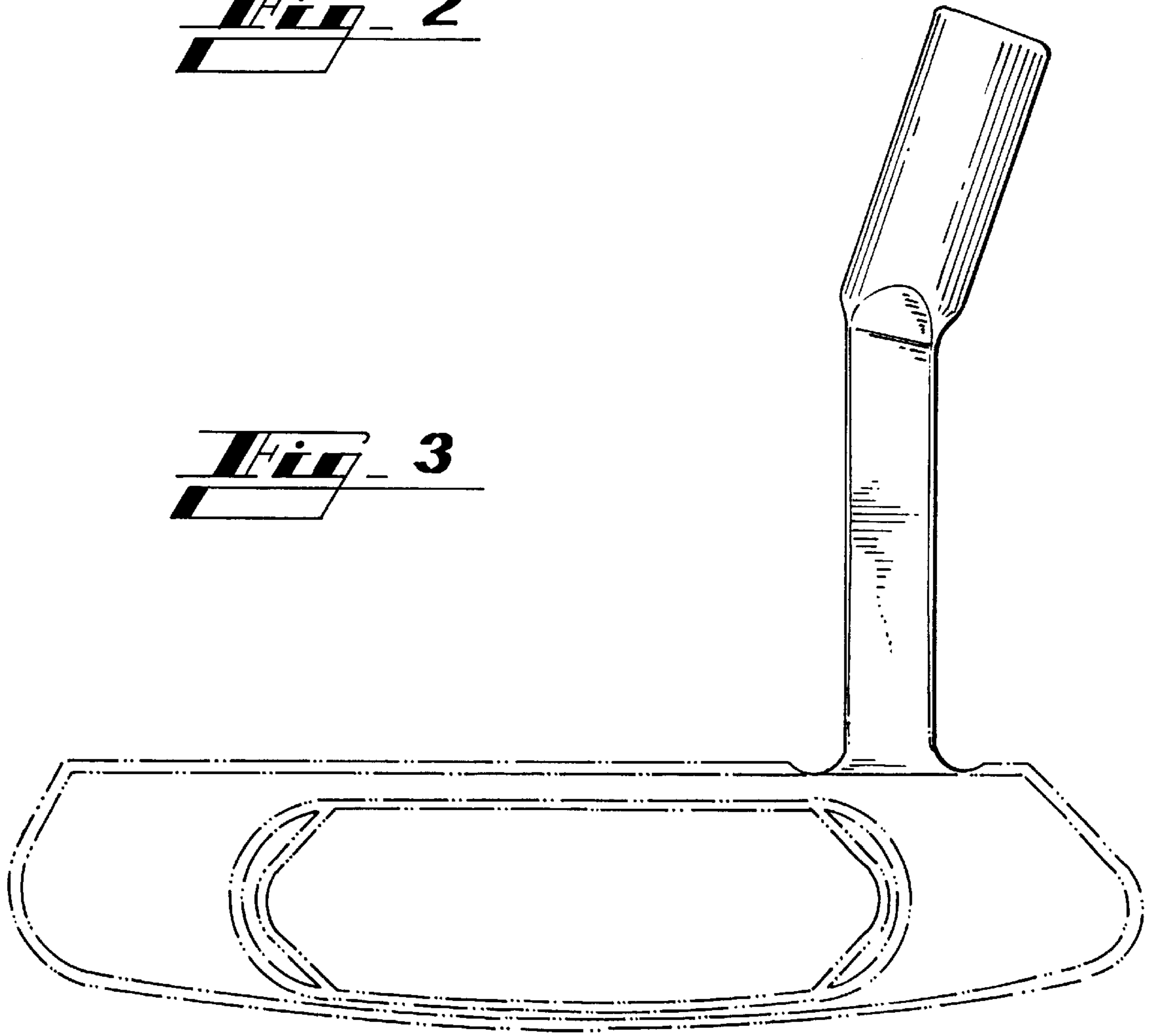
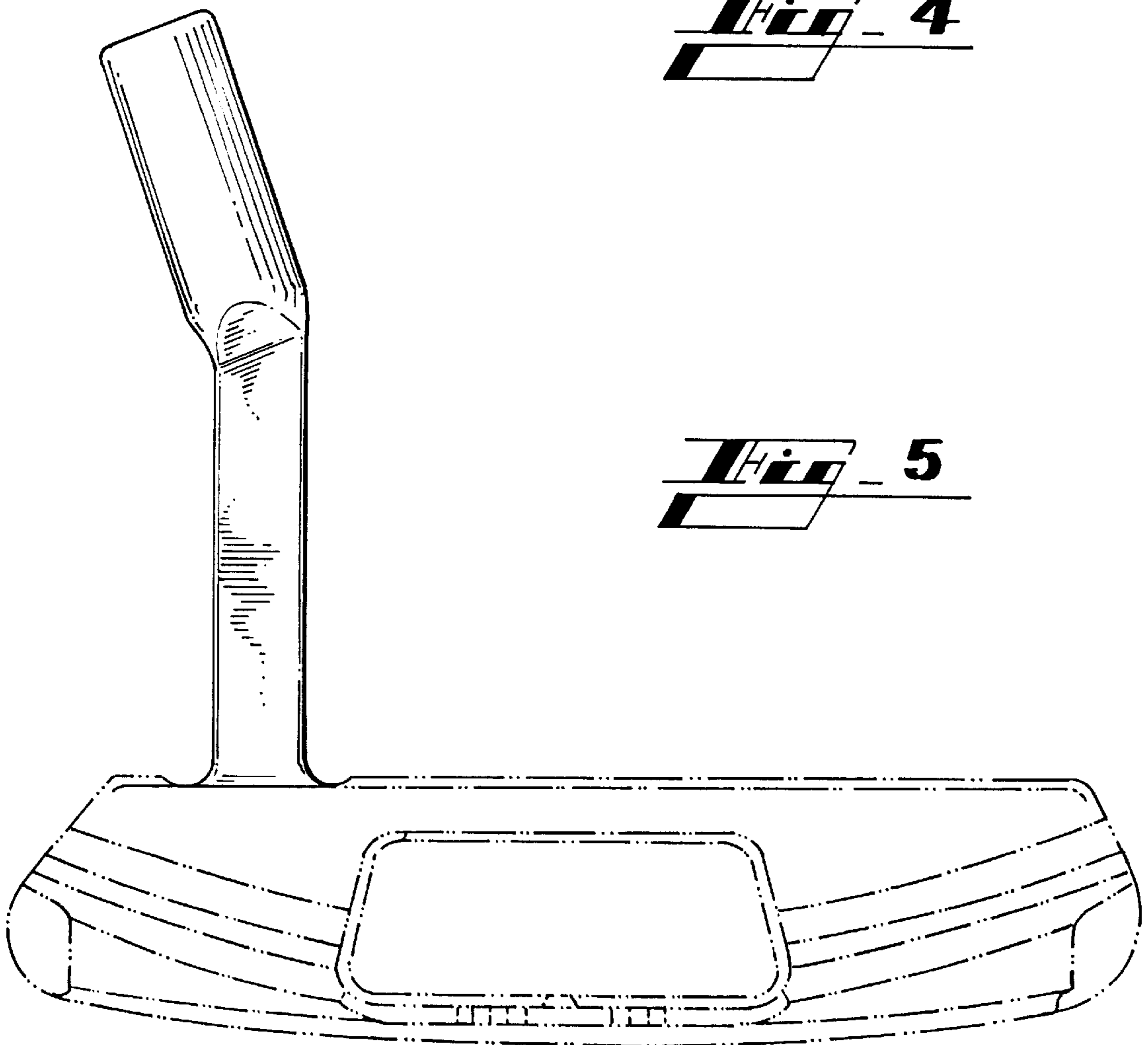
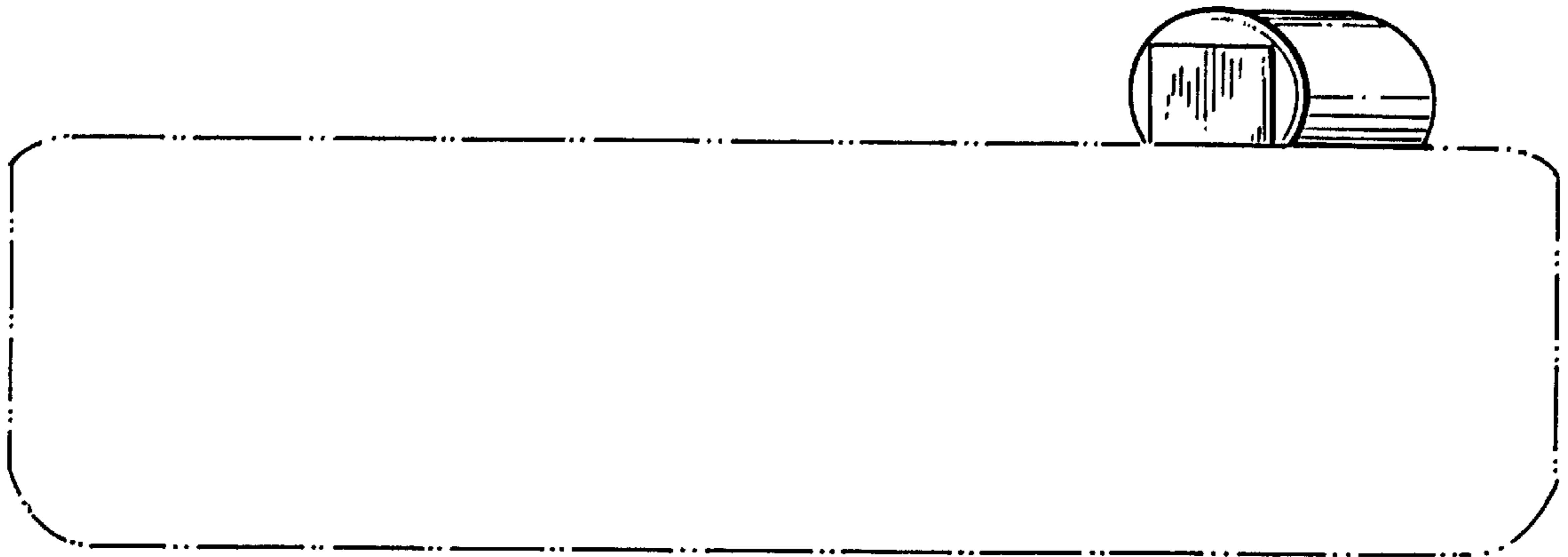


Fig. 2

Fig. 3





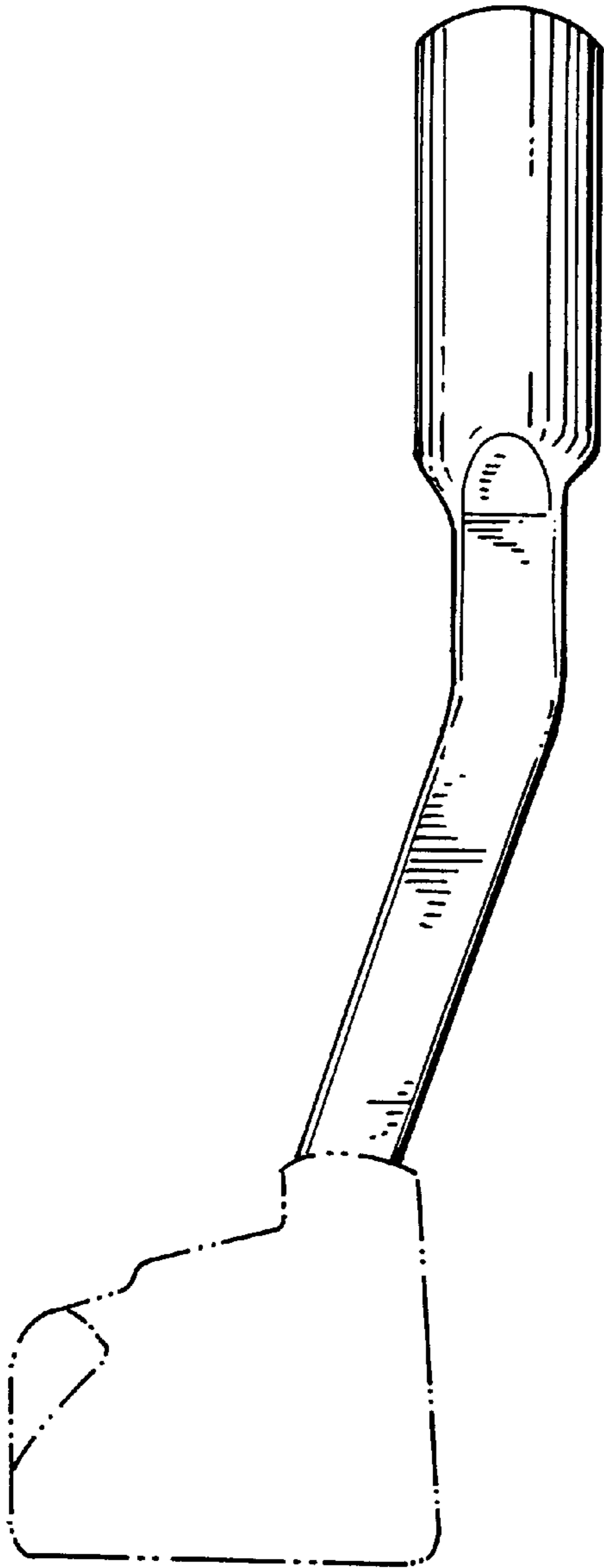


Fig. 6

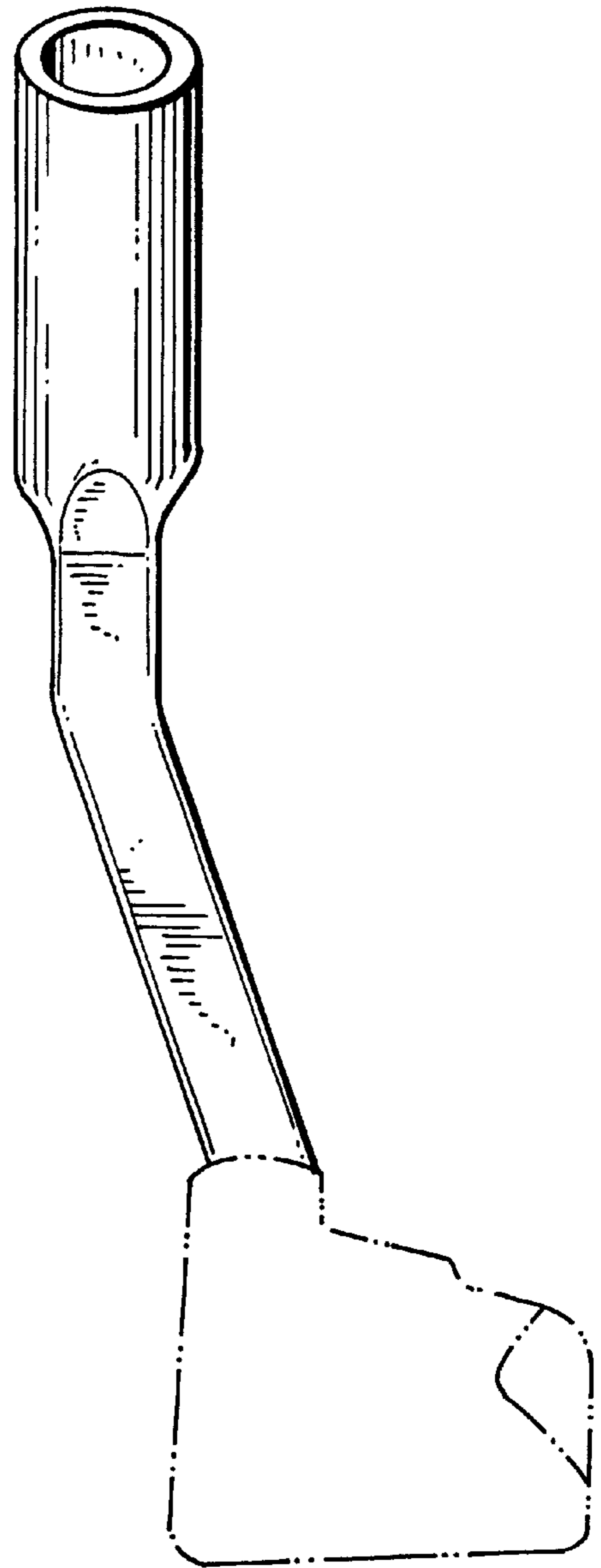


Fig. 7