



US00D464690S

(12) **United States Design Patent**
San-Ching

(10) **Patent No.:** **US D464,690 S**

(45) **Date of Patent:** **** Oct. 22, 2002**

(54) **TREADMILL**

D445,152 S * 7/2001 Wang et al. D21/669
D450,792 S * 11/2001 Kuo D21/669

(75) Inventor: **Wu San-Ching**, Spiracha (TH)

* cited by examiner

(73) Assignee: **Fitness Quest Inc.**, Canton, OH (US)

Primary Examiner—Philip S. Hyder

(**) Term: **14 Years**

(74) *Attorney, Agent, or Firm*—Benesch, Friedlander, Coplan & Aronoff LLP

(21) Appl. No.: **29/153,095**

(57) **CLAIM**

(22) Filed: **Jan. 4, 2002**

The ornamental design for a treadmill, as shown and described.

(51) **LOC (7) Cl.** **21-02**

(52) **U.S. Cl.** **D21/669**

(58) **Field of Search** D21/662, 668,
D21/669, 670; 482/51, 52, 54, 70

DESCRIPTION

(56) **References Cited**

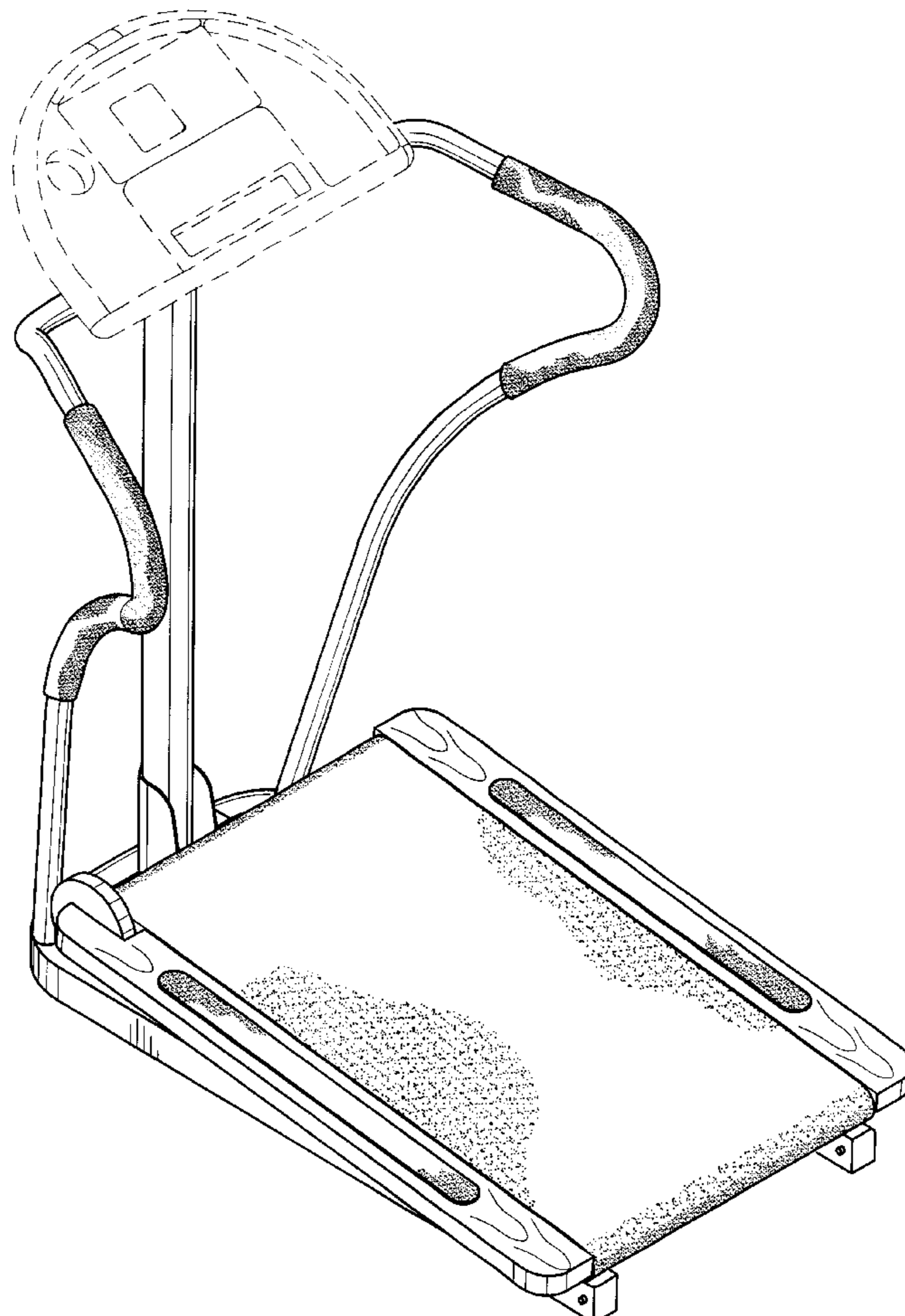
U.S. PATENT DOCUMENTS

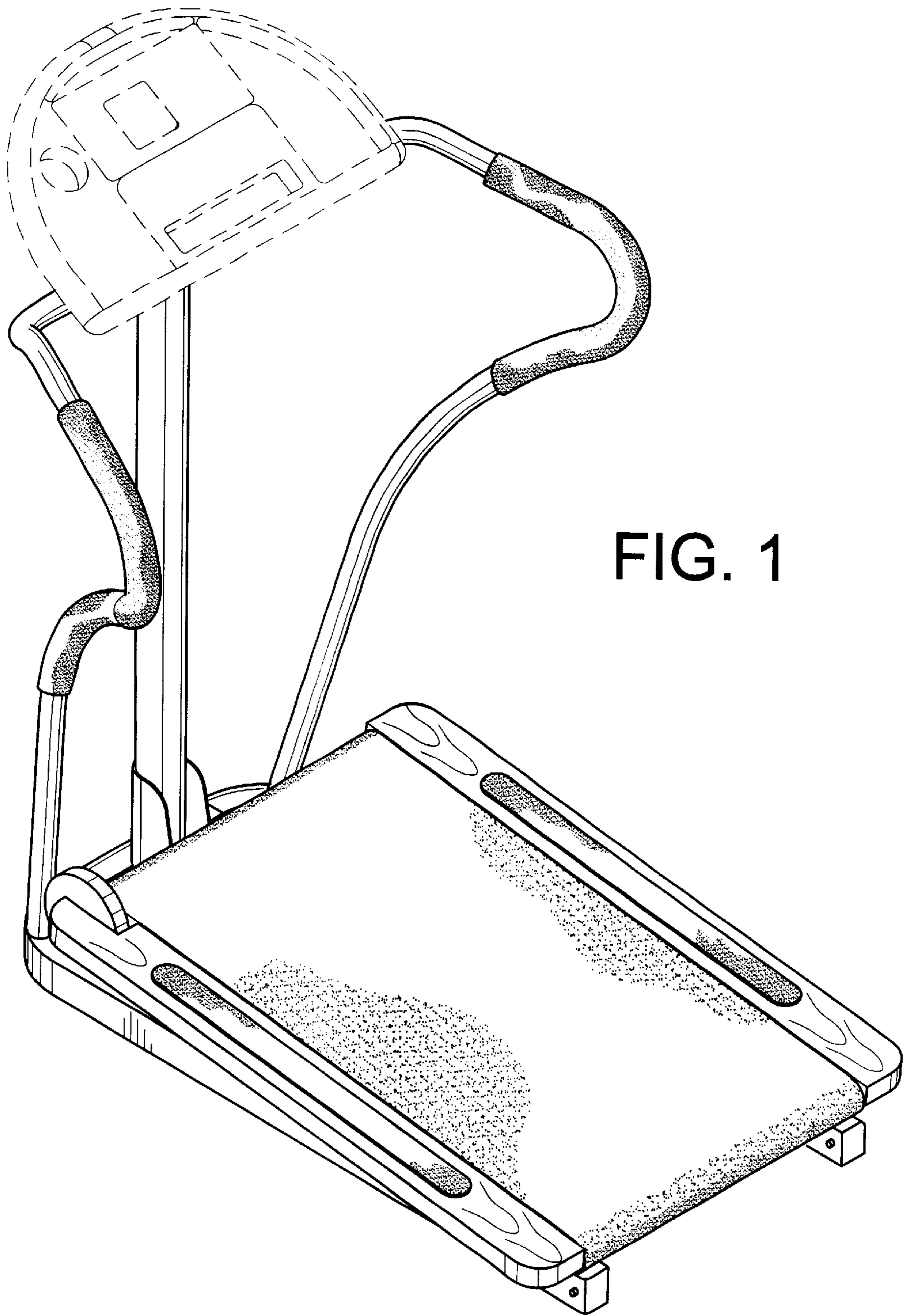
D393,297 S	*	4/1998	McBride et al.	D21/669
5,772,560 A	*	6/1998	Watterson et al.	482/51
5,897,460 A	*	4/1999	McBride et al.	482/51
D414,518 S	*	9/1999	Wang et al.	D21/669
D416,298 S	*	11/1999	Onuma et al.	D21/669
6,019,707 A	*	2/2000	Wang	482/54
6,132,340 A	*	10/2000	Wang et al.	482/51
6,179,754 B1	*	1/2001	Wang et al.	482/21

FIG. 1 is a perspective view as seen from the top, front, and left side of a treadmill showing my new design; FIG. 2 is a second perspective view showing my design; FIG. 3 is a top plan view thereof; FIG. 4 is a left side elevational view thereof; FIG. 5 is a right side elevational view thereof; FIG. 6 is a front elevational view thereof; and, FIG. 7 is a rear elevational view thereof.

The portion of the treadmill shown in broken lines in FIG. 1 is shown for illustrative purposes only and forms no part of the claimed design.

1 Claim, 6 Drawing Sheets





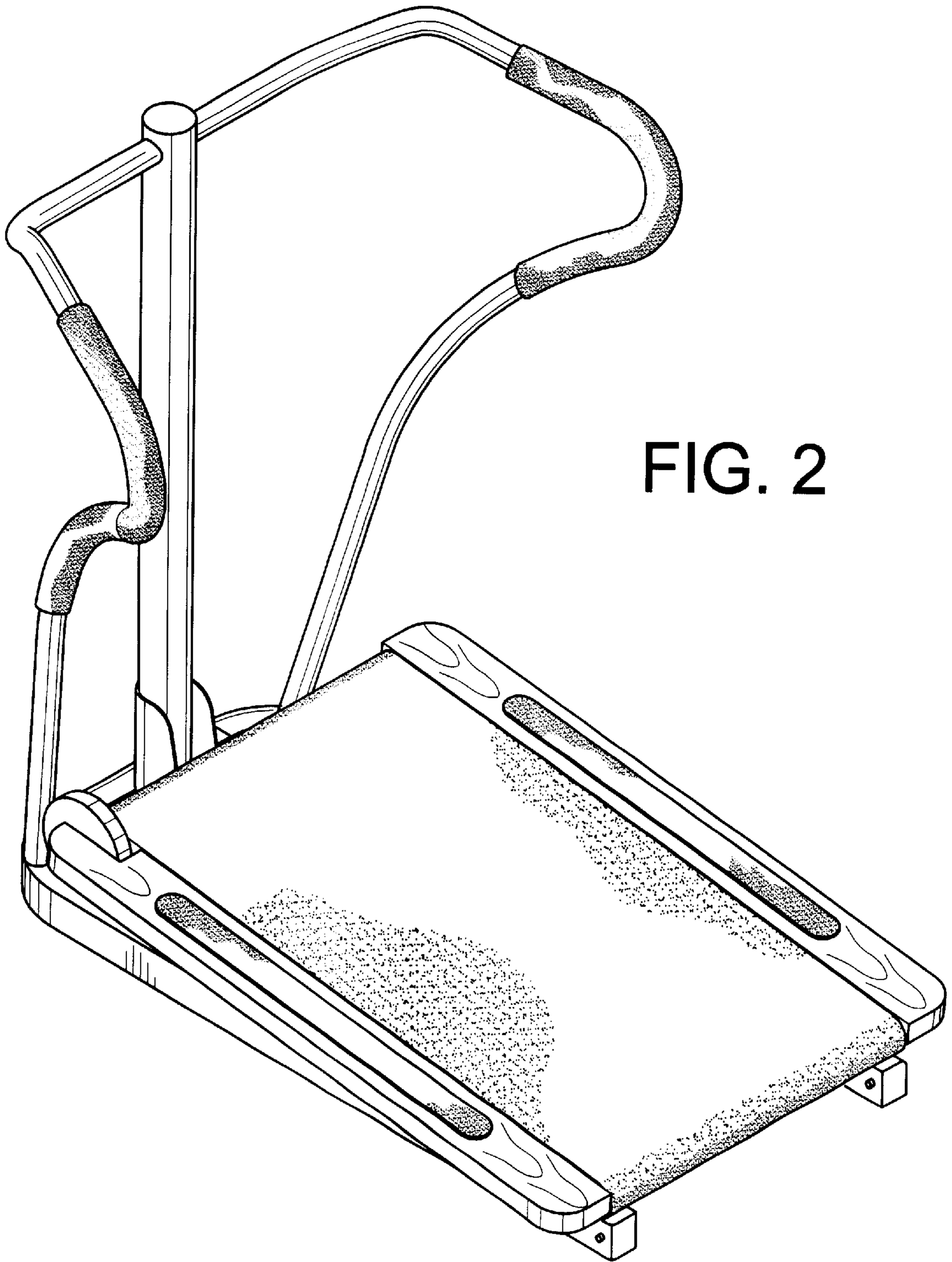


FIG. 2

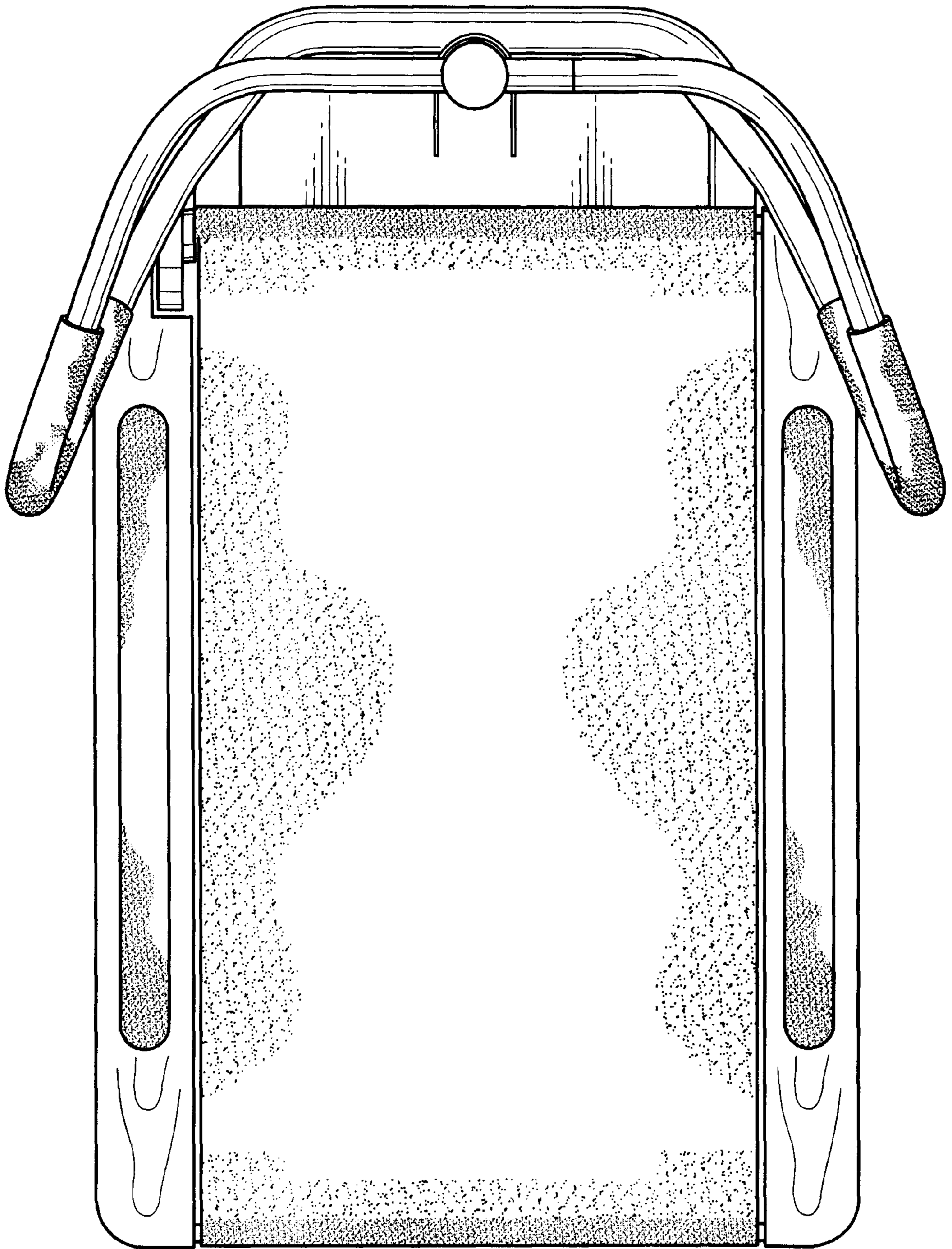


FIG. 3

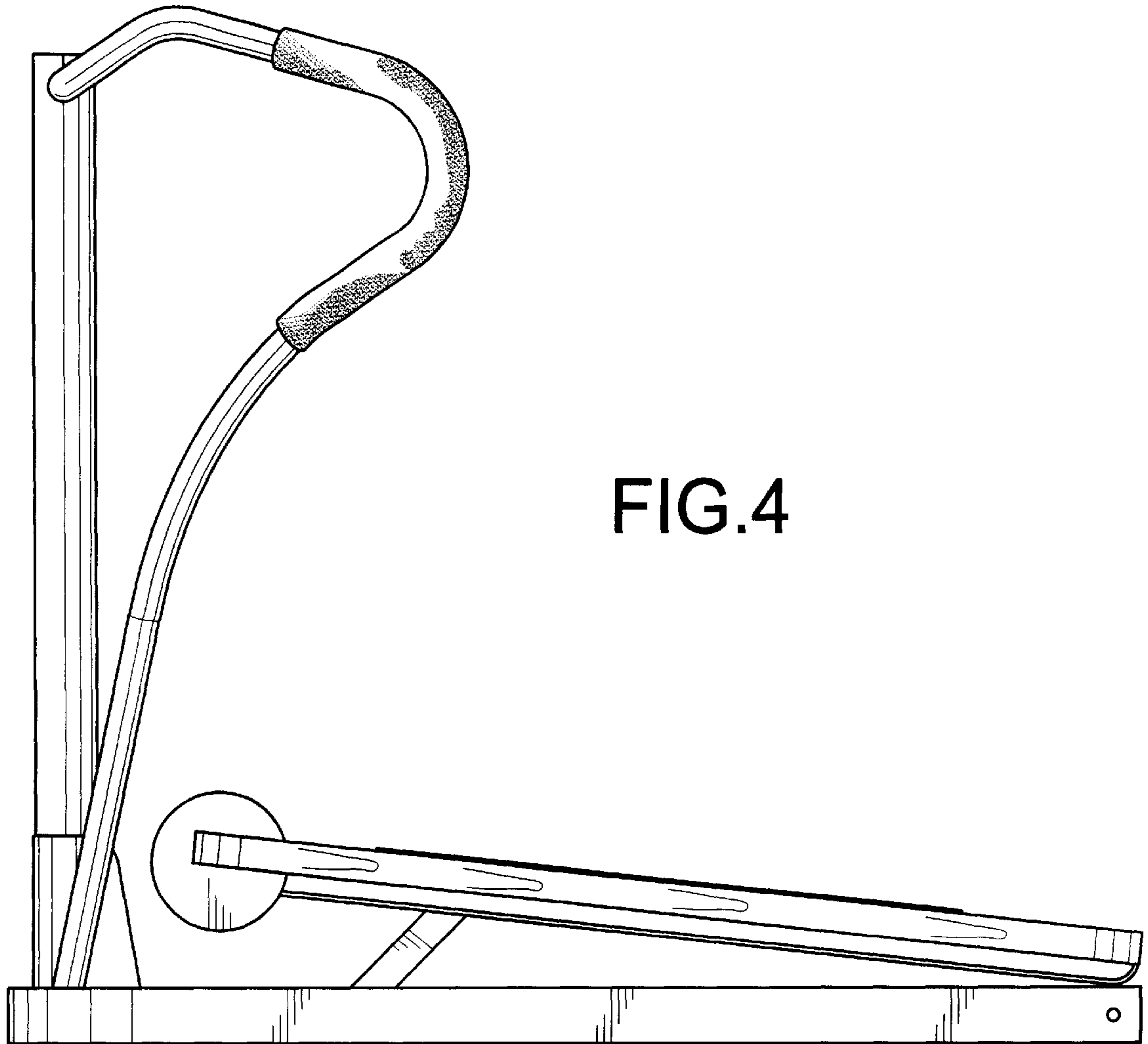


FIG.4

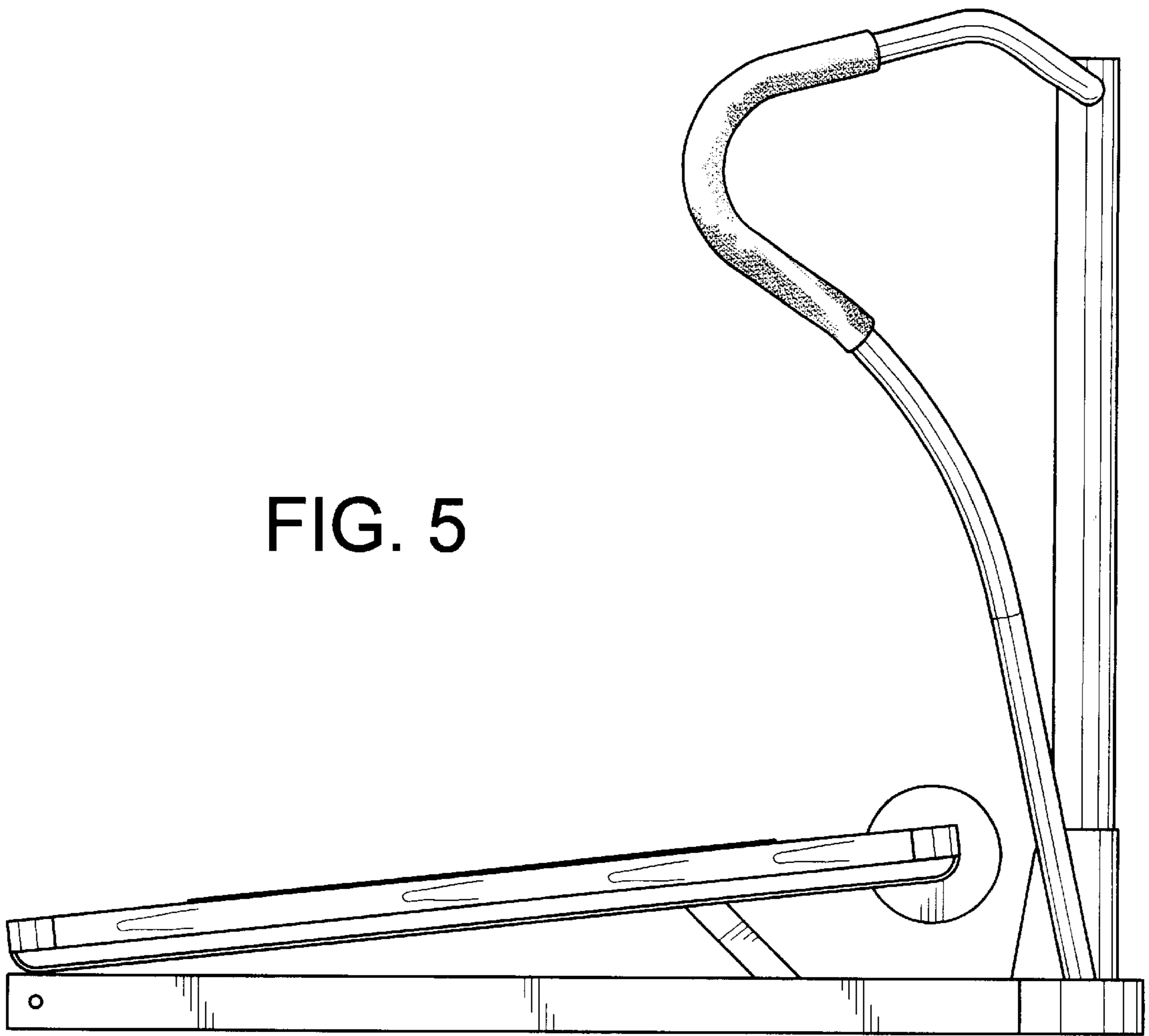


FIG. 5

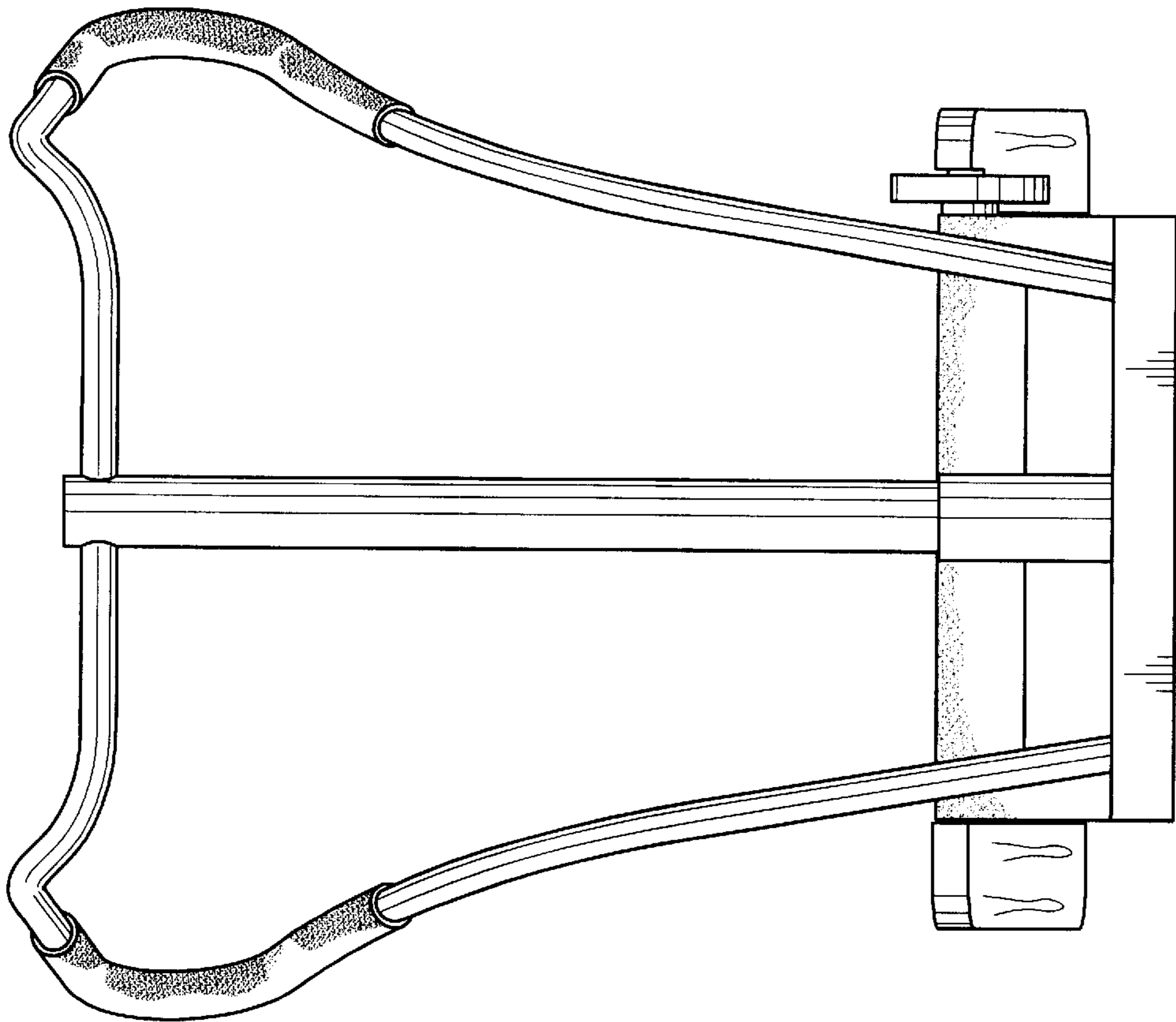


FIG. 7

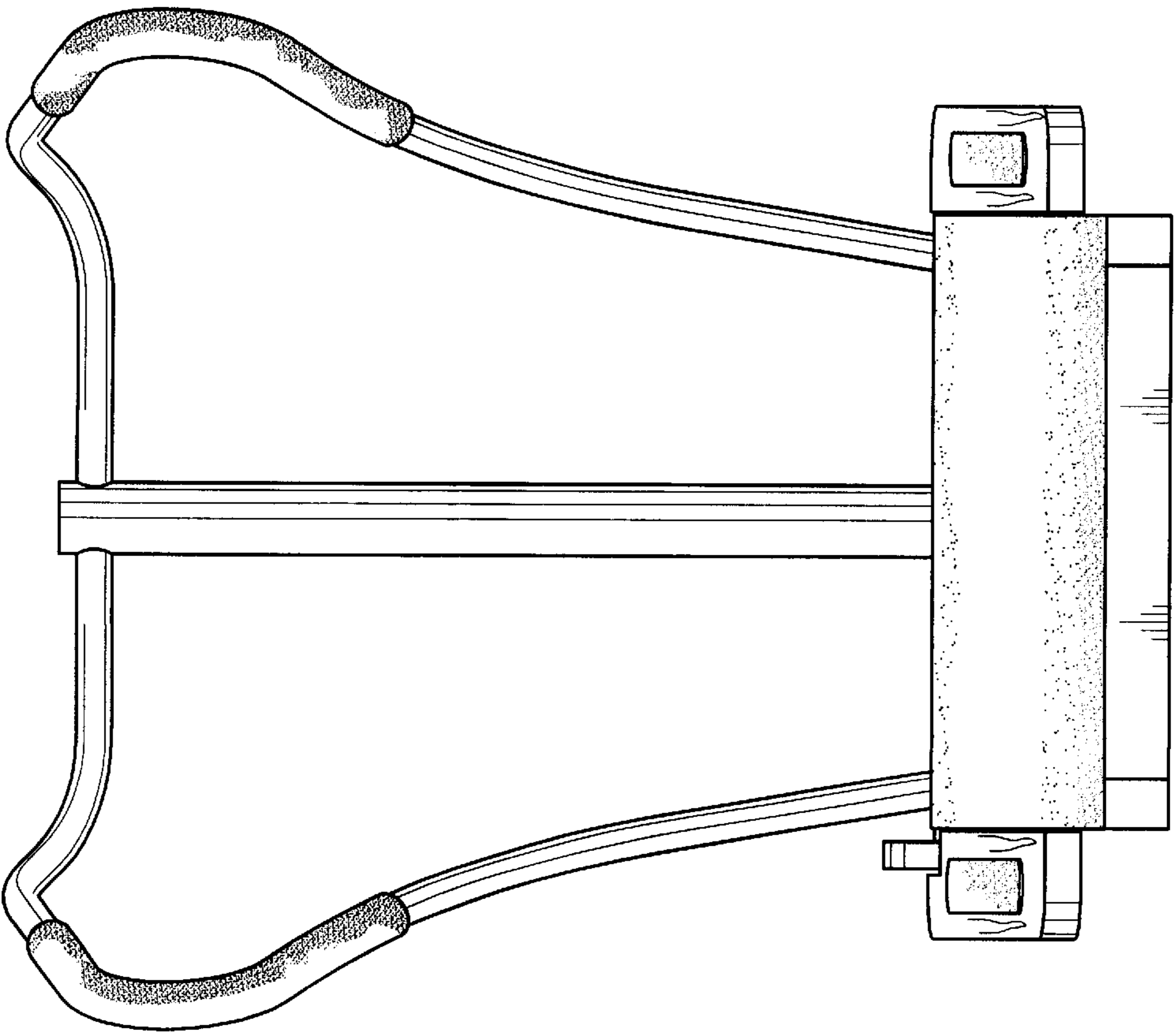


FIG. 6